



Synergy Global Technology Inc

www.RackmountMart.com

Toll Free: 1-888-865-6888

Tel: 510-226-8368 Fax: 510-226-8968

Email: sales@RackmountMart.com

User Manual

33U Door Mount Basic Fan Panel

FC CE  REACH



RA4017-6



RA4017-9

Legal Information

First English printing, October 2002

Information in this document has been carefully checked for accuracy; however, no guarantee is given to the correctness of the contents. The information in this document is subject to change without notice. We are not liable for any injury or loss that results from the use of this equipment.

Safety Instructions

Please read all of these instructions carefully before you use the device. Save this manual for future reference.

- Unplug equipment before cleaning. Don't use liquid or spray detergent; use a moist cloth.
- Keep equipment away from excessive humidity and heat. Preferably, keep it in an air-conditioned environment with temperatures not exceeding 40° Celsius (104° Fahrenheit).
- When installing, place the equipment on a sturdy, level surface to prevent it from accidentally falling and causing damage to other equipment or injury to persons nearby.
- When the equipment is in an open position, do not cover, block or in any way obstruct the gap between it and the power supply. Proper air convection is necessary to keep it from overheating.
- Arrange the equipment's power cord in such a way that others won't trip or fall over it.
- If you are using a power cord that didn't ship with the equipment, ensure that it is rated for the voltage and current labeled on the equipment's electrical ratings label. The voltage rating on the cord should be higher than the one listed on the equipment's ratings label.
- Observe all precautions and warnings attached to the equipment.
- If you don't intend on using the equipment for a long time, disconnect it from the power outlet to prevent being damaged by transient over-voltage.
- Keep all liquids away from the equipment to minimize the risk of accidental spillage. Liquid spilled on to the power supply or on other hardware may cause damage, fire or electrical shock.
- Only qualified service personnel should open the chassis. Opening it yourself could damage the equipment and invalidate its warranty.
- If any part of the equipment becomes damaged or stops functioning, have it checked by qualified service personnel.

What the warranty does not cover

- Any product, on which the serial number has been defaced, modified or removed.
- Damage, deterioration or malfunction resulting from:
 - Accident, misuse, neglect, fire, water, lightning, or other acts of nature, unauthorized product modification, or failure to follow instructions supplied with the product.
 - Repair or attempted repair by anyone not authorized by us.
 - Any damage of the product due to shipment.
 - Removal or installation of the product.
 - Causes external to the product, such as electric power fluctuation or failure.
 - Use of supplies or parts not meeting our specifications.
 - Normal wear and tear.
 - Any other causes which does not relate to a product defect.
- Removal, installation, and set-up service charges.

Regulatory Notices Federal Communications Commission (FCC)

This equipment has been tested and found to comply with the limits for a Class B digital device, pursuant to Part 15 of the FCC rules. These limits are designed to provide reasonable protection against harmful interference in a residential installation.

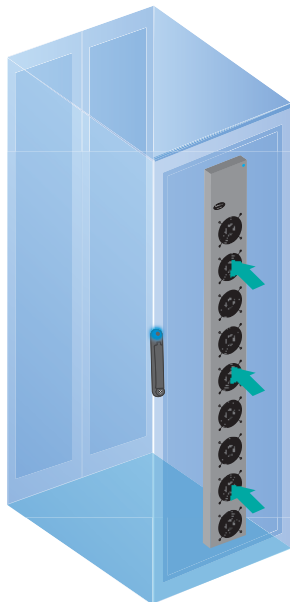
Any changes or modifications made to this equipment may void the user's authority to operate this equipment. This equipment generates, uses, and can radiate radio frequency energy and, if not installed and used in accordance with the instructions, may cause harmful interference to radio communications.

However, there is no guarantee that interference will not occur in a particular installation. If this equipment does cause harmful interference to radio or television reception, which can be determined by turning the equipment off and on, the user is encouraged to try to correct the interference by one or more of the following measures:

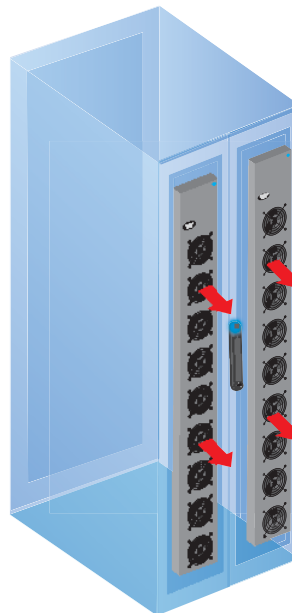
- Re-position or relocate the receiving antenna.
- Increase the separation between the equipment and receiver.
- Connect the equipment into an outlet on a circuit different from that to which the receiver is connected.

RA4017 Door mount Fan Panel is typically installed on the outside of a cabinet's rear perforated door to improve extraction of heat from high density cabinet.

The unit can be attached to most 42U or taller cabinets. If aisle is relatively narrow for exterior mounting, the unit may be installed on the inside of the perforated door. For details, please refer to the model table below :



Front Door
Cool Air In



Rear Door
Hot Air Out

Model	Installation	Airflow	Purpose
RA4017-6-A RA4017-9-A	Rear door outside Front door inside	Extract airflow Intake airflow	Exhaust air out from cabinet Cool air in from aisle
RA4017-6-B RA4017-9-B	Front door outside Rear door inside	Intake airflow Extract airflow	Cool air in from aisle Exhaust air out from cabinet

Unpacking

The equipment comes with the standard parts shown on the package contents. Check and make sure they are included and in good condition. If anything is missing, or damage, contact the supplier immediately.

Package Content

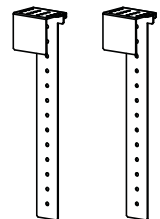
- 33U door mount fan panel x 1 pc
- 6 ft power cord x 1 pc
- User Manual x 1 pc
- Mounting screw x 6 pcs (attached with the unit)
- Air blocking material x 1 pc

Optional mounting kit

Hanging bracket kit

Part no. : PT-HFBK

* For installation, please refer to p.3



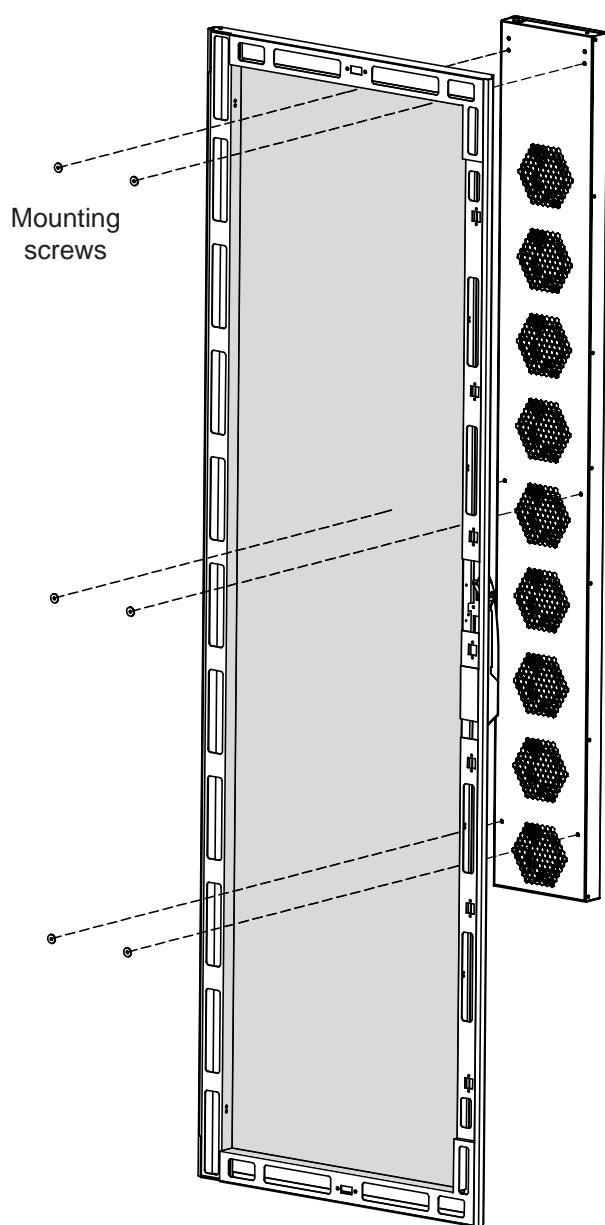


Caution - Power off the fans if the door is to be opened for maintenance or service of items within the cabinet. The fans have finger guards but care must be exercised when working around spinning fans. Keep hair, fingers and other small objects away from the spinning blades.

Installation steps

The weight of the unit is less than 5kg, so in most cases, holes in perforated cabinet doors can be used to mount the unit.

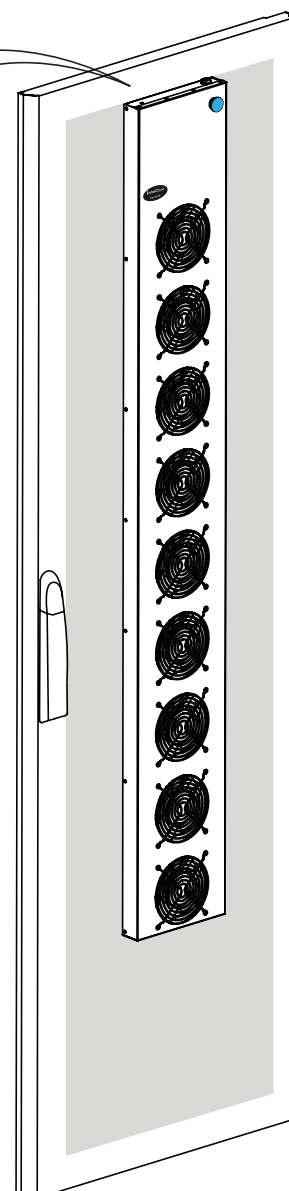
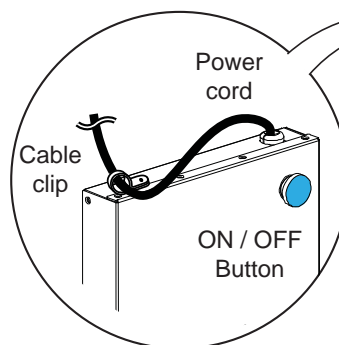
- 1 Lift the unit to the desired position.
- 2 Place attached 6 screws then through the door and tighten them.
- 3 To eliminate bypass air to maximize heat removal from the cabinet, cut the air blocking material to the size necessary with cutter or scissors then apply the material to the inside surface of the door with screws or adhesive backing. Ensure all open perforations are covered by the material.
- 4 Connect the power cord to the PDU of the cabinet through the cable entry hole on the rear top of the cabinet.
- 5 If no cable entry on the top, the unit may be installed on the inside but the model need to be changed. Please refer to P.1 .



Mounting screws

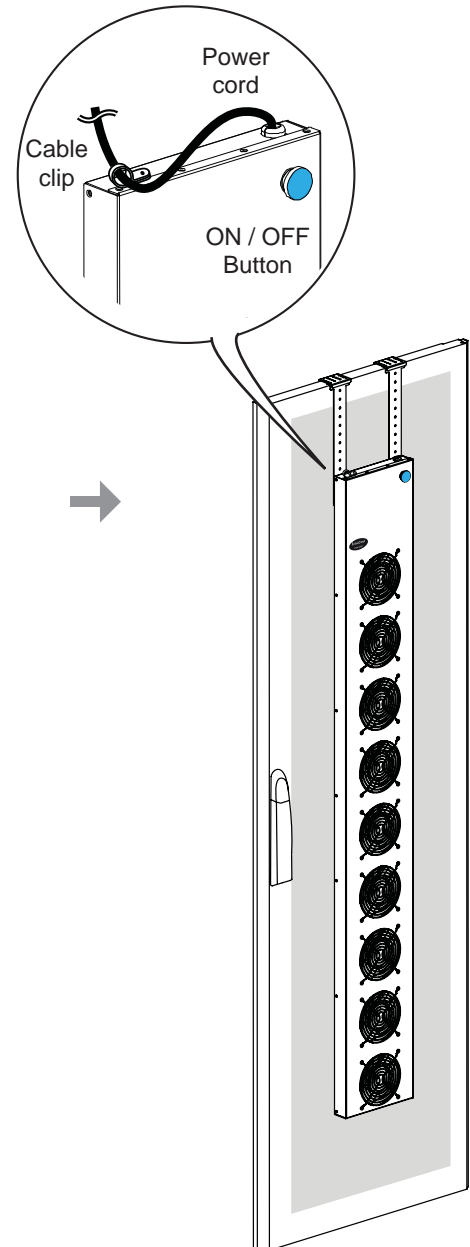
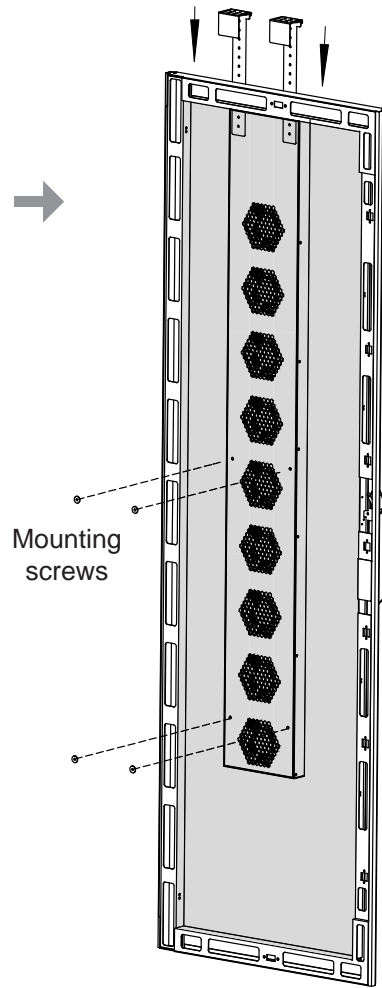
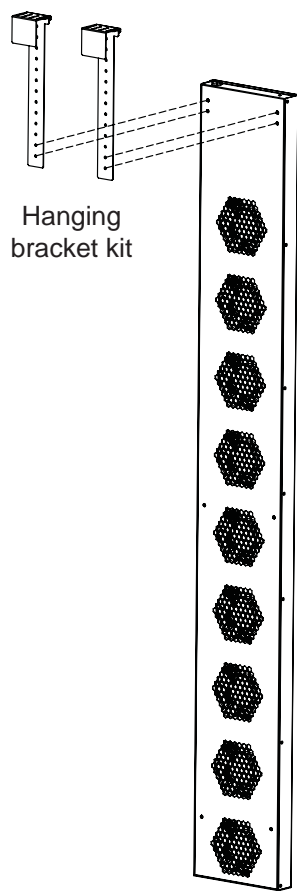
Perforated Cabinet Door

Use cable clip to hold the power cord if necessary



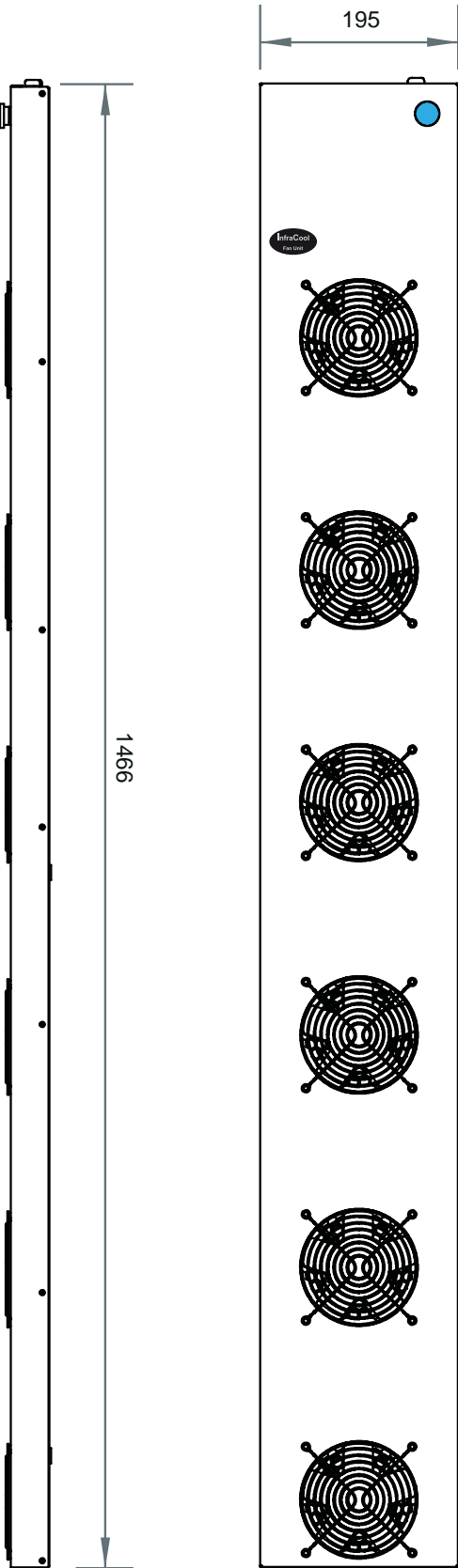
Hanging bracket installation

- 1 Install the hanging bracket kit on the rear side of the fan panel.
- 2 Hang the unit on the door.
- 3 Place attached 4 screws then through the door and tighten them.
- 4 Follow steps 3 - 5 on P.3 .

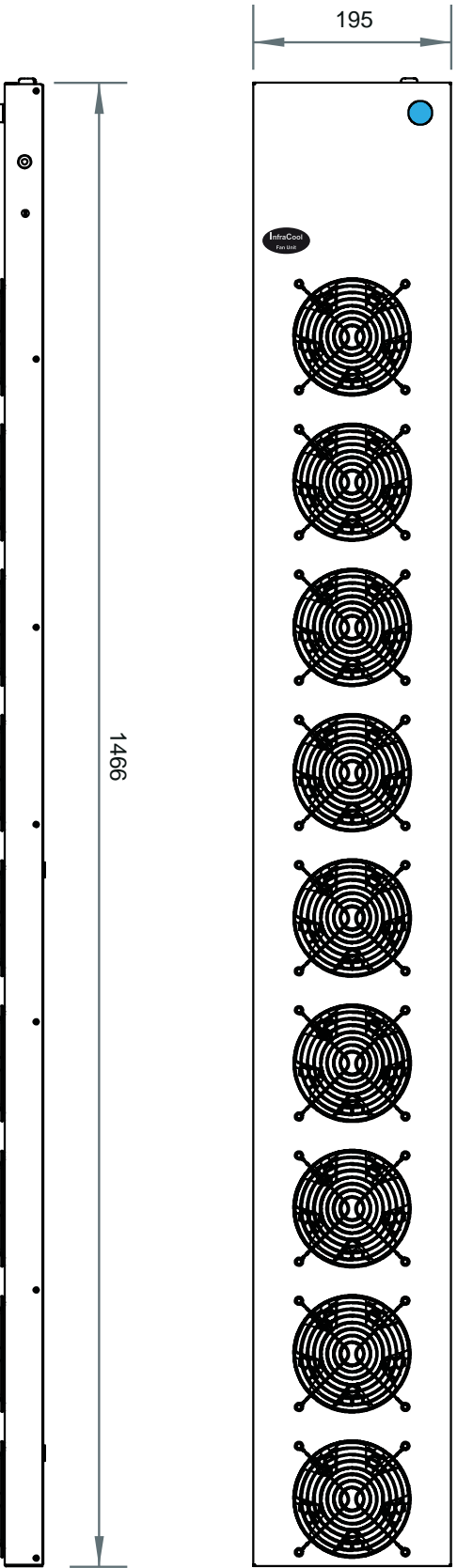


Dimensions

RA4017-6



RA4017-9



Specifications

Fan		RA4017-6	RA4017-9
No. of Fans :		6	9
Individual Fan CFM :		108 CFM	
Unit CFM (approx.) :		648 CFM	972 CFM
Environmental			
Operating :		0 to 50°C Degree	
Storage :		-5 to 60°C Degree	
Relative humidity :		5~90%, non-condensing	
Shock :		50G peak acceleration (11ms, half-sine wave)	
Vibration :		58~100Hz / 0.98G (11ms / cycle)	
Weight			
Net :		3.9 kgs (8.6 lbs)	4.6 kgs (10.1 lbs)
Casing Color :		Black	
Mounting :		33U door mount	
Regulatory :		FCC, CE	
Power			
Input :		Auto-sensing, 100V or 240V AC at 50 or 60Hz via IEC type cord	
Consumption :		40W	60W
Dimensions			
Product :		195 x 38.4 x 1466 mm / 7.7 x 1.5 x 57.7 inch	195 x 38.4 x 1466 mm / 7.7 x 1.5 x 57.7 inch

The company reserves the right to modify product specifications without prior notice and assumes no responsibility for any error which may appear in this publication.

All brand names, logo and registered trademarks are properties of their respective owners.

Copyright 2013 Synergy Global Technology Inc. All rights reserved.