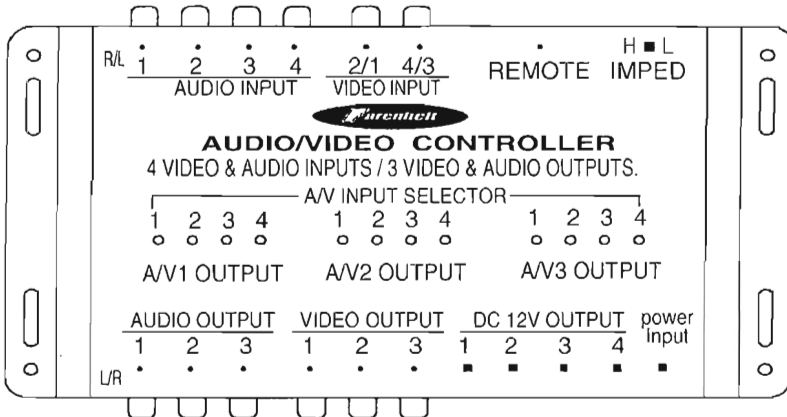




# MULTI AUDIO/VIDEO CONTROLLER

## With

### IR REMOTE CONTROL



**MODEL : AVIR-3**  
**OWNER'S MANUAL**

# TABLE OF CONTENTS

<b>1. PRECAUTIONS</b> .....	<b>2</b>
<b>2. FEATURES</b> .....	<b>3</b>
<b>3. FUNCTIONS</b> .....	<b>4</b>
1) EXTERNAL OVERVIEW .....	<b>4</b>
2) FUNCTION OF A/V INPUT SIDE .....	<b>5</b>
AUDIO INPUT	
VIDEO INPUT	
POWER CONNECTOR	
IMPEDANCE SELECTING SWITCH	
3) FUNCTIONS OF A/V OUTPUT SIDE .....	<b>6</b>
VIDEO OUTPUT	
AUDIO OUTPUT	
4) REMOTE CONTROL .....	<b>7</b>
<b>4. SINGLE/MULTI APPLICATION</b> .....	<b>8</b>
1) SINGLE-UNIT APPLICATION .....	<b>8</b>
2) MULTI-UNIT PARALLEL APPLICATION .....	<b>9</b>
<b>5. SPECIFICATIONS</b> .....	<b>10</b>

## PRECAUTIONS

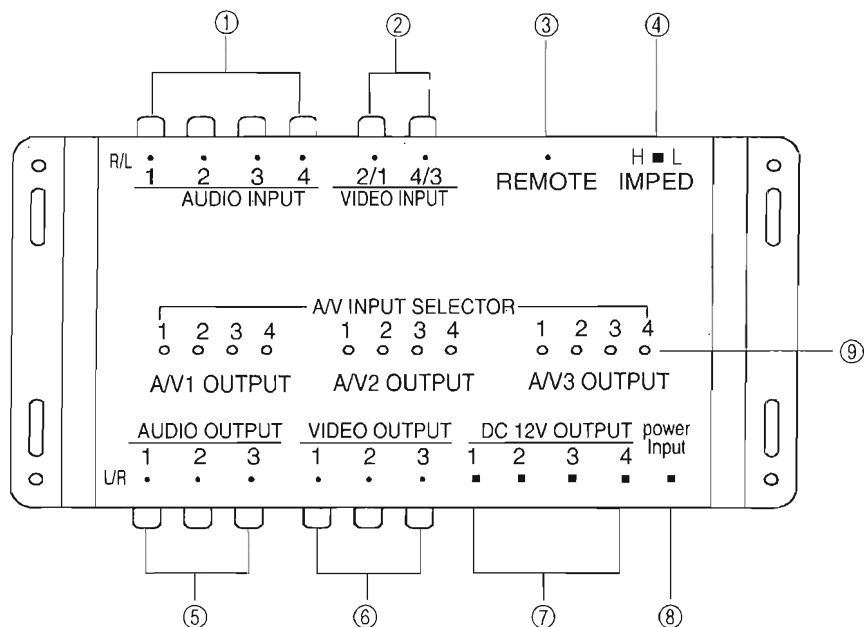
- Thank you for your purchasing our product. To use this product safely and efficiently, be sure to read this manual before you install and use it. And retain this manual for your future reference.
- This product is specially designed to collect 4 individual A/V source and distributes to 3 different A/V outputs by operating at DC 12V~DC 24V.
- The best operation can be obtained only after exact connections of the power connectors/controller units as shown in this manual.
- Install the built-in remote control unit where you can operate it and keep this remote control out of direct rays of sun. And, for safety purpose, surely disconnect the ground terminal of car battery before starting installation.
- Do not disassemble or modify the product, as it may cause serious accident, fire, electric shock, etc.. Do not use this product for any other application with the exception of showing in this manual.
- When installing on the automobile, do not set up the product where it may interrupt driver or damage passengers in an abrupt stop or an sudden emergency.
- Any foreign materials such as water, metal parts or drinks inside of this product may cause serious defects or fire.
- Do not operate this product while driving, for safety purposes.

# FEATURES

- This is a new high technology micom-controlled/parallel applicable multi A/V control system device.
- Individual 4 VIDEO & AUDIO input-source connection.
- Individual 3 VIDEO & 3 AUDIO output-display connection.
- 3 A/V outputs can be selected input signals independently.  
(Each random selection among 4 individual A/V sources)
- Parallel application facility for maximum 60 A/V outputs.  
(Parallel connectable max. 20 units for 60 A/V outputs).
- Wide operation power-range DC 11~30V for using in a passenger vehicle and/or tourist coach buses without any power converter for DC 24V buses.
- 1. standard package contains of ;
  - main - unit ..... 1
  - owner's manual ..... 1
  - IR remote controller ..... 1
  - BATTERY (RO3, AAA, UM-4 SIZE) ..... 2
  - REMOTE SENSER ..... 1
  - jumper wire power connector ..... 4
  - Power Connector Wire ..... 1
  - fixing screws & washers kit. .... 1

# FUNCTIONS

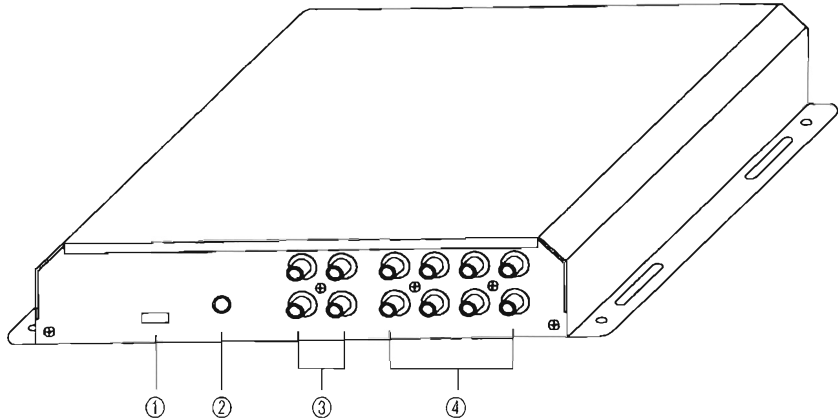
## 1. EXTERNAL OVERVIEW



- ① AUDIO INPUT (RCA Jack)
- ② VIDEO INPUT (RCA Jack)
- ③ IR REMOTE SENSOR JACK
- ④ IMPEDANCE SELECTING SWITCH
- ⑤ AUDIO OUTPUT (RCA Jack)
- ⑥ VIDEO OUTPUT (RCA Jack)
- ⑦ POWER CONNECTOR DC 12V OUT
- ⑧ POWER CONNECTOR DC IN
- ⑨ INPUT INDICATOR

# FUNCTIONS

## 2. FUNCTIONS OF A/V INPUT SIDE



### ① IMPEDANCE SELECTING SWITCH:

For parallel application by connecting more A/V Selector, the 'IMP' switch of the first and last A/V Selector must be switched to 'L' position, and the 'IMP' switches of all the other A/V Selectors must be set at 'H' position

### ② IR REMOTE SENSOR JACK :

CONNECT IR REMOTE SENSOR :

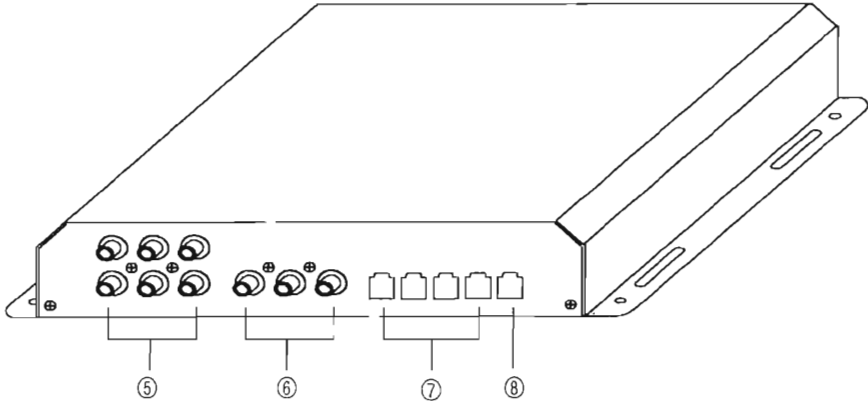
### ③ AUDIO INPUT (RCA Jacks)

### ④ VIDEO INPUT (RCA Jacks)

*This is very important notice to match the impedance of the A/V Selector in case of the parallel application for proper performance.*

# FUNCTIONS

## 3. FUNCTIONS OF A/V OUTPUT SIDE



⑤ AUDIO OUTPUT : 6 RCA Jacks for audio output.

⑥ VIDEO OUTPUT : 3 RCA Jacks for video output.

⑦ POWER CONNECTOR : DC 12V OUT

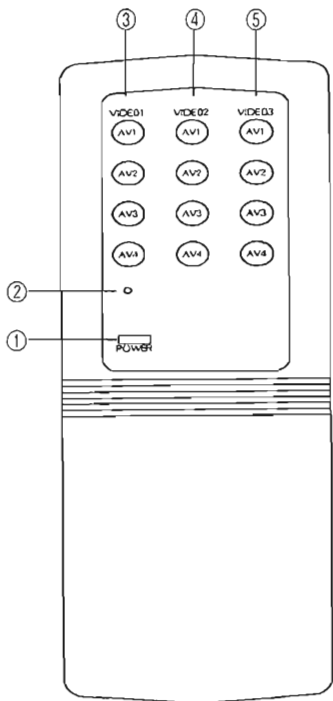
When your using two or more distributors, you can use DC 12V out with connector.

⑧ POWER CONNECTOR : DC 12V IN

For single application, connect red wire to DC 12V and  
Connect black wire to ground.

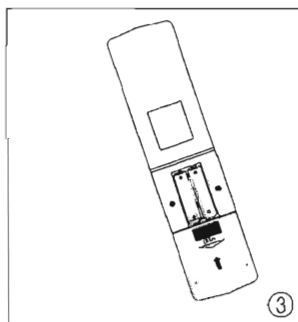
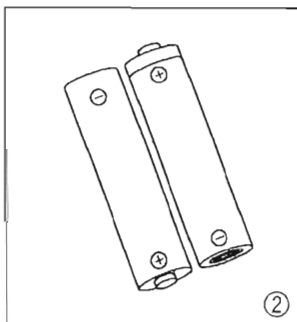
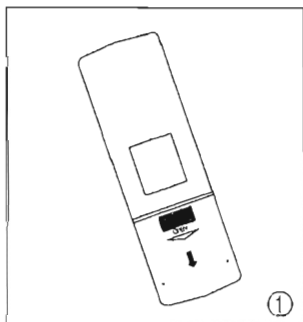
# FUNCTIONS

## 4. REMOTE CONTROLLER



- ① POWER ON · OFF KEY
- ② LED INDICATOR
- ③ VIDEO 1 SELECTOR KEY
- ④ VIDEO 2 SELECTOR KEY
- ⑤ VIDEO 3 SELECTOR KEY

### ● How to replace the battery in the remote controller

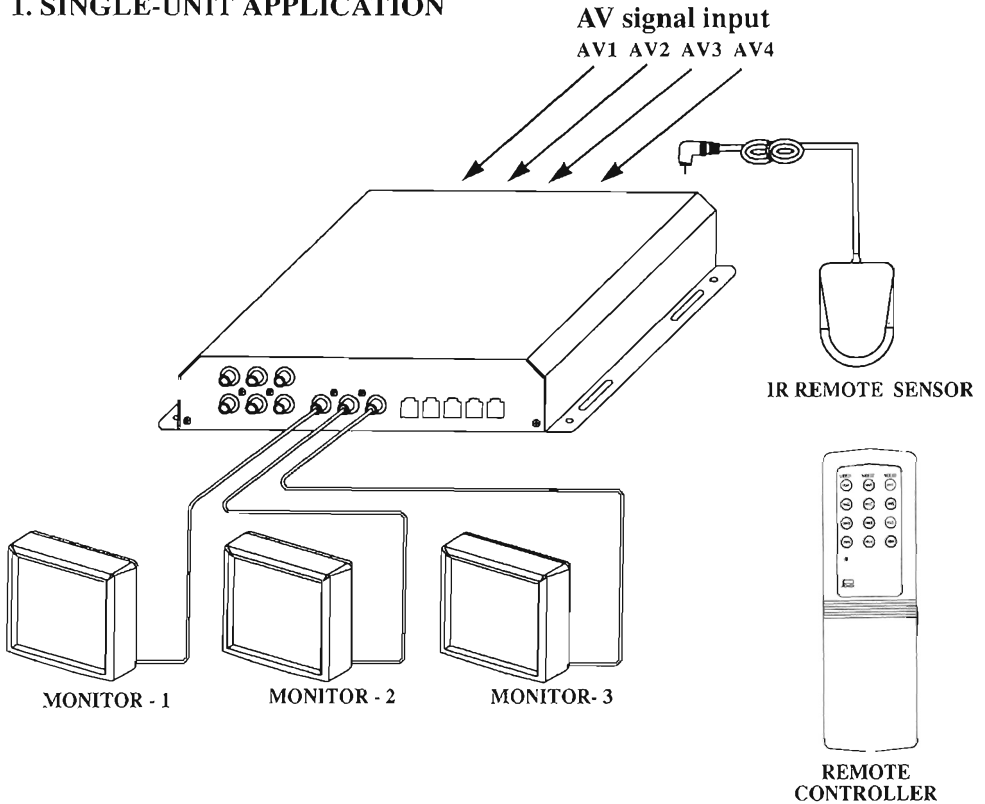


※ Please confirm the polarity of batteries and do not change it.



# SINGLE / MULTI APPLICATION

## 1. SINGLE-UNIT APPLICATION

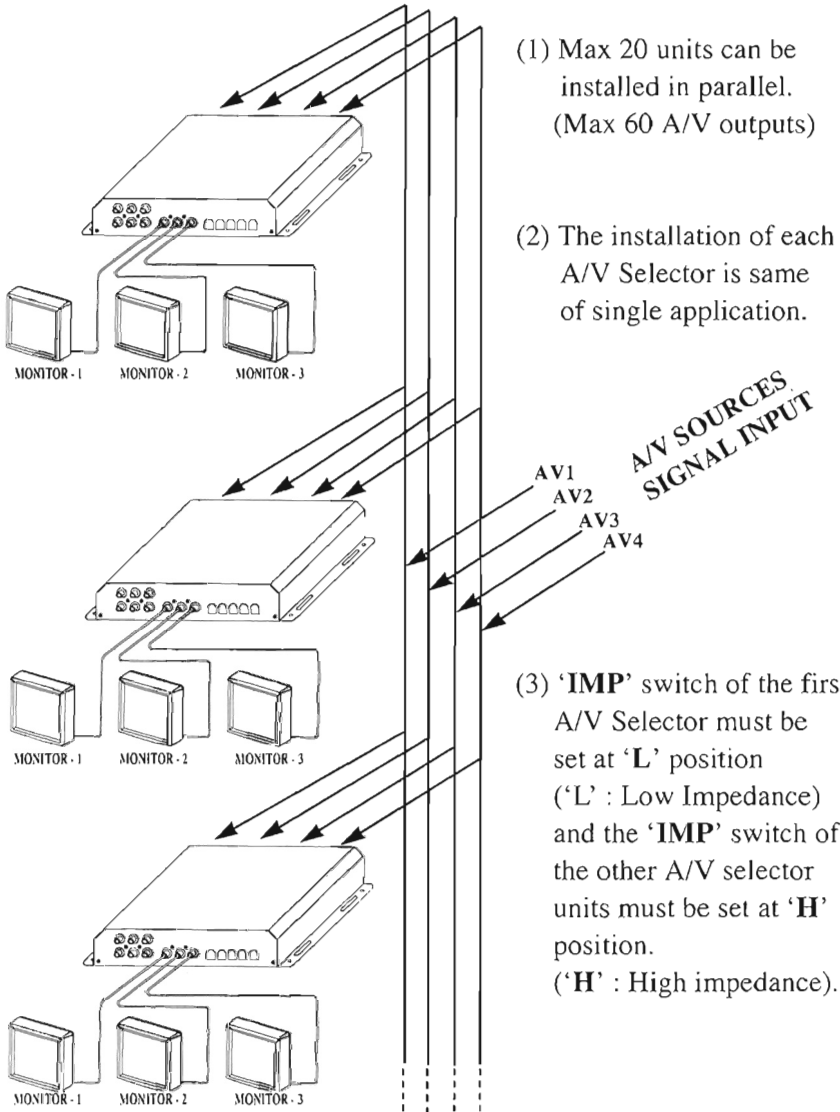


### NOTE:

- (1) 'IMP' switch must be set at 'L' position (Low Impedance)
- (2) To USE The Remote Control, the power button to turn on the remote.
- (3) Press the VIDEO 1, 2, 3(AV1, AV2, AV3, AV4) Button to select, The source to be controlled by the remote

# SINGLE / MULTI APPLICATION

## 2. MULTI-UNIT PARALLEL APPLICATION



### NOTE :

*In parallel application with more than 5 unit, maybe need to supply more current power by connecting power connector from car battery.*

## SPECIFICATIONS

POWER SOURCE	DC 12V /24V
OPERATING VOLTAGE	DC 11V ~ 30V
POWER CONSUMPTION	4W Max.
VIDEO BAND WIDTH	10MHz
AUDIO BAND WIDTH	15 KHz
IMPEDANCE OF VIDEO INPUT	75 Ohm
IMPEDANCE OF AUDIO INPUT	8.2K ohm
OPERATING TEMPERATURE	-5°C ~ + 60°C
STORAGE TEMPERATURE	-30°C ~ + 80°C
OPERATING HUMIDITY	85% RH
STORAGE HUMIDITY	85% RH
DC OUTPUT(Total 4 outputs)	3A max.
DIMENSION(TOP PART)	240 × 144 × 43mm (9.5 × 5.7 × 2.7")

**N.B :**

*The above specification shall be modified by manufacturer for improving quality and performance without prior notice.*