

PD6060 Dual-Input Process Meter

Instruction Manual



PROVU®
SERIES



- Dual Process Inputs with Math Functions
- Addition, Difference, Average, Multiplication, Division, Min, Max, Weighted Average, Ratio, Concentration, & More
- 0-20 mA, 4-20 mA, 0-5 V, 1-5 V, and ± 10 V Inputs
- NEMA 4X, IP65 Front
- Universal 85-265 VAC, or 12/24 VDC Input Power Models
- Large Dual-Line 6-Digit Display, 0.60" & 0.46"
- Isolated 24 VDC Transmitter Power Supply
- Programmable Display & Function Keys
- 32-Point, Square Root, or Exponential Linearization
- Multi-Pump Alternation Control
- 2 or 4 Relays + Isolated 4-20 mA Output Options
- External 4-Relay & Digital I/O Expansion Modules
- USB, RS-232 & RS-485 Serial Communication Options
- Modbus® RTU Communication Protocol Standard
- Configure, Monitor, and Datalog from a PC with Free MeterView® Pro Software

PRECISION DIGITAL CORPORATION

89 October Hill Road • Holliston MA 01746 USA
Tel (800) 343-1001 • Fax (508) 655-8990

**PRECISION
DIGITAL**

www.predig.com

Disclaimer

The information contained in this document is subject to change without notice. Precision Digital makes no representations or warranties with respect to the contents hereof and specifically disclaims any implied warranties of merchantability or fitness for a particular purpose.



CAUTION: *Read complete instructions prior to installation and operation of the meter.*



WARNING: *Risk of electric shock or personal injury.*



Warning!

This product is not recommended for life support applications or applications where malfunctioning could result in personal injury or property loss. Anyone using this product for such applications does so at his/her own risk. Precision Digital Corporation shall not be held liable for damages resulting from such improper use.

Limited Warranty

Precision Digital Corporation warrants this product against defects in material or workmanship for the specified period under "Specifications" from the date of shipment from the factory. Precision Digital's liability under this limited warranty shall not exceed the purchase value, repair, or replacement of the defective unit.

Registered Trademarks

PROVU[®] and MeterView[®] Pro are registered trademarks of Precision Digital Corporation. All other trademarks mentioned in this document are the property of their respective owners.

© 2011-2013 Precision Digital Corporation. All rights reserved.

www.predig.com

Table of Contents

INTRODUCTION	6
ORDERING INFORMATION	7
SPECIFICATIONS	8
General	8
Dual Process Input	10
Relays	11
Isolated 4-20 mA Transmitter Output	12
Modbus® RTU Serial Communications	13
COMPLIANCE INFORMATION	14
Safety	14
Electromagnetic Compatibility	14
SAFETY INFORMATION	15
INSTALLATION	15
Unpacking	15
Panel Mounting Instructions	15
MOUNTING DIMENSIONS	17
Configuration for 12 or 24 VDC Power Option	18
Transmitter Supply Voltage Selection (P+, P-)	19
Connections	19
Connectors Labeling	20
Power Connections	20
Signal Connections	21
Modbus RTU Serial Communications	22
Relay Connections	22
Switching Inductive Loads	23
F4 Digital Input Connections	24
4-20 mA Output Connections	24
Analog Output Transmitter Power Supply	24
External Relay, Analog Output, & Digital I/O Connections	25
Interlock Relay Feature	25
SETUP AND PROGRAMMING	26
Front Panel Buttons and Status LED Indicators	27
Display Functions & Messages	28
Main Menu	32
Setting Numeric Values	33
Setting Up the Meter (SETUP)	34

Setting the Input Signal (<i>InPUL</i>)	35
Setting the Decimal Point (<i>dEc Pt</i>)	35
Programming the Meter (<i>PrāU</i>)	36
Multi-Point Linearization (<i>L inERr</i>)	37
MeterView® Pro Software	37
Scaling the Meter without a Signal Source	37
Scaling the Meter for Channel A (<i>ScRL -A</i>)	38
Scaling the Meter for Channel B (<i>ScRL -b</i>)	38
Error Message (<i>Error</i>)	39
Calibrating the Meter with External Source	39
Calibrating the Meter for Channel A (<i>CRl -A</i>)	40
Calibrating the Meter for Channel B (<i>CRl -b</i>)	40
Setting the Display Parameter & Intensity (<i>d5PLRY</i>)	41
Display Setup Menu	42
Setting the Input Units or Custom Tags (<i>un iL5</i>)	43
Setting the Relay Operation (<i>rELRY</i>)	44
Setting the Relay Assignment (<i>R55 iUn</i>)	45
Setting the Relay Action	46
Programming Set and Reset Points	47
Setting Fail-Safe Operation	47
Programming Time Delay	47
Relay Action for Loss of 4-20 mA Input (Loop Break)	47
Relay and Alarm Operation Diagrams	48
High Alarm Operation (Set > Reset)	48
Low Alarm Operation (Set < Reset)	49
High Alarm with Fail-Safe Operation (Set > Reset)	50
Low Alarm with Fail-Safe Operation (Set < Reset)	51
Pump Alternation Control Operation	52
Relay Sampling Operation	53
Signal Loss or Loop Break Relay Operation	54
Time Delay Operation	55
Relay Operation Details	56
Overview	56
Relays Auto Initialization	56
Fail-Safe Operation	56
Front Panel LEDs	57
Latching and Non-Latching Relay Operation	57
Non-Latching Relay (<i>RULa</i>)	58
Non-Latching Relay (<i>R-nr Rn</i>)	58
Latching Relay (<i>LRLcH</i>)	58
Latching Relay (<i>Ll-CLr</i>)	59
Acknowledging Relays	59

Pump Alternation Control Applications (<i>RLtErn</i>)	60
Setting Up the Interlock Relay (Force On) Feature	61
Scaling the 4-20 mA Analog Output (<i>Rout</i>)	62
Reset Menu (<i>rESEt</i>)	63
Control Menu (<i>ContRL</i>)	63
Setting Up the Password (<i>PR55</i>)	64
Protecting or Locking the Meter	64
Making Changes to a Password Protected Meter	65
Disabling Password Protection	65
Advanced Features Menu	66
Advanced Features Menu & Display Messages	67
Noise Filter (<i>FiltEr</i>)	71
Noise Filter Bypass (<i>bYPASS</i>)	71
Rounding Feature (<i>round</i>)	72
Modbus RTU Serial Communications (<i>SEr, RL</i>)	72
Select Menu (<i>SELEct</i>)	73
Signal Input Conditioning (<i>FuncTn</i>)	74
Multi-Point Linearization (<i>LnERr</i>)	75
Math Function (<i>nr Rth</i>)	76
Math Constants (<i>Const</i>)	77
Low-Flow Cutoff (<i>CutoffF</i>)	77
Analog Output Programming (<i>RoutPr</i>)	77
Programmable Function Keys User Menu (<i>uSEr</i>)	79
Tare (<i>tArE R, tArE b</i>)	81
Internal Calibration (<i>iCAL</i>)	81
Meter Copy Function (<i>CoPY</i>)	83
METER OPERATION	85
Front Panel Buttons Operation	85
Function Keys Operation	85
F4 Operation	86
Maximum/Minimum Readings	86
TROUBLESHOOTING	87
Diagnostics Menu (<i>d iAG</i>)	87
Determining Software Version	87
Reset Meter to Factory Defaults	88
Factory Defaults & User Settings	89
Alphabetical List of Display Functions & Messages	93
Troubleshooting Tips	98

Table of Figures

Figure 1. 1/8 DIN Panel Cutout Dimensions	16
Figure 2. Panel Mounting Details	16
Figure 3. Meter Dimensions - Side View	17
Figure 4. Meter Dimensions - Top View	17
Figure 5. Jumper Configuration for 12/24 VDC Power	18
Figure 6. Transmitter Supply Voltage Selection	19
Figure 7. Connector Labeling for Fully Loaded PD6060	20
Figure 8. Power Connections	20
Figure 9. Transmitters Powered by Internal Supply	21
Figure 10. Transmitter Powered by Ext. Supply or Self-Powered ..	21
Figure 11. Voltage Input Connections	22
Figure 12. Relay Connections	22
Figure 13. AC and DC Loads Protection.....	23
Figure 14. Low Voltage DC Loads Protection	23
Figure 15. F4 Digital Input Connections	24
Figure 16. 4-20 mA Output Connections	24
Figure 17. Interlock Connections	25
Figure 18. Acknowledge Relays w/Function Key or Digital Input ..	59

INTRODUCTION

The PROVu[®] PD6060 is a multipurpose, easy to use digital dual-input process meter ideal for level, flow rate, temperature transmitter, or pressure transmitter applications. It accepts current and voltage signals (e.g. 4-20 mA, 0-10 V). Various math functions may be applied to the inputs including addition, difference, absolute difference, average, weighted average, multiplication, division, minimum, maximum, draw, ratio, and concentration. This is in addition to the signal input conditioning functions (linear, square root, programmable exponent, or round horizontal tank calculations).

The displays, relays, and the analog output may be assigned to input channels A or B, or math result channel C.

Three of the front panel buttons can be custom-programmed for a specific operation.

The basic model includes an isolated 24 VDC transmitter power supply that can be used to power the input transmitters or other devices. An additional isolated 24 VDC power supply is included with the 4-20 mA output option. A digital input is standard.

A fully loaded PD6060 meter has the following: four SPDT relays, 4-20 mA output, and two 24 VDC power supplies. The PD6060 capabilities may be enhanced by adding the following external expansion modules: four SPST relays –creating an eight-relay dual-input process meter, two digital I/O modules with four inputs and four outputs each, serial communication adapters for use with MeterView Pro or Modbus RTU, and a dual 4-20 mA expansion module.

ORDERING INFORMATION

Standard Models

85-265 VAC Model	12/24 VDC Model	Options Installed
PD6060-6R0	PD6060-7R0	No options
PD6060-6R2	PD6060-7R2	2 relays (PD1102*)
PD6060-6R3	PD6060-7R3	4-20 mA output (PD1103*)
PD6060-6R4	PD6060-7R4	4 relays (PD1104*)
PD6060-6R5	PD6060-7R5	2 relays & 4-20 mA output (PD1105*)
PD6060-6R7	PD6060-7R7	4 relays & 4-20 mA output (PD1107*)

*Model number for replacement option card.

SunBright Display Models

85-265 VAC Model	12/24 VDC Model	Options Installed
PD6060-6H0	PD6060-7H0	No options
PD6060-6H2	PD6060-7H2	2 relays (PD1102*)
PD6060-6H3	PD6060-7H3	4-20 mA output (PD1103*)
PD6060-6H4	PD6060-7H4	4 relays (PD1104*)
PD6060-6H5	PD6060-7H5	2 relays & 4-20 mA output (PD1105*)
PD6060-6H7	PD6060-7H7	4 relays & 4-20 mA output (PD1107*)

*Model number for replacement option card.

Accessories

Model	Description
PDA1002	DIN rail mounting kit for two expansion modules
PDA1004	4 SPST (Form A) relays
PDA1011	Dual 4-20 mA expansion module
PDA1044	4 digital inputs & 4 digital outputs (2 may be connected)
PDA1200	Meter copy cable
PDA1232	RS-232 serial adapter
PDA1485	RS-485 serial adapter
PDA7485-I	RS-232 to RS-422/485 isolated converter
PDA7485-N	RS-232 to RS-422/485 non-isolated converter
PDA8008	USB serial adapter
PDA8232-N	USB to RS-232 non-isolated converter
PDA8485-I	USB to RS-422/485 isolated converter
PDA8485-N	USB to RS-422/485 non-isolated converter
PDX6901	Suppressor (snubber): 0.01 μ F/470 Ω , 250 VAC

SPECIFICATIONS

Except where noted all specifications apply to operation at +25°C.

General

DISPLAY	Upper display: 0.60" (15 mm) high, red LEDs Lower display: 0.46" (12 mm) high, red LEDs 6 digits each (-99999 to 999999), with lead zero blanking
DISPLAY INTENSITY	Eight user selectable intensity levels
DISPLAY UPDATE RATE	5/second (200 ms)
OVERRANGE	Display flashes 999999
UNDERRANGE	Display flashes -99999
DISPLAY ASSIGNMENT	The main (Big) and small (Little) displays may be assigned to process values for Channels A (Ch-A), B (Ch-B), or C (Ch-C), toggle between (Ch-A & Ch-B, Ch-A & Ch-C, Ch-B & Ch-C, and Ch-A, Ch-B, & Ch-C), toggle between Channel & units, show channel gross value (no tare) or toggle net (tare) and gross values, show relay set points, max & min values, or Modbus input. The lower display may also be set to show engineering units or be off, with no display.
PROGRAMMING METHODS	Four front panel buttons, digital inputs, PC and MeterView Pro software, Modbus registers, or cloning using Copy function.
NOISE FILTER	Programmable from 2 to 199 (0 will disable filter)
FILTER BYPASS	Programmable from 0.1 to 99.9% of calibrated span
RECALIBRATION	All ranges are calibrated at the factory. Recalibration is recommended at least every 12 months.
MAX/MIN DISPLAY	Max/min readings reached by the process are stored until reset by the user or until power to the meter is cycled.
PASSWORD	Three programmable passwords restrict modification of programmed settings. Pass 1: Allows use of function keys and digital inputs Pass 2: Allows use of function keys, digital inputs and editing set/reset points Pass 3: Restricts all programming, function keys, and digital inputs.
NON-VOLATILE MEMORY	All programmed settings are stored in non-volatile memory for a minimum of ten years if power is lost.
POWER OPTIONS	85-265 VAC 50/60 Hz, 90-265 VDC, 20 W max or jumper selectable 12/24 VDC \pm 10%, 15 W max

FUSE	Required external fuse: UL Recognized, 5 A max, slow blow; up to 6 meters may share one 5 A fuse
ISOLATED TRANSMITTER POWER SUPPLY	Terminals P+ & P-: 24 VDC \pm 10%. Selectable for 24, 10, or 5 VDC supply (internal jumper J4). ProVu Series (PD6060): 85-265 VAC models rated @ 200 mA max, 12/24 VDC powered models rated @ 100 mA max, @ 50 mA max for 5 or 10 VDC supply. ProtEX-MAX (PD8 Series): All models transmitter supply rated @ 25 mA max.
NORMAL MODE REJECTION	Greater than 60 dB at 50/60 Hz
ISOLATION	4 kV input/output-to-power line 500 V input-to-output or output-to-P+ supply
OVERVOLTAGE CATEGORY	Installation Overvoltage Category II: Local level with smaller transient overvoltages than Installation Overvoltage Category III.
ENVIRONMENTAL	ProVu Series (PD6060): Operating temperature range: -40 to 65°C Storage temperature range: -40 to 85°C Relative humidity: 0 to 90% non-condensing ProtEX-MAX (PD8 Series): T6 Class operating temperature range Ta = -40 to 60°C T5 Class operating temperature range Ta = -40 to 65°C See LIM8 ProtEX-MAX instruction manual for additional details.
MAX POWER DISSIPATION	ProtEX-MAX (PD8 Series): Maximum power dissipation limited to 15.1 W. See LIM8 ProtEX-MAX instruction manual for additional details.
CONNECTIONS	Removable screw terminal blocks accept 12 to 22 AWG wire, RJ45 for external relays, digital I/O, and serial communication adapters.
ENCLOSURE	1/8 DIN, high impact plastic, UL 94V-0, color: black
MOUNTING	1/8 DIN panel cutout required: 3.622" x 1.772" (92 mm x 45 mm) Two panel mounting bracket assemblies are provided.
TIGHTENING TORQUE	Screw terminal connectors: 5 lb-in (0.56 Nm)
OVERALL DIMENSIONS	4.68" x 2.45" x 5.64" (119 mm x 62 mm x 143 mm) (W x H x D)

WEIGHT	9.5 oz (269 g)
WARRANTY	3 years parts & labor

Dual Process Input

TWO INPUTS	Two inputs, each separately field selectable: 0-20, 4-20 mA, ± 10 V (0-5, 1-5, 0-10 V), Modbus PV (Slave)
-------------------	--

CHANNELS	Channel A, Channel B, Channel C (Math channel)
-----------------	--

PROGRAMMABLE CONSTANTS	Constant P (Adder): -99.999 to 999.999, default: 0.000 Constant F (Factor): 0.001 to 999.999, default: 1.000
-------------------------------	---

MATH FUNCTIONS	Name	Function	Setting
	Addition	$(A+B+P)*F$	חבט
	Difference	$(A-B+P)*F$	ד פ
	Absolute diff.	$((\text{Abs}(A-B))+P)*F$	ד פ אב5
	Average	$((A+B)/2+P)*F$	אבט
	Multiplication	$((A*B)+P)*F$	חבט לט
	Division	$((A/B)+P)*F$	ד וי דט
	Max of A or B	$((\text{AB-Hi})+P)*F$	ח אב
	Min of A or B	$((\text{AB-Lo})+P)*F$	ל אב
	Draw	$((A/B)-1)*F$	ד ר אב
	Weighted avg.	$((B-A)*F)+A$	אב אבט
	Ratio	$(A/B)*F$	ר אב ט
	Concentration	$(A/(A+B))*F$	ל אב ט

Note: The F constant can be any value from 0.001 to 999.999. If the value is less than 1, it will have the same effect as a divider. For example, the average could also be derived by using $(A+B)*F$, where $F = 0.500$.

SEQUENCE OF OPERATIONS FOR INPUT PROGRAMMING	<ol style="list-style-type: none"> 1. Select Input for A and B 2. Set up the engineering units for A, B, and C 3. Set up decimal point for A, B, and C 4. Program A & B 5. Set up the displays for A, B, or C 6. Select the transfer function for A & B (e.g. Linear) 7. Select Math function for Channel C 8. Program constants for Factor (F) and Adder (P). 9. Program cutoff values for A and B
---	--

ACCURACY	$\pm 0.03\%$ of calibrated span ± 1 count, square root & programmable exponent accuracy range: 10-100% of calibrated span
-----------------	---

TEMPERATURE DRIFT	0.005% of calibrated span/ $^{\circ}\text{C}$ max from 0 to 65 $^{\circ}\text{C}$ ambient, 0.01% of calibrated span/ $^{\circ}\text{C}$ max from -40 to 0 $^{\circ}\text{C}$ ambient
--------------------------	--

SIGNAL INPUT CONDITIONING	Linear, square root, programmable exponent, or round horizontal tank volume calculation
----------------------------------	---

MULTI-POINT LINEARIZATION	2 to 32 points for channel A and B								
PROGRAMMABLE EXPONENT	1.0001 to 2.9999								
LOW-FLOW CUTOFF	0-999999 (0 disables cutoff function)								
DECIMAL POINT	Up to five decimal places or none: <i>d.ddddd, d.ddddd, d.ddd, d.dd, d.d, or d</i>								
CALIBRATION RANGE	<table border="0"> <tr> <td>Input</td> <td>Minimum Span</td> </tr> <tr> <td>Range</td> <td>Input 1 & Input 2</td> </tr> <tr> <td>4-20 mA</td> <td>0.15 mA</td> </tr> <tr> <td>±10 V</td> <td>0.10 V</td> </tr> </table> <p>An error message will appear if the input 1 and input 2 signals are too close together.</p>	Input	Minimum Span	Range	Input 1 & Input 2	4-20 mA	0.15 mA	±10 V	0.10 V
Input	Minimum Span								
Range	Input 1 & Input 2								
4-20 mA	0.15 mA								
±10 V	0.10 V								
INPUT IMPEDANCE	<p>Voltage ranges: greater than 500 kΩ</p> <p>Current ranges: 50 - 100 Ω (depending on resettable fuse impedance)</p>								
INPUT OVERLOAD	Current input protected by resettable fuse, 30 VDC max. Fuse resets automatically after fault is removed.								
F4 DIGITAL INPUT CONTACTS	3.3 VDC on contact. Connect normally open contacts across F4 to COM.								
F4 DIGITAL INPUT LOGIC LEVELS	Logic High: 3 to 5 VDC Logic Low: 0 to 1.25 VDC								

Relays

RATING	2 or 4 SPDT (Form C) internal and/or 4 SPST (Form A) external; rated 3 A @ 30 VDC and 125/250 VAC resistive load; 1/14 HP (\approx 50 W) @ 125/250 VAC for inductive loads
NOISE SUPPRESSION	Noise suppression is recommended for each relay contact switching inductive loads; see page 23 for details.
DEADBAND	0-100% of span, user programmable
HIGH OR LOW ALARM	User may program any alarm for high or low trip point. Unused alarm LEDs and relays may be disabled (turn off).
RELAY OPERATION	<p>Automatic (non-latching)</p> <p>Latching (requires manual acknowledge)</p> <p>Sampling (based on time)</p> <p>Pump alternation control (2 to 8 relays)</p> <p>Off (disable unused relays and enable Interlock feature)</p> <p>Manual on/off control mode</p>

RELAY RESET	User selectable via front panel buttons, digital inputs, or PC <ol style="list-style-type: none"> 1. Automatic reset only (non-latching), when the input passes the reset point. 2. Automatic + manual reset at any time (non-latching) 3. Manual reset only, at any time (latching) 4. Manual reset only after alarm condition has cleared (L) <i>Note: Front panel button or digital input may be assigned to acknowledge relays programmed for manual reset.</i>
TIME DELAY	0 to 999.9 seconds, on & off relay time delays Programmable and independent for each relay
FAIL-SAFE OPERATION	Programmable and independent for each relay. <i>Note: Relay coil is energized in non-alarm condition. In case of power failure, relay will go to alarm state.</i>
AUTO INITIALIZATION	When power is applied to the meter, relays will reflect the state of the input to the meter.

Isolated 4-20 mA Transmitter Output

OUTPUT SOURCE	Process channel A, B, or C, max or min for channel A, B, or highest or lowest max or min of A and B, set points 1-8, Modbus input, or manual control mode
SCALING RANGE	1.000 to 23.000 mA for any display range
CALIBRATION	Factory calibrated: 4.000 to 20.000 = 4-20 mA output
ANALOG OUT PROGRAMMING	23.000 mA maximum for all parameters: Overrange, underrange, max, min, and break
ACCURACY	$\pm 0.1\%$ of span ± 0.004 mA
TEMPERATURE DRIFT	0.4 $\mu\text{A}/^\circ\text{C}$ max from 0 to 65 $^\circ\text{C}$ ambient, 0.8 $\mu\text{A}/^\circ\text{C}$ max from -40 to 0 $^\circ\text{C}$ ambient <i>Note: Analog output drift is separate from input drift.</i>
ISOLATED TRANSMITTER POWER SUPPLY	Terminals I+ & R: 24 VDC $\pm 10\%$. May be used to power the 4-20 mA output or other devices. Refer to Figure 7 on page 20 and Figure 16 on page 24. ProVu Series (PD6060): All models rated @ 40 mA max. ProtEX-MAX (PD8 Series): All models @ 25 mA max.
EXTERNAL LOOP POWER SUPPLY	35 VDC maximum

OUTPUT LOOP RESISTANCE	Power supply	Minimum	Maximum
	24 VDC	10 Ω	700 Ω
	35 VDC (external)	100 Ω	1200 Ω

Modbus® RTU Serial Communications

SLAVE ID	1 – 247 (Meter address)
BAUD RATE	300 – 19,200 bps
TRANSMIT TIME DELAY	Programmable between 0 and 199 ms
DATA	8 bit (1 start bit, 1 or 2 stop bits)
PARITY	Even, Odd, or None with 1 or 2 stop bits
BYTE-TO-BYTE TIMEOUT	0.01 – 2.54 second
TURN AROUND DELAY	Less than 2 ms (fixed)

Note: Refer to the PROVU® Modbus Register Tables located at www.predig.com for details.

COMPLIANCE INFORMATION

Safety

UL & c-UL LISTED	USA & Canada UL 508 Industrial Control Equipment
UL FILE NUMBER	E160849
FRONT PANEL	UL Type 4X, NEMA 4X, IP65; panel gasket provided
LOW VOLTAGE DIRECTIVE	EN 61010-1:2001 Safety requirements for measurement, control, and laboratory use

Electromagnetic Compatibility

EMISSIONS	EN 55022:2006/A1:2007 Class A ITE emissions requirements
Radiated Emissions	Class A
AC Mains Conducted Emissions	Class A
IMMUNITY	EN 61326-1:2006 Measurement, control, and laboratory equipment EN 61000-6-2:2005 EMC heavy industrial generic immunity standard
RFI - Amplitude Modulated	80 -1000 MHz 10 V/m 80% AM (1 kHz) 1.4 - 2.0 GHz 3 V/m 80% AM (1 kHz) 2.0 - 2.7 GHz 1 V/m 80% AM (1 kHz)
Electrical Fast Transients	±2kV AC mains, ±1kV other
Electrostatic Discharge	±4kV contact, ±8kV air
RFI - Conducted	10V, 0.15-80 MHz, 1kHz 80% AM
AC Surge	±2kV Common, ±1kV Differential
Surge	1KV (CM)
Power-Frequency Magnetic Field	3 A/m 70%V for 0.5 period
Voltage Dips	40%V for 5 & 50 periods 70%V for 25 periods
Voltage Interruptions	<5%V for 250 periods

Note:

Testing was conducted on PD6000 Series meters installed through the covers of grounded metal enclosures with cable shields grounded at the point of entry representing installations designed to optimize EMC performance.

Declaration of Conformity available at www.predig.com

SAFETY INFORMATION

CAUTION: Read complete instructions prior to installation and operation of the meter.



WARNING: Risk of electric shock or personal injury.

**WARNING!**

Hazardous voltages exist within enclosure. Installation and service should be performed only by trained service personnel.

INSTALLATION

There is no need to remove the meter from its case to complete the installation, wiring, and setup of the meter for most applications.

Instructions are provided for setting up a 12/24 VDC powered meter to operate from 12 VDC and for changing the transmitter power supply to output 5 or 10 VDC instead of 24 VDC, see page 18.

Unpacking

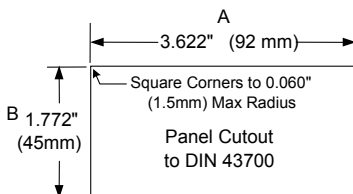
Remove the meter from box. Inspect the packaging and contents for damage. Report damages, if any, to the carrier.

If any part is missing or the meter malfunctions, please contact your supplier or the factory for assistance.

Panel Mounting Instructions

- Prepare a standard 1/8 DIN panel cutout – 3.622" x 1.772" (92 mm x 45 mm). Refer to Figure 1 below, for more details.
- Clearance: allow at least 6.0" (152 mm) behind the panel for wiring.

- Panel thickness: 0.04" - 0.25" (1.0 mm - 6.4 mm).
Recommended minimum panel thickness to maintain Type 4X rating: 0.06" (1.5 mm) steel panel, 0.16" (4.1 mm) plastic panel.
- Remove the two mounting brackets provided with the meter (back-off the two screws so that there is ¼" (6.4 mm) or less through the bracket. Slide the bracket toward the front of the case and remove).
- Insert meter into the panel cutout.
- Install mounting brackets and tighten the screws against the panel. To achieve a proper seal, tighten the mounting bracket screws evenly until meter is snug to the panel along its short side. DO NOT OVER TIGHTEN, as the rear of the panel may be damaged.



Tolerances:

A: +0.032 (+0.8mm)
-0.000 (-0.0mm)
B: +0.024 (+0.6mm)
-0.000 (-0.0mm)

Figure 1. 1/8 DIN Panel Cutout Dimensions

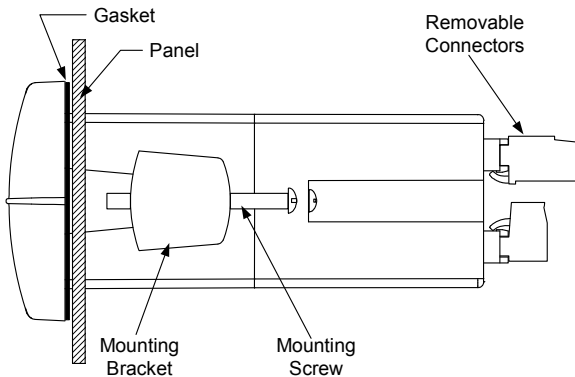


Figure 2. Panel Mounting Details

MOUNTING DIMENSIONS

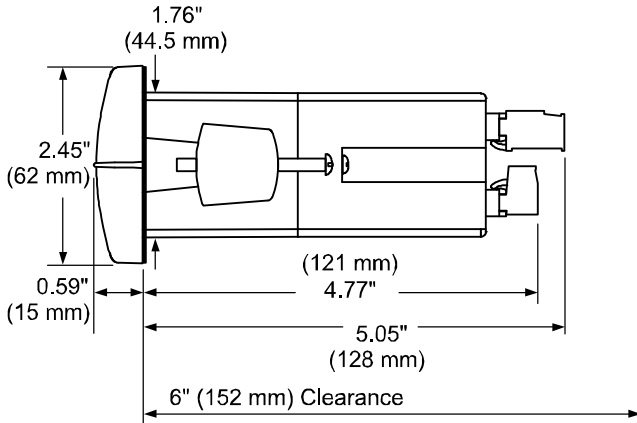


Figure 3. Meter Dimensions - Side View

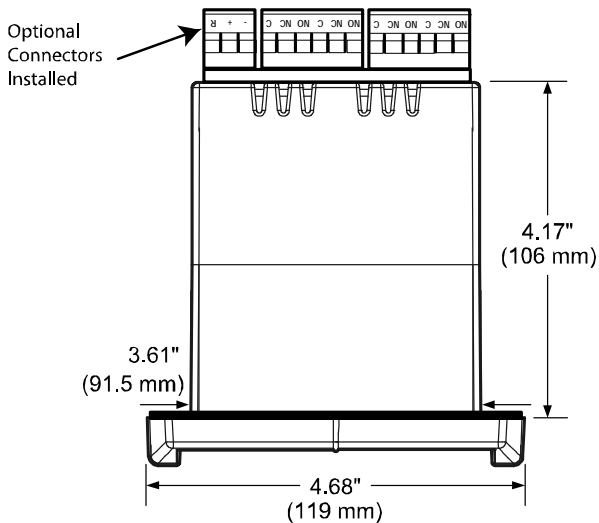


Figure 4. Meter Dimensions - Top View

Configuration for 12 or 24 VDC Power Option**Warning!**

Do not exceed voltage rating of the selected configuration.

Meters equipped with the 12/24 VDC power option are shipped from the factory ready to operate from 24 VDC.

To configure the meter for 12 VDC power:

1. Remove all the connectors.
2. Unscrew the back cover.
3. Slide the back cover about 1 inch.
4. Configure the J9 jumper, located behind the power connector, for 12 V as shown below.

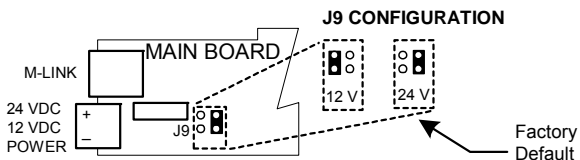


Figure 5. Jumper Configuration for 12/24 VDC Power

Transmitter Supply Voltage Selection (P+, P-)

All meters, including models equipped with the 12/24 VDC power option, are shipped from the factory configured to provide 24 VDC power for the transmitter or sensor.

If the transmitter requires 5 or 10 VDC excitation, the internal jumper J4 must be configured accordingly.

To access the voltage selection jumper:

1. Remove all the wiring connectors.
2. Unscrew the back cover.
3. Slide out the back cover by about 1 inch.
4. Configure the J4 jumper, located behind the input signal connector, for the desired excitation voltage as shown.

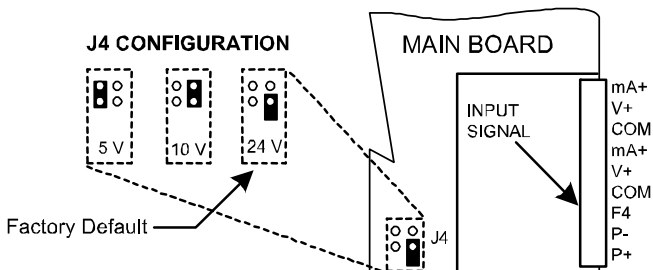


Figure 6. Transmitter Supply Voltage Selection

Connections

All connections are made to removable screw terminal connectors located at the rear of the meter.



Caution!

Use copper wire with 60°C or 60/75°C insulation for all line voltage connections. Observe all safety regulations. Electrical wiring should be performed in accordance with all applicable national, state, and local codes to prevent damage to the meter and ensure personnel safety.

Connectors Labeling

The connectors' label, affixed to the meter, shows the location of all connectors available with requested configuration.



Warning!

Do not connect any equipment other than Precision Digital's expansion modules, cables, or meters to the RJ45 M-LINK connector. Otherwise damage will occur to the equipment and the meter.

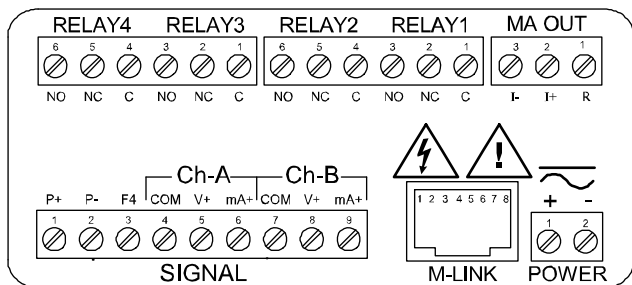
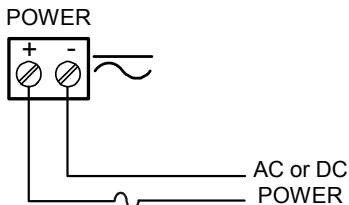


Figure 7. Connector Labeling for Fully Loaded PD6060

Power Connections

Power connections are made to a two-terminal connector labeled POWER on Figure 7. The meter will operate regardless of DC polarity connection. The + and - symbols are only a suggested wiring convention.



Required External Fuse:
5 A max, 250 V Slow Blow

Figure 8. Power Connections

Signal Connections

Signal connections are made to a nine-terminal connector labeled SIGNAL on Figure 7. The COM (common) terminals are the return for the 4-20 mA and the ± 10 V input signals. The two COM terminals connect to the same common return, and are not isolated.

Current and Voltage Connections

The following figures show examples of current and voltage connections. There are no switches or jumpers to set up for current and voltage inputs. Setup and programming is performed through the front panel buttons.

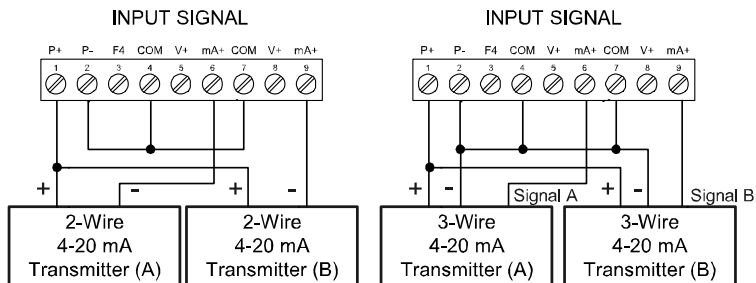


Figure 9. Transmitters Powered by Internal Supply

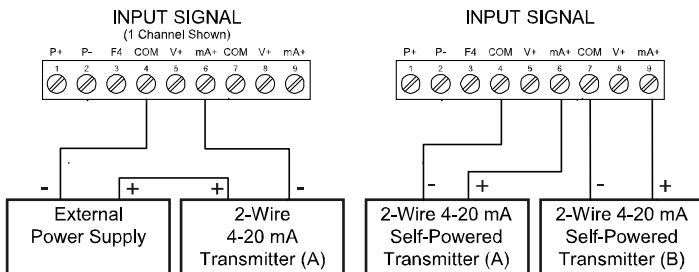


Figure 10. Transmitter Powered by Ext. Supply or Self-Powered

The current input is protected against current overload by a resettable fuse. The display may or may not show a fault condition depending on the nature of the overload.

The fuse limits the current to a safe level when it detects a fault condition, and automatically resets itself when the fault condition is removed.

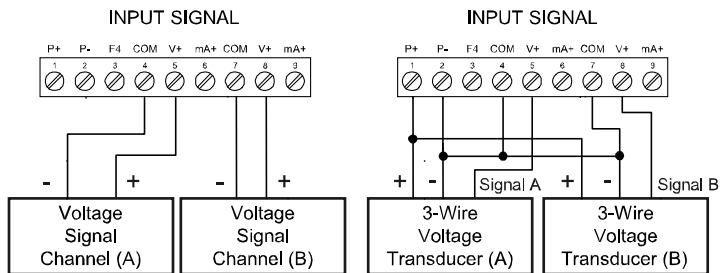


Figure 11. Voltage Input Connections

The meter is capable of accepting any voltage from -10 VDC to +10 VDC.

Modbus RTU Serial Communications

Serial communications connection is made to an RJ45 connector labeled M-LINK on Figure 7. For interfacing to the ProVu[®], use the PDA1232 for RS-232, the PDA1485 for RS-485, or the PDA8008 for USB. The same port is used for interfacing with all expansion modules (e.g. external relays, digital I/O).

Use the PDA1200 meter copy cable for meter-to-meter interfacing for cloning purposes (i.e. copying settings from one meter to other meters).

Relay Connections

Relay connections are made to two six-terminal connectors labeled RELAY1 – RELAY4 on Figure 7. Each relay's C terminal is common only to the normally open (NO) and normally closed (NC) contacts of the corresponding relay. The relays' C terminals should not be confused with the COM (common) terminal of the INPUT SIGNAL connector.

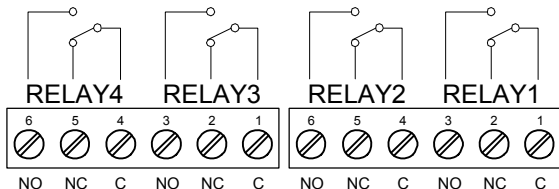


Figure 12. Relay Connections

Switching Inductive Loads

The use of suppressors (snubbers) is strongly recommended when switching inductive loads to prevent disrupting the microprocessor's operation. The suppressors also prolong the life of the relay contacts. Suppression can be obtained with resistor-capacitor (RC) networks assembled by the user or purchased as complete assemblies. Refer to the following circuits for RC network assembly and installation:

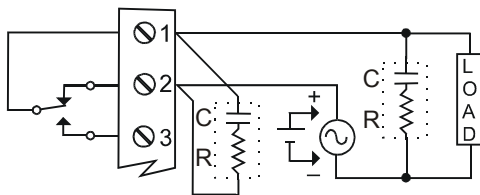


Figure 13. AC and DC Loads Protection

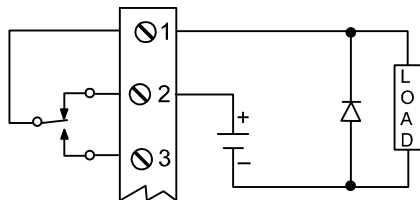
Choose R and C as follows:

R: 0.5 to 1 Ω for each volt across the contacts

C: 0.5 to 1 μF for each amp through closed contacts

Notes:

1. Use capacitors rated for 250 VAC.
2. RC networks may affect load release time of solenoid loads. Check to confirm proper operation.
3. Install the RC network at the meter's relay screw terminals. An RC network may also be installed across the load. Experiment for best results.



Use a diode with a reverse breakdown voltage two to three times the circuit voltage and forward current at least as large as the load current.

Figure 14. Low Voltage DC Loads Protection

RC Networks Available from Precision Digital

RC networks are available from Precision Digital and should be applied to each relay contact switching an inductive load. Part number: PDX6901.

Note: Relays are de-rated to 1/14th HP (50 watts) with an inductive load.

F4 Digital Input Connections

A digital input, F4, is standard on the meter. This digital input connected with a normally open closure across F4 and COM, or with an active low signal applied to F4.

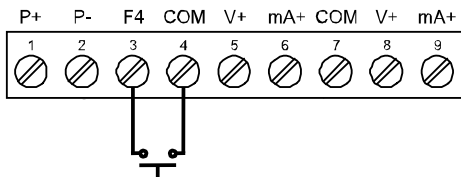


Figure 15. F4 Digital Input Connections

4-20 mA Output Connections

Connections for the 4-20 mA transmitter output are made to the connector terminals labeled MA OUT. The 4-20 mA output may be powered internally or from an external power supply.

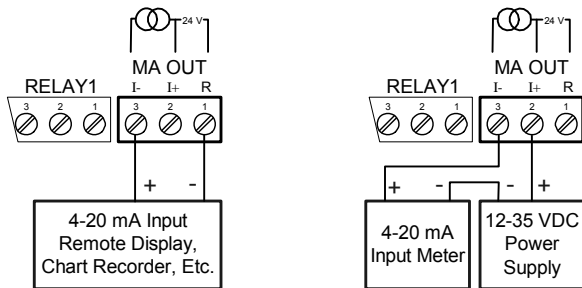


Figure 16. 4-20 mA Output Connections

Analog Output Transmitter Power Supply

The internal 24 VDC power supply powering the analog output may be used to power other devices, if the analog output is not used. The I+ terminal is the +24 V and the R terminal is the return.

External Relay, Analog Output, & Digital I/O Connections

The relay, analog out, and digital I/O expansion modules PDA1004, PDA1011, and PDA1044 are connected to the meter using a CAT5 cable provided with each module. The two RJ45 connectors on the expansion modules are identical and interchangeable; they are used to connect additional modules to the system.

Note: The jumper located between the RJ45 connectors of the PDA1044 must be removed on the second digital I/O module in order for the system to recognize it as module #2.



Warning!

Do not connect or disconnect the expansion modules with the power on!
More detailed instructions are provided with each optional expansion module.

Interlock Relay Feature

As the name implies, the interlock relay feature reassigns one, or more, alarm/control relays for use as interlock relay(s). Interlock contact(s) are wired to digital input(s) and trigger the interlock relay. This feature is enabled by configuring the relay, and relative digital input(s) (see page 61). In one example, dry interlock contacts are connected in series to one digital input which will be used to force on (energize) the assigned interlock power relay when all interlock contacts are closed (safe). The interlock relay front panel LED flashes when locked out. The interlock relay would be wired in-series with the load (N/O contact). See below.

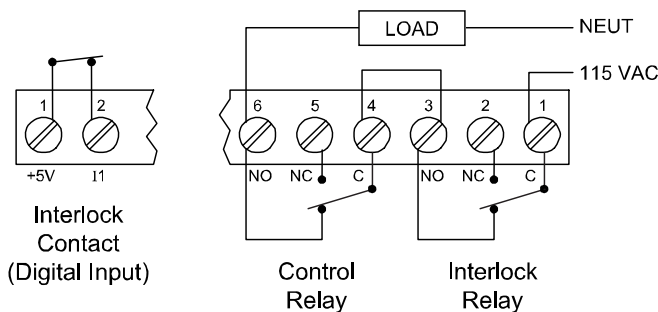


Figure 17. Interlock Connections

SETUP AND PROGRAMMING

The meter is factory calibrated prior to shipment to read in milliamps and volts, depending on the input selection. The calibration equipment is certified to NIST standards.

Overview



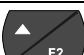

There are no jumpers to set for the meter input selection.

Setup and programming is done through the front panel buttons.

After power and input signal connections have been completed and verified, apply power to the meter.

Front Panel Buttons and Status LED Indicators



Button Symbol	Description
	Menu
	Right arrow/F1
	Up arrow/F2
	Enter/F3
<p><i>Notes:</i> F4 is a digital input. Alarms 5-8 are enabled when relay expansion module installed.</p>	

LED	Status
1-8	Alarm 1-8 indicator
1-8 M	Flashing: Relay in manual control mode
A B C	Channel displayed Flashing: Tare
1-4	Flashing: Relay interlock switch open
<p><i>Note:</i> LEDs for relays in manual mode flash with the "M" LED every 10 seconds.</p>	

- Press the Menu button to enter or exit the Programming Mode at any time.
- Press the Right arrow button to move to the next digit during digit or decimal point programming.
- Press or hold the Up arrow button to scroll through the menus, decimal point, or to increment the value of a digit.
- Press the Enter button to access a menu or to accept a setting.
- Press and hold the Menu button for three seconds to access the advanced features of the meter.

Display Functions & Messages

The following table shows the main menu functions and messages in the order they appear in the menu.

Display	Parameter	Action/Setting Description
SEtUP	Setup	Enter Setup menu
INPUt	Input	Enter Input selection menu
[h-R*	Input	Set input type for channel A (*or B)
m A	4-20 mA	Set meter for 4-20 mA input
VolT	0-10 VDC	Set meter for ± 10 VDC input
un itS	Unit	Select the display units/tags
[h-R*	Unit	Set unit or tag for channel A (*or B or C)
dEc Pt	Decimal point	Set decimal point
[h-R*	Decimal point	Set decimal point for channel A (*or B or C)
PrOG	Program	Enter the Program menu
INcAL	Input calibration	Enter the Input Calibration menu
[h-R*	Input A	Set input type for channel A (*or B)
ScAL A	Scale A	Enter the Scale menu for channel A
ScAL b	Scale B	Enter the Scale menu for channel B
CAL A	Calibrate A	Enter the Calibration menu for channel A
CAL b	Calibrate B	Enter the Calibration menu for channel B
INP 1	Input 1	Calibrate input 1 signal or program input 1 value
d iS 1	Display 1	Program display 1 value
INP 2	Input 2	Calibrate input 2 signal or program input 2 value (up to 32 points)
d iS 2	Display 2	Program display 2 value (up to 32 points)
ErRor	Error	Error, calibration not successful, check signal or programmed value
dSPLRy	Display	Enter the Display menu
b iG	Upper display	Assign the upper display parameter

Display	Parameter	Action/Setting Description
L .tEtE	<i>Lower display</i>	Assign the lower display parameter
d [h-R	<i>Display Ch-A</i>	Assign display to channel A
d [h-b	<i>Display Ch-B</i>	Assign display to channel B
d [h-Ē	<i>Display Ch-C</i>	Assign display to channel C (math)
d Rb	<i>Display AB</i>	Alternate display of channel A & B
d RĒ	<i>Display AC</i>	Alternate display of channel A & C
d bĒ	<i>Display BC</i>	Alternate display of channel B & C
d RbĒ	<i>Display ABC</i>	Alternate display of channel A, B, & C
d SEt 1*	<i>Display set 1*</i>	Displays relay 1(**through 8) set point.
d H i-R	<i>Display high A</i>	Display high value of channel A
d Lo-R	<i>Display low A</i>	Display low value of channel A
d HL-R	<i>Display hi/low A</i>	Alternate between high/low value of channel A
d H i-b	<i>Display high B</i>	Display high value of channel B
d Lo-b	<i>Display low B</i>	Display low value of channel B
d HL-b	<i>Display high/low B</i>	Alternate between high/low value of channel B
d H i-Ē	<i>Display high C</i>	Display high value of channel C
d Lo-Ē	<i>Display low C</i>	Display low value of channel C
d HL-Ē	<i>Display high/low C</i>	Alternate between high/low value of channel C
d R-u	<i>Display A and units/tags</i>	Alternate display of channel A and the unit/tag
d b-u	<i>Display B and units/tags</i>	Alternate display of channel B and the unit/tag
d Ē-u	<i>Display B and units/tags</i>	Alternate display of channel C and the unit/tag
R Ēr oS	<i>Display A gross</i>	Display input channel A gross (no tare)
R nt-Ē	<i>Display A net and gross</i>	Alternate display of channel A net (tare) and gross (no tare)
b Ēr oS	<i>Display B gross</i>	Display input channel B gross (no tare)

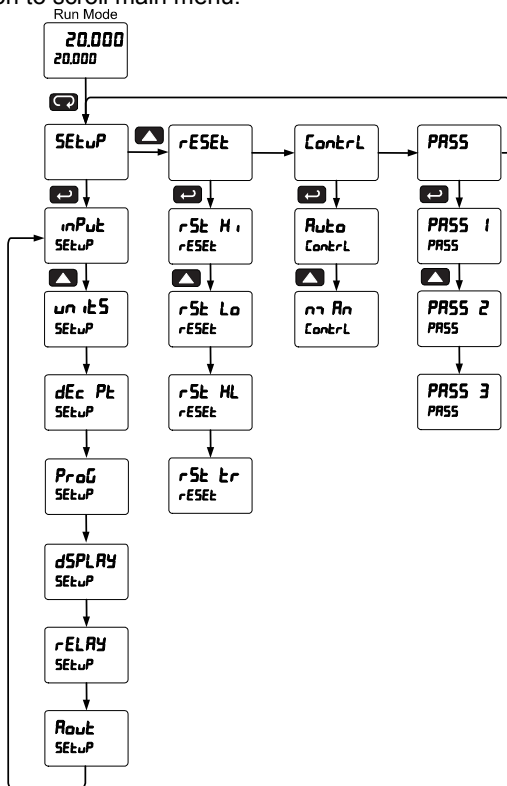
Display	Parameter	Action/Setting Description
b nE-G	<i>Display B net and gross</i>	Alternate display of channel B net (tare) and gross (no tare)
n n bU5	<i>Display Modbus</i>	Display Modbus input register
d oFF	<i>Display off</i>	Display blank little display
d un E	<i>Display unit</i>	Display big display channel units
d- intY	<i>Display intensity</i>	Set display intensity level from 1 to 8
rELRY	<i>Relay</i>	Enter the <i>Relay</i> menu
R55 n	<i>Assignment</i>	Assign relays to channels or Modbus
R5 n 1	<i>Assign 1</i>	Relay 1 assignment
Eh-R*	<i>Channel A*</i>	Assign relay to channel A (*or B or C)
n n bU5	<i>Modbus</i>	Assign relay to Modbus register
rLY 1	<i>Relay 1</i>	Relay 1 setup
RcE 1	<i>Action 1</i>	Set relay 1 action
RuEo	<i>Automatic</i>	Set relay for automatic reset
R-nRn	<i>Auto-manual</i>	Set relay for auto or manual reset any time
LRLEH	<i>Latching</i>	Set relay for latching operation
LE-ELr	<i>Latching-cleared</i>	Set relay for latching operation with manual reset only after alarm condition has cleared
RLLErn	<i>Alternate</i>	Set relay for pump alternation control
SPn PL	<i>Sample</i>	Set relay for sample time trigger control
OFF	<i>Off</i>	Turn relay off
FR L5F	<i>Fail-safe</i>	Enter <i>Fail-safe</i> menu
FL5 1*	<i>Fail-safe 1</i>	Set relay 1 (**through 8) fail-safe operation
on	<i>On</i>	Enable fail-safe operation
oFF	<i>Off</i>	Disable fail-safe operation
dELRY	<i>Delay</i>	Enter relay <i>Time Delay</i> menu
dLY 1	<i>Delay 1</i>	Enter relay 1 time delay setup
On 1	<i>On 1</i>	Set relay 1 On time delay

Display	Parameter	Action/Setting Description
OFF 1	Off 1	Set relay 1 Off time delay
dLY 2	Delay 2	Enter relays 2-8 time delay setup
brEAK	Loop break	Set relay condition if loop break detected
Ignore	Ignore	Ignore loop break condition (Processed as a low signal condition)
On	On	Relay goes to alarm condition when loop break detected
OFF	Off	Relay goes to non-alarm condition when loop break detected
Aout	Analog output	Enter the <i>Analog output</i> scaling menu
AOut 1*	Aout channel	Analog Output source channel (*1-3)
dIS 1	Display 1	Program display 1 value
Out 1	Output 1	Program output 1 value (e.g. 4.000 mA)
dIS 2	Display 2	Program display 2 value
Out 2	Output 2	Program output 2 value (e.g. 20.000 mA)
rESEt	Reset	Press Enter to access the <i>Reset</i> menu
rSt H 1	Reset high	Press Enter to reset max display
rSt Lo	Reset low	Press Enter to reset min display
rSt HL	Reset high & low	Press Enter to reset max & min displays
rSt tr	Reset tare	Press Enter to reset (cancel) tare
Control	Control	Enter <i>Control</i> menu
Auto	Automatic	Press Enter to set meter for automatic operation
Man An	Manual	Press Enter to manually control relays or analog output operation
PRSS	Password	Enter the <i>Password</i> menu
PRSS 1*	Password 1*	Set or enter Password 1 (*through 3)
unLoc	Unlocked	Program password to lock meter
Locd	Locked	Enter password to unlock meter
999999 -999999	Flashing	Over/under range condition

Main Menu

The main menu consists of the most commonly used functions: *Reset*, *Control*, *Setup*, and *Password*.

- Press Menu button to enter Programming Mode then press the Up arrow button to scroll main menu.



- Press Menu, at any time, to exit and return to Run Mode. Changes made to settings prior to pressing Enter are not saved.
- Changes to the settings are saved to memory only after pressing Enter.
- The display moves to the next menu every time a setting is accepted by pressing Enter.

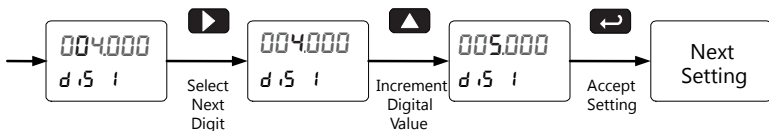
Setting Numeric Values

The numeric values are set using the Right and Up arrow buttons. Press Right arrow to select next digit and Up arrow to increment digit value.

The digit being changed is displayed brighter than the rest.

Press and hold up arrow to auto-increment the display value.

Press the Enter button, at any time, to accept a setting or Menu button to exit without saving changes.

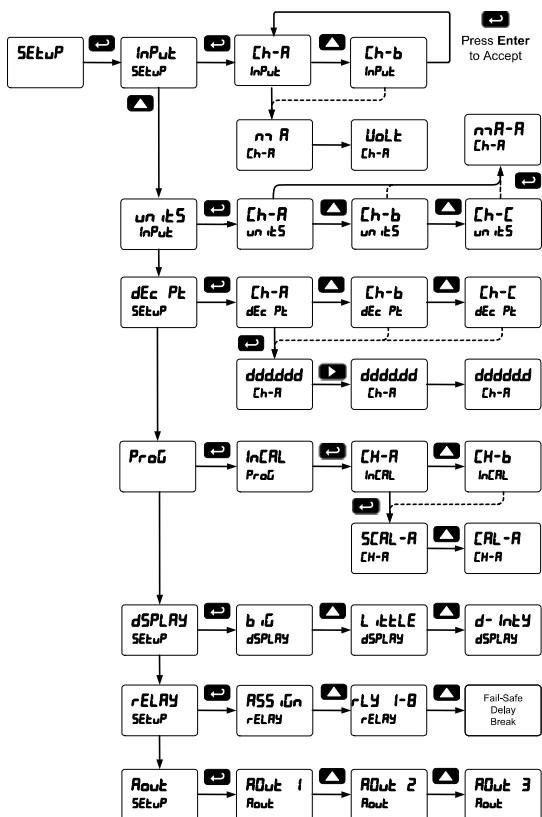


Setting Up the Meter (SEtUP)

The *Setup* menu is used to select:

1. Input signal the meter will accept for channel A and channel B
2. Units for A, B, and C
3. Decimal point position for A, B, and C
4. Program the meter using the Scale or Calibrate functions
5. Display parameter and intensity
6. Relay assignment and operation
7. 4-20 mA analog output scaling

Press the Menu button to exit at any time.



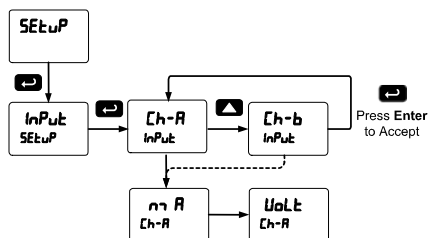
Setting the Input Signal (*INPt*)

Enter the *Input* menu to set up the meter to display current (*mA*) or voltage (*Volt*) inputs for channel A and channel B.

The current input is capable of accepting any signal from 0 to 20 mA. Select current input to accept 0-20 mA or 4-20 mA signals.

The voltage input is capable of accepting any signal from -10 to +10 VDC. Select voltage input to accept 0-5, 1-5, 0-10, or ± 10 VDC signals.

Channel C is the Math Function calculation, which is set up in the Advanced Features menu.



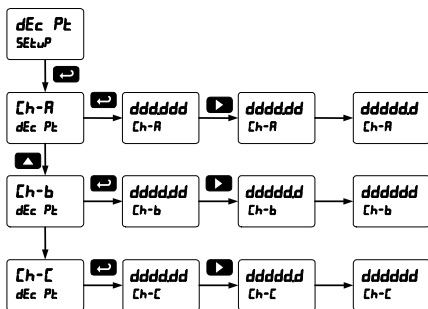
Setting the Decimal Point (*dEc Pt*)

The decimal point may be set with up to five decimal places or with no decimal point at all.

Pressing the Right arrow moves the decimal point one place to the right until no decimal point is displayed, and then it moves to the leftmost position.

There are three decimal points to set up for three channels: Ch-A, Ch-B, and Ch-C.

After the decimal points are set up, the meter moves to the *Program* menu.



Programming the Meter (Prog)

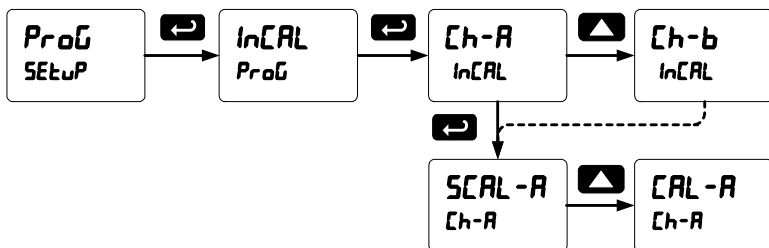
It is **very important** to read the following information, before proceeding to program the meter:

- The meter is factory calibrated prior to shipment to read in milliamps and volts depending on the input selection. The calibration equipment is certified to NIST standards.
- Use the *Scale* menu to scale the process input (e.g. 4-20 mA). A calibrated signal source is not needed to scale the meter.
- Use the *Calibrate* menu to apply a signal from a calibrator or a flowmeter.

The *Program* menu contains the *Scale* and the *Calibrate* menus for channels A & B.

The process inputs may be calibrated or scaled to any display value within the range of the meter.

Note: The Scale and Calibrate functions are exclusive of each other. The meter uses the last function programmed. Only one of these methods can be employed at a time. The Scale and Calibrate functions can use up to 32 points (default is 2). The number of points should be set in the Advanced Menu under the menu selection prior to scaling and calibration of the meter, see page 75 for details.



Multi-Point Linearization (Linear)

The process inputs may be calibrated or scaled to any display value within the range of the meter. The meter is set up at the factory for 2-point linear calibration.

Up to 32 linearization points may be selected. See page 75 for details.

MeterView[®] Pro Software

The meter can also be programmed using the PC-based MeterView Pro software available for free download at www.predig.com.

Data logging for one meter at the time is available with MeterView Pro software. More advanced data acquisition may be accomplished by using any Modbus RTU compliant software.

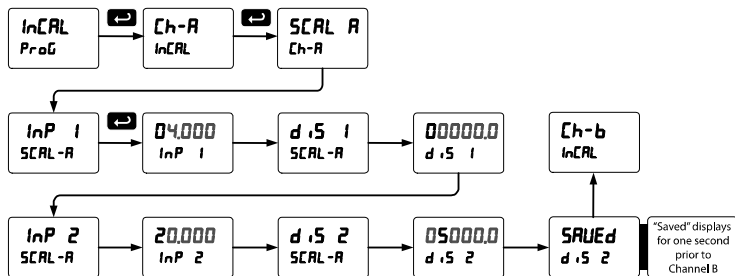
In order to program the meter using a computer, the meter must be connected using a USB, RS-232, or RS-485 serial adapter, see ORDERING INFORMATION on page 7 for details.

Scaling the Meter without a Signal Source

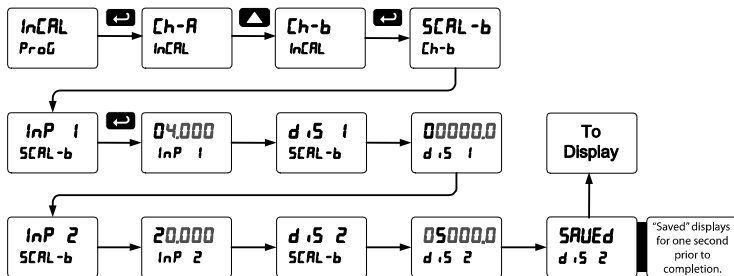
The process inputs (4-20 mA, ± 10 VDC) can be scaled to display the process variables in engineering units.

A signal source is not needed to scale the meter; simply program the inputs and corresponding display values.

Scaling the Meter for Channel A (SCAL-A)



Scaling the Meter for Channel B (SCAL-b)



For instructions on how to program numeric values see *Setting Numeric Values*, page 33.

Error Message (*Error*)

An error message indicates that the calibration or scaling process was not successful.

After the error message is displayed, the meter reverts to input 2 during calibration or scaling and to input 1 during internal calibration, allowing the appropriate input signal to be applied or programmed.

The error message might be caused by any of the following conditions:

1. Input signal is not connected to the proper terminals or it is connected backwards.
2. Wrong signal selection in *Setup* menu.
3. Minimum input span requirements not maintained.
4. Input 1 signal inadvertently applied to calibrate input 2.

Minimum Input Span

The minimum input span is the minimum difference between input 1 and input 2 signals required to complete the calibration or scaling of the meter.

Input Range	Input 1 & Input 2 Span
4-20 mA	0.15 mA
±10 VDC	0.10 VDC

Calibrating the Meter with External Source

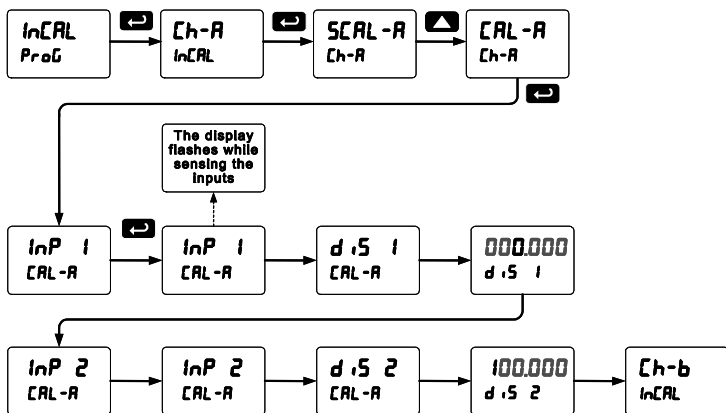
To scale the meter without a signal source refer to *Scaling the Meter without a Signal Source*, page 37.

Warm up the meter for at least 15 minutes before performing calibration to ensure specified accuracy.

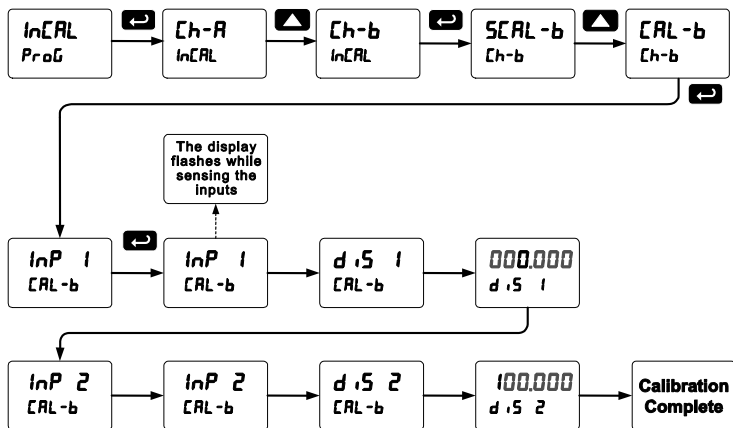
The meter can be calibrated to display the process variable in engineering units by applying the appropriate input signal and following the calibration procedure.

The use of a calibrated signal source is strongly recommended to calibrate the meter.

Calibrating the Meter for Channel A (CAL-A)



Calibrating the Meter for Channel B (CAL-b)



Setting the Display Parameter & Intensity (d5PLA4)

The Upper display (b 4) can be programmed to display:

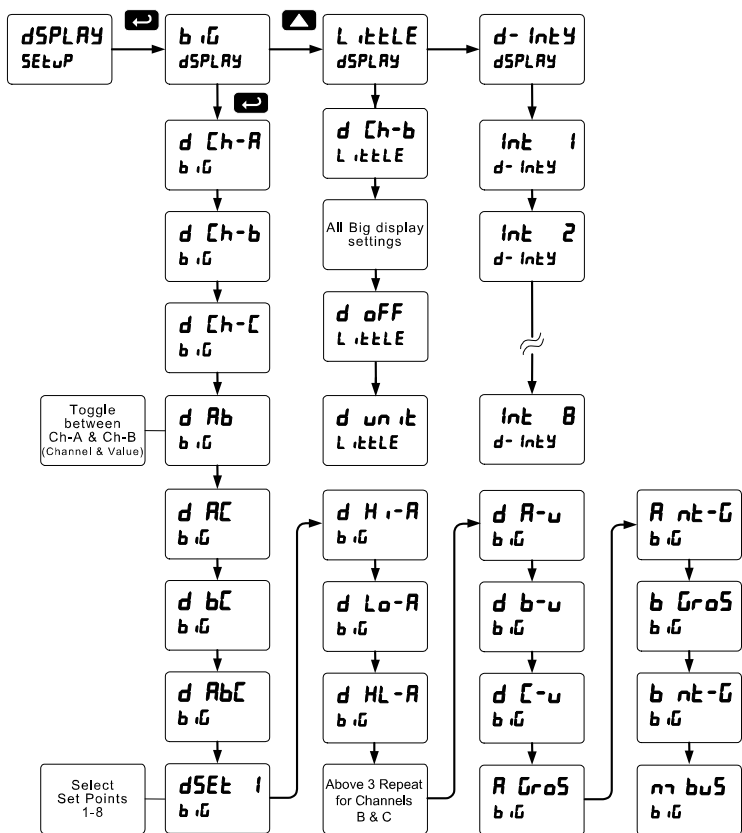
1. Process value Ch-A
2. Process value Ch-B
3. Process value Ch-C
4. Toggle between Ch-A & Ch-B, Ch-A & Ch-C, Ch-B & Ch-C, and Ch-A, Ch-B, & Ch-C
5. Relay set points
6. Max & min values for each channel
7. Toggle between Channel & units
8. Channel gross value (no tare) or toggle net (tare) and gross values
9. Modbus input

The Lower display (L 4LE) can be programmed to display:

1. Process value Ch-A
2. Process value Ch-B
3. Process value Ch-C
4. Toggle between Ch-A & Ch-B, Ch-A & Ch-C, Ch-B & Ch-C, and Ch-A, Ch-B, & Ch-C
5. Relay set points
6. Max & min values for each channel
7. Toggle between Channel & units
8. Channel gross value (no tare) or toggle net (tare) and gross values
9. Modbus input
10. Off (no display)
11. Engineering units or custom legends

Display Intensity: The meter has eight display intensity levels to give the best performance under various lighting conditions. Select intensity 8 for outdoor applications. The default intensity setting is 8.

Display Setup Menu



After setting up the input and display, press the Menu button to exit programming and skip the rest of the setup menu.

The displays can be set up to read channels A, B, or C, toggle between A & B, B & C, A & C, A & B & C, toggle between channels A, B, or C & units, the max/min of any of the channels, including the math channel (C), set points, gross (without tare) or net (with tare) & gross values of channel A or B, or the Modbus input. In addition to the parameters available on the Upper display, the Lower display can display Engineering units or it could be turned off.

Setting the Input Units or Custom Tags (UNIT5)

Enter the input unit or custom tag that will be displayed if alternating process input and units is selected in the UNIT5 menu, or d UNIT is selected as the lower display parameter. See the flow chart on page 42 to access the display menu to show the unit or tag on the lower display. The engineering units or custom legends can be set using the following 7-segment character set:

Display	Character
0	0
1	1
2	2
3	3
4	4
5	5
6	6
7	7
8	8
9	9
A	A
b	b
C	C
c	c
d	d
E	E
F	F
G	G
g	g
H	H
h	h
I	I
i	i
J	J

Display	Character
K	K
L	L
m	m
n	n
O	O
o	o
P	P
q	q
r	r
S	S
t	t
u	u
V	V
w	w
X	X
Y	Y
Z	Z
-	-
/	/
]]
[[
=	=
Degree(<)	Degree(<)
Space	Space

Notes: Degree symbol represented by (<) if programming with MeterView[®] Pro. The letters "m" and "w" use two 7-segment LEDs each; when selected the characters to the right are shifted one position.

Press and hold up arrow to auto-scroll the characters in the display.

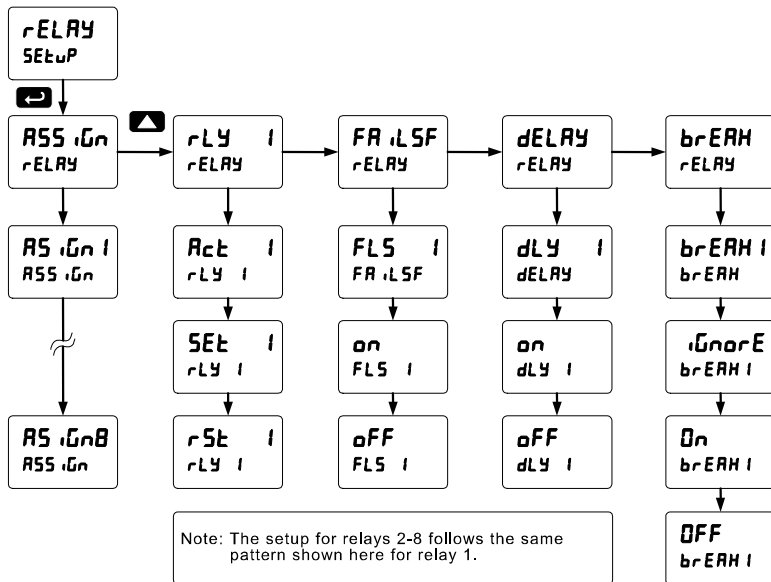
Setting the Relay Operation (rELAY)

This menu is used to set up the assignment and operation of the relays.

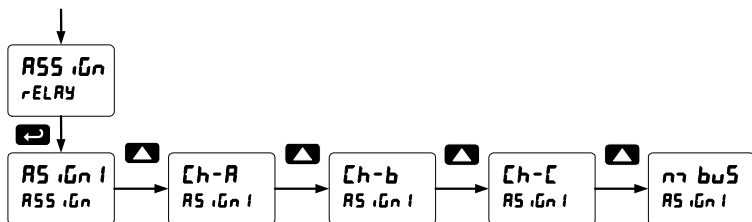
**Caution!**

During setup, the relays do not follow the input and they will remain in the state found prior to entering the Relay menu.

1. Relay assignment
 - a. Channel A
 - b. Channel B
 - c. Channel C (Math channel)
 - d. Modbus
2. Relay action
 - a. Automatic reset only (non-latching)
 - b. Automatic + manual reset at any time (non-latching)
 - c. Latching (manual reset only)
 - d. Latching with Clear (manual reset only after alarm condition has cleared)
 - e. Pump alternation control (automatic reset only)
 - f. Sampling (the relay is activated for a user-specified time)
 - g. Off (relay state controlled by Interlock feature)
3. Set point
4. Reset point
5. Fail-safe operation
 - a. On (enabled)
 - b. Off (disabled)
6. Time delay
 - a. On delay (0-999.9 seconds)
 - b. Off delay (0-999.9 seconds)
7. Relay action for loss (break) of 4-20 mA input (ignore, on, off)



Setting the Relay Assignment (ASSIGN)

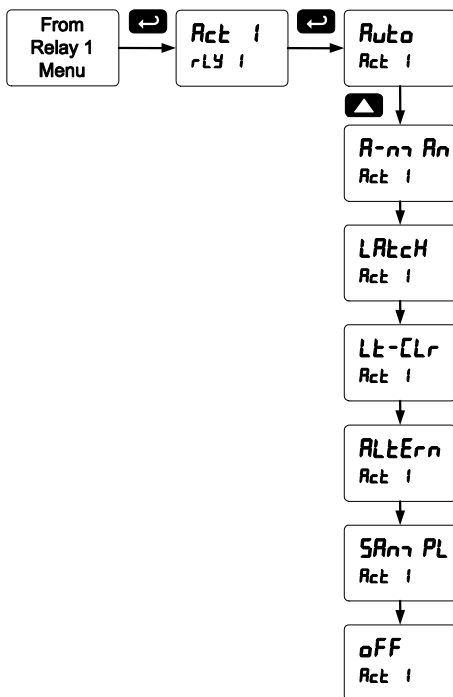


Setting the Relay Action

Operation of the relays is programmed in the *Action* menu. The relays may be set up for any of the following modes of operation:

1. Automatic reset (non-latching)
2. Automatic + manual reset at any time (non-latching)
3. Latching (manual reset only, at any time)
4. Latching with Clear (manual reset only after alarm condition has cleared)
5. Pump alternation control (automatic reset only)
6. Sampling (the relay is activated for a user-specified time)
7. Off (relay state controlled by Interlock feature)

The following graphic shows relay 1 action setup; relay 2-8 are set up in a similar fashion.



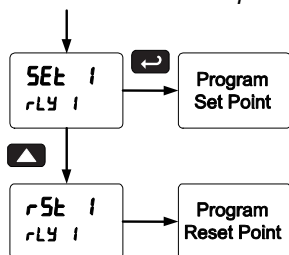
Programming Set and Reset Points

High alarm indication: program set point above reset point.

Low alarm indication: program set point below reset point.

The deadband is determined by the difference between set and reset points. Minimum deadband is one display count. If the set and reset points are programmed with the same value, the relay will reset one count below the set point.

Note: Changes are not saved until the reset point has been accepted.



Setting Fail-Safe Operation

In fail-safe mode of operation, the relay coil is energized when the process variable is within safe limits and the relay coil is de-energized when the alarm condition exists. The fail-safe operation is set independently for each relay. Select **on** to enable or select **off** to disable fail-safe operation.

Programming Time Delay

The *On* and *Off* time delays may be programmed for each relay between 0 and 999.9 seconds. The relays will transfer only after the condition has been maintained for the corresponding time delay.

The *On* time delay is associated with the set point.

The *Off* time delay is associated with the reset point.

Relay Action for Loss of 4-20 mA Input (Loop Break)

The loop break feature is associated with the 4-20 mA input. Each relay may be programmed to go to one of the following conditions when the meter detects the loss of the input signal (i.e. < 0.005 mA):

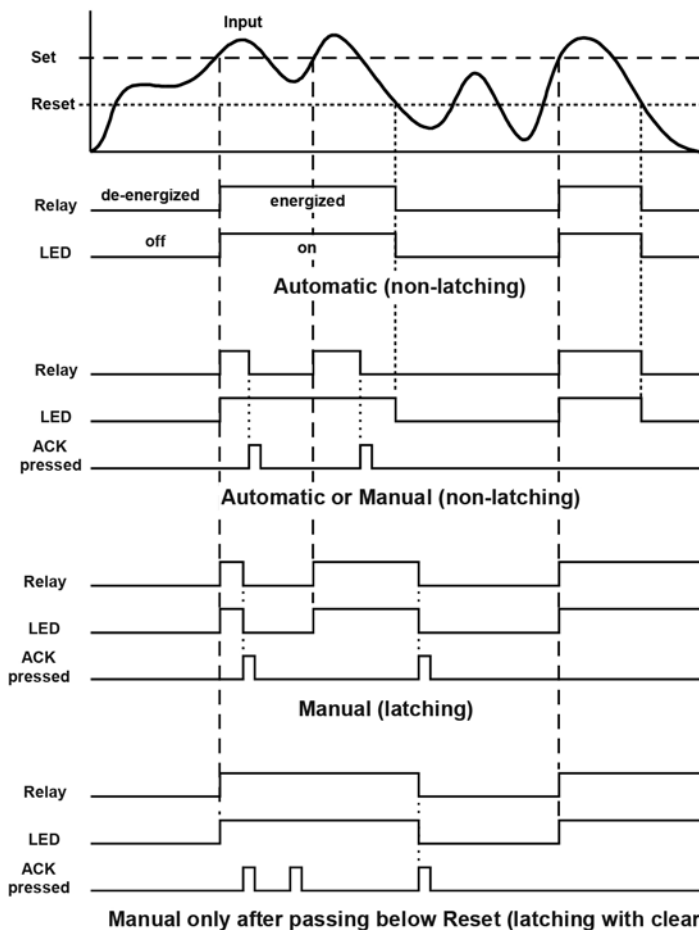
1. Turn *On* (Go to alarm condition)
2. Turn *Off* (Go to non-alarm condition)
3. Ignore (Processed as a low signal condition)

Note: This is not a true loop break condition; if the signal drops below 0.005 mA, it is interpreted as a "loop break" condition.

Relay and Alarm Operation Diagrams

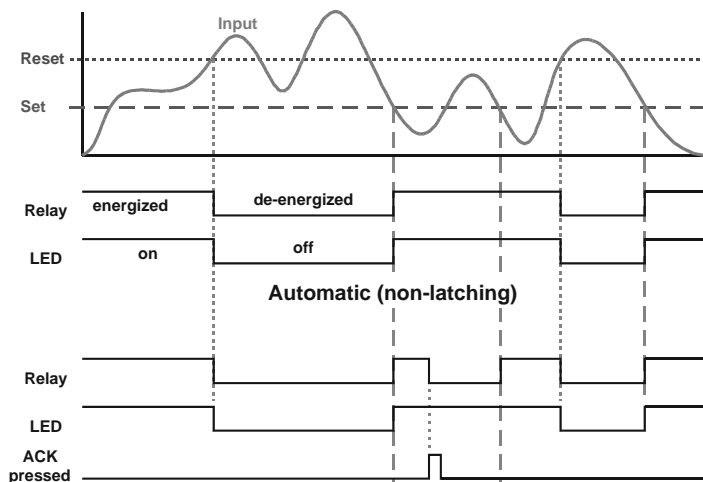
The following graphs illustrate the operation of the relays, status LEDs, and ACK button.

High Alarm Operation (Set > Reset)

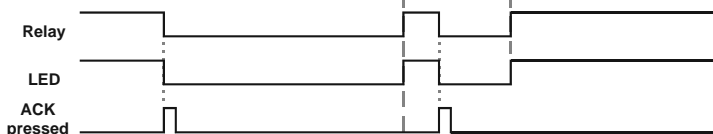


For Manual reset mode, ACK can be pressed anytime to turn "off" relay. To detect a new alarm condition, the signal must go below the set point, and then go above it.

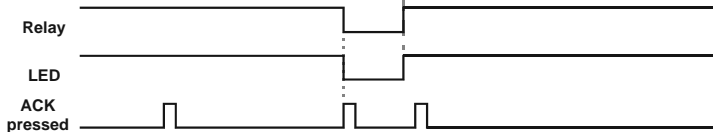
Low Alarm Operation (Set < Reset)



Automatic or Manual (non-latching)



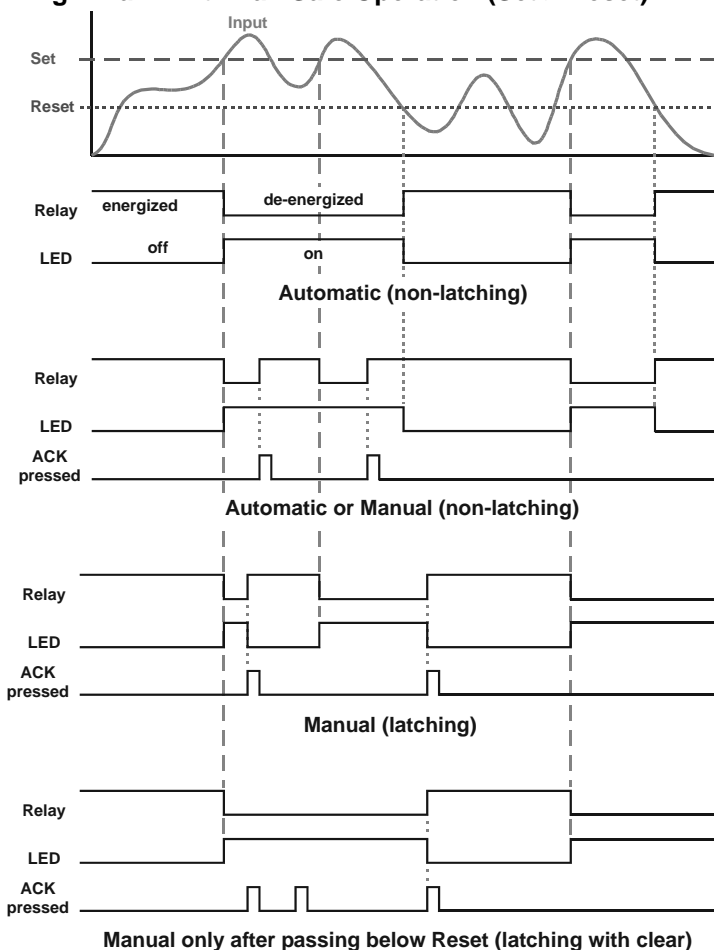
Manual (latching)



Manual only after passing above Reset (latching with clear)

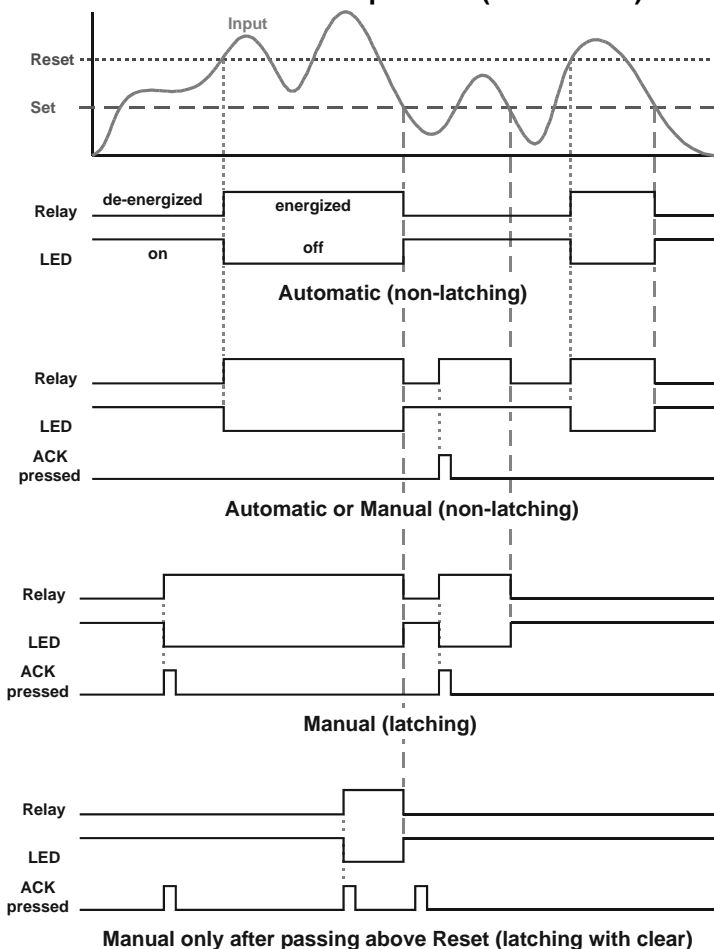
For Manual reset mode, ACK can be pressed anytime to turn "off" relay. For relay to turn back "on", signal must go above set point, and then go below it.

High Alarm with Fail-Safe Operation (Set > Reset)



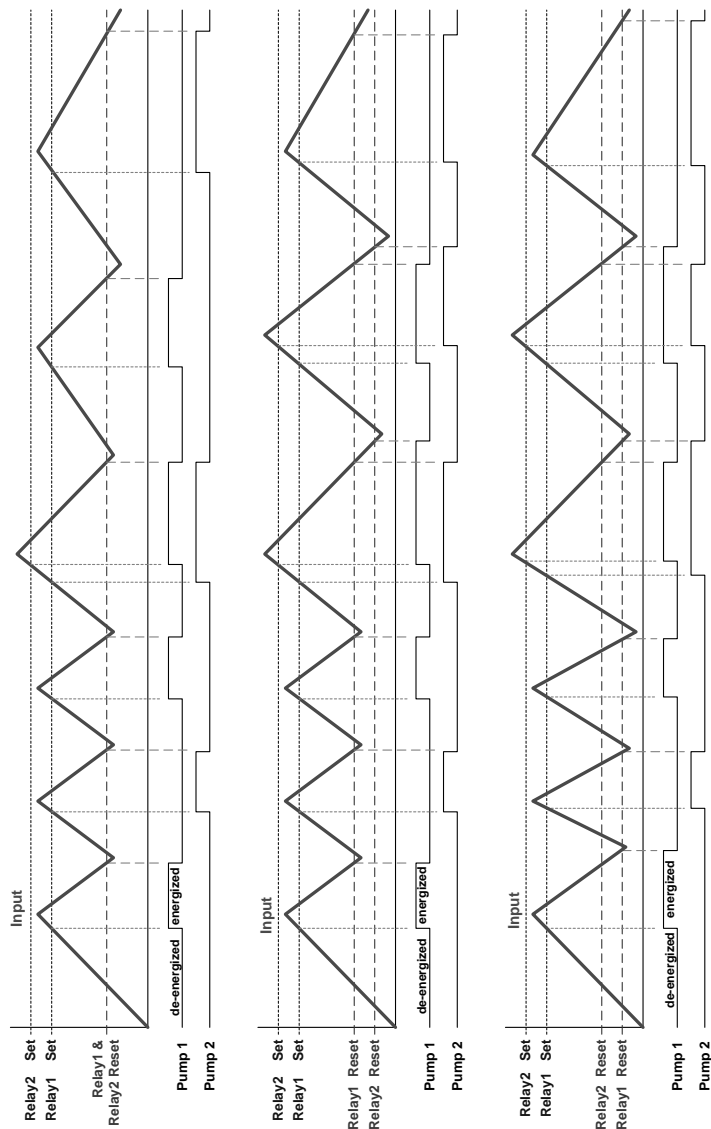
*Note: Relay coil is energized in non-alarm condition.
In case of power failure, relay will go to alarm state.*

Low Alarm with Fail-Safe Operation (Set < Reset)

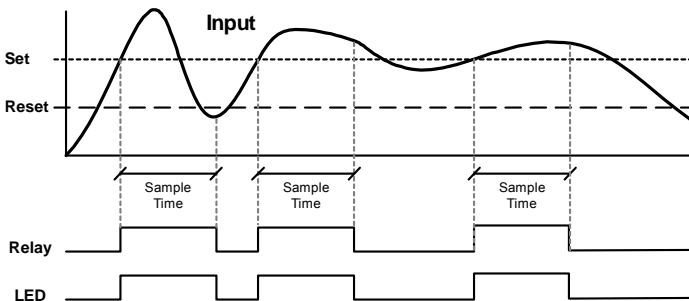


*Note: Relay coil is energized in non-alarm condition.
In case of power failure, relay will go to alarm state.*

Pump Alternation Control Operation



Relay Sampling Operation

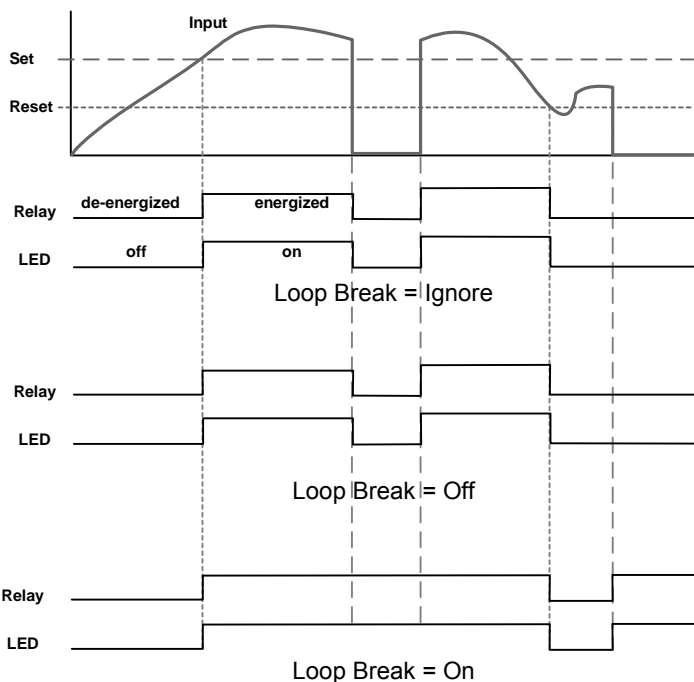


When the signal crosses the set point, the relay trips and the sample time starts. After the sample time has elapsed, the relay resets. The cycle repeats every time the set point is crossed, going up for high alarms and going down for low alarms.

The sample time can be programmed between 0.1 and 5999.9 seconds.

Signal Loss or Loop Break Relay Operation

The following graph shows the loop break relay operation for a high alarm relay.

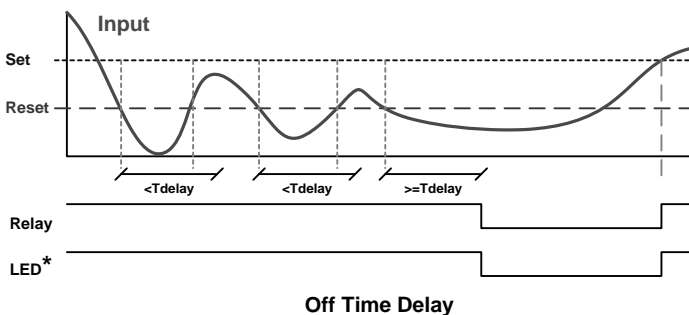
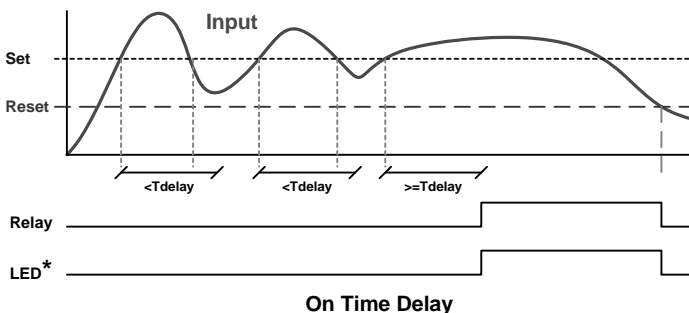


When the meter detects a break in the 4-20 mA loop, the relay will go to one of the following selected actions:

1. Turn *On* (Go to alarm condition)
2. Turn *Off* (Go to non-alarm condition)
3. Ignore (Processed as a low signal condition)

Time Delay Operation

The following graphs show the operation of the time delay function.



When the signal crosses the set point, the *On* time delay timer starts and the relay trips when the time delay has elapsed. If the signal drops below the set point (high alarm) before the time delay has elapsed, the *On* time delay timer resets and the relay does not change state. The same principle applies to the *Off* time delay.

Note: If "Automatic or Manual (R-n Rn)" reset mode is selected, the LED follows the reset point and not the relay state when the relay is acknowledged.

Relay Operation Details

Overview

The relay capabilities of the meter expand its usefulness beyond simple indication to provide users with alarm and control functions. These capabilities include front panel alarm status LEDs as well as either 2 or 4 optional internal relays and/or 4 external relays expansion module. Typical applications include high or low temperature, level, pressure or flow alarms, control applications such as simple on/off pump control, and pump alternation control for up to 8 pumps. There are four basic ways the relays can be used:

1. High or Low Alarms with Latching or Non-Latching Relays
2. Simple On/Off Control with 100% Adjustable Deadband
3. Sampling (Based on Time)
4. Pump Alternation Control for up to 8 Pumps

Relays Auto Initialization

When power is applied to the meter, the front panel LEDs and alarm relays will reflect the state of the input to the meter. The following table indicates how the alarm LEDs and relays will react on power-up based on the set and reset points:

Alarm #	HI or LO Alarm	Set Point	Reset Point	Power-Up Reading	Relay & LED
1	HI	1000	500	499	Off
2	LO	700	900	499	On
3	LO	250	400	499	Off
4	HI	450	200	499	On

Fail-Safe Operation

The following table indicates how the relays behave based on the fail-safe selection for each relay:

Fail-Safe Selection	Non-Alarm State		Alarm State		Power Failure
	NO	NC	NO	NC	
Off	Open	Closed	Closed	Open	Relays go to non-alarm state
On	Closed	Open	Open	Closed	Relays go to alarm state

Note: NO = Normally Open, NC = Normally Closed. This refers to the condition of the relay contacts when the power to the meter is off.

Front Panel LEDs

The LEDs on the front panel provide status indication for the following:

LED	Status
1	Alarm 1
2	Alarm 2
3	Alarm 3
4	Alarm 4

LED	Status
5	Alarm 5
6	Alarm 6
7	Alarm 7
8	Alarm 8

The meter is supplied with four alarm points that include front panel LEDs to indicate alarm conditions. This standard feature is particularly useful for alarm applications that require visual-only indication. The LEDs are controlled by the set and reset points programmed by the user. When the display reaches a set point for a high or low alarm, the corresponding alarm LED will turn on. When the display returns to the reset point the LED will go off. The front panel LEDs responds differently for latching and non-latching relays.

For non-latching relays, the LED is always off during normal condition and always on during alarm condition, regardless of the state of the relay (e.g. Relay acknowledged after alarm condition).

For latching relays, the alarm LEDs reflects the status of the relays, regardless of the alarm condition. The following tables illustrate how the alarm LEDs function in relation to the relays and the acknowledge button (Default: F3 key assigned to ACK):

Latching and Non-Latching Relay Operation

The relays can be set up for latching (manual reset) or non-latching (automatic reset) operation.

Relay terminology for following tables

Terminology	Relay Condition
On	Alarm (Tripped)
Off	Normal (Reset)
Ack	Acknowledged

The On and Off terminology does not refer to the status of the relay's coil, which depends on the fail-safe mode selected.



Warning!

In latching relay mode, latched relays will reset (unlatch) when power is cycled.

Non-Latching Relay (R_uL_o)**Automatic reset only**

Condition	LED	Relay
Normal	Off	Off
Alarm	On	On
Ack (No effect)	On	On
Normal	Off	Off

In this application, the meter is set up for automatic reset (non-latching relay). Acknowledging the alarm while it is still present has no effect on either the LED or the relay. When the alarm finally goes away, the relay automatically resets and the LED also goes off.

Non-Latching Relay (R_n-_n R_n)**Automatic + manual reset at any time**

Condition	LED	Relay
Normal	Off	Off
Alarm	On	On
Normal	Off	Off
Next Alarm	On	On
Ack	On	Off
Normal	Off	Off

In this application, the meter is set up for automatic and manual reset at any time (non-latching relay). The LED and the relay automatically reset when the meter returns to the normal condition.

The next time an alarm occurs, the operator acknowledges the alarm manually while the alarm condition still exists. This causes the relay to reset, but the LED stays on until the meter returns to the normal condition.

Latching Relay (L_RL_cH)**Manual reset any time**

Condition	LED	Relay
Normal	Off	Off
Alarm	On	On
Ack	Off	Off

In this application, the meter is set up for manual reset at any time. Acknowledging the alarm even if the alarm condition is still present resets the relay and turns off the LED.

Latching Relay (L_L-[L_r])

Manual reset only after alarm condition has cleared

Condition	LED	Relay
Normal	Off	Off
Alarm	On	On
Ack (No effect)	On	On
Normal	On	On
Ack	Off	Off

In this application, the meter is set up for manual reset only after the signal passes the reset point (alarm condition has cleared).

Acknowledging the alarm while it is still present has no effect on either the LED or the relay. When the alarm is acknowledged after it returns to the normal state, the LED and the relay go off. Notice that the LED remains on, even after the meter returns to the normal condition. This is because, for latching relays, the alarm LED reflects the status of the relay, regardless of the alarm condition.

Acknowledging Relays

There are two ways to acknowledge relays programmed for manual reset:

1. Via the programmable front panel function keys F1-F3 (Default: F3 assigned to ACK).
2. Remotely via a normally open pushbutton wired across one of the digital inputs and the +5 V terminals on the digital I/O modules, or using the F4 digital input, which is triggered with a contact closure to COM, or with an active low signal (see page 24).

When the ACK button or the assigned digital input is closed, all relays programmed for manual reset are acknowledged.

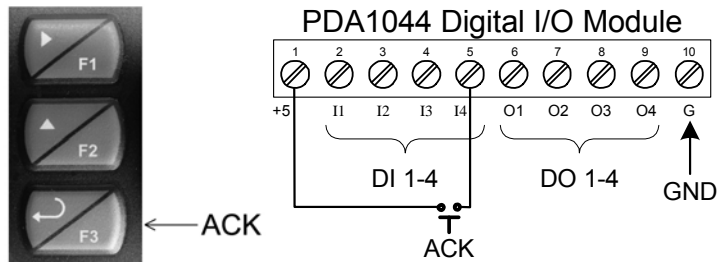


Figure 18. Acknowledge Relays w/Function Key or Digital Input

Pump Alternation Control Applications (ALTErn)

For pump control applications where two or more similar pumps are used to control the level of a tank or a well, it is desirable to have all the pumps operate alternately. This prevents excessive wear and overheating of one pump over the lack of use of the other pumps.

Up to 8 relays can be set up to alternate every time an on/off pump cycle is completed. The set points and reset points can be programmed, so that the first pump on is the first pump off.

Application #1: Pump Alternation Using Relays 1 & 2

1. Relays 1 and 2 are set up for pump alternation.
2. Relays 3 and 4 are set up for low and high alarm indication.

Set and Reset Point Programming with Pump Alternation

Relay	Set Point	Reset Point	Function
1	30.000	10.000	Controls pump 1 & 2
2	35.000	5.000	Sets dual pump trigger
3	4.000	9.000	Controls low alarm
4	40.000	29.000	Controls high alarm

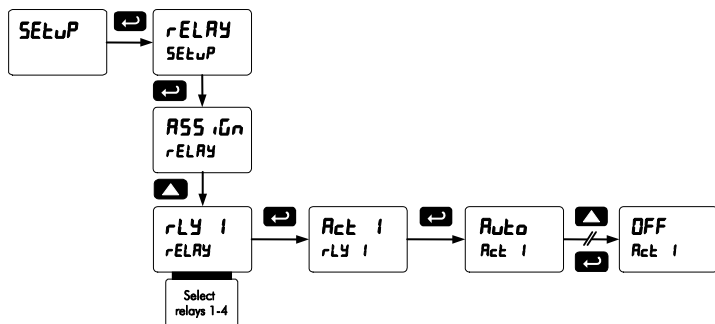
Pump Alternation Operation

1. Pump #1 turns on when level reaches 30.000, when level drops below 10.000 pump #1 turns off.
2. The next time level reaches 30.000, pump #2 turns on, when level drops below 10.000, pump #2 turns off.
3. If the level doesn't reach 35.000 pump #1 and pump #2 will be operating alternately.
4. If pump #1 cannot keep the level below 35.000 pump #2 will turn on at 35.000, then as the level drops to 10.000 pump #1 turns off, pump #2 is still running and shuts off below 5.000.
5. Notice that with the set and reset points of pump #2 outside the range of pump #1, the first pump on is the first pump to go off. This is true for up to 8 alternating pumps, if setup accordingly.
6. Relay #3 will go into alarm if the level drops below 4.000 and relay #4 will go into alarm if the level exceeds 40.000.
7. Adding the 4 external relays expansion module allows using the 4 SPDT internal relays for pump alternation and the 4 SPST external relays for high, high-high, low, and low-low alarm indication.

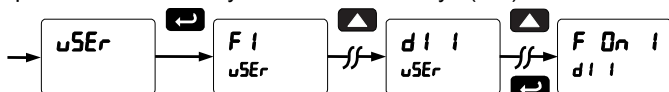
Setting Up the Interlock Relay (Force On) Feature

Relays 1-4 can be set up as interlock relays. To set up the relays for the interlock feature:

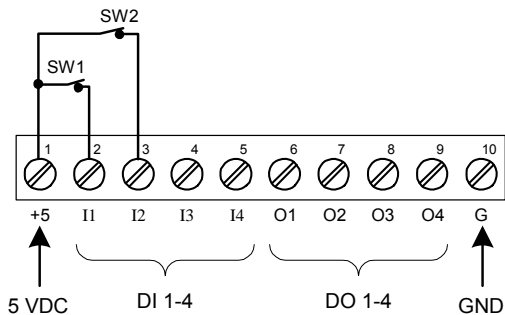
1. Access the *Setup – Relay – Action* menu and set the action to off.



2. In the *Advanced features – User* menu program any of the digital inputs to *Force On* any of the internal relays (1-4).



3. Connect a switch or dry contact between the +5V terminal and the corresponding digital input (dI-1 to dI-4) terminal.



Interlock Relay Operation Example

Relays 1 & 2 are configured to energize (their front panel LEDs are off) when SW1 & SW2 switches (above) are closed. If the contacts to these digital inputs are opened, the corresponding front panel LEDs flash, indicating this condition. The processes being controlled by the interlock relay will stop, and will re-start only after the interlock relay is re-activated by the digital inputs (switches).

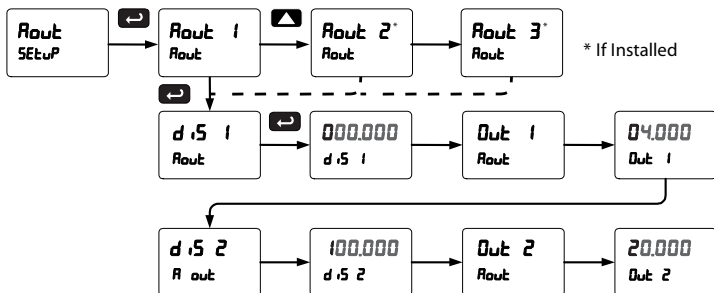
Note: If multiple digital inputs are assigned to the same relay, then the corresponding logic is (AND) – i.e. both switches must be closed to trip the relay.

Scaling the 4-20 mA Analog Output (Rout)

The 4-20 mA analog outputs can be scaled to provide a 4-20 mA signal for any display range selected. To select the channel and source assignments the analog outputs are assigned to, see *Analog Output Source* on page 78.

No equipment is needed to scale the analog outputs; simply program the display values to the corresponding mA output signal.

The *Analog Output* menu is used to program the 4-20 mA outputs based on display values.



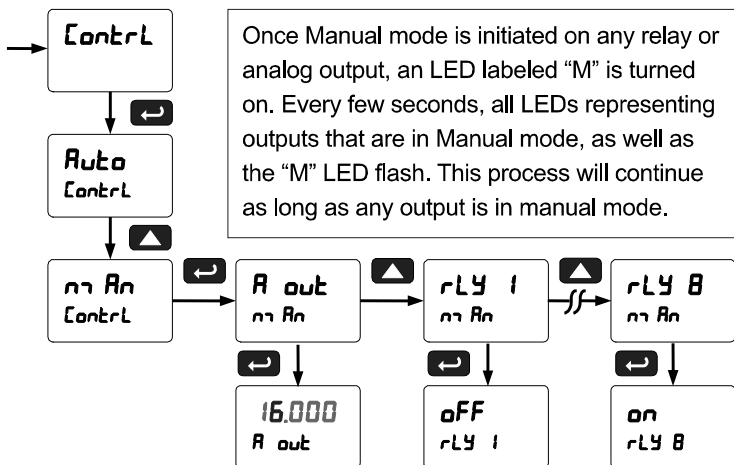
For instructions on how to program numeric values see *Setting Numeric Values*, page 33.

Reset Menu (rESEt)

The *Reset* menu is used to reset the maximum or minimum reading (peak or valley) reached by the process; both may be reset at the same time by selecting “reset high & low” (rSE HL). The tare value used to zero the display may be reset by selecting “reset tare” (rSE tr).

Control Menu (Control)

The *Control* menu is used to control the 4-20 mA analog output and the relays manually, ignoring the input. Each relay and analog output can be programmed independently for manual control. Selecting automatic control sets all relays and analog output for automatic operation.



Setting Up the Password (PASS)

The *Password* menu is used for programming three levels of security to prevent unauthorized changes to the programmed parameter settings.

Pass 1: Allows use of function keys and digital inputs

Pass 2: Allows use of function keys, digital inputs and editing set/reset points

Pass 3: Restricts all programming, function keys, and digital inputs.

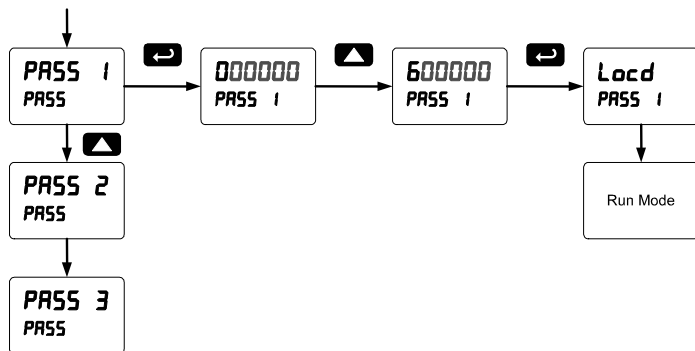
Record the password for future reference. If appropriate, it may be recorded in the space provided.

Model:	
Serial Number:	
Password 1:	__ _ _ _ _ _
Password 2:	__ _ _ _ _ _
Password 3:	__ _ _ _ _ _

Protecting or Locking the Meter

Enter the *Password* menu and program a six-digit password.

For instructions on how to program numeric values see *Setting Numeric Values*, page 33.

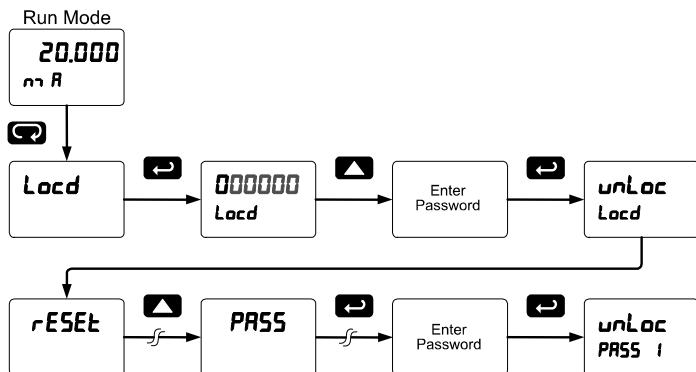


Making Changes to a Password Protected Meter

If the meter is password protected, the meter will display the message *Locd* (*Locked*) when the Menu button is pressed. Press the Enter button while the message is being displayed and enter the correct password to gain access to the menu. After exiting the programming mode, the meter returns to its password protected condition.

Disabling Password Protection

To disable the password protection, access the *Password* menu and enter the correct password twice, as shown below. The meter is now unprotected until a new password is entered.



If the correct six-digit password is entered, the meter displays the message *unLoc* (*Unlocked*) and the protection is disabled until a new password is programmed.

If the password entered is incorrect, the meter displays the message *Locd* (*Locked*) for about two seconds, and then it returns to Run Mode. To try again, press Enter while the *Locked* message is displayed.

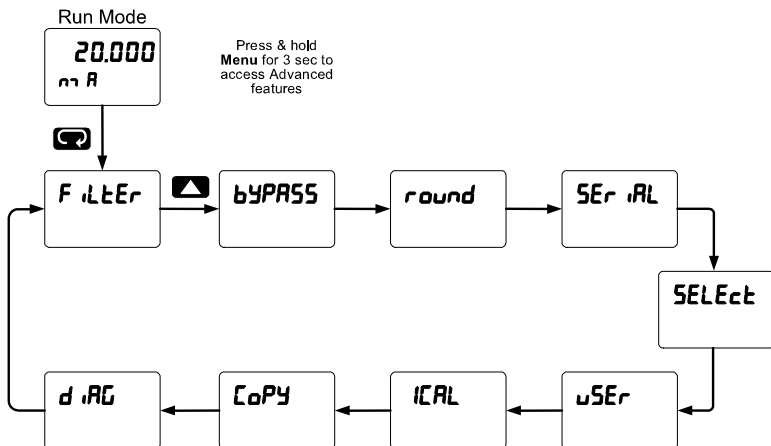
Did you forget the password?

The password may be disabled by entering a master password once. If you are authorized to make changes, enter the master password 508655 to unlock the meter.

Advanced Features Menu

To simplify the setup process, functions not needed for most applications are located in the *Advanced Features* menu.

Press and hold the Menu button for three seconds to access the advanced features of the meter.



Advanced Features Menu & Display Messages

The following table shows the functions and messages of the *Advanced Features* menu in the order they appear in the menu.

Display	Parameter	Action/Setting
F iLLEr	Filter	Set noise filter value
[h-A	Channel A	Set filter value for channel A
[h-b	Channel B	Set filter value for channel B
bYPASS	Bypass	Set filter bypass value
[h-A	Channel A	Set filter bypass value for channel A
[h-b	Channel B	Set filter bypass value for channel B
round	Round	Set the rounding value for display variables
SER iRL	Serial	Set serial communication parameters
SLAVE ID	Slave ID	Set slave ID or meter address
baud	Baud rate	Select baud rate
tr dLY	Transmit delay	Set transmit delay for serial communication
PAR itY	Parity	Select parity Even, Odd, or None with 1 or 2 stop bits
t-bytE	Time byte	Set byte-to-byte timeout
SELEct	Select	Enter the Select menu (function, cutoff, out)
Function	Signal input conditioning	Select linear, square root, programmable exponent, or round horizontal tank function
[h-A	Channel A	Select menu for channel A
[h-b	Channel B	Select menu for channel B
L inEARr	Linear	Set meter for linear function and select number of linearization points
no Pts	Number of points	Set the number of linearization points (default: 2)
SqURrE	Square root	Set meter for square root extraction
PrOG E	Programmable exponent	Set meter for programmable exponent and enter exponent value

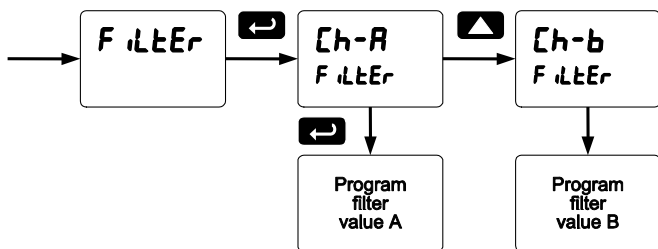
Display	Parameter	Action/Setting
ገክ	Round horizontal tank	Set meter for round horizontal tank volume calculation
ፊጥነት	Length	Enter the tank's length in inches
ደረጃ	Diameter	Enter the tank's diameter in inches
ጠቅላይ	Math	Enter the setup menu for channel C math functions
ጠቅላይ	Sum	Channel C = (A+B+P)*F
ፊደል	Difference	Channel C = (A-B+P)*F
ፊደል	Absolute difference	Channel C = ((Absolute value of (A-B))+P)*F
አማካኝ	Average	Channel C = (((A+B)/2)+P)*F
ጠቅላይ	Multiplication	Channel C = ((A*B)+P)*F
ፊደል	Divide	Channel C = ((A/B)+P)*F
ዝቅተኛ	Max of A or B	C = ((High value of channel A or B)+P)*F
ታችኛ	Min of A or B	C = ((Low value of channel A or B)+P)*F
ደረጃ	Draw	Channel C = ((A/B)-1)*F
ጠቅላይ	Weighted avg.	Channel C = ((B-A)*F)+A
ጥምር	Ratio	Channel C = (A/B)*F
ፍጥነት	Concentration	Channel C = (A/(A+B))*F
ፍጥነት	Constant	Constant used in channel C math
ፊደል	Adder	Addition constant used in channel C math calculations (P)
ፊደል	Factor	Multiplication constant used in channel C math calculations (F)
ፍጥነት	Cutoff	Set low-flow cutoff
ፍጥነት	Channel A	Set low-flow cutoff for Channel A
ፍጥነት	Channel B	Set low-flow cutoff for Channel B
ፊደል	Analog output programming	Program analog output parameters
ፊደል	Analog output 1	Program analog output 1 (*1-3) parameters

Display	Parameter	Action/Setting
Source	Source	Select source for the 4-20 mA output
brk	Loop break	Set relay condition if loop break detected
o-rng	Overrange	Program mA output for display overrange
u-rng	Underrange	Program mA output for display underrange
max	Maximum	Program maximum mA output allowed
min	Minimum	Program minimum mA output allowed
cal	Calibrate	Calibrate 4-20 mA output (internal reference source used for scaling the output)
4 mA	4 mA output	Enter mA output value read by milliamp meter with at least 0.001 mA resolution
20 mA	20 mA output	Enter mA output value read by milliamp meter with at least 0.001 mA resolution
USER	User I/O	Assign function keys and digital I/O
F 1*	F1* function key	Assign F1 function key (*F1/F2/F3)
F4	F4 function	Assign F4 function (digital input)
d i 1	Digital input 1	Assign digital input 1 – 8, if expansion modules are connected
d o 1	Digital output 1	Assign digital output 1 – 8, if expansion modules are connected
cal	Internal calibration	Enter internal calibration (used for recalibrating the meter with a calibrated signal source)
cal-a	Channel A	Perform calibration on channel A
cal-b	Channel B	Perform calibration on channel B
cal	Current calibration	Calibrate 4-20 mA current input (internal reference source used for scaling the input)
cal-l	Current low	Calibrate low current input (e.g. 4 mA)
cal-h	Current high	Calibrate high current input (e.g. 20 mA)
cal-v	Voltage calibration	Calibrate voltage input
cal-lv	Voltage low	Calibrate low voltage input (e.g. 0 V)

Display	Parameter	Action/Setting
<i>U Hi</i>	<i>Voltage high</i>	Calibrate high voltage input (e.g. 10 V)
<i>COPY</i>	<i>Copy</i>	Enter copy function
<i>SEnd</i>	<i>Send</i>	Send meter settings to another meter
<i>donE</i>	<i>Done</i>	Copy function completed
<i>d iRU</i>	<i>Diagnostics</i>	Display parameter settings
<i>LEd t</i>	<i>LED test</i>	Test all LEDs
<i>inFo</i>	<i>Information</i>	Display software and S/N information

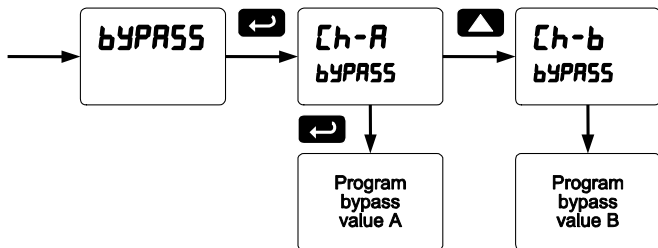
Noise Filter (F ILtEr)

The noise filter is available for unusually noisy signals that cause an unstable process variable display. The noise filter averages the input signal over a certain period. The filter level determines the length of time over which the signal is averaged. The filter level can be set between 2 and 199. The higher the filter level, the longer the averaging time and so the longer it takes the display to settle to its final value. Setting the filter level to zero disables the filter function.



Noise Filter Bypass (bYPASS)

The noise filter bypass changes the behavior of the meter so that small variations in the signal are filtered out but large abrupt changes in the input signal are displayed immediately. The bypass value determines the minimum amount of signal change to be displayed immediately. All signal changes smaller than the bypass value are filtered or averaged by the meter. The noise filter bypass may be set between 0.1 and 99.9% of full scale.



Rounding Feature (*round*)

The rounding feature is used to give the user a steadier display with fluctuating signals. Rounding is used in addition to the filter function.

Rounding causes the display to round to the nearest value according to the rounding selected. This setting affects the last two digits, regardless of decimal point position.

Modbus RTU Serial Communications (*SEr ,AL*)

The meter is equipped with serial communications capability as a standard feature using Modbus RTU Serial Communication Protocol.

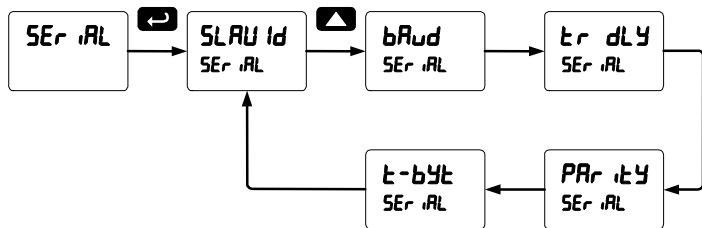
To communicate with a computer or other data terminal equipment, an RS-232, RS-485, or USB adapter option is required; see *Ordering Information* on page 7 for details.



Warning!

Do not connect any equipment other than Precision Digital's expansion modules, cables, or meters to the RJ45 M-LINK connector. Otherwise damage will occur to the equipment and the meter.

Note: More detailed instructions are provided with each optional serial communications adapter. Note: Refer to the ProVu® Modbus Register Tables located at www.predig.com for details.

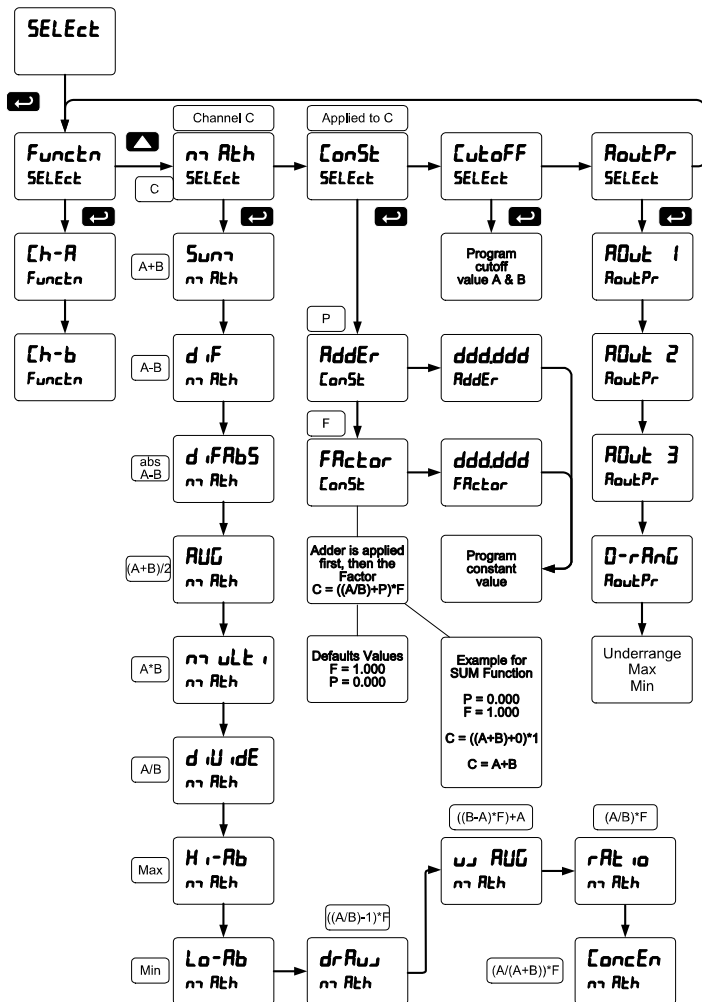


When using more than one meter in a multi-drop mode, each meter must be provided with its own unique address. The meter address (Slave ID) may be programmed between 1 and 247. The transmit delay may be set between 0 and 199 ms. The parity can be set to even, odd, or none with 1 or 2 stop bits.

Changes made to the Serial menu are initialized after the MENU key is pressed or after navigating through the t-byte parameter.

Select Menu (SELEct)

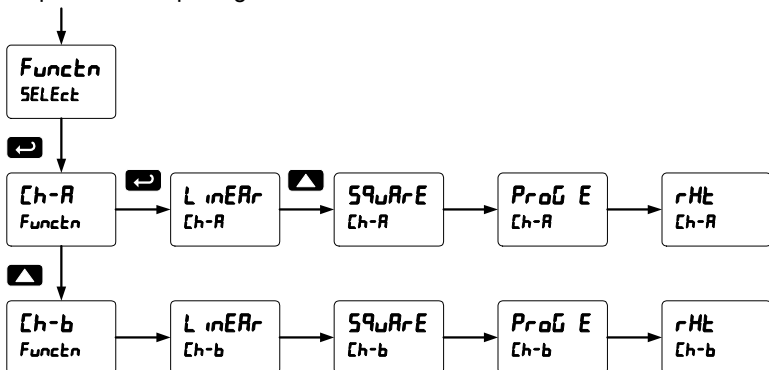
The *Select* menu is used to select the signal input conditioning function applied to the inputs (linear, square root, programmable exponent, or round horizontal tank), math function for A & B, constants, low-flow cutoff, and analog output programming. Multi-point linearization is part of the linear function selection.



Signal Input Conditioning (*Function*)

The *Function* menu is used to select the input-to-output transfer function applied to the input signal: linear, square root, programmable exponent, or round horizontal tank volume calculation. Multi-point linearization is part of the linear function selection.

Meters are set up at the factory for linear function with 2-point linearization. The linear function provides a display that is linear with respect to the input signal.



Square Root Linearization (**SQURrE**)

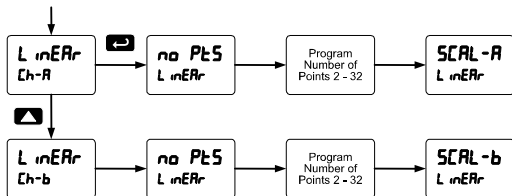
The square root function is used to calculate flow measured with a differential pressure transmitter. The flow rate is proportional to the square root of the differential pressure. Scale the meter so that the low input signal (e.g. 4 mA) is equal to zero flow and the high input signal (e.g. 20 mA) is equal to the maximum flow.

Programmable Exponent Linearization (**ProG E**)

The programmable exponent function is used to calculate open-channel flow measured with a level transmitter in weirs and flumes. The flow rate is proportional to the head height. Scale the meter so that the low input signal (e.g. 4 mA) is equal to zero flow and the high input signal (e.g. 20 mA) is equal to the maximum flow. This method works well for all weirs and flumes that have a simple exponent in the flow calculation formula. For weirs and flumes with complex exponents it is necessary to use a strapping table and the 32-point linearization of the meter.

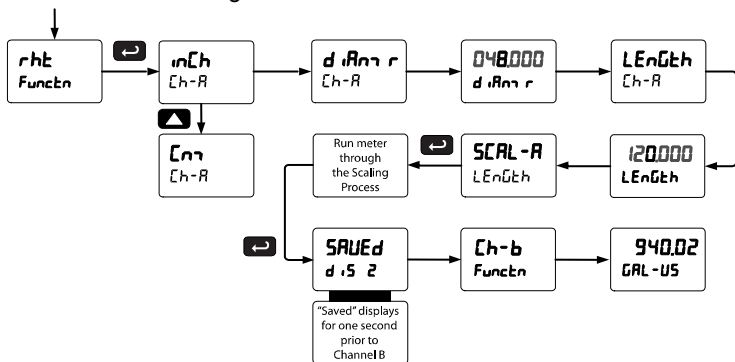
Multi-Point Linearization (L inERr)

Meters are set up at the factory for linear function with 2-point linearization. Up to 32 linearization points can be selected for each channel under the linear function. The multi-point linearization can be used to linearize the display for non-linear signals such as those from level transmitters used to measure volume in odd-shaped tanks or to convert level to flow using weirs and flumes with complex exponent.



Round Horizontal Tank Linearization (rHt)

This function is used to calculate volume in a round horizontal tank with flat ends. The volume is calculated based on the diameter and length of the tank. The tank's dimensions can be entered in inches or centimeters; the meter automatically calculates the volume in gallons or liters. After entering the dimensions, complete the scaling process with the display values calculated by the meter. The meter can be re-scaled to display the volume in any engineering unit without the need to re-enter the dimensions again.



Note: After Scale is displayed continue pressing the Enter button until the meter completes the scaling of the input and display values.

Changing the Volume from Gallons to Liters

In the above graphic, entering the 48" for the diameter and 120" for the length of the round horizontal tank, the meter automatically calculates that the volume of the tank is 940.02 gallons.

1. Convert gallons to liters
1 US gallon = 3.7854 L
940.02 gal = 3558.4 L
2. Go to the *Setup* menu and change the decimal point to 1 decimal.
3. Go to the *Program – Scale* menu and press Enter until *d 15 2* is shown on the Upper display.
4. Press Enter and change the display 2 value to 3558.4.
5. The meter is now displaying the volume in liters.

Note: The display can be scaled to display the volume in any engineering units.

Math Function (הר אלה)

The *Math* menu is used to select the math function that will determine the channel C value. These math functions are a combination of input channels A and B, and will display when channel C is selected in the *Display* menu.

The following math functions are available.

Function	Display	Description
5חטק	Sum	Channel C = (A+B+P)*F
d 1F	Difference	Channel C = (A-B+P)*F
d 1Fb5	Absolute difference	Channel C = ((Absolute value of (A-B))+P)*F
אנג	Average	Channel C = (((A+B)/2)+P)*F
הטל 1	Multiplication	Channel C = ((A*B)+P)*F
d 1E	Divide	Channel C = ((A/B)+P)*F
ח 1-Rb	Max of A or B	C = ((High value of channel A or B)+P)*F
ל 1-Rb	Min of A or B	C = ((Low value of channel A or B)+P)*F
dr אט	Draw	Channel C = ((A/B)-1)*F
טאנג	Weighted avg.	Channel C = ((B-A)*F)+A
ר אלה 1	Ratio	Channel C = (A/B)*F
ל 1חא	Concentration	Channel C = (A/(A+B))*F

Math Constants (ConSt)

The *Math Constants* menu is used to set the constants used in channel C math. The math functions include input channel A and B, as well as the adder constant P, and factor constant F.

The *Adder* constant (P) may be set from -99.999 to 999.999.

The *Factor* constant (F) may be set from 0.001 to 999.999.

The chart on page 76 details the math functions that may be selected in the *Math Function* menu.

Low-Flow Cutoff (CutOFF)

The low-flow cutoff feature allows the meter to be programmed so that the often-unsteady output from a differential pressure transmitter, at low flow rates, always displays zero on the meter.

The cutoff value may be programmed from 0 to 999999. The meter will display zero below the cutoff value. Programming the cutoff value to zero disables the cutoff feature.

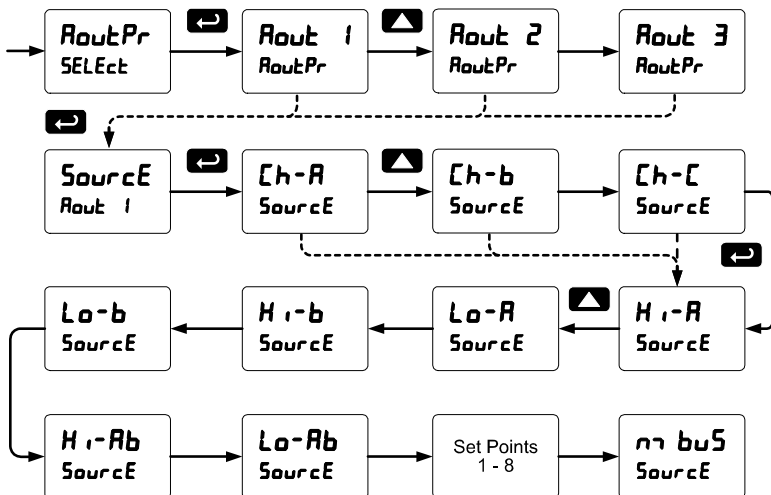
Analog Output Programming (RoutPr)

The *Analog Output Programming* menu is used to program the behavior of the 4-20 mA output. The following parameters and functions are programmed in this menu:

1. Source: Source for generating the 4-20 mA output
2. Overrange: Analog output value with display in overrange condition
3. Underrange: Analog output value with display in underrange condition
4. Break: Analog output value when loop break is detected
5. Max: Maximum analog output value allowed regardless of input
6. Min: Minimum analog output value allowed regardless of input
7. Calibrate: Calibrate the internal 4-20 mA source reference used to scale the 4-20 mA output

Analog Output Source

The analog output source can be based on either of the input channels (Ch-A, Ch-B), the math channel (Ch-C), maximum stored value of either input channel (Hi-A, Hi-B), minimum stored value of either input channel (Lo-A, Lo-B), relay set points, or the Modbus input.



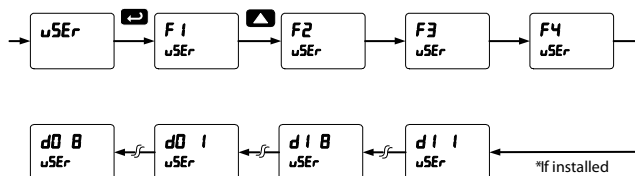
Analog Output Calibration

To perform the analog output calibration it is recommended to use a milliamp meter with a resolution of at least 0.1 μA to measure the output current. The values saved internally during this procedure are used for scaling the 4-20 mA output in the *Setup* menu.

Programmable Function Keys User Menu (u5Er)

The *User* menu allows the user to assign the front panel function keys F1, F2, F3, F4 (digital input) and up to eight digital inputs to access most of the menus or to activate functions immediately (e.g. Reset max & min). F4 is a digital input on the signal input connector. Up to eight digital outputs can be assigned to a number of actions and functions executed by the meter (e.g. Alarms, relay acknowledgement, etc.).

Please refer to the table below, which continues on the following page.



Function Keys & Digital I/O Available Settings

Display	Description	Display	Description
r5t HL	Reset max & min (A, B, C)	b iG H i	Max on big display (Channel A)
rELRY	Relay menu	b iG Lo	Min on big display (Channel A)
SEt i	Set point 1 - 8	b iG HL	Max/min big display (Channel A)
rLY d	Disable relay	L iE H i	Max on little display (Channel B)
rLY E	Enable relay	L iE Lo	Min on little display (Channel B)
B HoLd	Relay output hold	L iE HL	Max/min little display (Channel B)
d HoLd	Display hold while active	L iE HC	Max on little display (Channel C)
d RbC	Scrolls values for A, B & C when activated. Keeps the last value for 10 seconds and then it returns to its assignment. Values are displayed on the big display and the corresponding channel and units on the little display.	L iE LC	Min on lower display (Channel C)

Display	Description	Display	Description
L tHL L	Max/min little display (Channel C)	nn Enu	Menu button
d iSRbL	Disable function key	r iGht	Right arrow button
Control	Control Menu	uP	Up arrow button
tRrE A	Set channel A display value to zero (A LED flashes – same rate as M)*	EntEr	Enter button
tRrE b	Set channel B display value to zero (B LED flashes – same rate as M)*	ALrnn i	Alarm 1 – 8 (Digital Output)
rSt tr	Reset tare for A & B (Channel LED off)	F on 1	Force on relay 1
RcH	Acknowledge relays	F on 2	Force on relay 2
rESEt	Reset Menu	F on 3	Force on relay 3
rSt H i	Reset max	F on 4	Force on relay 4
rSt Lo	Reset min		

- * If math functions are displayed, the math function indicator LED “C” will flash when either A or B channel is using a tare value (net value).

Tare (tArE A, tArE b)

The tare function zero's out the display. In the case of scale weight, tare is used to eliminate container weight and provide net weight readings. There are two tare functions; Capture Tare for channel A and B, and Reset Tare. Display channel indicator letter flashes when a tare is used. It will flash until the tare is reset.



Gross (without tare) and net (with tare) values can be viewed simultaneously. See page 41.

Internal Calibration (iCAL)

The meter is factory calibrated prior to shipment to read in milliamps and volts depending on the input selection. The calibration equipment is certified to NIST standards.

The use of calibrated signal sources is necessary to perform the internal calibration of the meter.

Check calibration of the meter at least every 12 months. Each input and input type must be recalibrated separately.

Notes:

1. If meter is in operation and it is intended to accept only one input type (e.g. 4-20 mA), recalibration of other input is not necessary.
2. Allow the meter to warm up for at least 15 minutes before performing the internal calibration procedure.

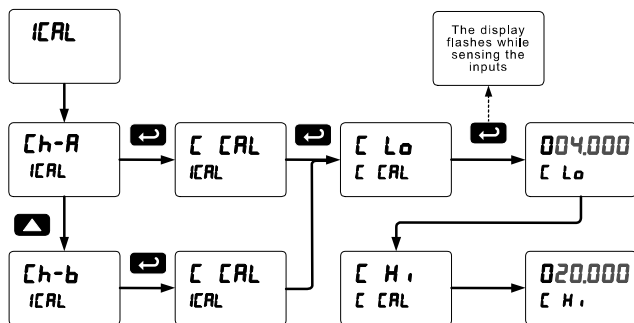
The *Internal calibration* menu is part of the *Advanced Features* menu.

1. Press and hold the Menu button for three seconds to access the advanced features of the meter.
2. Press the Up arrow button to scroll to the *Internal calibration* menu (iCAL) and press Enter.
3. Select channel A (Ch-A) or channel B (Ch-b) and press enter.

- The meter displays either current calibration ($\llcorner \llcorner RL$) or voltage calibration ($\llcorner \llcorner VL$), according to the input setup. Press Enter to start the calibration process.

Example of Internal Calibration for current input:

- The meter displays *low* input current message ($\llcorner L \alpha$). Apply the low input signal and press Enter. The display flashes for a moment while the meter is accepting the low input signal.
- After the display stops flashing, a number is displayed with the leftmost digit brighter than the rest. The bright digit is the active digit that can be changed by pressing the Up arrow button. Press the Right arrow button to move to the next digit.
- Set the display value to correspond to the input signal being calibrated, typically 4.000 mA.
- The display moves to the *high* input calibration ($\llcorner H \iota$). Apply the high input signal and press Enter.
- Set the display for the high input calibration, in the same way as it was set for the low input calibration, typically 20.000 mA.



The graphic above shows the calibration of the current input. The voltage input is calibrated in a similar way.

Tips:

- Low and high input signals can be any valid values within the range of the meter.
- Observe minimum input span requirements between input 1 and input 2.
- Low input should be less than high input signal.

Error Message (*Error*)

An error message indicates that the calibration or scaling process was not successful.

After the error message is displayed, the meter reverts to input 2 during calibration or scaling and to input 1 during internal calibration, allowing the appropriate input signal to be applied or programmed.

The error message might be caused by any of the following conditions:

1. Input signal is not connected to the proper terminals, or it is connected backwards.
2. Wrong signal selection in *Setup* menu.
3. Minimum input span requirements not maintained.

Minimum Input Span

The minimum input span is the minimum difference between input 1 and input 2 signals required to complete the calibration or scaling of the meter.

Input Range	Input 1 & Input 2 Span
4-20 mA	0.15 mA
±10 VDC	0.10 VDC

Meter Copy Function (*Copy*)

The *Copy* function is used to copy (or clone) all the settings from one meter to other meters requiring exactly the same setup and programming (*i.e.* type of input, scaling, decimal point, filter, bypass, etc.).



Warning!

Only the PDA1200 meter copy cable must be used for meter-to-meter interfacing.

Using standard CAT5 or other cable will cause damage to both meters.

Copy Function Requirements

*To successfully copy settings from one meter to another, both meters must have the same software version and the same baud rate setting. See *Determining Software Version*, page 87 for instructions.*

Meter Copy or Cloning Instructions

**Caution!**

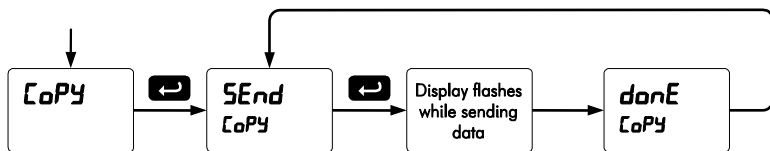
Do not connect the two meters to the same signal source while cloning. Internal calibration may be affected.

1. Connect two meters using a PDA1200 meter copy cable.

**Warning!**

Using standard CAT5 or other cable will cause damage to both meters. Use PDA1200 meter copy cable only.

2. Do not connect the two meters to the same signal source.
3. Power up both meters. Leave Clone meter in Run Mode.
4. Enter the *Advanced Features* menu of the Master meter; see *Advanced Features Menu* on page 66.
5. Scroll to the *Copy* function using the Up arrow button then press Enter.
6. The meter displays the message *SEnd*. Press Enter, the display flashes while sending data. The message *donE* is displayed when copying is completed.



7. The Clone meter displays the message *CoPY rC* while being programmed then the message *donE* when copying is completed. The meter initializes and returns to Run Mode using the same settings as the Master.
8. If meter to be cloned does not respond to the data being sent, refer to ***Copy Function Requirements*** above.

METER OPERATION



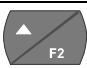

The meter is capable of accepting two input channels (A and B) of either current (0-20 mA, 4-20 mA) or voltage signals (0-5 V, 1-5 V, 0-10 V, \pm 10 V) and displaying these signals in engineering units from -99999 to 999999 (e.g. a 4-20 mA signal could be displayed as -50.000 to 50.000).

A math function channel (C) is available to perform operations on channel A and B, with adder and factor constants, and display the results. Engineering units or tags may be displayed with these three channels.

The dual-line display can be customized by the user. Typically the upper display is used to display the math channel C, while the lower display is used to alternate between displaying input channels A and B.

Additionally the meter can be set up to display any input or math channel on the upper display and a unit or tag on the lower display. The relays and analog output can be programmed to operate based on any input or math channel.

Front Panel Buttons Operation

Button Symbol	Description
	Press to enter or exit Programming Mode, view settings, or exit max/min readings
	Press to reset max/min readings or other parameter/function assigned through the <i>User</i> menu
	Press to display max/min readings for channel A or other parameter/function assigned through the <i>User</i> menu
	Press to acknowledge relays or other parameters/function assigned through the <i>User</i> menu

Function Keys Operation

During operation, the programmable function keys operate according to the way they have been programmed in the *Advanced Features – User* menu.

The table above shows the factory default settings for F1, F2, and F3.

F4 Operation

A digital input, F4, is standard on the meter. This digital input is programmed identically to function keys F1, F2, and F3. The input is triggered with a contact closure to COM, or with an active low signal. During operation, F4 operates according to the way it has been programmed in the *Advanced Features – User* menu.

Maximum/Minimum Readings

The max & min readings (peak & valley) reached by the process can be displayed either continuously or momentarily:

1. Display briefly by assigning to the F1-F3 function keys or to the digital inputs in the *User* menu.
2. Display continuously by assigning either display to max/min through the *Display* menu.

Any of the F1-F3 function keys (buttons) and the digital inputs can be programmed to reset the max & min readings. The meters are set at the factory to display the max reading by pressing the Up arrow/F2 button and to use the Right arrow/F1 button to access the *Reset* menu.

To display max and min channel A reading using function key with factory defaults:

1. Press Up arrow/F2 button to display minimum reading of channel A since the last reset/power-up. The display will then display the maximum reading of channel A since the last reset/power-up.
2. Press the Up arrow/F2 button again to display the minimum reading of channel A since the last reset/power up.
3. To reset max/min press Right arrow/F1 button to access the Reset menu. The max & min displays are reset to actual values.
4. Press Menu to exit max/min display reading.

TROUBLESHOOTING

The rugged design and the user-friendly interface of the meter should make it unusual for the installer or operator to refer to this section of the manual. However, due to the many features and functions of the meter, it's possible that the setup of the meter does not agree with what an operator expects to see.

If the meter is not working as expected, refer to the *Diagnostics* menu and recommendations below.

Diagnostics Menu (d iRG)

The *Diagnostics* menu is located in the *Advanced Features* menu, to access *Diagnostics* menu see *Advanced Features Menu*, page 66.

It provides an easy way to view the programmed parameter settings for troubleshooting purposes. Press the Enter button to view the settings and the Menu button to exit at any time.

For a description of the diagnostic messages, see *Advanced Features Menu & Display Messages*, page 67.

Determining Software Version

To determine the software version of a meter:

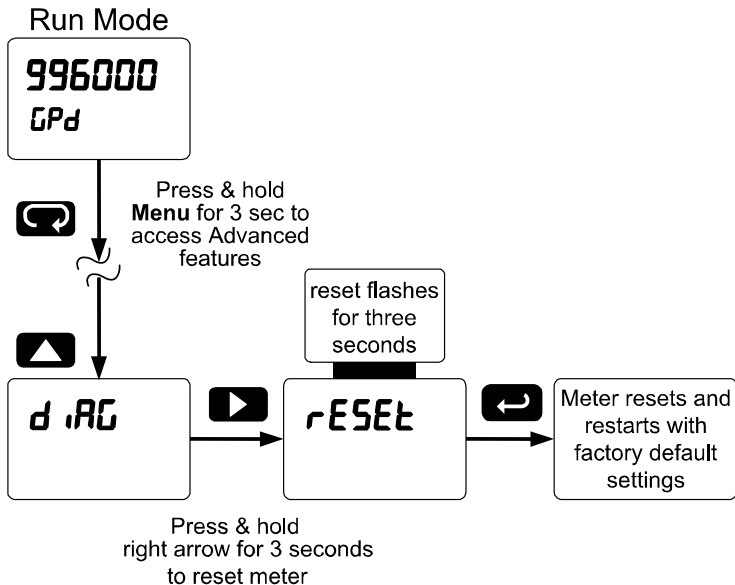
1. Go to the *Diagnostics* menu (d iRG) and press Enter button.
2. Press Up arrow button and scroll to Information menu (i n F d).
3. Press Enter to access the software number (5Ft) and version (UER) information. Write down the information as it is displayed. Continue pressing Enter until all the information is displayed.
4. The meter returns to Run Mode after displaying all the settings.

Reset Meter to Factory Defaults

When the parameters have been changed in a way that is difficult to determine what's happening, it might be better to start the setup process from the factory defaults.

Instructions to load factory defaults:

1. Enter the *Advanced Features* menu. See *Advanced Features Menu*, page 66.
2. Press Up arrow to go to *Diagnostics* menu
3. Press and hold Right arrow for three seconds, press Enter when display flashes *rESEt*.
Note: If Enter is not pressed within three seconds, the display returns to Run Mode.
4. The meter goes through an initialization sequence (similar as on power-up), and loads the factory default settings.



Factory Defaults & User Settings

The following table shows the factory setting for most of the programmable parameters on the meter. Next to the factory setting, the user may record the new setting for the particular application.

Model: _____ S/N: _____ Date: _____

Parameter	Display	Default Setting	User Setting
Input type	<i>InP_{ut}</i>		
Input type, channel A	<i>[h-R]</i>	4-20 mA	
Input type, channel B	<i>[h-b]</i>	4-20 mA	
Unit	<i>un it</i>		
Unit, channel A	<i>[h-R]</i>	mA-A	
Unit, channel B	<i>[h-b]</i>	mA-b	
Unit, channel C	<i>[h-[-]</i>	mA-C	
Number of points	<i>no Pts</i>		
Number of points, ch A	<i>[h-R]</i>	2	
Number of points, ch B	<i>[h-b]</i>	2	
Scaling, (channel A)	<i>ScAL R</i>		
Input 1, channel A	<i>InP 1</i>	4.000 mA	
Display 1, channel A	<i>d is 1</i>	4.000	
Input 2, channel A	<i>InP 2</i>	20.000 mA	
Display 2, channel A	<i>d is 2</i>	20.000	
Scaling (channel B)	<i>ScAL b</i>		
Input 1, channel B	<i>InP 1</i>	4.000 mA	
Display 1, channel B	<i>d is 1</i>	4.000	
Input 2, channel B	<i>InP 2</i>	20.000 mA	
Display 2, channel B	<i>d is 2</i>	20.000	
Math, channel C	<i>Sum</i>	Sum	
Adder (constant P)	<i>AddEr</i>	0.000	
Factor (constant F)	<i>FRctOr</i>	1	
Filter	<i>F ILtEr</i>		

Parameter	Display	Default Setting	User Setting
Filter, channel A	[h-A]	70	
Filter, channel B	[h-b]	70	
Bypass, channel A	<i>bYPASS</i>	0.2	
Bypass, channel B	<i>bYPASS</i>	0.2	
Round	<i>round</i>	1	
Cutoff	[uToFF]		
Cutoff value, channel A	[h-A]	0.000 (disabled)	
Cutoff value, channel B	[h-b]	0.000 (disabled)	
Display assignment	<i>dSPLAY</i>		
Big display	<i>d [h-A]</i>	Channel A	
Little display	<i>d [h-b]</i>	Channel B	
Display intensity	<i>d-INTY</i>	8	
Relay 1 assignment	[h-A]	Channel A	
Relay 1 action	<i>Act 1</i>	Automatic	
Relay 1 set point	<i>SEt 1</i>	1.000	
Relay 1 reset point	<i>rSEt 1</i>	0.500	
Relay 2 assignment	[h-A]	Channel A	
Relay 2 action	<i>Act 2</i>	Automatic	
Relay 2 set point	<i>SEt 2</i>	2.000	
Relay 2 reset point	<i>rSEt 2</i>	1.500	
Relay 3 assignment	[h-A]	Channel A	
Relay 3 action	<i>Act 3</i>	Automatic	
Relay 3 set point	<i>SEt 3</i>	3.000	
Relay 3 reset point	<i>rSEt 3</i>	2.500	
Relay 4 assignment	[h-A]	Channel A	
Relay 4 action	<i>Act 4</i>	Automatic	
Relay 4 set point	<i>SEt 4</i>	4.000	
Relay 4 reset point	<i>rSEt 4</i>	3.500	
Fail-safe relay 1	<i>FLS 1</i>	Off	

Parameter	Display	Default Setting	User Setting
Fail-safe relay 2	FLS 2	Off	
Fail-safe relay 3	FLS 3	Off	
Fail-safe relay 4	FLS 4	Off	
On delay relay 1	On 1	0.0 sec	
Off delay relay 1	OFF 1	0.0 sec	
On delay relay 2	On 2	0.0 sec	
Off delay relay 2	OFF 2	0.0 sec	
On delay relay 3	On 3	0.0 sec	
Off delay relay 3	OFF 3	0.0 sec	
On delay relay 4	On 4	0.0 sec	
Off delay relay 4	OFF 4	0.0 sec	
Loop break relay 1	LoopBrk 1	Ignore	
Loop break relay 2	LoopBrk 2	Ignore	
Loop break relay 3	LoopBrk 3	Ignore	
Loop break relay 4	LoopBrk 4	Ignore	
Display 1 analog out	d15 1	4.000	
Output 1 value	Out 1	4.000 mA	
Display 2 analog out	d15 2	20.000	
Output 2 value	Out 2	20.000 mA	
Source analog output	Source	Channel A	
Overrange output	OverRng	21.000 mA	
Underrange output	UnderRng	3.000 mA	
Loop break output	brkOut	3.000 mA	
Maximum output	maxOut	23.000 mA	
Minimum output	minOut	3.000 mA	
Slave ID (Address)	SLAVE ID	247	
Baud rate	baud	9600	
Transmit delay	tr dly	50 ms	
Parity	PARITY	Even	

Parameter	Display	Default Setting	User Setting
Byte-to-byte timeout	<i>b-bYt</i>	010 (0.1 sec)	
F1 function key	<i>F 1</i>	Reset max & min	
F2 function key	<i>F 2</i>	Upper Max & Min	
F3 function key	<i>F 3</i>	Acknowledge relays	
F4 function (digital input)	<i>F 4</i>	Acknowledge relays	
Digital input 1	<i>d i 1</i>	Menu	
Digital input 2	<i>d i 2</i>	Right arrow	
Digital input 3	<i>d i 3</i>	Up arrow	
Digital input 4	<i>d i 4</i>	Enter	
Digital output 1	<i>dO 1</i>	Alarm 1	
Digital output 2	<i>dO 2</i>	Alarm 2	
Digital output 3	<i>dO 3</i>	Alarm 3	
Digital output 4	<i>dO 4</i>	Alarm 4	
Password 1	<i>PASS 1</i>	000000 (unlocked)	
Password 2	<i>PASS 2</i>	000000 (unlocked)	
Password 3	<i>PASS 3</i>	000000 (unlocked)	

Alphabetical List of Display Functions & Messages

Display	Parameter	Action/Setting Description
-99999	Flashing	Underrange condition
999999	display	Overrange condition
20 mA A	20 mA output	Enter mA output value read by milliamp meter with at least 0.001 mA resolution
4 mA A	4 mA output	Enter mA output value read by milliamp meter with at least 0.001 mA resolution
A GROSS	Display A gross	Display input channel A gross (no tare)
A NET-T	Display A net and gross	Alternate display of channel A net (tare) and gross (no tare)
ACK	Acknowledge	Acknowledge relays
ACT 1	Action 1	Set relay 1 action
ADDER	Adder	The channel C math function adder constant P
ALARM 1	Alarm 1	Assign digital output to Alarm 1-8
ALTERN	Alternate	Set relay for pump alternation control
A-MAN	Auto-manual	Set relay for automatic & manual reset
ANAL OUT	Analog output	Enter the <i>Analog output</i> scaling menu
ANAL OUT *	Aout Channel	Analog Output source channel (*1-3)
ANAL OUT PR	Analog output programming	Enter analog output programming
ASSIGN	Assign	Enter the relay channel assignment menu
AUTO	Automatic	Press Enter to set automatic operation
AVERAGE	Average	Channel C = $((A+B)/2)+P$ *F
B GROSS	Display B gross	Display input channel B gross (no tare)
B NET-T	Display B net and gross	Alternate display of channel B net (tare) and gross (no tare)
BAUD	Baud rate	Select baud rate
B UPPER	Upper display	Press Enter to assign the upper display parameter (default: Ch-A)
B UPPER H	Max on Upper display	Assign digital input to display max on the upper display (channel A)
B UPPER HL	Max/min Upper display	Assign digital input to toggle max/min on the upper display (channel A)
B UPPER L	Min on Upper display	Assign digital input to display min on the upper display (channel A)
BRK	Loop break	Set relay condition if loop break detected
BYPASS	Bypass	Set filter bypass value
C CAL	Current calibration	Calibrate 4-20 mA current input (internal reference source used for scaling the input)
C H	Current high	Calibrate high current input (e.g. 20 mA)
C L	Current low	Calibrate low current input (e.g. 4 mA)
CAL A	Calibrate A	Enter the <i>Calibration</i> menu for channel A

Display	Parameter	Action/Setting Description
[RL b	Calibrate B	Enter the <i>Calibration</i> menu for channel B
[RL ib	Calibrate	Calibrate 4-20 mA output (internal reference source used for scaling the output)
[h-A*	Channel A*	Channel A (*B or C) selection
[cm	Centimeter	Select cm as the tank unit of measurement
[concEn	Concentration	Channel C = (A/(A+B))*F
[const	Constant	Enter the math function constant menu
[control	Control	Enter <i>Control</i> menu to turn relays on/off, set analog output 1 manually, or return meter to automatic operation
[copy	Copy	Enter copy function
[cutoff	Cutoff	Set low-flow cutoff (ch-A, ch-B)
d Ab	Display A & B	Alternate display of channel A & B
d AbC	Display A, B, & C	Alternate display of channel A, B, & C
d AC	Display A & C	Alternate display of channel A & C
d A-u	Display A and units/tags	Alternate display of channel A and the unit/tag
d bC	Display B & C	Alternate display of channel B & C
d b-u	Display B and units/tags	Alternate display of channel B and the unit/tag
d [h-A	Display Ch-A	Assign display to channel A
d [h-b	Display Ch-B	Assign display to channel B
d [h-C	Display Ch-C	Assign display to channel C (math)
d [C-u	Display C and units/tags	Alternate display of channel C and the unit/tag
d Hi-A	Display Hi A	Display high value of channel A
d Hi-b	Display Hi B	Display high value of channel B
d Hi-C	Display Hi C	Display high value of channel C
d HL-A*	Display Hi/Low A*	Alternate between high/low value of channel A (*or B or C)
d Hold	Display Hold	Set digital inputs and function keys for display hold
d Lo-A	Display Lo A	Display low value of channel A
d Lo-b	Display Lo B	Display low value of channel B
d Lo-C	Display Lo C	Display low value of channel C
d off	Display off	Display off (blank)
d unit	Display unit	Display unit of big display
dEc Pt	Decimal point	Set decimal point
dELAY	Delay	Enter relay <i>Time Delay</i> menu
d I I	Digital input 1	Assign digital input 1-8, if expansion modules are connected
d RC	Diagnostics	Display meter information
d Rrr r	Diameter	Enter the tank's diameter in inches or cm

Display	Parameter	Action/Setting Description
<i>d iF</i>	<i>Difference</i>	Channel C = (A-B+P)*F
<i>d iFRbS</i>	<i>Absolute difference</i>	Channel C = ((Absolute value of (A-B))+P)*F
<i>d- iNtY</i>	<i>Display intensity</i>	Set display intensity level from 1 to 8
<i>d iS 1</i>	<i>Display 1</i>	Program display 1 value
<i>d iS 2</i>	<i>Display 2</i>	Program display 2 value (up to 32 points)
<i>d iSRbL</i>	<i>Disable</i>	Disable function key
<i>d iD iDE</i>	<i>Divide</i>	Channel C = ((A/B)+P)*F
<i>dLY 1</i>	<i>Delay 1</i>	Enter relay 1 time delay setup (1-8)
<i>do 1</i>	<i>Digital output 1</i>	Assign digital output 1 – 8, if expansion modules are connected
<i>donE</i>	<i>Done</i>	Copy function completed
<i>drRbL</i>	<i>Draw</i>	Channel C = ((A/B)-1)*F
<i>dSEt 1</i>	<i>Display set 1</i>	Select to display set point 1 (1-8)
<i>dSPRAY</i>	<i>Display</i>	Enter the <i>Display</i> menu
<i>EntEr</i>	<i>Enter button</i>	Assign digital input to Enter button/F3
<i>Error</i>	<i>Error</i>	Error, calibration not successful, check signal or programmed value
<i>F On 1</i>	<i>Force On 1</i>	Force relay 1 on using and digital input
<i>F 1*</i>	<i>F1 function key</i>	Assign F1 (*or F2 or F3) function key
<i>F4</i>	<i>F4 function</i>	Assign F4 function (digital input)
<i>FActor</i>	<i>Factor</i>	The channel C math function multiplication factor constant F
<i>FR iLSF</i>	<i>Fail-safe</i>	Enter <i>Fail-safe</i> menu
<i>F iLEr</i>	<i>Filter</i>	Set noise filter value
<i>FLS 1</i>	<i>Fail-safe 1</i>	Set relay 1 fail-safe operation (1-8)
<i>ForcE</i>	<i>Force</i>	Force analog output value for loop break
<i>FuncEn</i>	<i>Signal input conditioner</i>	Select linear, square root, programmable exponent, or round horizontal tank function
<i>H i-Rb</i>	<i>Max of A or B</i>	C = ((High value of channel A or B)+P)*F
<i>iCAL</i>	<i>Internal calibration</i>	Enter internal calibration (used for recalibrating the meter with a calibrated signal source)
<i>iGnorE</i>	<i>Ignore</i>	Ignore loop break condition
<i>iN CAL</i>	<i>Input Calibration</i>	Enter the <i>Input Calibration</i> menu
<i>iNch</i>	<i>Inch</i>	Select inch as the tank unit of measurement
<i>iNFo</i>	<i>Information</i>	Display software and S/N information
<i>iN P 1</i>	<i>Input 1</i>	Calibrate input 1 signal or program input 1 value

Display	Parameter	Action/Setting Description
InP 2	Input 2	Calibrate input 2 signal or program input 2 value (up to 32 points)
InPsel	Input	Enter Input selection menu
LATCH	Latching	Set relay for latching operation
LEd t	LED test	Test all LEDs
LEnGth	Length	Enter the tank's length in inches or cm
Linear	Linear	Set meter for linear function and select number of linearization points
Max C	Max C on lower display	Assign digital input or F key to display max of channel C on the Lower display
Max B	Max on lower display	Assign digital input or F key to display max of channel B on the Lower display
Max/min	Max/min lower display	Assign digital input or F key to toggle max/min of channel B on the Lower display
Max/Min C	Max/Min C on lower display	Assign digital input or F key to toggle max/min of channel C on the Lower display
Min C	Min C on lower display	Assign digital input or F key to display min of channel C on the Lower display
Min B	Min on lower display	Assign digital input or F key to display min of channel B on the Lower display
Lower display	Lower display	Press Enter to assign the Lower display parameter (default: Ch-B)
Lo-A or B	Min of A or B	$C = ((\text{Low value of channel A or B}) + P) * F$
Locked	Locked	Enter password to unlock meter
Latching-cleared	Latching-cleared	Set relay for latching operation with manual reset only after alarm condition has cleared
4-20 mA	4-20 mA	Set meter for 4-20 mA input
Manual	Manual	Press Enter to manually control relays or analog output operation
Math	Math	Select channel C math function
Maximum	Maximum	Program maximum mA output allowed
Modbus	Modbus	Select to display Modbus input or to assign Modbus input as the analog output source
Menu button	Menu button	Assign digital input to Menu button
Minimum	Minimum	Program minimum mA output allowed
Multiplication	Multiplication	Channel C = $((A * B) + P) * F$
Num of points	Num of points	Set meter for 2 to 32-point linearization
Relays output hold	Relays output hold	Assign digital input or function keys to hold all relay states
Off	Off	Disable relay and front panel status LED, turn relays off, program off time delay
Off 1	Off 1	Set relay 1 Off time delay (1-8)
On	On	Enable fail-safe operation, turn relays on, program on time delay

Display	Parameter	Action/Setting Description
0-rAN0	Overrange	Program mA output for display overrange
Out 1	Output 1	Program output 1 value (e.g. 4.000 mA)
Out 2	Output 2	Program output 2 value (e.g. 20.000 mA)
PASS	Password	Enter the Password menu
PASS 1	Password 1	Set or enter Password 1 (Allows use of the F1-F3 function keys)
PASS 2	Password 2	Set or enter Password 2 (Allows use of the F1-F3 function keys and changing the set/reset points)
PASS 3	Password 3	Set or enter Password 3 (Restricts all programming & F1-F3 keys)
Prog	Program	Enter the Program menu
rAt io	Ratio	Channel C = (A/B)*F
rELAY	Relay	Enter the Relay menu
rESEt	Reset	Press Enter to access the Reset menu
rht	Round horizontal tank	Set meter for round horizontal tank volume calculation
r iht	Right arrow	Assign digital input to Right arrow button/F1
rLY 1	Relay 1	Relay 1 setup (1-8)
rLY d	Disable relay	Assign digital input and function keys to disable all relays
rLY E	Enable relay	Assign digital input to enable all relays
round	Round	Enter the round menu
rSE 1	Reset 1	Program reset point 1 (1-8)
rSE H i	Reset high	Press Enter to reset max display
rSE HL	Reset high & low	Press Enter to reset max & min displays
rSE Lo	Reset low	Press Enter to reset min display
rSE tR	Reset tare	Reset tare
SAnr PL	Sampling	Set relay for sampling operation
SCALE A	Scale A	Enter the Scale menu for channel A
SCALE b	Scale B	Enter the Scale menu for channel B
SELEct	Select	Enter Select menu (function, round, math, constant, cutoff, output programming)
SEnd	Send	Send meter settings to another meter
SEr iAL	Serial	Set serial communication parameters
SEt 1	Set 1	Program set point 1 (1-8)
SEtUP	Setup	Enter Setup menu
SLAVE id	Slave ID	Set Slave ID or meter address
Source	Source	Select source for the 4-20 mA output
SqArE	Square root	Set meter for square root extraction
Sum	Sum	Channel C = (A+B+P)*F
TArE A	Tare A	Activate tare on channel A
TArE b	Tare B	Activate tare on channel B

Display	Parameter	Action/Setting Description
$t_r dLY$	<i>Transmit delay</i>	Set transmit delay for serial communication
$un itS$	<i>units</i>	Enter in channel A, B, and C input units/tags
$unLoc$	<i>Unlocked</i>	Program password to lock meter
uP	<i>Up arrow</i>	Assign digital input to Up arrow button/F2
$u-rRnG$	<i>Underrange</i>	Program mA output for display underrange
$uSEr$	<i>User I/O</i>	Assign function keys and digital I/O
$U CAL$	<i>Voltage calibration</i>	Calibrate voltage input
$U H i$	<i>Voltage high</i>	Calibrate high voltage input (e.g. 10 V)
$U Lo$	<i>Voltage low</i>	Calibrate low voltage input (e.g. 0 V)
$uolt$	<i>Volt</i>	Set meter for volt input
$uAveG$	<i>Weighted avg.</i>	Channel C = ((B-A)*F)+A

Troubleshooting Tips

Symptom	Check/Action
No display at all	Check power at power connector
Not able to change setup or programming, <i>Locd</i> is displayed	Meter is password-protected, enter correct six-digit password to unlock
Meter displays error message during calibration (<i>Error</i>)	Check: 1. Signal connections 2. Input selected in <i>Setup</i> menu 3. Minimum input span requirements
Meter displays 1. 999999 2. -999999	Check: 1. Input selected in <i>Setup</i> menu 2. Corresponding signal at Signal connector
Display is unstable	Check: 1. Input signal stability and value 2. Display scaling vs. input signal 3. Filter and bypass values (increase)
Display response is too slow	Check filter and bypass values
Display reading is not accurate	Check: 1. Signal input conditioner selected: Linear, square root, etc. 2. Scaling or calibration
Display does not respond to input changes, reading a fixed number	Check: 1. Display assignment, it might be displaying max, min, or set point.
Display alternates between 1. $H i$ and a number 2. Lo and a number	Press Menu to exit max/min display readings.
Relay operation is reversed	Check: 1. Fail-safe in <i>Setup</i> menu

	2. Wiring of relay contacts
Relay and status LED do not respond to signal	Check: 1. Relay action in <i>Setup</i> menu 2. Set and reset points
Flashing relay status LEDs	Relays in manual control mode or relay interlock switches opened.
Meter not communicating with application programs	Check: 1. Serial adapter and cable 2. Serial settings 3. Meter address and baud rate
If the display locks up or the meter does not respond at all	Cycle the power to reboot the microprocessor.
Other symptoms not described above	Call Technical Support for assistance.

How to Contact Precision Digital

- For Technical Support please
Call: (800) 610-5239 or (508) 655-7300
Fax: (508) 655-8990
Email: support@predig.com
- For Sales Support or to place an order please contact your local distributor or
Call: (800) 343-1001 or (508) 655-7300
Fax: (508) 655-8990
Email: sales@predig.com
- For the latest version of this manual please visit **www.predig.com**