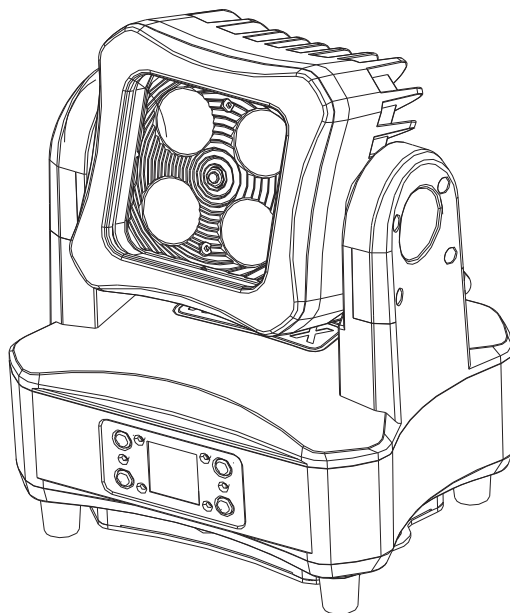




DIAPro LED Battery Wash Beam IP65



USER MANUAL





1. BEFORE YOU BEGIN

What is included

- ✦ 1 x Fixture
- ✦ 1 x Power cable with plug
- ✦ 1 x User Manual

Unpacking Instructions

Immediately upon receiving a fixture, carefully unpack the carton; check the contents to ensure that all parts are present, and have been received in good condition. Notify the shipper immediately and retain packing material for inspection if any parts appear damaged from shipping or the carton itself shows signs of mishandling. Save the carton and all packing materials. In the event that a fixture must be returned to the factory, it is important that the fixture be returned in the original factory box and packing.

AC POWER

This fixture has an auto-switching switch-mode power supply that can accommodate a wide range of input voltages. The only thing necessary to do before powering on the unit is to make sure the line voltage you are applying is within the range of accepted voltages. This fixture will accommodate between 100V and 240V AC 50-60 Hz. Each light is connected end to end by the power socket "POWER IN" and "POWER OUT" on the light, or use the waterproof power cord. Please ensure the head and the tail tightening when connect the lights, to prevent the power leakage occurred by water seepage to the plug.



Help preserve the environment! Ensure that this product is recycled at the end of its life. Your supplier can give details of local arrangements for the disposal of products.





Safety Instructions



WARNING!

Please read these instructions carefully, which includes important information about the installation, usage and maintenance of this product..

The following symbols are used to identify important safety information on the product and in this manual:



DANGER!
Safety hazard.
Risk of severe injury or death



DANGER!
Hazardous Voltage. Risk of lethal or severe electric shock.



WARNING!
Fire hazard



WARNING!
LED light emission. Risk of eye injury.



WARNING!
Refer to user

- This light belongs to grade I protection device, therefore the light must connect to the earth excellently. And the power connection must be operated by the professional technician.
- Make sure that the working voltage will not higher or lower than the rated value.
- Make sure that the cable didn't be damage or lacerated by sharp.
- The light must be power off when it's standing idle or before clearing.
- The cable must with plug, and you must pull out the cable by handle the plug.
- Please be careful when installing the lighting. Never touch the bared cable, or it will cause the deadly electric shock.
- Please use the suitable and safe cable to connect the light.
- Please never remodel the light randomly, we will not take the guarantee for the faulty and damage which caused by dismantle、repair or remodel of the nonprofessional person.
- Maximum ambient temperature 40°C. Do not operate fixture at temperatures higher than this.
- Never connect the device to a dimmer pack.





2.INTRODUCTION

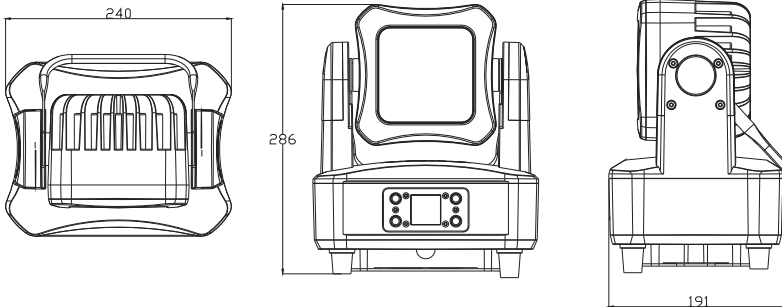
Specifications

- Voltage Rating: AC100V~240V 50-60Hz
- Power Rating: 50W
- LED Quantity: 4 x10 W RGBW
- Lens: 8°-40° Zoom
- Ingress Protection: IP65 /indoor(option)
- Product Size: 240x191x286mm
- N/W:6Kgs

Battery

- Duration 9 hours full white,
- 20 hours color fade
- 4-hour fast charge from flight case,
- 8 hours in slow charge with PowerCon
- More than 1,000 charge/deplete cycles
- No memory effect
- No acid leaks

Dimensions

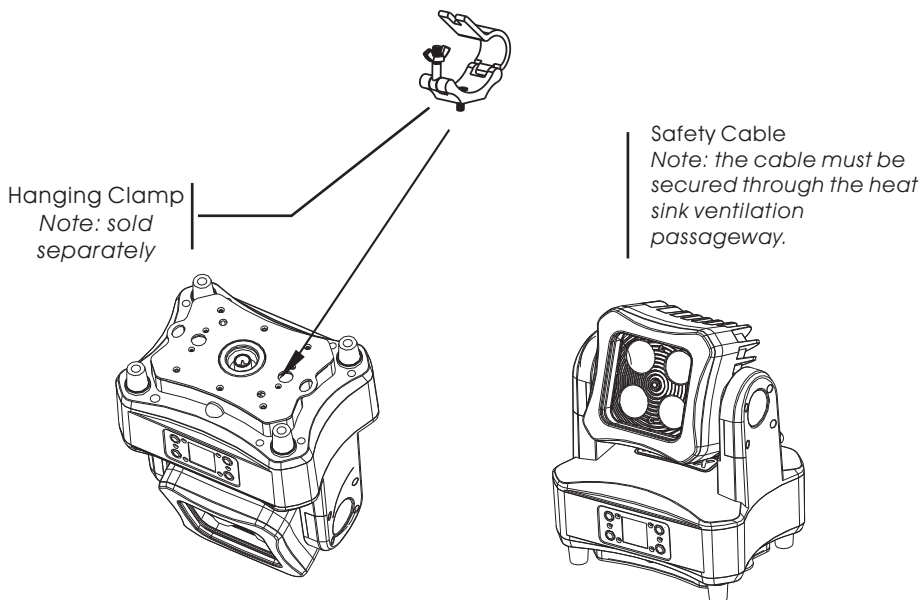




3.SETUP

Installation Requirement

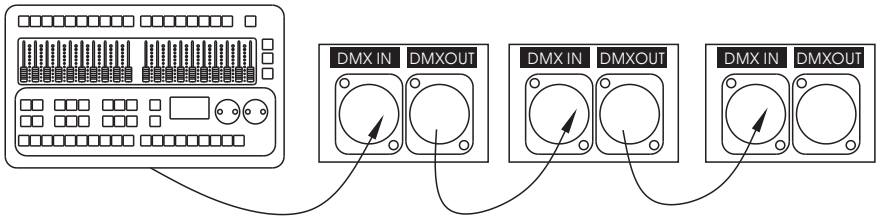
- This product can be used in a variety of situations, can hang and put on the ground.
- If hanging the fixture for over head use, then please follow the below steps.
- Please choose the suitable location to put or hang the light when installing it. You must use the exclusive clamp hanger and screw when hanging it, and make sure the weight of the light is within limits of the hanger.
- Please make sure without any flammable objects within 0.5m when installing the light.
- The installation should be operated by professional person; any irregular installation will cause the body injury or equipment damage.
- Block access below the work area and use suitable and stable platform when installing or servicing fixture.





Connection of DMX Signal Wire

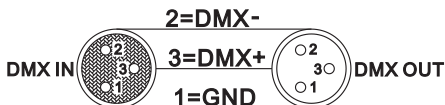
- 1 Please use the fixture controller wire specially when use the DMX512 Controller. Connect the (male) 3 pin connector side of the DMX cable to the output (female) 3 pin connector of the first fixture.
- 2 Connect the end of the cable coming from the first fixture which will have a (male) 3 pin connector to the input connector of the next fixture consisting of a (female) 3 pin connector. Then, proceed to connect from the output as stated above to the input of the following fixture and so on.
- 3 This product can be connected numerous lamps in series without the need for the signal amplifier; the signal will not be weakened.





3-PIN TO 5-PIN CONVERSION CHART

Note! If you use a controller with a 5 pin DMX output connector, you will need to use a 5 pin to 3 pin adapter.



3 PIN TO 5 PIN CONVERSION CHART

Conductor	3 Pin Female(output)	5 Pin Male (Input)
Ground/Shield	Pin 1	Pin 1
Data (-) signal	Pin2	Pin2
Data (+) signal	Pin 3	Pin 3
Do not use		Do not use
Do not use		Do not use

4. OPERATING INSTRUCTIONS

Control Panel Functions



Holding down the “UP” or “DOWN” button for more than 3 seconds, the MENU display rotated 180°

BUTTON	FUNCTION
MODE	Exits from the current menu or function
UP	Navigates upwards through the menu list and increases the numeric value when in a function
DOWN	Navigates downwards through the menu list and decreases the numeric value when in a function
ENTER	Enables the currently displayed menu or sets the currently selected value in to the selected function





MAIN FUNCTION	SUB-FUNCTION	SELECTION	INSTRUCTION
DMX ADDRESS		001~512	Set DMX start address
CONTROL MODE	ADVANCED	12CH	12 Channls
	BASIS	05CH	5 Channls
	NORMAL	08CH	8 Channls
Static color	Dimmer	00~100	Dimmer
	Red	00~100	User can combine RED, GREEN, BLUE, WHITE to generate a custom color
	Green	00~100	
	Blue	00~100	
	White	00~100	
	zoom	00~100	zoom
	Strobe	SP(0-20)	0~20Hz)Select strobe frequency
Auto	Auto(1~8)		Auto program
	Custom		Custom program
PERSONALITY	Tempreture	ON/OFF	Temperature display on/off
	Color Calib	ON/OFF	Color calibration mode on/off
	Dimmer Speed	Fast	Fast dimming with unrestricted speed
		Smooth	Smooth dimming with restricted speed
	W-DMX	ON	Turn on the Wireless
		OFF	Turn off the Wireless
		RESET	Reset the Wireless
Scene Editor	SCENE	0~255	Scene
	COLOR	R(0~100)	red
		G(0~100)	green
		B(0~100)	blue
		W(0~100)	white
		S(0~100)	(0~20Hz)Select strobe frequency
	Fade	F(0~255)	step time(XXX s)
	Time	T(0~255)	transition time of last step to current step(XXXs)
	Zoom	Z(0~255)	Wide → narrow
Use	OFF/ON		
Information		RESTORED	CPU firmware version
Factory RST			Return all settings to factory defaults





DMX512 Controller Mode

1、 Setting DMX512 Address



【DMX ADDRESS】 ⇨ 【001--512】

2、 Setting Channels

【CONTROL MODE】 ⇨ 【ADVANCED,BASIS,NORMAL】

3.WDMX control

【PERSONALITY】 ⇨ 【WDMX】 ⇨ 【ON/OFF/RESET】

If the unit is successfully connected in the home display the sign “”. Appears. If the unit is not connected to a transmitter or switched off no “”. sign is visible





DMX512 Channel Values

ADV	BAS	NOR	Value	Description
				Electronic shutter effect
			0 - 19	Shutter closed
			20 - 24	Shutter open
			25 - 64	Strobe 1 (fast --slow)
			65 - 69	Shutter open
			70 - 84	Strobe 2: opening pulse (fast--slow)
			85 - 89	Shutter open
			90 - 104	Strobe 3: closing pulse (fast--slow)
			105 - 109	Shutter open
			110 - 124	Strobe 4: random strobe (fast--slow)
			125 - 129	Shutter open
			130 - 144	Strobe 5: random opening pulse (fast -- slow)
1、		1、	145 - 149	Shutter open
			150 - 164	Strobe 6:random closing pulse (fast-- slow)
			165 - 169	Shutter open
			170 - 184	Strobe 7: burst pulse (fast--slow)
			185 - 189	Shutter open
			190 - 204	Strobe 8: random burst pulse (fast--slow)
			205 - 209	Shutter open
			210 - 224	Strobe 9:sine wave (fast --slow)
			225 - 229	Shutter open
			230 - 244	Strobe 10: sine wave pulse(fast --slow)
			245 - 255	Shutter open
2、		2、	000 - 255	Dimmer (0-100%)
3、	1、	3、	000 - 255	ZOOM(0-100%)
4、			000 - 255	Color wheel rotation effect
5、	2、	4、	000 - 255	Red(0-100%)
6、	3、	5、	000 - 255	Green(0-100%)
7、	4、	6、	000 - 255	Blue(0-100%)
8、	5、	7、	000 - 255	White(0-100%)
9、		8、	000 - 255	Color temperature(2500K-10000K)
10、			000 - 255	AUTO(0-10)
11、			000 - 255	AUTO SPEED
12、			000 - 255	DIMMER SPEED



