

LANtest^{Pro}TM

Remote Network Cable Tester

User Manual



This manual covers the following models

256652/LB	LANtest Pro
256652/LBT	LANtest Pro with tone generator
256652/IDT	LANtest Pro with tone generator and 4 remote IDs
256652/TK	LANtest Pro with 256712A Probe
256652/TFK	LANtest Pro with 256712F Probe

Contents	Page
1. Introduction	1
2. LANtest Pro Features	1
3. LANtest Pro Specifications	2
4. LANtest Pro Cable Test Operation	3
5. LANtest Pro Tone Generator Operation	3
6. LANtest Pro Remote ID Operation	4
7. Probe Features	4
8. Probe Specifications	5
9. Probe Operation	5
10. Product Profile	5
11. Fault Status	8
12. Battery Replacement	9
13. Warning	9

Introduction

Congratulations on your purchase of the **LANtest Pro** network cable tester series! The **LANtest Pro** is a small hand-held cable tester, which enables network professionals to quickly and easily verify the integrity of Ethernet twisted pair cables. In one step, the **LANtest Pro** will test twisted pair cables for open pairs, shorted pairs, reversed pairs, crossed pairs and split pairs. Just push the TEST button, and the **LANtest Pro** will automatically scan for any existing faults in your cable. The specially designed remote terminator is provided for one-person testing of installed cables. The tone generator function can be used to send a signal through your installed cables which can be traced with the Probe or any cable tracer in the market.

Package Contents:

Item Number	Remotes	Manual	Soft carry case	Probe	Probewith filter
256652/LB	1	Y	Y	N	N
256652/LBT	1	Y	Y	N	N
256652/IDT	4	Y	Y	N	N
256652/TK	1	Y	Y	Y	N
256652/TFK	1	Y	Y	Y	Y

For 256652/IDT & 256652/LBT Users can buy 256712A or 256712F to Upgrade the tone function

LANtest Pro Features

- Tests for wiring faults of open, short, reversed, crossed and split pairs
- Split pair fault detection at a minimum 40cm cable length
- Testing of twisted pair cables to over 450ft
- Tone generator for tracing installed cables and locating faults (available on models 256652/LBT, 256652/TK, 256652/TFK and 256652/IDT)
- Identification of up to 4 remote termination units (available

- on model 256652/IDT)
- Verification of shield integrity
- Cross talk detection in excess of 3dB + 0.3dB at 3.5Mhz between any two pairs
- Specially designed remote unit that enables one person to test installed cables
- Easy to read fault display and high speed testing
- Debug mode for detailed fault identification results
- Auto sleep mode and power off switch to decrease power consumption

LANtest Pro Specifications

- **Connectors**

LANtest Pro Main Unit – RJ45 jack

Remote Unit – RJ45 jack

- **Pairs tested**

1/2, 3/6, 4/5, 7/8 and shield

- **LED display**

Horizontal: 5 Green LEDs for pair and shield display (1-2, 3-6, 4-5, 7-8 and shield)

TO NE G. LED (for models 256652/LBT, 256652/TK, 256652/TFK and 256652/IDT)

Vertical: 5 Red LEDs for fault display and #ID display (OPEN, SHORT, REVERSED, MISWIRE, SPLIT PAIRS and LOW BATTERY)

For 256652/IDT the fault display shares with the #ID Display (#1, #2, #3, #4)

- **Cable test length limit**

Minimum: 0.4m Maximum: Over 200m

- **Power:**

LANtest Pro: 6V alkaline DC battery

Remote identifier: No battery required

- **Dimensions:**

LANtest Pro: 125 x 52 x 30 mm (L x W x H)

- **Low battery indicator**

LANtest Pro Cable Test Operation:

1. Select "Cable" position on the toggle switch.
2. Plug one end of the subject cable into the RJ45 jack on the master unit and the other end into the RJ45 jack on the remote terminator.

Note: The remote terminator can be slipped and locked into the master unit for convenient testing of patch cables.

3. Push the test button and check the results: First, check the 5 horizontally aligned green LED indicators (1-2, 3-6, 4-5, 7-8, SHIELD) for integrity status:

Solid light	: pair is OK
Flashing light	: pair is faulty
No light	: open pair

- a. Simultaneously, check the 5 vertically aligned LED indicators (SHORT, REVERSED, MISWIRE, SPLIT PAIRS) for the wiring faults.
- b. For more detailed information about what faults are occurring in which pairs, hold the TEST button for 2 seconds to activate "Debug mode." The tester will test each pair one by one, pausing briefly on each pair, and display the corresponding fault status.

LANtest Pro Tone Generator Operation (only available on models 256652/LBT, 256652/TK, 256652/TFK and 256652/IDT):

1. Slide the toggle switch on the LANtest Pro to the "Tone" position
2. Quickly press the TEST button once for continuous tone mode, or hold down for two full seconds for warble tone

- mode. To change modes, switch tester off and restart.
- Using switch on side of Probe, select "speaker mode," "LED mode" or "speaker & LED mode."
 - Use the Probe or any cable tracer to trace the subject wire. Reception of tone will be loudest (amplifier) or brightest (LED) on the subject wire.

LANtest Pro Remote ID Operation (available on model 256656/IDT)

- Select "Cable" position on the toggle switch.
- Plug one end of the subject cable into the RJ45 jack on the master unit and the other end into the RJ45 jack on the remote terminator.
- Press the TEST button. One of the IDLED's will flash three times. This indicates the number of the remote identification unit attached to the far end of the subject cable. The tester will then automatically continue with the same cable test procedure as the standard LANtest Pro.

Probe Features:

- Special inductive plastic tip which prevents accidental shorts (possible with copper-tip tracers) when using near high voltage devices
- Traces and identifies wires or cable in a bundle or group without damaging cable insulation
- Adjustable volume level for various work environments
- Both amplifier and LED for loud or dark work environments
- Can work with any existing tone generator in the market

Probe Specifications:

- Pen-style casing
- Special inductive plastic tip
- One push-button TRACE switch
- One battery low LED indicator
- One amplifier and one LED for signal detection
- One rotary volume level switch

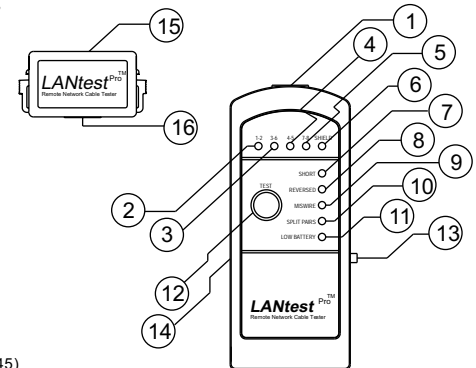
Probe Operation:

- With the toggle switch on the side of the Probe unit, select the mode of operation:
 - S & L:** Speaker amplifier and LED tracing mode
 - Sp. :** Speaker only tracing mode
 - L :** LED only tracing mode
- Press and hold the TRACE button while approaching the subject cable. The intensity of the tone signal will increase as the Probe approaches the cable.

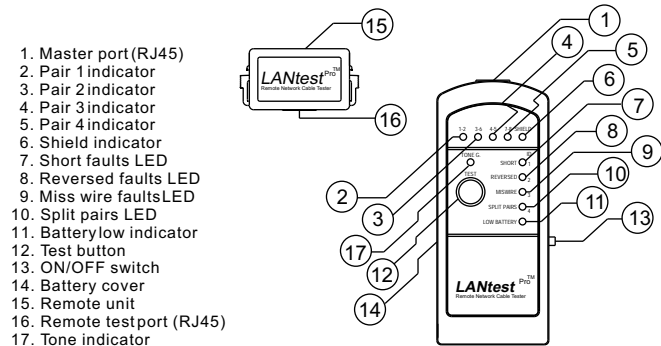
Product Profile

256652/LB

1. Master port (RJ45)
2. Pair 1 indicator
3. Pair 2 indicator
4. Pair 3 indicator
5. Pair 4 indicator
6. Shield indicator
7. Short faults LED
8. Reversed faults LED
9. Miss wire faults LED
10. Split pairs LED
11. Battery low indicator
12. Test button
13. ON/OFF switch
14. Battery cover
15. Remote unit
16. Remote test port (RJ45)

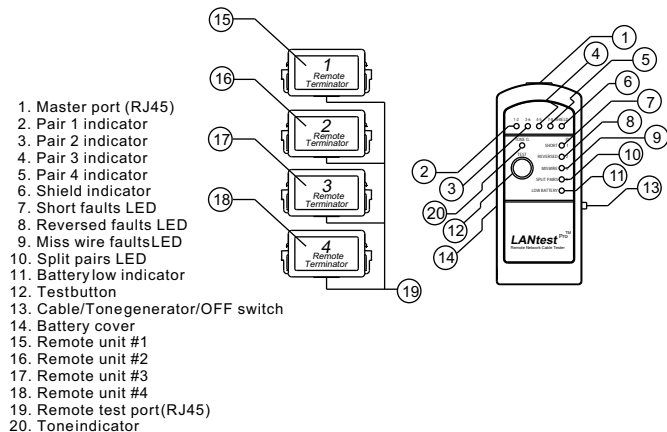


256652/LBT (with tonegenerator model)



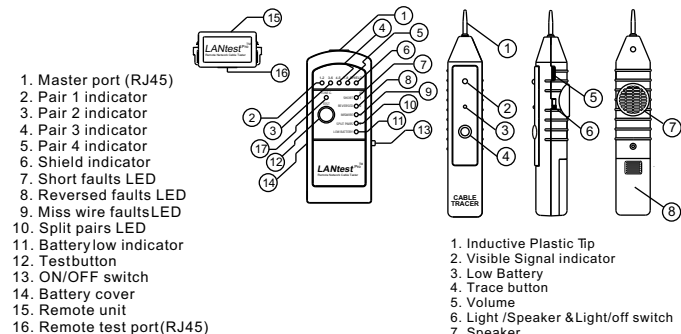
256652/IDT

LANtest Pro withtone generator and 4 remote IDs



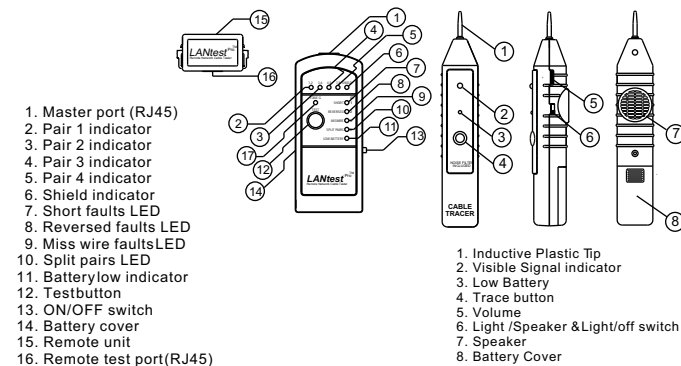
256652/TK

256652/LBT with 256712A Probe

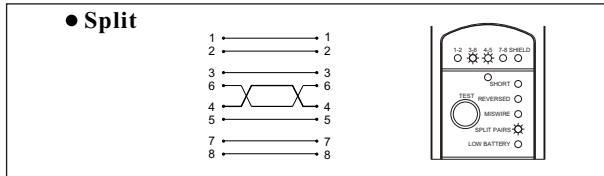
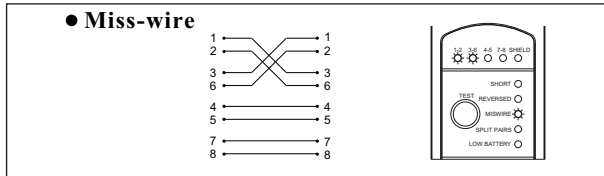
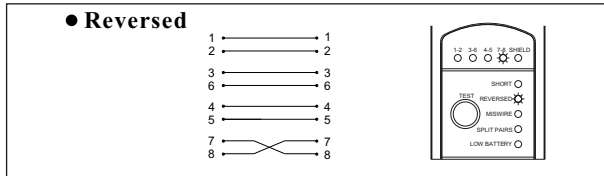
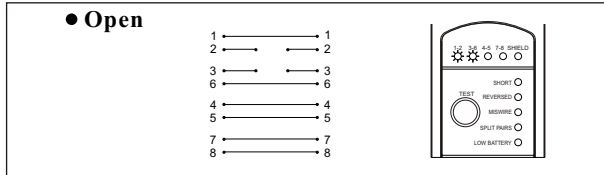
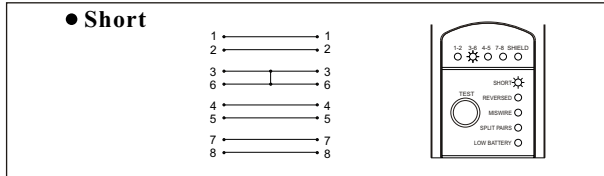


256652/TFK

256652/LBT with 256712F Probe (with Filter)

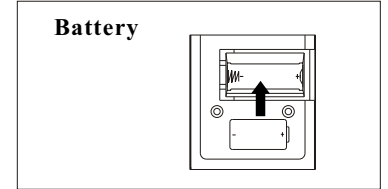


Fault Status



Battery Replacement

When the LOW BATTERY light illuminates, the battery does not have sufficient power to support an accurate test. At this time, you must replace it with a new battery.



Warning

1. Do not connect LANtest Pro to a live circuit as it may damage the tester and interfere with a live network.
2. Testing in a high frequency activated area may cause the tester to give inaccurate readings.
3. Do not drop or get the tester wet as it may cause internal damage.
4. Do not place the tester in areas of high humidity or direct sunlight.
5. Do not open the tester or attempt to repair in case of malfunction. Please send it back to your distributor for repair or replacement.