



UC3 WIRELESS

4 OUTPUT WIRELESS UC3 CONTROLLER

Introduction:

Congratulations and thank you for purchasing the American DJ UC3 Wireless. The UC3 Wireless is a great upgrade to our regular UC3 controller. The UC3 Wireless was designed for DJs, Bands, Bars/Clubs, and Mobile Entertainers that want to control multiple American DJ light fixtures that are UC3 compatible, yet still enjoy the easy-of-use the single channel UC3 controller offers. This wireless pack had 4 outputs with the capability to control 4 master fixtures and an infinite number of slave fixtures. The UC3 Wireless is compact and light-weight, and can be mounted on truss, lighting stands, wall, or ceilings. The UC3 Wireless has a transmitting distance of 325ft. or 100 meters. With the wireless remote you are able to control Stand By (Black Out), Function, and Mode for each output. Please refer to your units user manual for its UC3 functions and controls. The remote also comes with Lock Out function that allows you to lock the buttons to avoid any accidental function changes.

Customer Support: American DJ® provides a toll free customer support line, to provide set up help and to answer any question should you encounter problems during your set up or initial operation. You may also visit us on the web at www.americandj.com for any comments or suggestions. *For service related issue please contact American DJ®.* Service Hours are Monday through Friday 9:00 a.m. to 4:30 p.m. Pacific Standard Time.

Voice: (800) 322-6337

Fax: (323) 582-2941

E-mail: support@americandj.com

To purchase parts online visit <http://parts.americandj.com>

Caution! There are no user serviceable parts inside this unit. Do not attempt any repairs yourself, doing so will void your manufactures warranty. In the unlikely event your unit may require service please contact American DJ customer support.

The UC3 Wireless carries a 1 Year (365 days) limited warranty. Please fill out the enclosed warranty card to validate your purchase. All returned service items whether under warranty or not, must be freight pre-paid and accompany a return authorization (R.A.) number. If the unit is under warranty you must provide a copy of your proof of purchase invoice. Please contact American DJ® customer support for a R.A. number. For additional warranty info please visit our website.

*****THIS SYSTEM HAS BEEN SYNCHRONIZED AT THE FACTORY AND IS READY FOR USE RIGHT OUT OF THE BOX***
If your system becomes unsynchronized you can follow the steps below to resync.**

SET UP AND SYNCH: When using the UC3 Wireless please refer to your units user manual for its UC3 functions and controls. Please see other side for the UC3 Wireless controls and functions.

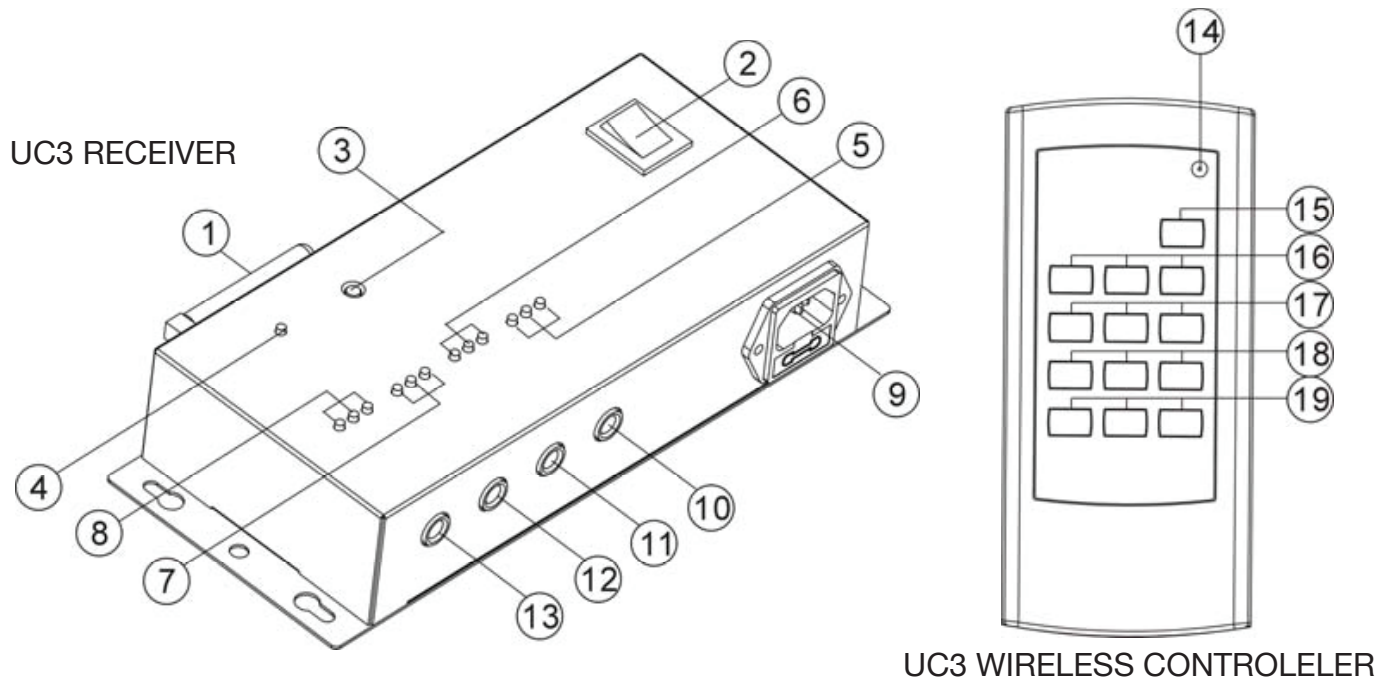
1. Using a 1/4" to 1/4" stereo cable, connect one end of the cable to the 1/4" jack on the back of your desired UC3 compatible fixture and the other end of the cable to one of the four 1/4" jacks located on the UC3 Receiver. Turn on the UC3 Receiver.
2. Once you have your unit(s) connected to the UC3 Receiver press the SET UP (3) button located on top of the Receiver, RF SIGNAL LED (4) will begin to flash.
3. When the RF SIGNAL LED (4) is lit, press any button on the UC3 Wireless Controller. Once you press any button, the RF SIGNAL LED (4) will turn off. The set up process is complete and you can begin controlling your connected unit(s).

RESET: Follow these instructions to reset the signal.

1. Press the SET UP (3) button located on top of the Receiver, DATA until the RECEIVING LED (4) is lit.
2. Now press the SET UP (3) button once to reset.

Specifications:

Voltage.....	120V/60Hz or 220V/50Hz (Not User Selectable)
Wireless Transmitting Distance.....	325ft./100M
Frequency.....	433.9Mhz
Fuse.....	1A
Receiver Dimensions.....	10.25 (L) x 4" (W) x 2" (H)
Receiver Weight.....	3lbs/1.3Kg



CONTROLS AND FUNCTIONS -

UC3 RECEIVER:

1. **Antenna** - Receives the signal from the UC3 Wireless Controller.
2. **Power Switch** - This switch powers on the UC3 Receiver.
3. **Set Up Button** - Press this button to set up the receiver.
4. **RF SIGNAL LED** - This LED will glow when the Set Up button has been pressed.
- 5-8. **LED Outputs 1-4** - These LED's will glow indicating activity. Example, the Stand By LED will glow when the unit is in Stand By mode.
9. **Power Cord Inlet** - This unit is equipped with a removable I.E.C. power cord. Be sure to only use the power cord included with the unit, this cord is designed to match the electrical requirements of the unit. Other cords may cause the unit to overheat or malfunction. Voltage may vary from venue to venue, when connecting this unit to a power supply be sure to connect to a matching power outlet. Never use this fixture if the ground prong has been removed or broken off. The ground prong is designed to reduce the risk of fire or electrical shock in the event the unit suffers from an internal short.
- 10-13. **1/4" Output Jacks** - Connect your desired UC3 compatible fixture to these jacks.

UC3 WIRELESS CONTROLLER:

14. **RF SIGNAL LED** - This LED will blink when a command from the controller has been sent to the receiver.
15. **Lock Button** - Hold this button for at least 5 seconds to lock the controller. This will help prevent accidental changes of your running program or show. Hold this button again for at least 5 seconds to unlock the controller.
- 16-19. **Stand By, Function, and Mode Buttons** - Use these buttons to control your connected fixture. Please refer to your units user manual for its UC3 functions and controls. Each row of buttons corresponds to one of the 1/4" inputs.

American DJ®
 American DJ World Headquarters:
 6122 S. Eastern Ave. Los Angeles, CA 90040 USA
 Tel: 323-582-2650 / Fax: 323-725-6100
 Web: www.americandj.com/
 E-mail: info@americandj.com

American DJ Europe
 Junostraat 2
 6468 EW Kerkrade
 Netherlands
 Tel: +31 45 546 85 00 / Fax: +31 45 546 85 99
service@americandj.eu / www.americandj.eu