

Panasonic®

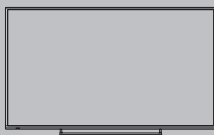
Model No.
TX-40CS520E
TX-50CS520E
TX-55CS520E

English

Nederlands

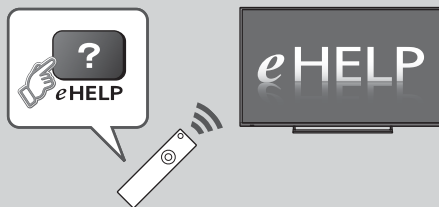
Română

Operating Instructions LCD Television



VIERA

For more detailed instructions, please refer to
[eHELP] (Built-in Operating Instructions).



- How to use [eHELP] ➔ (p. 15)

Thank you for purchasing this Panasonic product.

Please read these instructions carefully before operating this product and retain them for future reference.

Please carefully read the "Safety Precautions" of this manual before use.

The images shown in this manual are for illustrative purposes only.

Please refer to Pan European Guarantee Card if you need to contact your local Panasonic dealer for assistance.



TQB0E2501P41

English



- For information about the trademarks, refer to [eHELP] (Support > Licence).

Contents

Be Sure to Read

Important Notice	3
Safety Precautions	3

Quick Start Guide

Accessories	6
Connections	7
Identifying Controls	11
First time Auto Setup	13

Using your VIERA

Operation	14
How to Use eHELP	15

Others

FAQs	16
Maintenance	17
Specifications	17

Important Notice

Notice for DVB / Data broadcasting / IPTV functions

- This TV is designed to meet the standards (as of August, 2014) of DVB-T / T2 (MPEG2 and MPEG4-AVC(H.264)) digital terrestrial services, DVB-C (MPEG2 and MPEG4-AVC(H.264)) digital cable services.
- Consult your local dealer for availability of DVB-T / T2 services in your area.
- Consult your cable service provider for availability of DVB-C services with this TV.
- This TV may not work correctly with the signal which does not meet the standards of DVB-T / T2 or DVB-C.
- Not all the features are available depending on the country, area, broadcaster, service provider and network environment.
- Not all CI modules work properly with this TV. Consult your service provider about the available CI module.
- This TV may not work correctly with CI module that is not approved by the service provider.
- Additional fees may be charged depending on the service provider.
- Compatibility with future services is not guaranteed.
- Check the latest information on the available services at the following website. (English only)

<http://panasonic.net/viera/support>

Panasonic does not guarantee operation and performance of peripheral devices made by other manufacturers; and we disclaim any liability or damage arising from operation and/or performance from usage of such other maker's peripheral devices.

This product is licensed under the AVC patent portfolio license for the personal and non-commercial use of a consumer to (i) encode video in compliance with the AVC Standard ("AVC Video") and/or (ii) decode AVC Video that was encoded by a consumer engaged in a personal and non-commercial activity and/or was obtained from a video provider licensed to provide AVC Video. No license is granted or shall be implied for any other use.

Additional information may be obtained from MPEG LA, LLC.

See <http://www.mpegla.com>.

Transport only in upright position.

Safety Precautions

To help avoid risk of electrical shock, fire, damage or injury, please follow the warnings and cautions below:

■ Mains plug and lead

Warning

If you detect anything unusual, immediately remove the mains plug.



- This TV is designed to operate on AC 220-240 V, 50 / 60 Hz.
- Insert the mains plug fully into the mains socket.
- Ensure that the mains plug is easily accessible.
- Disconnect the mains plug when cleaning the TV.
- Do not touch the mains plug with wet hands.



- Do not damage the mains lead.
 - Do not place a heavy object on the lead.
 - Do not place the lead near a high temperature object.
 - Do not pull on the lead. Hold onto the mains plug body when disconnecting the plug.
 - Do not move the TV with the lead plugged into a mains socket.
 - Do not twist the lead, bend it excessively or stretch it.
 - Do not use a damaged mains plug or mains socket.
 - Ensure the TV does not crush the mains lead.
- Do not use any mains lead other than that provided with this TV.






■ Take care


Warning

- Do not remove covers and never modify the TV yourself as live parts are accessible when they are removed. There are no user serviceable parts inside.
- Do not expose the TV to rain or excessive moisture. This TV must not be exposed to dripping or splashing water and objects filled with liquid, such as vases, must not be placed on top of or above the TV.
- Do not insert foreign objects into the TV through the air vents.



- Do not use an unapproved pedestal / mounting equipment. Be sure to ask your local Panasonic dealer to perform the setup or installation of approved wall-hanging brackets.
- Do not apply any strong force or impact to the display panel.
- Ensure that children do not climb on the TV.
- Do not place the TV on sloping or unstable surfaces, and ensure that the TV does not hang over the edge of the base. 
- This TV is designed for table-top use. 
- Do not expose the TV to direct sunlight and other sources of heat. 

To prevent the spread of fire, keep candles or other open flames away from this product at all times



■ Suffocation / Choking Hazard

Warning

- The packaging of this product may cause suffocation, and some of the parts are small and may present a choking hazard to young children. Keep these parts out of reach of young children.

■ Pedestal

Warning

- Do not disassemble or modify the pedestal.

Caution

- Do not use any pedestal other than the one provided with this TV.
- Do not use the pedestal if it becomes warped or physically damaged. If this occurs, contact your nearest Panasonic dealer immediately.
- During setup, make sure that all screws are securely tightened.
- Ensure that the TV does not suffer any impact during installation of the pedestal.
- Ensure that children do not climb onto the pedestal.
- Install or remove the TV from the pedestal with at least two people.
- Install or remove the TV according to the specified procedure.

■ Radio waves

Warning

- Do not use the TV in any medical institutions or locations with medical equipment. Radio waves may

interfere with the medical equipment and may cause accidents due to malfunction.

- Do not use the TV near any automatic control equipment such as automatic doors or fire alarms. Radio waves may interfere with the automatic control equipment and may cause accidents due to malfunction.
- Keep at least 22 cm away from the TV if you have a cardiac pacemaker. Radio waves may interfere with the operation of the pacemaker.
- Do not disassemble or alter the TV in any way.

■ Built-in wireless LAN

Caution

- Do not use the built-in wireless LAN to connect to any wireless network (SSID*) for which you do not have usage rights. Such networks may be listed as a result of searches. However, using them may be regarded as illegal access.

*SSID is a name for identifying a particular wireless network for transmission.

- Do not subject the built-in wireless LAN to high temperatures, direct sunlight or moisture.
- Data transmitted and received over radio waves may be intercepted and monitored.
- The built-in wireless LAN uses 2.4 GHz and 5 GHz frequency bands. To avoid malfunctions or slow response caused by radio wave interference when using the built-in wireless LAN, keep the TV away from other devices that use 2.4 GHz and 5 GHz signals such as other wireless LAN devices, microwave ovens, and mobile phones.
- When problems occur due to static electricity, etc., the TV might stop operating to protect itself. In this case, turn the TV off at the Mains power On / Off switch, then turn it back on.
- Additional information for the wireless LAN and access point may be on the following website.

(English only)

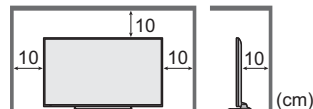
<http://panasonic.net/viera/support>

■ Ventilation

Caution

Allow sufficient space around the TV in order to help prevent excessive heat, which could lead to early failure of some electronic components.

Minimum distance:



- Ventilation should not be impeded by covering the ventilation openings with items such as newspapers, tablecloths and curtains.



- Whether you are using a pedestal or not, always ensure the vents at the bottom of the TV are not blocked and there is sufficient space to enable adequate ventilation.

■ Moving the TV

Caution

Before moving the TV, disconnect all cables.

- Move the TV with at least two people.

■ When not in use for a long time

Caution

This TV will still consume some power even in the Off mode, as long as the mains plug is still connected to a live mains socket.

- Remove the mains plug from the wall socket when the TV is not in use for a prolonged period of time.

■ Excessive volume

Caution

- Do not expose your ears to excessive volume from the headphones. Irreversible damage can be caused.
- If you hear a drumming noise in your ears, turn down the volume or temporarily stop using the headphones.



■ Battery for the Remote Control

Caution

- Incorrect installation may cause battery leakage, corrosion and explosion.
- Replace only with the same or equivalent type.
- Do not mix old and new batteries.
- Do not mix different battery types (such as alkaline and manganese batteries).
- Do not use rechargeable batteries (Ni-Cd, etc.).
- Do not burn or break up batteries.
- Do not expose batteries to excessive heat such as sunshine, fire or the like.
- Make sure you dispose of batteries correctly.
- Remove the battery from the unit when not using for a prolonged period of time to prevent battery leakage, corrosion and explosion.

LCD Television



Declaration of Conformity (DoC)

"Hereby, Panasonic Corporation declares that this TV is in compliance with the essential requirements and other relevant provisions of the Directive 1999/5/EC."

If you want to get a copy of the original DoC of this TV, please visit the following website:

<http://www.doc.panasonic.de>

Authorized Representative:

Panasonic Testing Centre

Panasonic Marketing Europe GmbH

Winsbergring 15, D-22525 Hamburg, Germany

This TV is intended to be used in the following countries.

Albania, Andorra, Austria, Belgium, Bulgaria, Croatia, Cyprus, Czech Republic, Denmark, Estonia, Finland, France, Germany, Greece, Hungary, Italy, Iceland, Latvia, Liechtenstein, Lithuania, Luxembourg, Malta, Monaco, Montenegro, Netherlands, Norway, Poland, Portugal, Romania, Slovakia, Slovenia, Spain, Sweden, Switzerland, Turkey, Macedonia

The wireless LAN feature of this TV shall exclusively be used inside buildings.

Accessories

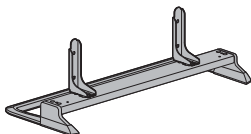
Remote Control

- ➔ (p. 11)
- N2QAYB001009



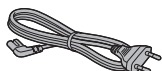
Pedestal

- ➔ (p. 6)



Mains lead

- ➔ (p. 8)



Batteries (2)

- R6
- ➔ (p. 12)



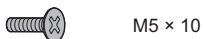
Operating Instructions

Pan European Guarantee Card

- Accessories may not be placed all together. Take care not to throw them away unintentionally.
- For information about the optional accessories, refer to [eHELP] (Support > Optional accessories).

Assembling / Removing the pedestal

(A) Assembly screw (4)



M5 × 10

(B) Assembly screw (4)

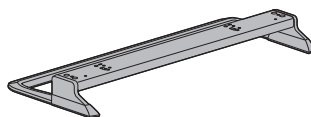


M4 × 12

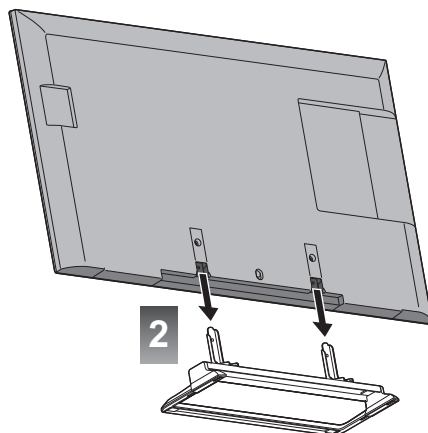
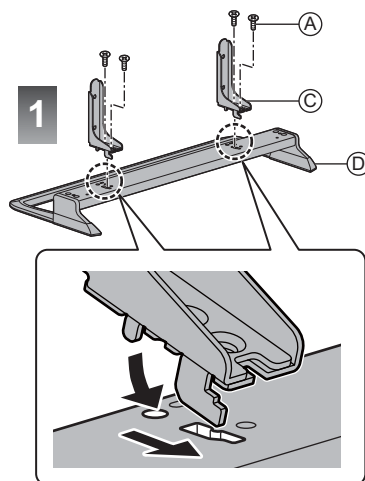
(C) Bracket (2)

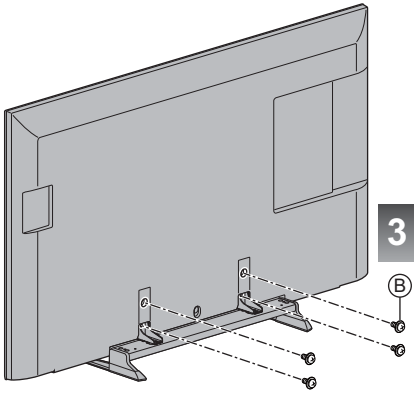


(D) Base



■ Assembling the pedestal





Removing the pedestal from the TV

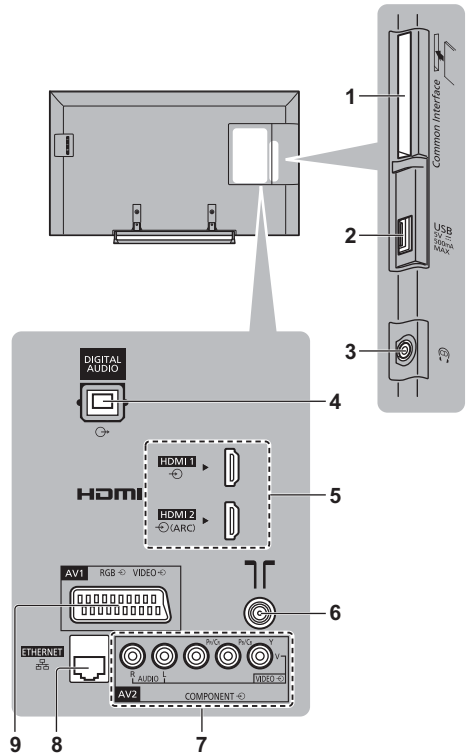
Be sure to remove the pedestal in the following way when using the wall-hanging bracket or repacking the TV.

- 1 Remove the assembly screws **B** from the TV.
- 2 Pull out the pedestal from the TV.
- 3 Remove the assembly screws **A** from the bracket.

Connections

- External equipment and cables shown are not supplied with this TV.
- Please ensure that the unit is disconnected from the mains socket before attaching or disconnecting any cables.
- Check the terminal type and cable plugs are correct for connection.
- Use a fully wired HDMI compliant cable.
- Use a fully wired SCART cable.
- Keep the TV away from electronic equipment (video equipment, etc.) or equipment with an infrared sensor, otherwise distortion of image / sound may occur or operation of other equipment may be affected.
- Please also read the manual of the equipment being connected.

Terminals

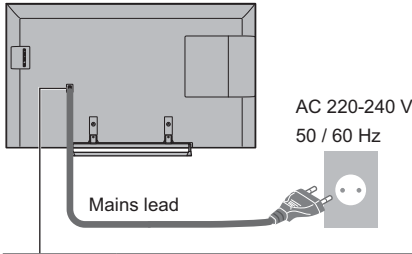


- 1 CI slot → (p. 10)
- 2 USB port
- 3 Headphone jack → (p. 10)
- 4 DIGITAL AUDIO
- 5 HDMI1 - 2 → (p. 9)

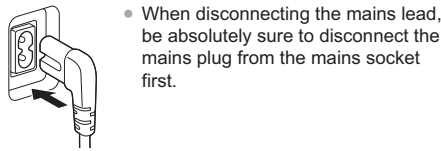
- 6 Terrestrial / cable terminal ➔ (p. 8)
- 7 AV2 (COMPONENT / VIDEO) ➔ (p. 9)
- 8 ETHERNET ➔ (p. 9)
- 9 AV1 (SCART) ➔ (p. 8, 9)

Basic connections

■ Mains lead

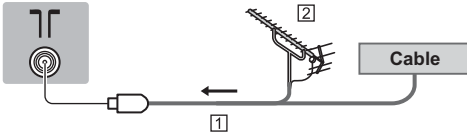


Insert the mains plug firmly into place.



■ Aerial

TV



- 1 RF cable
- 2 Terrestrial aerial
 - For DVB-C, DVB-T, Analogue

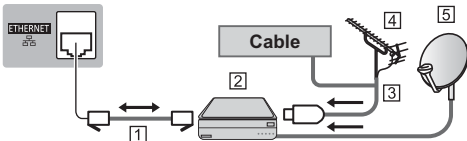
DVB-via-IP client connection

This TV has DVB-via-IP client function and can connect to DVB-via-IP server to watch broadcast streaming.

- It is recommended to connect to DVB-via-IP server with a LAN cable.

■ Wired connection

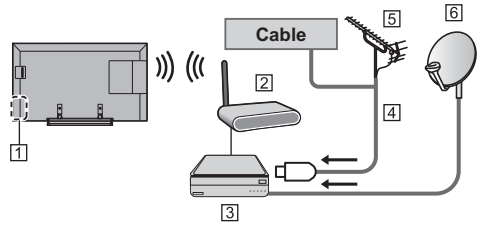
TV



- 1 LAN cable (Shielded)
 - Use Shielded Twist Pair (STP) LAN cable.
- 2 DVB-via-IP server

- 3 RF cable
- 4 Terrestrial aerial
- 5 Satellite dish

■ Wireless connection

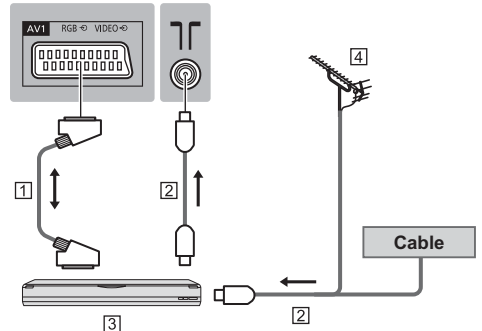


- 1 Built-in wireless LAN
 - 2 Access point
 - 3 DVB-via-IP server
 - 4 RF cable
 - 5 Terrestrial aerial
 - 6 Satellite dish
- Depending on the network condition and broadcast, this function may not be available.
 - For information about the connections, read the manual of the DVB-via-IP server.
 - For details, refer to [eHELP] (Functions > DVB-via-IP).

AV devices

■ DVD Recorder / VCR

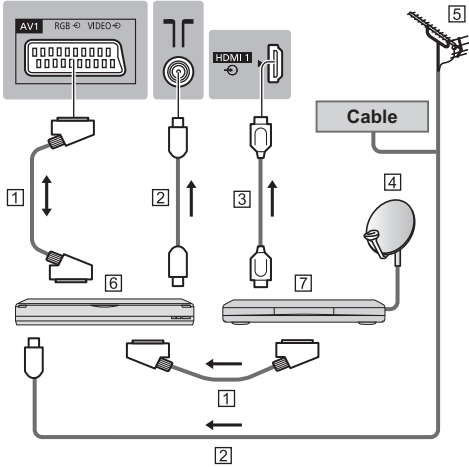
TV



- 1 SCART cable
- 2 RF cable
- 3 DVD Recorder / VCR
- 4 Terrestrial aerial

■ DVD Recorder (VCR) / Set top box

TV



- 1 SCART cable
- 2 RF cable
- 3 HDMI cable
- 4 Satellite dish
- 5 Terrestrial aerial
- 6 DVD Recorder / VCR
- 7 Set top box

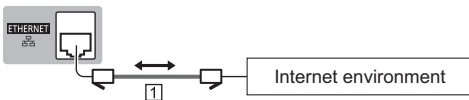
Network

A broadband network environment is required to be able to use internet services.

- If you do not have any broadband network services, please consult your retailer for assistance.
- Prepare the internet environment for wired connection or wireless connection.
- Setup of the network connection will start when first using the TV. ➔ (p. 13)

■ Wired connection

TV



- 1 LAN cable (Shielded)
 - Use Shielded Twist Pair (STP) LAN cable.

■ Wireless connection



- 1 Built-in wireless LAN

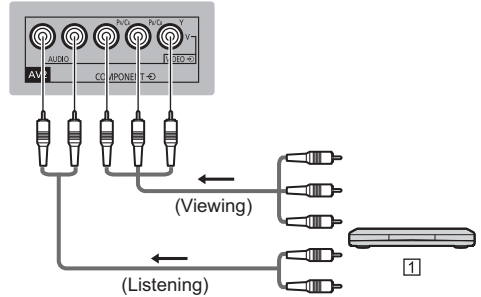
2 Access point

Other connections

■ DVD Player

(COMPONENT equipment)

TV

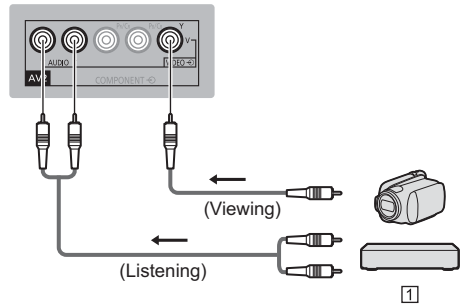


1 DVD Player

■ Camcorder / Game equipment

(VIDEO equipment)

TV

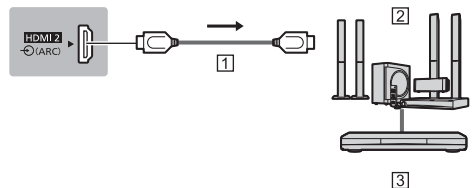


1 Camcorder / Game equipment

■ Amplifier (listening with external speakers)

- Use HDMI2 to connect the TV to an amplifier which has ARC (Audio Return Channel) function. If connecting to an amplifier without ARC function, use DIGITAL AUDIO.
- To enjoy multi-channel sound from external equipment (e.g. Dolby Digital 5.1ch), connect the equipment to the amplifier. For information about the connections, read the manuals of the equipment and amplifier.

TV



- ① HDMI cable
- ② Amplifier with speaker system
- ③ External equipment (DVD Player, etc.)

■ Headphones

- To adjust volume
 - ➔ **[Headphone Volume] in the Sound Menu**
- To select the sound output to adjust volume
 - ➔ **[Speaker Setting] in the Sound Menu**

TV



■ Common Interface

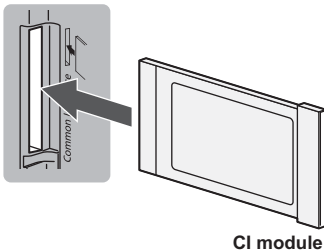
- Turn the TV off with Mains Power On / Off switch whenever inserting or removing the CI module.
- If a smart card and a CI module come as a set, first insert the CI module, then insert the smart card into the CI module.
- Insert or remove the CI module completely in the correct direction as shown.
- Normally encrypted channels will appear. (Viewable channels and their features depend on the CI module.)

If encrypted channels do not appear

➔ **[Common Interface] in the Setup Menu**

- There might be some CI modules in the market with older firmware versions that do not work fully interoperable with this new CI+ v1.3 TV. In this case, please contact your content provider.
- For details, refer to [eHELP] (Functions > Common Interface), read the manual of the CI module, or check with the content provider.

TV

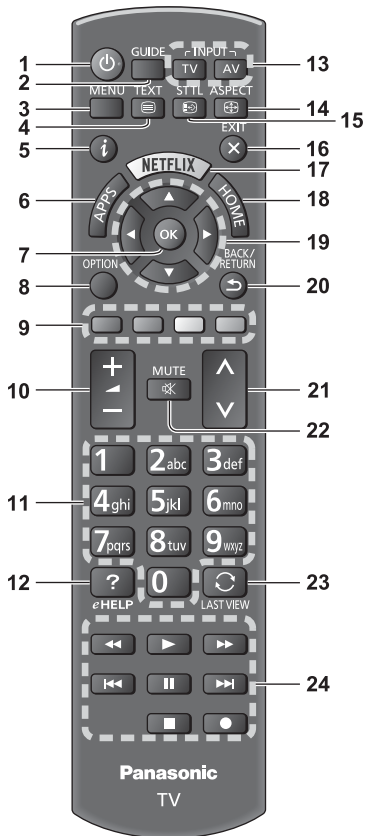


■ VIERA Link

- Use HDMI1 - 2 for VIERA Link connection.
- For details, refer to [eHELP] (Functions > VIERA Link "HDAVI Control™").

Identifying Controls

Remote Control



1 Standby On / Off switch

2 TV Guide

- Displays Electronic Programme Guide.

3 [Main Menu]

- Press to access Picture, Sound, Network, Timer, Setup and Help Menus, etc.

4 Teletext button

5 Information

- Displays channel and programme information.

6 APPS

- Displays [APPS List] (applications list).

7 OK

- Confirms selections and choices.
- Press after selecting channel positions to quickly change channel.

- Displays channel list.

8 [Option Menu]

- Easy optional setting for viewing, sound, etc.

9 Coloured buttons

(red-green-yellow-blue)

- Used for the selection, navigation and operation of various functions.

10 Volume Up / Down

11 Numeric buttons

- Changes channel and teletext pages.
- Sets characters.
- When in Standby mode, switches TV on.

12 [eHELP]

- Displays [eHELP] (Built-in Operating Instructions).

13 Input mode selection

- TV - switches to DVB-C / DVB-T / DVB-via-IP / Analogue.
- AV - switches to AV input mode from Input Selection list.

14 Aspect

- Changes aspect ratio.

15 Subtitles

- Displays subtitles.

16 Exit

- Returns to [Home Screen].

17 Netflix

- Accesses NETFLIX service directly.
- A broadband network environment is required to be able to use this function fully.
- This service may be stopped or changed without notice.

18 HOME

- Displays [Home Screen].

19 Cursor buttons

- Makes selections and adjustments.

20 Return

- Returns to the previous menu / page.

21 Channel Up / Down

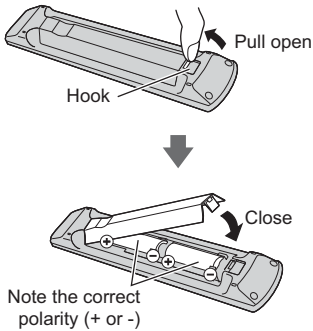
22 Sound Mute On / Off

23 Last view

- Switches to previously viewed channel or input mode.

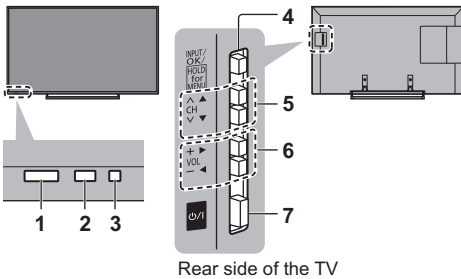
24 Operations for contents, connected equipment, etc.

■ Installing / Removing batteries



Indicator / Control panel

- When pressing 4, 5, 6 buttons, the control panel guide appears on the right side of the screen for 3 seconds to highlight which button has been pressed.



1 Remote control signal receiver

- Do not place any objects between the TV remote control signal receiver and remote control.

2 Ambient sensor

- Senses brightness to adjust picture quality when [Ambient Sensor] in the Picture Menu is set to [On].

3 Power LED

Red: Standby

Green: On

Orange: Standby with some functions (network function, etc.) active

- The LED blinks when the TV receives a command from the remote control.

4 Input mode selection

- Press repeatedly until you reach the desired mode.

[Main Menu]

- Press and hold for about 3 seconds to display main menu.

OK (when in the menu system)

5 Channel Up / Down

- Cursor Up / Down (when in the menu system)

6 Volume Up / Down

- Cursor Left / Right (when in the menu system)

7 Mains power On / Off switch

- Use to switch the mains power.

First time Auto Setup

When the TV is turned on for the first time, it will automatically search for available TV channels and give options to set up the TV.

- These steps are not necessary if the setup has been completed by your local dealer.
- Please complete connections (p. 7 - 10) and settings (if necessary) of the connected equipment before starting Auto Setup. For information about the settings for the connected equipment, read the manual of the equipment.

1 Plug the TV into a live mains socket and turn the power on



- Takes a few seconds to be displayed.



2 Select the following items

Set up each item by following the on-screen instructions.

Example:



■ How to use the remote control



Move the cursor



Access the item / store the setting

BACK/
RETURN



Return to the previous item (if available)

Select the language

Select [Home]

Select [Home] for use in a home viewing environment.

- [Shop] is for shop display.
- To change the viewing environment later on, the set will need to have all settings initialised by accessing Shipping Condition.

Set up the network connection

Select your country

- Depending on the country you select, select your Region or store the Child Lock-PIN number ("0000" cannot be stored).

Tick the TV signal mode to tune, and then select [Start Auto Setup]

: tune (search for the available channels)

: skip tuning

- Auto Setup screen varies depending on the country and the signal mode you select.
- [DVB-C Network Settings]
Normally set [Frequency] and [Network ID] to [Auto].
If [Auto] is not displayed or if necessary, enter [Frequency] and [Network ID] specified by your cable provider with numeric buttons.

3 Select the type of [Home Screen]

The demonstration to explain how to use [my Home Screen] feature is displayed. Follow the demonstration by following the on-screen instructions, and then select the desired [Home Screen].

Example: [Home Screen Selection]



Example: [TV Home Screen]



Auto Setup is now complete and the TV is ready for viewing.

If tuning has failed check the RF cable, and the network connection, and then follow the on-screen instructions.

Note

- The TV goes into Standby mode when no operation is performed for 4 hours if [Auto Standby] in the Timer Menu is set to [On].
- The TV goes into Standby mode when no signal is received and no operation is performed for 10 minutes if [No signal Power off] in the Timer Menu is set to [On].
- To retune all channels
➔ **[Auto Setup] in [Tuning Menu] (Setup Menu)**
- To add the available TV signal mode later
➔ **[Add TV Signal] in [Tuning Menu] (Setup Menu)**
- To initialise all settings
➔ **[Shipping Condition] in [System Menu] (Setup Menu)**

Operation

Turn power on

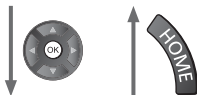
⏻/1 (TV)

or



- Mains power On / Off switch should be on. (p. 12)
The last viewed [Home Screen] is displayed.

Example: [TV Home Screen]



Example: Selected content screen



- To return to [Home Screen] at any time



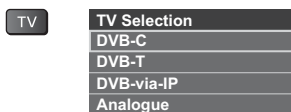
- The [Home Screen] can be set up to display desired information, to access specific features easily, to select the default [Home Screen], etc. For details, follow the on-screen instructions or refer to [eHELP] (my Home Screen > my Home Screen).

Watching TV

1 Select the TV viewer from [Home Screen]

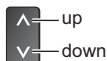


2 Select the mode



- Selectable modes vary depending on the channels stored.

3 Select a channel



or



- To select a channel position with 2 or more-digit, e.g. 399



To access each feature

Access [APPS List] and select a feature



Example: [APPS List]



- APPS is the applications (features) of the TV.
- For operations of each feature and the setup of [APPS List], follow the on-screen instructions or refer to [eHELP] (my Home Screen > APPS List).

How to Use eHELP

[eHELP] is the detailed operating instructions built into the TV, and gives a more detailed explanation for a better understanding of the operation of each feature.

1 Display [eHELP]



or



[Help]



[eHELP]

- If the [eHELP] has been accessed previously since the TV was turned on, the confirmation screen is displayed to select whether to go to the [First page] or to the [Last viewed page].

2 Select the category and item

Category field

Item field



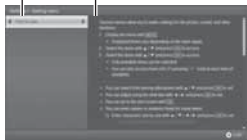
- ① select category
- ② access



- ③ select item
- ④ access

Sub item field

Description



- ⑤ select sub item
- ⑥ access

- To return to the previous field



- To scroll the description (if more than 1 page)
While the description is highlighted



- To display the menu related to the description (only for some descriptions)



(red)

FAQs

Before requesting service or assistance, please follow these simple guides to solve the problem.

- For details, refer to [eHELP] (Support > FAQs).
-

The TV does not switch on

- Check the mains lead is plugged into the TV and the mains socket.
-

The TV goes into Standby mode

- Auto power standby function is activated.
-

The remote control does not work or is intermittent

- Are the batteries installed correctly? ➔ (p. 12)
 - Has the TV been switched on?
 - The batteries may be running low. Replace them with new ones.
 - Point the remote control directly at the TV's remote control signal receiver (within about 7 m and a 30 degree angle of the signal receiver).
 - Situate the TV away from sunshine or other sources of bright light so they do not shine on the TV's remote control signal receiver.
-

No image is displayed

- Check the TV is turned on.
 - Check the mains lead is plugged into the TV and the mains socket.
 - Check the correct input mode is selected.
 - Check the setting of [AV2] ([COMPONENT] / [VIDEO]) in [Input Selection] to match the signal being output by the external equipment.
 - Is [Backlight], [Contrast], [Brightness] or [Colour] in the Picture Menu set to the minimum?
 - Check all required cables and connections are firmly in place.
-

An unusual image is displayed

- This TV has a built-in Self Test. Makes a diagnosis of picture or sound problems.
➔ [TV Self Test] (Help Menu)
 - Turn the TV off with Mains power On / Off switch, then turn it on again.
 - If the problem persists, initialise all settings.
➔ [Shipping Condition] in [System Menu] (Setup Menu)
-

Parts of the TV become hot

- Parts of the TV may become hot. These temperature rises do not pose any problems in terms of performance or quality.
-

When pushed with a finger, the display panel moves slightly and makes a noise

- There is a little gap around the panel to prevent damage to the panel. This is not a malfunction.

Maintenance

First, remove the mains plug from the mains socket.

Display panel, Cabinet, Pedestal

Regular care:

Gently wipe the surface of the display panel, cabinet, or pedestal by using a soft cloth to remove dirt or fingerprints.

For stubborn dirt:

- (1) First clean the dust from the surface.
- (2) Dampen a soft cloth with clean water or diluted neutral detergent (1 part detergent to 100 parts water).
- (3) Wring out the cloth firmly. (Please note, do not let liquid enter the TV inside as it may lead to product failure.)
- (4) Carefully wipe moisten and wipe away the stubborn dirt.
- (5) Finally, wipe away all the moisture.

Caution

- Do not use a hard cloth or rub the surface too hard, otherwise this may cause scratches on the surface.
- Take care not to subject the surfaces to insect repellent, solvent, thinner or other volatile substances. This may degrade surface quality or cause peeling of the paint.
- The surface of the display panel is specially treated and may be easily damaged. Take care not to tap or scratch the surface with your fingernail or other hard objects.
- Do not allow the cabinet and pedestal to make contact with a rubber or PVC substance for a long time. This may degrade surface quality.

Mains plug

Wipe the mains plug with a dry cloth at regular intervals. Moisture and dust may cause fire or electrical shock.

Specifications

■ TV

Model No.

40-inch model : TX-40CS520E

50-inch model : TX-50CS520E

55-inch model : TX-55CS520E

Dimensions (W × H × D)

40-inch model

904 mm × 556 mm × 230 mm (With Pedestal)

904 mm × 518 mm × 47 mm (TV only)

50-inch model

1 126 mm × 690 mm × 230 mm (With Pedestal)

1 126 mm × 652 mm × 47 mm (TV only)

55-inch model

1 242 mm × 757 mm × 230 mm (With Pedestal)

1 242 mm × 719 mm × 56 mm (TV only)

Mass

40-inch model

12.5 kg Net (With Pedestal)

10.5 kg Net (TV only)

50-inch model

17.5 kg Net (With Pedestal)

15.0 kg Net (TV only)

55-inch model

19.5 kg Net (With Pedestal)

17.5 kg Net (TV only)

Power source

AC 220-240 V, 50 / 60 Hz

Panel

LED LCD panel

Sound

Speaker output

20 W (10 W + 10 W)

Headphones

M3 (3.5 mm) stereo mini Jack × 1

Connection terminals

AV1 input / output

SCART (Audio/Video in, Audio/Video out, RGB in)

AV2 input (COMPONENT / VIDEO)

VIDEO

RCA PIN Type × 1

1.0 V[p-p] (75 Ω)

AUDIO L - R

RCA PIN Type × 2

0.5 V[rms]

Y

1.0 V[p-p] (including synchronisation)

Pb/Cb, Pr/Cr

±0.35 V[p-p]

HDMI 1 / 2 input

TYPE A Connectors

HDMI1: Content Type

HDMI2: Content Type, Audio Return Channel

- This TV supports "HDAVI Control 5" function.

Card slot

Common Interface slot (complies with CI Plus) × 1

ETHERNET

RJ45, IEEE802.3 10BASE-T / 100BASE-TX

USB

DC 5 V, Max. 500 mA [Hi-Speed USB (USB 2.0)]

DIGITAL AUDIO output

PCM / Dolby Digital, Fibre optic

Receiving systems / Band name

Check the latest information on the available services at the following website. (English only)

<http://panasonic.net/viera/support>

DVB-C

Digital cable services (MPEG2 and MPEG4-AVC(H.264))

DVB-T / T2

Digital terrestrial services (MPEG2 and MPEG4-AVC(H.264))

PAL B, G, H, I

SECAM B, G

SECAM L, L'

VHF E2 - E12

VHF A - H (ITALY)

CATV (S01 - S05)

CATV S11 - S20 (U1 - U10)

VHF H1 - H2 (ITALY)

UHF E21 - E69

CATV S1 - S10 (M1 - M10)

CATV S21 - S41 (Hyperband)

PAL D, K

SECAM D, K

VHF R1 - R2

VHF R3 - R5

VHF R6 - R12

UHF E21 - E69

PAL 525/60

Playback of NTSC tape from some PAL Video recorders (VCR)

M.NTSC

Playback from M.NTSC Video recorders (VCR)

NTSC (AV input only)

Playback from NTSC Video recorders (VCR)

Aerial input

VHF / UHF

Operating conditions

Temperature

0 °C - 35 °C

Humidity

20 % - 80 % RH (non-condensing)

Built-in wireless LAN

Standard compliance and Frequency range*

IEEE802.11a/n

5.180 GHz - 5.320 GHz, 5.500 GHz - 5.580 GHz,
5.660 GHz - 5.700 GHz

IEEE802.11b/g/n

2.412 GHz - 2.472 GHz

Security

WPA2-PSK (TKIP/AES)

WPA-PSK (TKIP/AES)

WEP (64 bit/128 bit)

*: The frequency and channel differ depending on the country.

Note

- Design and Specifications are subject to change without notice. Mass and Dimensions shown are approximate.
- For information about the power consumption, display resolution, etc., refer to Product fiche.
- For information about the open source software, refer to [eHELP] (Support > Licence).
- This equipment complies with the EMC standards listed below.

40-inch model 50-inch model

EN55013, EN61000-3-2, EN61000-3-3, EN55020,
EN55022, EN55024

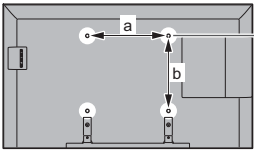
55-inch model

EN55032, EN55020, EN55024, EN61000-3-2,
EN61000-3-3

■ When using the wall-hanging bracket

Please contact your local Panasonic dealer to purchase the recommended wall-hanging bracket.

- Holes for wall-hanging bracket installation
Rear of the TV



40-inch model

a: 200 mm

b: 200 mm

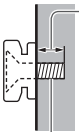
50-inch model

55-inch model

a: 400 mm

b: 400 mm

(View from the side)



Depth of screw

40-inch model

minimum: 9 mm

maximum: 27 mm

50-inch model

minimum: 9 mm

maximum: 26 mm

55-inch model

minimum: 10 mm

maximum: 16 mm

Diameter: M6

Screw for fixing the TV onto the wall-hanging bracket (not supplied with the TV)

Disposal of Old Equipment and Batteries

Only for European Union and countries with recycling systems



These symbols on the products, packaging, and/or accompanying documents mean that used electrical and electronic products and batteries must not be mixed with general household waste.

For proper treatment, recovery and recycling of old products and batteries, please take them to applicable collection points in accordance with your national legislation.

By disposing of them correctly, you will help to save valuable resources and prevent any potential negative effects on human health and the environment.

For more information about collection and recycling, please contact your local municipality.

Penalties may be applicable for incorrect disposal of this waste, in accordance with national legislation.



Note for the battery symbol (bottom symbol):

This symbol might be used in combination with a chemical symbol. In this case it complies with the requirement set by the Directive for the chemical involved.

Customer's Record

The model number and serial number of this product may be found on its rear panel. You should note this serial number in the space provided below and retain this book, plus your purchase receipt, as a permanent record of your purchase to aid in identification in the event of theft or loss, and for Warranty Service purposes.

Model Number

Serial Number

Panasonic Corporation

Web Site: <http://www.panasonic.com>

English

TQB0E2501U-1

Panasonic®

Nederlands

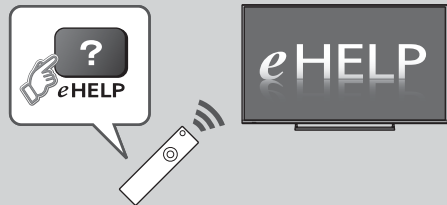
Modelnr.
TX-40CS520E
TX-50CS520E
TX-55CS520E

Gebruiksaanwijzing LCD-televisie



VIERA

Raadpleeg de [eHELP] (ingebouwde bedieningsinstructies) voor gedetailleerde instructies.



- Gebruik van de [eHELP] ➔ (p. 15)

Hartelijk dank voor de aankoop van dit Panasonic-product.

Lees deze instructies aandachtig voordat u het product gebruikt en bewaar ze zodat u ze later opnieuw kunt raadplegen.

Lees vóór gebruik aandachtig het gedeelte "Veiligheidsmaatregelen" in deze handleiding.

De afbeeldingen in deze handleiding dienen slechts als voorbeeld.

Zie uw Europese Garantie als u contact wilt opnemen met uw plaatselijke Panasonic-dealer voor assistentie.

Nederlands



- Raadpleeg de [eHELP] voor informatie over de handelsmerken (Ondersteuning > Licentie).

Inhoudsopgave

Belangrijke informatie

Belangrijke kennisgeving	3
Veiligheidsmaatregelen	3

Quick Start-handleiding

Accessoires	6
Verbindingen	7
Bedieningsonderdelen	11
Automatisch instellen bij het eerste gebruik	13

Uw VIERA-tv gebruiken

Bediening	14
Gebruik eHELP	15

Overige informatie

Veelgestelde vragen	16
Onderhoud	17
Specificaties	17

Belangrijke kennisgeving

Kennisgeving over DVB/datatransmissie/IPTV-functies

- Deze tv is ontworpen om te voldoen aan de normen (vanaf augustus 2014) voor DVB-T/T2 (MPEG2 en MPEG4-AVC(H.264)) digitale terrestrische services en DVB-C (MPEG2 en MPEG4-AVC(H.264)) digitale kabelservices.

Raadpleeg uw lokale dealer voor de beschikbaarheid van DVB-T/T2-services in uw gebied.

Raadpleeg uw kabelprovider voor de beschikbaarheid van DVB-C-services met deze tv.

- Deze tv werkt mogelijk niet correct met een signaal dat niet voldoet aan de normen van DVB-T/T2 of DVB-C.
- Afhankelijk van het land, het gebied, de zender, de serviceprovider en de netwerkomgeving zijn mogelijk niet alle functies beschikbaar.
- Niet alle CI-modules werken goed met deze tv. Raadpleeg uw serviceprovider over de beschikbare CI-module.
- Deze tv werkt wellicht niet correct met een CI-module die niet is goedgekeurd door de serviceprovider.
- Afhankelijk van de serviceprovider kunnen extra kosten worden aangerekend.
- Compatibiliteit met toekomstige services is niet gegarandeerd.
- U kunt de meest recente informatie over de beschikbare diensten op de volgende website bekijken. (alleen Engels)

<http://panasonic.net/viera/support>

Panasonic garandeert de werking en prestaties van randapparatuur van derden niet; wij wijzen elke vorm van aansprakelijkheid of schade af die voortvloeit uit de werking en/of prestaties bij gebruik van randapparatuur van dergelijke derde partijen.

Dit product is in licentie gegeven onder de AVC-patentportfoliolicentie voor persoonlijk en niet-commercieel gebruik door een consument voor (i) het coderen van video in overeenstemming met de AVC-norm ("AVC Video") en/of (ii) het decoderen van AVC-video die werd gecodeerd door een consument voor persoonlijke en niet-commerciële doeleinden en/of werd verkregen via een videoleverancier die een licentie heeft om AVC-video te leveren. Er is geen licentie verleend, ook niet impliciet, voor enig ander gebruik.

Ga voor meer informatie naar MPEG LA, LLC.

Zie <http://www.mpegla.com>.

Vervoer de TV alleen rechtop.

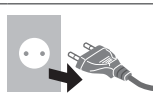
Veiligheidsmaatregelen

Volg onderstaande waarschuwingen en voorzorgsmaatregelen om het risico op een elektrische schok, brand, schade of letsel te helpen vermijden.

■ Stekker en netsnoer

Waarschuwing

Verwijder de stekker onmiddellijk uit het stopcontact als u iets opvalt dat niet normaal is.






- Deze TV is ontworpen om te werken op 220-240 V wisselstroom, 50/60 Hz.
- Steek de stekker van het netsnoer volledig in het stopcontact.
- Zorg voor een makkelijke toegang naar de stekker dat van de voedingskabel.
- Haal de stekker uit het stopcontact als u de tv reinigt.
- Raak de stekker nooit met natte handen aan. 
- Zorg ervoor dat het netsnoer niet beschadigd raakt.
 - Plaats geen zwaar voorwerp op het snoer. 
 - Leg het snoer niet in de buurt van een warm voorwerp. 
 - Trek nooit aan het snoer. Houd de stekker vast wanneer u het snoer uit het stopcontact wilt trekken. 
 - Verplaats de tv niet wanneer de stekker nog in het stopcontact zit.
 - Draai het netsnoer niet ineen, buig het niet overmatig en rek het niet uit.
 - Gebruik geen beschadigde stekkers of stopcontacten.
 - Voorkom dat het netsnoer bekneld raakt door de tv.
- Gebruik geen ander netsnoer dan het netsnoer dat u bij deze tv hebt ontvangen.

■ Voorzichtig zijn

Waarschuwing

- Verwijder niet de afdekplaten van de tv en breng geen wijzigingen aan de tv aan, anders kunt u in contact komen met onderdelen die onder spanning staan. Er zijn geen door de gebruiker reparerbare onderdelen aan de binnenkant. 

- Stel de tv niet bloot aan regen of hoge vochtigheid. De tv mag niet blootgesteld worden aan druppelend of spattend water. Plaats geen voorwerpen gevuld met vloeistof, zoals vazen, op de tv of erboven. 
- Laat geen vreemde voorwerpen in de tv komen door de ventilatiegaten.
- Gebruik geen standaard of montage-uitrusting die niet is goedgekeurd. Vraag uw Panasonic-dealer om de instellingen of installatie uit te voeren van een goedgekeurde muurbevestigingssteun.
- Oefen geen krachtige druk uit op het beeldscherm en houd het vrij van schokken.
- Zorg dat kinderen niet op de tv klimmen.
- Plaats de tv niet op een schuin afflopende of onstabiele ondergrond, en zorg ervoor dat de tv niet over de rand van de basis hangt. 
- Deze tv is ontworpen voor gebruik op een tafelblad.
- Stel de tv niet bloot aan direct zonlicht of andere warmtebronnen. 

Laat om brand te voorkomen nooit kaarsen of een andere bron van open vuur in de nabijheid van de televisie.



■ Gevaar voor verstikking/inslikken

Waarschuwing

- De verpakking van dit product kan verstikking veroorzaken, en sommige onderdelen zijn klein en gevaarlijk als ze door kinderen worden ingeslikt. Houd deze onderdelen buiten het bereik van jonge kinderen.

■ Standaard

Waarschuwing

- De vloerstandaard niet demonteren of er wijzigingen in aanbrengen.

Let op

- Gebruik alleen de standaard die u bij deze tv hebt ontvangen.
- De vloerstandaard niet gebruiken als deze verbogen, gebarsten of anderszins beschadigd is. Neem in dat geval zo spoedig mogelijk contact op met uw Panasonic dealer.
- Let er tijdens de montage op dat alle schroeven goed zijn vastgedraaid.

- Let op dat de tv geen schokken krijgt tijdens de installatie van de standaard.
- Zorg dat kinderen niet op de standaard klimmen.
- Gebruik minstens twee personen om de tv op de standaard te installeren en ervan te verwijderen.
- Installeer en verwijder de tv op de voorgeschreven wijze.

■ Radiogolven

Waarschuwing

- Gebruik de tv niet in medische instituten of op locaties met medische apparatuur. De radiogolven kunnen interfereren met medische apparatuur en kunnen storing en ongevallen veroorzaken.
- Gebruik de tv niet in de buurt van automatische controleapparatuur, zoals automatische deuren of brandalarmen. De radiogolven kunnen interfereren met automatische controleapparatuur en kunnen storing en ongevallen veroorzaken.
- Bewaar tenminste 22 cm afstand van de tv als u een hartpacemaker hebt. De radiogolven kunnen de werking van de pacemaker verstoren.
- De tv mag op geen enkele wijze worden gedemonteerd of gewijzigd.

■ Ingebouwd draadloos LAN

Let op

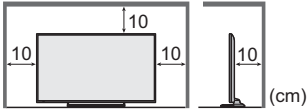
- Gebruik de ingebouwde draadloze LAN-functie niet om toegang te verkrijgen tot een draadloos netwerk (SSID*) waarvoor u geen toegangsrecht hebt. Dergelijke netwerken kunnen wel bij de zoekresultaten staan. Maar het gebruik van zulke netwerken kan illegaal zijn.
 - *De SSID is de naam van een draadloos netwerk voor gegevensoverdracht.
- Stel de ingebouwde draadloze LAN-adapter niet bloot aan hoge temperaturen, direct zonlicht of vocht.
- Gegevens die via radiogolven worden verzonden en ontvangen, kunnen worden onderschept en gevolgd.
- Het ingebouwde draadloze LAN gebruikt de frequentiebanden 2,4 GHz en 5 GHz. Houd de tv uit de buurt van andere apparaten die 2,4 GHz en 5 GHz-signalen gebruiken zoals andere draadloze LAN-apparaten, magnetrons en mobiele telefoons om storing of vertraging door interferentie te vermijden wanneer de ingebouwde draadloze LAN-adapter wordt gebruikt.
- Wanneer een probleem optreedt door statische elektriciteit e.d. kan de tv automatisch stoppen door de zelfbeveiligingsfunctie. Zet de tv in dat geval met de hoofdschakelaar uit en weer aan.
- Aanvullende informatie over het draadloze LAN en het toegangspunt kunt u vinden op de volgende website.
 - (alleen Engels)
 - <http://panasonic.net/viera/support>

■ Ventilatie

Let op

Laat voldoende ruimte vrij rond de tv zodat overtollige warmte kan worden afgevoerd; de levensduur van sommige elektronische componenten wordt verkort als ze te heet worden.

Minimale afstand:



- Zorg dat de ventilatie niet wordt belemmerd door ventilatieopeningen die zijn afgedekt door voorwerpen zoals kranten, tafelkleden en gordijnen.
- Zorg ervoor dat de ventilatieopeningen onderaan de tv altijd vrij zijn en dat er voldoende ruimte is voor goede ventilatie, ongeacht of u wel of geen standaard gebruikt.



■ De tv verplaatsen

Let op

Verwijder alle kabels voordat u de tv verplaatst.

- De tv moet door minstens twee personen verplaatst worden.

■ Wanneer de tv langere tijd niet gebruikt wordt

Let op

Ook als de tv uitgeschakeld is, verbruikt deze nog stroom zolang de stekker in het stopcontact zit.

- Trek de stekker uit het stopcontact wanneer de tv lange tijd niet wordt gebruikt.

■ Hoog geluidsniveau

Let op

- Stel uw gehoor niet bloot aan overmatig hard geluid via de hoofdtelefoon. De beschadiging kan onherstelbaar zijn.
- Zet het volume lager of stop met luisteren door de hoofdtelefoon als uw oren suizen.



■ Batterij voor de afstandsbediening

Let op

- Batterijen kunnen lekken, roesten en exploderen als ze verkeerd geïnstalleerd worden.
- Vervang de batterij alleen door hetzelfde of een vergelijkbaar type.
- Gebruik geen oude en nieuwe batterijen door elkaar.
- Gebruik geen verschillende batterijtypen door elkaar, bijvoorbeeld alkaline- en mangaanbatterijen.
- Gebruik geen oplaadbare batterijen (Ni-Cd enz.).
- Houd batterijen niet in het vuur en haal ze niet uit elkaar.

- Stel batterijen niet bloot aan extreme warmte, zoals zonlicht, vuur of dergelijke.
- Gooi gebruikte batterijen weg volgens de voorschriften voor afvalverwijdering.
- Verwijder de batterij uit het apparaat als u het gedurende langere tijd niet gaat gebruiken om lekken, corrosie en explosie van de batterij te voorkomen.

LCD-televisie



Conformiteitsverklaring (DoC)

"Panasonic Corporation verklaart hierbij dat deze tv voldoet aan de essentiële eisen en andere relevante bepalingen van de Richtlijn 1999/5/EG."

Bezoek de volgende website als u een kopie wenst van de oorspronkelijk eenvormigheidsverklaring van deze tv: <http://www.doc.panasonic.de>

Bevoegde vertegenwoordiger:

Panasonic Testing Centre

Panasonic Marketing Europe GmbH

Winsbergring 15, D-22525 Hamburg, Germany

Deze tv is bedoeld voor gebruik in de volgende landen.

Albanië, Andorra, België, Bulgarije, Cyprus, Denemarken, Estland, Finland, Frankrijk, Duitsland, Griekenland, Hongarije, Italië, IJsland, Kroatië, Letland, Liechtenstein, Litouwen, Luxemburg, Macedonië, Malta, Monaco, Montenegro, Nederland, Noorwegen, Oostenrijk, Polen, Portugal, Roemenië, Slovenië, Slowakije, Spanje, Tsjechische Republiek, Turkije, Zweden, Zwitserland

De draadloze LAN-functie van deze tv mag uitsluitend in gebouwen gebruikt worden.

Accessoires

Afstandsbediening

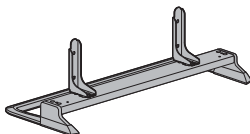
➔ (p. 11)

- N2QAYB001009



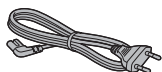
Standaard

➔ (p. 6)



Netsnoer

➔ (p. 8)



Batterijen (2)

- R6

➔ (p. 12)



Gebruiksaanwijzing

Europese Garantie

- De accessoires mogen niet allemaal samen worden geplaatst. Zorg dat u ze niet per ongeluk weggooit.
- Raadpleeg de [eHELP] voor informatie over de optionele accessoires (Ondersteuning > Optionele accessoires).

De standaard monteren/verwijderen

A Montageschroef (4)



M5 × 10

B Montageschroef (4)

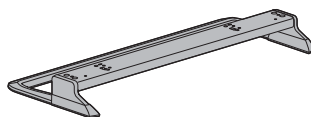


M4 × 12

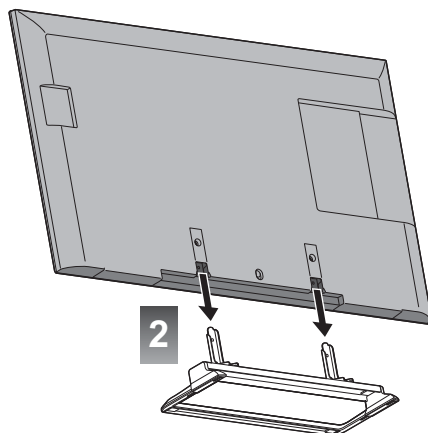
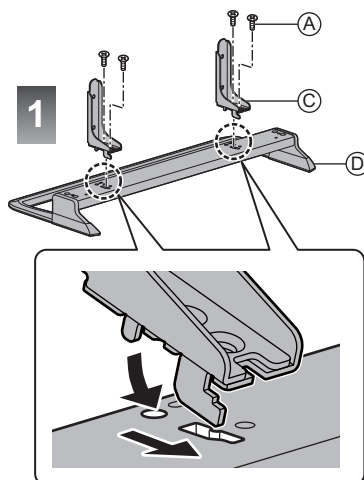
C Beugel (2)

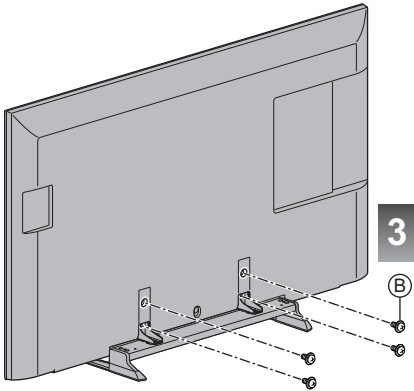


D Steunplaat



■ De standaard monteren





De standaard van de tv verwijderen

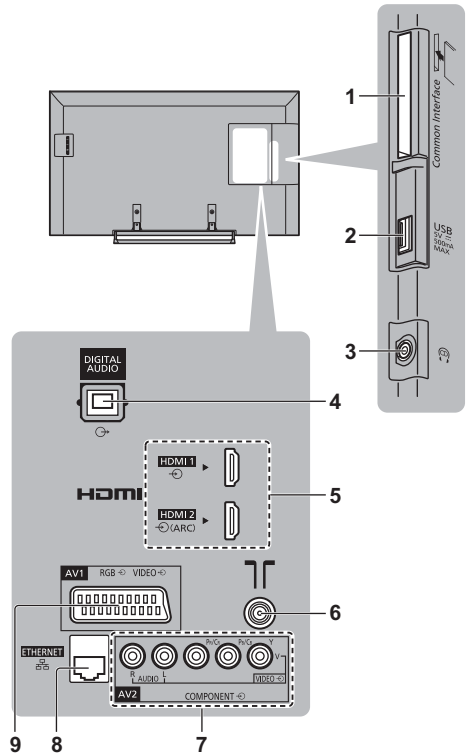
Verwijder de standaard op de volgende manier wanneer u de muurbevestigingssteun gebruikt of de tv opnieuw inpakt.

- 1 Verwijder de montageschroeven van de tv.
- 2 Trek de standaard van de tv.
- 3 Verwijder de montageschroeven van de steun.

Verbindingen

- De afgebeelde externe apparatuur en kabels worden niet bij de tv meegeleverd.
- Zorg ervoor dat de stekker van de tv niet in het stopcontact zit als u kabels aansluit of loskoppelt.
- Controleer of u de juiste aansluitingen en connectoren gebruikt voor de verbinding.
- Gebruik een HDMI-kabel met volledige bedrading.
- Gebruik een SCART-kabel met volledige bedrading.
- Houd de tv uit de buurt van elektronische apparaten (videoapparatuur enz.) of apparatuur met een infrarood sensor om vervormingen van het beeld / geluid te voorkomen en de bediening van de andere apparatuur zou ook kunnen worden beïnvloed.
- Lees ook de handleiding van het apparaat dat moet worden aangesloten.

Aansluitingen

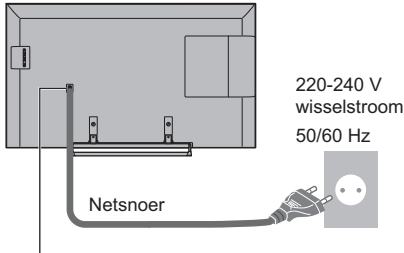


- 1 CI-sleuf ➔ (p. 10)
- 2 USB-poort
- 3 Ingang hoofdtelefoon ➔ (p. 10)
- 4 DIGITAL AUDIO
- 5 HDMI1 - 2 ➔ (p. 9)

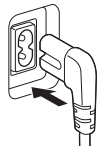
- 6 Aardse ingang/kabelingang → (p. 8)
- 7 AV2 (COMPONENT/VIDEO) → (p. 9)
- 8 ETHERNET → (p. 9)
- 9 AV1 (SCART) → (p. 8, 9)

Basisaansluitingen

■ Netsnoer

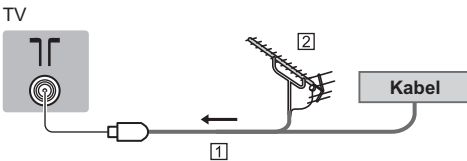


Steek de stekker van het netsnoer stevig op zijn plaats.



- Haal altijd eerst de stekker uit het stopcontact voordat u het netsnoer loskoppelt.

■ Antenne



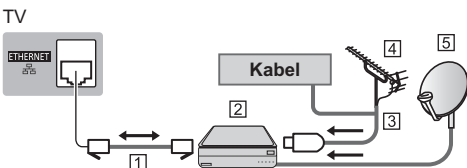
- 1 RF-kabel
- 2 Aardse antenne
 - Voor DVB-C, DVB-T, analogo

DVB-via-IP-clientverbinding

Deze tv is voorzien van een DVB-via-IP-clientfunctie en kan verbonden worden met een DVB-via-IP-server om gestreamde inhoud weer te geven.

- Het wordt aanbevolen om een LAN-kabel te gebruiken voor verbinding met een DVB-via-IP-server.

■ Bekabelde verbinding

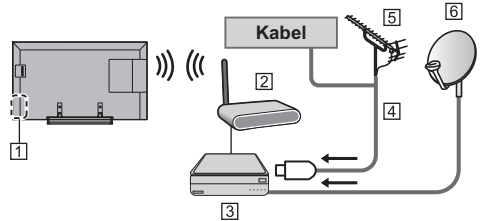


- 1 LAN-kabel (afgeschermd)

- Gebruik een afgeschermd dubbeldraadse (getwist paar, STP) LAN-kabel.

- 2 DVB-via-IP-server
- 3 RF-kabel
- 4 Aardse antenne
- 5 Satellietstschotel

■ Draadloze verbinding

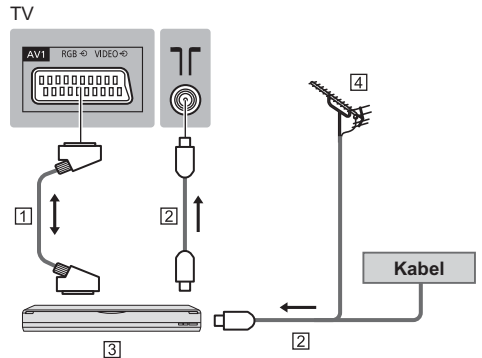


- 1 Ingebouwde draadloze LAN-adapter
- 2 Toegangspunt
- 3 DVB-via-IP-server
- 4 RF-kabel
- 5 Aardse antenne
- 6 Satellietstschotel

- Afhankelijk van de netwerkomstandigheden en uitzending is deze functie mogelijk niet beschikbaar.
- Lees de handleiding van de DVB-via-IP-server voor informatie over de verbindingen.
- Raadpleeg de [eHELP] voor details (Functies > DVB-via-IP).

AV-apparaten

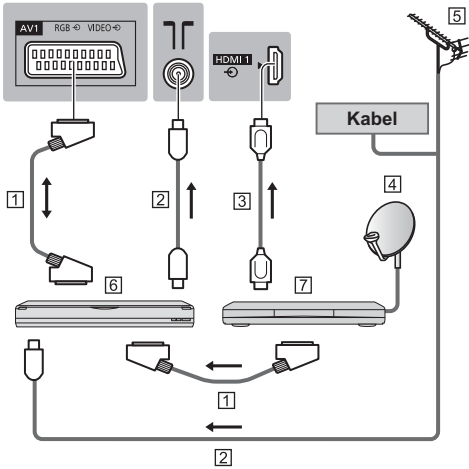
■ dvd-recorder / VCR



- 1 SCART-kabel
- 2 RF-kabel
- 3 dvd-recorder / VCR
- 4 Aardse antenne

■ dvd-recorder (VCR) / Settopbox

TV



- 1 SCART-kabel
- 2 RF-kabel
- 3 HDMI-kabel
- 4 Satellietdish
- 5 Aardse antenne
- 6 dvd-recorder / VCR
- 7 Settopbox

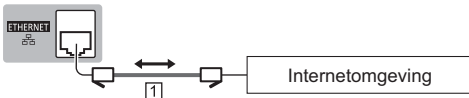
Netwerk

Voor gebruik van internetdiensten is een breedbandnetwerk vereist.

- Raadpleeg uw leverancier voor hulp als u geen breedbandnetwerkservices hebt.
- Zorg dat de internetomgeving gereed is voor het aansluiten van een bekabelde of draadloze verbinding.
- Het instellen van de netwerkverbinding start bij het eerste gebruik van de tv. ➔ (p. 13)

■ Bekabelde verbinding

TV



- 1 LAN-kabel (afgeschermd)
 - Gebruik een afgeschermd dubbelgeleidend (getwist paar, STP) LAN-kabel.

■ Draadloze verbinding



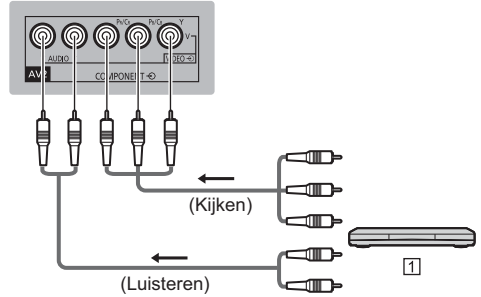
- 1 Ingebouwde draadloze LAN-adapter
- 2 Toegangspunt

Andere verbindingen

■ dvd-speler

(COMPONENT-apparatuur)

TV

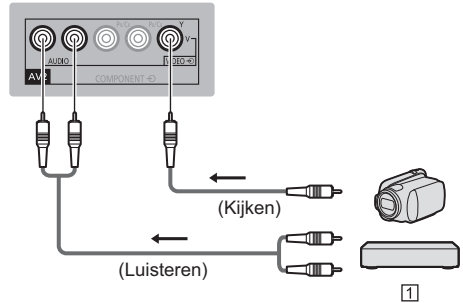


- 1 dvd-speler

■ Camcorder / Spelsysteem

(VIDEO-apparatuur)

TV

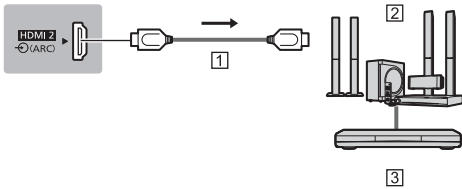


- 1 Camcorder / Spelsysteem

■ Versterker (luisteren met externe luidsprekers)

- Gebruik HDMI2 om de TV aan te sluiten op een versterker met ARC-functie (Audio Return Channel). Gebruik bij aansluiting op een versterker zonder ARC-functie DIGITAL AUDIO.
- Als u wilt genieten van meerkanaals geluid van een extern apparaat (bijvoorbeeld Dolby Digital 5.1-kanaals), sluit u het apparaat aan op de versterker. Raadpleeg de handleiding van het apparaat en de versterker voor informatie over de aansluitingen.

TV



1 HDMI-kabel

2 Versterker met luidsprekersysteem

3 Externe apparatuur (DVD-speler, enz.)

■ Hoofdtelefoon

- Het volume
 - ➔ **[Hoofdtel. Volume]** afstellen in het menu **Geluid**
- De geluidsuitgang selecteren om het volume
 - ➔ **[Luidsprekerinstelling]** af te stellen in het menu **Geluid**

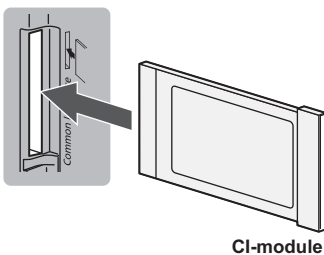
TV



■ Algemene interface (CI)

- Zet de tv altijd met de hoofdschakelaar uit wanneer u de CI-module plaatst of verwijdert.
 - Als u een gecombineerde smartcard en CI-module hebt, plaatst u eerst de CI-module en vervolgens steekt u de smartcard in de CI-module.
 - Plaats of verwijder de CI-module altijd volledig en in de aangegeven richting.
 - Gewoonlijk worden gecodeerde kanalen weergegeven. (Beschikbare kanalen en functies zijn afhankelijk van de CI-module.)
- Als de gecodeerde kanalen niet
- ➔ **[Gemeensch. interface]** in het menu **Instellingen** verschijnt
- Sommige in de handel verkrijgbare CI-modules met een oudere firmwareversie werken mogelijk niet correct met deze nieuwe tv met CI+ v1.3. Neem in dat geval contact op met uw inhoudsprovider.
 - Raadpleeg de [eHELP] (Functies > Gemeensch. interface) voor details, lees de handleiding van de CI-module of controleer met de provider van de inhoud.

TV



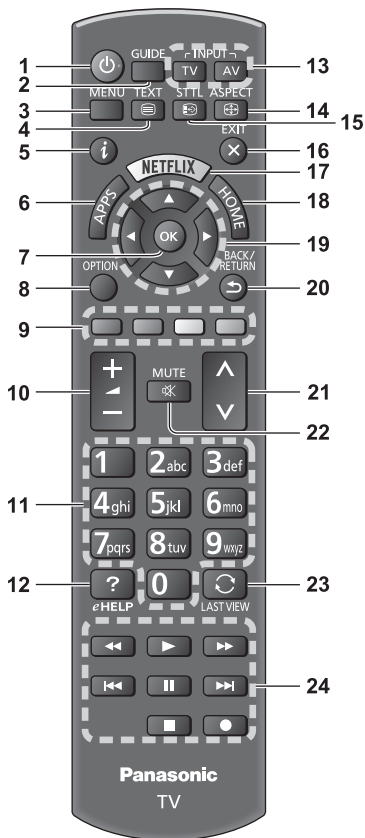
CI-module

■ VIERA Link

- Gebruik HDMI1 - 2 voor VIERA Link-verbinding.
- Raadpleeg de [eHELP] voor details (Functies > VIERA Link "HDAVI Control™").

Bedieningsonderdelen

Afstandsbediening



1 Stand-bytoets

2 Tv-programmagids

- Opent de elektronische programmagids.

3 [Hoofdmenu]

- Geeft toegang tot de menu's Beeld, Geluid, Netwerk, Timer, Instellingen, Help, enz.

4 Teletekst

5 Informatie

- Geeft kanaal- en programma-informatie weer.

6 APPS

- Geeft [APPS-lijst] weer (lijst met toepassingen).

7 OK

- Bevestigt selecties en keuzes.
- Schakelt over naar de geselecteerde kanaalpositie.
- Geeft de kanalenlijst weer.

8 [Menu Opties]

- Eenvoudige optionele instellingen voor weergave, geluid enz.

9 Gekleurde toetsen

(rood, groen, geel, blauw)

- Voor selectie, navigatie en de bediening van verschillende functies.

10 Volume omhoog/omlaag

11 Cijfertoeetsen

- Overschakelen naar een ander kanaal of een andere teletekstpagina.
- Tekst invoeren.
- De tv aanzetten vanuit stand-by.

12 [eHELP]

- De [eHELP] weergeven (ingebouwde bedieningsinstructies).

13 Selectie ingangsmodus

- TV: Overschakelen tussen DVB-C / DVB-T / DVB-via-IP / analoog.
- AV: Overschakelen naar een AV-ingangsmodus in de lijst met ingangssignalen.

14 Aspect

- Wijzigt de beeldverhouding.

15 Ondertitels

- Geeft ondertitels weer.

16 Afsluiten

- Terugkeren naar [Beginscherm].

17 Netflix

- Directe toegang tot de NETFLIX-dienst.
- Voor volledig gebruik van deze functie is een breedbandnetwerk vereist.
- Deze dienst kan zonder kennisgeving gestopt of gewijzigd worden.

18 HOME

- Opent [Beginscherm].

19 Cursortoeetsen

- Voor selecties en aanpassingen.

20 Terugkeren

- Terugkeren naar het vorige menu of de vorige pagina.

21 Kanaal omhoog/omlaag

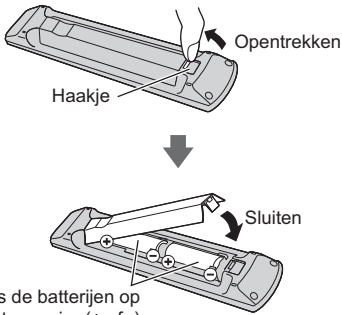
22 Geluid dempen aan/uit

23 Laatste beeld

- Schakelt terug naar het vorige kanaal of de vorige invoermodus.

24 Handelingen voor inhoud, aangesloten apparatuur, enz.

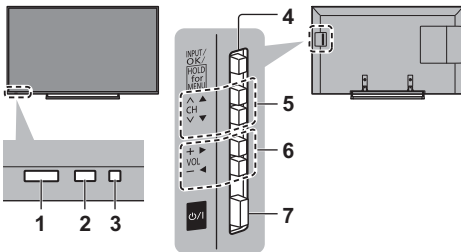
■ De batterijen plaatsen/verwijderen



Plaats de batterijen op de juiste manier (+ of -)

Indicator/Bedieningspaneel

- Als u op een van de toetsen 4, 5 of 6 drukt, wordt gedurende 3 seconden rechts op het scherm een hulpaanduiding weergegeven die aangeeft welke toets werd ingedrukt.



Achterzijde van de tv

1 Ontvanger voor afstandsbedieningssignalen

- Plaats geen voorwerpen tussen de signaalontvanger van de afstandsbediening op de tv en de afstandsbediening.

2 Sensor omgevingslicht

- Detecteert helderheid voor aanpassing van de beeldkwaliteit als [Omgevings sensor] in het menu Beeld is ingesteld op [Aan].

3 Voedingslampje

Rood: Stand-by

Groen: Aan

Oranje: Stand-by met sommige functies (netwerkfunctie, enz.) actief

- Het lampje knippert wanneer de tv een opdracht van de afstandsbediening ontvangt.

4 Selecteert de ingangsmodus

- Druk zo vaak als nodig om de gewenste stand te selecteren.

[Hoofdmenu]

- Ongeveer 3 seconden ingedrukt houden om het hoofdmenu weer te geven.

OK (in menu's)

5 Kanaal omhoog/omlaag

- Cursor omhoog/omlaag (in menu's)

6 Volume omhoog/omlaag

- Cursor naar links/rechts (in menu's)

7 Hoofdschakelaar

- Hiermee zet u de tv aan of uit.

Automatisch instellen bij het eerste gebruik

Wanneer de tv voor het eerst wordt aangezet, zoekt hij automatisch naar beschikbare tv-kanalen en verschijnen opties om de tv in te stellen.

- U mag deze stappen overslaan als uw dealer de tv al heeft ingesteld.
- Voltuit alle verbindingen (p. 7 - 10) en instellingen (indien nodig) van de externe apparatuur voordat u de automatische instelling uitvoert. Raadpleeg de handleiding van het aangesloten apparaat voor informatie over de instellingen ervan.

1 Steek de stekker van de TV in een stopcontact en zet de TV aan



- Het beeld verschijnt na enkele seconden.



2 Selecteer de volgende onderdelen

Volg bij ieder onderdeel de aanwijzingen op het scherm.

Voorbeeld:



■ De afstandsbediening gebruiken



Verplaats de cursor



Open het onderdeel/sla de instelling op



Keer terug naar het vorige onderdeel (indien beschikbaar)

Selecteer uw taal

Selecteer [Thuis]

Voor gebruik thuis selecteert u de weergaveomgeving [Thuis].

- [Winkel] is bestemd voor demonstratie in de winkel.
- Als u de weergaveomgeving later wilt wijzigen, moet u alle instellingen initialiseren via Fabrieksinstellingen.

Stel de netwerkverbinding in

Selecteer uw land

- Afhankelijk van het land dat u selecteert, stelt u de regio in of slaat u de pincode voor het kinderslot op ("0000" kan niet worden opgeslagen).

Vink het tv-signaal aan waarop u wilt afstellen en selecteer [Start auto set-up]

- : afstemmen (beschikbare kanalen zoeken)
- : afstemmen overslaan

- Het instelscherm verschilt afhankelijk van het geselecteerde land en tv-signaal.

- [DVB-C Netwerkinstellingen]

Gewoonlijk stelt u [Frequentie] en [Netwerk ID] in op [Auto].

Als [Auto] niet wordt weergegeven of indien nodig, stelt u [Frequentie] en [Netwerk ID] met de cijfertoetsen in met de gegevens van uw kabelmaatschappij.

3 Selecteer het type [Beginscherm]

Er wordt uitleg weergegeven hoe u [Mijn Beginscherm] kunt gebruiken. Volg de demonstratie door de instructies op het scherm op te volgen en selecteer vervolgens het gewenste [Beginscherm].

Voorbeeld: [Beginscherm selectie]



Voorbeeld: [TV-Beginscherm]



De automatische instelling is voltooid en de tv is klaar voor gebruik.

Als het afstemmen is mislukt, controleert u de RF-kabel en de aansluiting van het netwerk, en volgt u de aanwijzingen op het scherm.

Opmerking

- De tv schakelt over naar stand-by wanneer het toestel niet wordt bediend gedurende 4 uur als [Automatisch in Stand-by] in het menu Timer is ingesteld op [Aan].
- De tv schakelt over naar stand-by wanneer geen signaal wordt ontvangen en het toestel niet wordt bediend gedurende 10 minuten als [Automatisch uitschakelen] in het menu Timer is ingesteld op [Aan].

- Alle kanalen opnieuw afstemmen
 - ➔ **[Auto set-up]** in **[Afstemmenu]** (menu **Instellingen**)
- Een beschikbaar tv-signaal later toevoegen
 - ➔ **[Voeg TV-signaal toe]** in **[Afstemmenu]** (menu **Instellingen**)
- Alle instellingen terugzetten naar de beginstand
 - ➔ **[Fabrieksinstellingen]** in **[Systeemmenu]** (menu **Instellingen**)

Bediening

Schakel de tv in

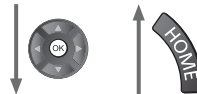
Ⓟ/TV (TV)

of

 (Afstandsbediening)

- De hoofdschakelaar moet aan staan. (p. 12)
Het laatst bekeken [Beginscherm] wordt weergegeven.

Voorbeeld: [TV-Beginscherm]



Voorbeeld: Scherm met geselecteerde inhoud



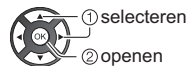
- Op eender welk moment terugkeren naar [Beginscherm]



- Het [Beginscherm] kan worden ingesteld om interessante informatie weer te geven, gemakkelijk bepaalde functies te openen, het standaard [Beginscherm] te selecteren, enz. Volg voor details de aanwijzingen op het scherm of raadpleeg de [eHELP] (Mijn Beginscherm > Mijn Beginscherm).

Tv kijken

1 Selecteer de tv-weergave in [Beginscherm]

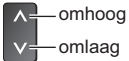


2 Selecteer de stand



- De selecteerbare standen zijn afhankelijk van de opgeslagen kanalen.

3 Selecteer een kanaal



of



- Een kanaal selecteren dat uit twee of meer cijfers bestaat, bijvoorbeeld 399



Toegang tot de functies

Open [APPS-lijst] en selecteer de gewenste functie



Voorbeeld: [APPS-lijst]



- APPS staat voor de toepassingen (functies) van de tv.
- Voor de bediening van de verschillende functies en de instelling van [APPS-lijst] volgt u de aanwijzingen op het scherm of raadpleegt u de [eHELP] (Mijn Beginscherm > APPS-lijst).

Gebruik eHELP

[eHELP] is de naam van de gedetailleerde, ingebouwde bedieningsinstructies van de tv. Hier vindt u gedetailleerde uitleg over de bediening van de verschillende functies.

1 Geef [eHELP] weer



of



[Help]



[eHELP]

- Als de [eHELP] eerder is gebruikt sinds de tv werd aangezet, verschijnt een bevestigingsscherm om te selecteren of u naar de [Eerste pagina] wilt gaan of naar de [Laatst bekeken pagina].

2 Selecteer de categorie en het onderdeel

Categorie

Onderdeel



- 1 categorie selecteren
- 2 openen



- 3 onderdeel selecteren
- 4 openen



Subonderdeel

Beschrijving



- 5 subonderdeel selecteren
- 6 openen

- Terug naar het vorige niveau



- De beschrijving scrollen (indien langer dan één pagina)

Wanneer de beschrijving wordt gemarkeerd



- Het menu bij de beschrijving weergeven (alleen bij bepaalde beschrijvingen)



Veelgestelde vragen

Probeer eerst het probleem op te lossen aan de hand van de volgende eenvoudige richtlijnen voordat u hulp inroept.

- Raadpleeg de [eHELP] voor details (Ondersteuning > Veelgestelde vragen).
-

De tv gaat niet aan

- Controleer of de stekker van het netsnoer in de tv en in het stopcontact zit.
-

De tv schakelt over naar de stand-bystand

- De automatische stand-byfunctie is geactiveerd.
-

De afstandsbediening werkt niet of slechts af en toe

- Zijn de batterijen op de juiste manier in de afstandsbediening geplaatst? ➔ (p. 12)
 - Is de tv ingeschakeld?
 - De batterijen zijn wellicht leeg. Vervang deze door nieuwe.
 - Wijs met de afstandsbediening recht naar de signaalontvanger van de afstandsbediening op de tv (binnen ongeveer 7 m afstand en een hoek van 30 graden van de ontvanger).
 - Zorg ervoor dat de signaalontvanger van de afstandsbediening op de tv niet is blootgesteld aan zonlicht of ander fel licht.
-

Er wordt geen beeld weergegeven

- Controleer of de tv aan staat.
 - Controleer of de stekker van het netsnoer in de tv en in het stopcontact zit.
 - Controleer of de juiste ingangsmodus is geselecteerd.
 - Controleer of de instelling van [AV2] ([COMPONENT] / [VIDEO]) in [Ingangssignaal kiezen] overeenkomt met het signaal van het externe apparaat.
 - Is [Achtergrondlicht], [Kontrast], [Helderheid] of [Kleur] in het menu Beeld ingesteld op de minimale waarde?
 - Controleer of alle vereiste kabels goed zijn aangesloten.
-

Er wordt abnormaal beeld weergegeven

- De tv heeft een ingebouwde zelftestfunctie. Stel een diagnose van beeld- of geluidsproblemen.
➔ **[TV Zelfscan Test] (Help-menu)**
 - Zet de tv uit en weer aan met de hoofdschakelaar.
 - Als het probleem zich blijft voordoen, initialiseert u alle instellingen.
➔ **[Fabrieksinstellingen] in [Systeemmenu] (menu Instellingen)**
-

Onderdelen van de tv worden warm

- Onderdelen van de tv kunnen heet worden. Deze temperatuurverhoging vormt geen probleem voor de prestaties en de kwaliteit.
-

Als u met uw vinger op het beeldscherm drukt, beweegt hij een beetje en maakt hij geluid.

- Er is een beetje ruimte rond het paneel om schade eraan te voorkomen. Dit is normaal.

Onderhoud

Verwijder eerst de stekker van het netsnoer uit het stopcontact.

Beeldscherm, Behuizing, Standaard

Regelmatig onderhoud:

Veeg de buitenkant van het beeldscherm, de behuizing of de standaard voorzichtig af met een zachte doek om vuil of vingerafdrukken te verwijderen.

Voor hardnekkig vuil:

- (1) Verwijder eerst het stof van de buitenkant.
- (2) Bevochtig een zachte doek met schoon water of een opgelost neutraal schoonmaakproduct (1 deel schoonmaakproduct op 100 delen water).
- (3) Wring de doek goed uit. (Laat geen vloeistof in de tv komen omdat hij daardoor defect kan raken.)
- (4) Veeg hardnekkig vuil weg met een vochtige doek.
- (5) Droog vervolgens al het vocht af.

Let op

- Gebruik geen harde of ruwe doek en wrijf niet hard op het oppervlak omdat u daardoor krassen kunt maken.
- Zorg dat er geen insecticiden, oplosmiddelen, verdunners of andere vluchtige stoffen met de tv in aanraking komen. Hierdoor kan de kwaliteit van het oppervlak afnemen of kan de verf afbladderen.
- Het scherm is behandeld en voorzien van een gevoelige oppervlaktelaag. Tik en kras niet op het oppervlak met uw vingernagel of een hard voorwerp.
- Zorg dat de behuizing en de standaard niet gedurende langere tijd in contact zijn met rubber of pvc. Hierdoor kan de kwaliteit van het oppervlak afnemen.

Netsnoerstekker

Maak de netsnoerstekker regelmatig schoon met een droge doek. Vocht en stof kunnen brand of een elektrische schok veroorzaken.

Specificaties

■ TV

Modelnr.

40 inch-model : TX-40CS520E

50 inch-model : TX-50CS520E

55 inch-model : TX-55CS520E

Afmetingen (B × H × D)

40 inch-model

904 mm × 556 mm × 230 mm (met standaard)

904 mm × 518 mm × 47 mm (alleen TV)

50 inch-model

1 126 mm × 690 mm × 230 mm (met standaard)

1 126 mm × 652 mm × 47 mm (alleen TV)

55 inch-model

1 242 mm × 757 mm × 230 mm (met standaard)

1 242 mm × 719 mm × 56 mm (alleen TV)

Gewicht

40 inch-model

12,5 kg netto (met standaard)

10,5 kg netto (alleen TV)

50 inch-model

17,5 kg netto (met standaard)

15,0 kg netto (alleen TV)

55 inch-model

19,5 kg netto (met standaard)

17,5 kg netto (alleen TV)

Stroomvoorziening

220-240 V wisselstroom, 50/60 Hz

Paneel

Led-lcd-paneel

Geluid

Uitgang luidspreker

20 W (10 W + 10 W)

Hoofdtelefoon

3,5-mm M3-stereoministekker × 1

Aansluitingen

AV1-ingang/uitgang

SCART (audio/video in, audio/video out, RGB in)

AV2-ingang (COMPONENT/VIDEO)

VIDEO

RCA PIN-type × 1

1,0 V[p-p] (75 Ω)

AUDIO L - R

RCA PIN-type × 2

0,5 V[rms]

Y

1,0 V[p-p] (inclusief synchronisatie)

Pb/Cb, Pr/Cr

±0,35 V[p-p]

HDMI 1 / 2

TYPE A-aansluitingen

HDMI1: Content-type

HDMI2: Content-type, Audio Return Channel

- De tv ondersteunt "HDAVI Control 5"-functionaliteit.

Kaartsleuf

CI-sleuf (conform CI Plus) × 1

ETHERNET

RJ45, IEEE802.3 10BASE-T / 100BASE-TX

USB

DC 5 V, Max. 500 mA [Hi-Speed USB (USB 2.0)]

DIGITAL AUDIO-uitgang

PCM / Dolby Digital, optische vezel

Ontvangstsystemen / Bandnaam

U kunt de meest recente informatie over de beschikbare diensten op de volgende website bekijken. (alleen Engels)

<http://panasonic.net/viera/support>

DVB-C

Digitale kabelservices (MPEG2 en MPEG4-AVC(H.264))

DVB-T / T2

Digitale aardse services (MPEG2 en MPEG4-AVC(H.264))

PAL B, G, H, I

SECAM B, G

SECAM L, L'

VHF E2 - E12

VHF A - H (ITALIË)

CATV (S01 - S05)

CATV S11 - S20 (U1 - U10)

VHF H1 - H2 (ITALIË)

UHF E21 - E69

CATV S1 - S10 (M1 - M10)

CATV S21 - S41 (Hyperband)

PAL D, K

SECAM D, K

VHF R1 - R2

VHF R3 - R5

VHF R6 - R12

UHF E21 - E69

PAL 525/60

NTSC-tapes afspelen via sommige PAL-videorecorders (VCR)

M.NTSC

Afspelen via M.NTSC-videorecorders (VCR)

NTSC (alleen AV-ingang)

Afspelen via NTSC-videorecorders (VCR)

Antenne-ingang

VHF / UHF

Bedrijfscondities

Temperatuur

0 °C - 35 °C

Vochtigheid

20 % - 80 % RV (niet-condenserend)

Ingebouwd draadloos LAN

Standaardcompliantie en frequentiebereik*

IEEE802.11a/n

5,180 GHz - 5,320 GHz, 5,500 GHz - 5,580 GHz,
5,660 GHz - 5,700 GHz

IEEE802.11b/g/n

2,412 GHz - 2,472 GHz

Beveiliging

WPA2-PSK (TKIP/AES)

WPA-PSK (TKIP/AES)

WEP (64 bit/128 bit)

*: Frequenties en kanalen verschillen naargelang het land.

Opmerking

- Ontwerp en specificaties kunnen zonder voorafgaande kennisgeving worden gewijzigd. Gewicht en afmetingen bij benadering.
- Raadpleeg de productfiche voor informatie over het energieverbruik, de schermresolutie, enz.
- Raadpleeg de [eHELP] voor informatie over de openbronsoftware (Ondersteuning > Licentie).
- Dit apparaat voldoet aan de volgende EMC-normen.

40 inch-model 50 inch-model

EN55013, EN61000-3-2, EN61000-3-3, EN55020,
EN55022, EN55024

55 inch-model

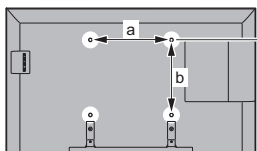
EN55032, EN55020, EN55024, EN61000-3-2,
EN61000-3-3

■ Bij gebruik van de muurbevestigingssteun

Neemt contact op met uw plaatselijke Panasonic-dealer als u de aanbevolen muurbevestigingssteun wilt aanschaffen.

- Gaten voor installatie met de muurbevestigingssteun

Achterzijde van de tv



40 inch-model

a: 200 mm

b: 200 mm

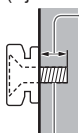
50 inch-model

55 inch-model

a: 400 mm

b: 400 mm

(zijaanzicht)



Diepte schroef

40 inch-model

minimaal: 9 mm

maximaal: 27 mm

50 inch-model

minimaal: 9 mm

maximaal: 26 mm

55 inch-model

minimaal: 10 mm

maximaal: 16 mm

Diameter: M6

Schroef voor het bevestigen van de tv op de muurbevestigingssteun (niet meegeleverd met de tv)

Het ontdoen van oude apparatuur en batterijen.

Enkel voor de Europese Unie en landen met recycle systemen.



Deze symbolen op de producten, verpakkingen en/of begeleidende documenten betekenen dat gebruikte elektrische en elektronische producten en batterijen niet samen mogen worden weggegooid met de rest van het huishoudelijk afval.

Voor een juiste verwerking, hergebruik en recycling van oude producten en batterijen, gelieve deze in te leveren bij de desbetreffende inleverpunten in overeenstemming met uw nationale wetgeving.

Door ze op de juiste wijze weg te gooien, helpt u mee met het besparen van kostbare hulpbronnen en voorkomt u potentiële negatieve effecten op de volksgezondheid en het milieu.

Voor meer informatie over inzameling en recycling kunt u contact opnemen met uw plaatselijke gemeente.

Afhankelijk van uw nationale wetgeving kunnen er boetes worden opgelegd bij het onjuist weggooien van dit soort afval.



Let op: het batterij symbool (Onderstaand symbool):

Dit symbool kan in combinatie met een chemisch symbool gebruikt worden. In dit geval volstaan de eisen, die zijn vastgesteld in de richtlijnen van de desbetreffende chemische stof.

In te vullen door de eigenaar

Het modelnummer en het serienummer van dit product kunt u vinden op het achterpaneel. Noteer dit serienummer in de hiervoor bestemde ruimte hieronder en bewaar deze handleiding plus uw bewijs van aankoop als een permanent bewijs van uw aankoop als hulp bij identificatie in het geval van diefstal of verlies, alsmede bij aanspraak op de garantie-/serviceverlening.

Modelnummer

Serienummer

Panasonic Corporation
Web Site: <http://www.panasonic.com>

Nederlands
TQB0E2501B-1

Panasonic®

Română

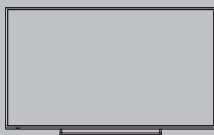
Model nr.

TX-40CS520E

TX-50CS520E

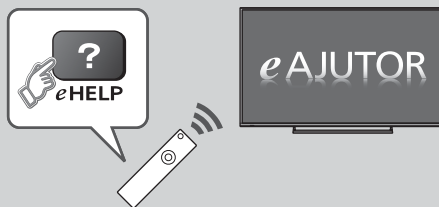
TX-55CS520E

Manual de utilizare Televizor cu ecran LCD



VIERA

Pentru instrucțiuni mai detaliate, vă rugăm să consultați [eAJUTOR] (Instrucțiunile de utilizare integrate).



- Mod de utilizare a sistemului [eAJUTOR] → (p. 15)

Vă mulțumim că ați cumpărat acest produs Panasonic.

Vă rugăm să citiți aceste instrucțiuni cu atenție înainte de a folosi aparatul și să le păstrați pentru consultări ulterioare.

Înainte de utilizare, vă rugăm să citiți cu atenție „Măsurile de precauție” din acest manual.

Imaginile prezentate în acest manual au doar scop ilustrativ.

Vă rugăm să consultați Garanția Pan-Europeană dacă doriți să luați legătura cu reprezentantul local Panasonic pentru a solicita asistență.

Română



- Pentru informații privind mărcile comerciale, consultați [eAJUTOR] (Asistență > Licență).

Cuprins

Citiți

Notă importantă	3
Măsuri de siguranță	3

Instalarea rapidă

Accesorii	6
Conexiuni	7
Identificarea elementelor de comandă	11
Setare automată inițială	13

Utilizarea televizorului dvs. VIERA

Operații	14
Modul de utilizare eAJUTOR	15

Altele

Întrebări frecvente	16
Întreținere	17
Date tehnice	17

Notă importantă

Referitor la funcțiile DVB/transmisie de date/IPTV

- Acest televizor este conceput pentru a corespunde standardelor (începând cu august 2014) pentru servicii digitale terestre DVB-T/T2 (MPEG2 și MPEG4-AVC(H.264)), servicii digitale prin cablu DVB-C (MPEG2 și MPEG4-AVC(H.264)). Consultați distribuitorul local pentru disponibilitatea serviciilor DVB-T/T2 în zona dumneavoastră. Consultați furnizorul de servicii prin cablu pentru disponibilitatea serviciilor DVB-C pentru acest televizor.
- Este posibil ca acest televizor să nu opereze corect cu semnal care nu îndeplinește standardele DVB-T/T2 sau DVB-C.
- Nu toate funcțiile sunt disponibile, acest lucru depinzând de țară, zonă, emițător, furnizor de servicii și mediul de rețea.
- Nu toate modulele CI funcționează corect cu acest televizor. Consultați furnizorul de servicii privind disponibilitatea modului CI.
- Acest televizor nu va funcționa întotdeauna corect cu un modul CI care nu este aprobat de furnizorul de servicii.
- Taxe suplimentare pot fi impuse în funcție de furnizorul de servicii.
- Nu este garantată compatibilitatea cu servicii viitoare.
- Consultați ultimele informații privind serviciile disponibile pe următorul site web. (Doar în limba engleză)

<http://panasonic.net/viera/support>

Panasonic nu garantează operarea și performanțele dispozitivelor periferice de la alți producători; și ne derogăm orice responsabilitate pentru daune care apar din operarea și/sau performanțele de utilizare a unor astfel de dispozitive periferice de la alți producători.

Acest produs este licențiat sub licența portofoliului de patente AVC pentru uzul personal și necomercial al unui consumator (i) pentru a decoda fișiere video în conformitate cu standardul AVC („AVC Video”) și/sau (ii) pentru a decoda fișiere video AVC care au fost codate de către un consumator angajat într-o activitate personală sau necomercială și/sau care au fost obținute de la un distribuitor video licențiat pentru a oferi fișiere video AVC. Niciun fel de licență nu este acordată sau presupusă pentru o altă utilizare.

Informații suplimentare pot fi obținute de la MPEG LA, LLC.

A se vedea <http://www.mpegla.com>.

Transportați aparatul numai în poziție verticală.

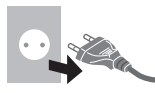
Măsurile de siguranță

Pentru a contribui la evitarea pericolelor de electrocutare, incendii, deteriorări sau vătămări corporale, vă rugăm să urmați avertismentele și atenționările de mai jos:

■ Ștecărul și cablul de alimentare

Avertisment

În cazul în care constatați orice aspect neobișnuit, scoateți imediat ștecărul din priză.



- Acest TV este proiectat pentru a opera cu o tensiune de 220-240 V, 50 / 60 Hz.
- Introduceți ștecărul complet în priză.
- Asigurați acces ușor la ștecăr.
- Deconectați ștecărul când curățați televizorul.
- Nu atingeți ștecărul dacă aveți mâinile ude.



- Nu distrugeți cablul de alimentare.

• Nu amplasați un obiect greu pe cablu.



• Nu amplasați cablul în apropierea unui obiect aflat la temperaturi ridicate.



• Nu trageți de cablul de alimentare. Când doriți să deconectați ștecărul de la rețeaua de curent, apucați de ștecăr, nu de cablu.






- Nu mutați televizorul cât timp cablul este conectat la o priză.
- Nu răsuciți cablul, nu îl îndoiți prea tare și nu îl întindeți.
- Nu folosiți ștecărul sau priză dacă acestea sunt defecte.
- Asigurați-vă că televizorul nu apasă pe cablul de alimentare.
- Nu folosiți alte cabluri de alimentare decât cele furnizate cu acest televizor.

■ Aveți grijă

Avertisment

- Nu scoateți capacele și nu modificați niciodată personal televizorul, deoarece, la scoaterea capacelor, vor fi accesibile componente aflate sub tensiune. În interior nu se află componente reparabile de către proprietarul televizorului.



- Nu expuneți televizorul la ploaie sau umiditate excesivă. Nu amplasați deasupra aparatului vase cu lichid, ca de ex. vase și nu expuneți televizorul picăturilor sau stropirilor cu apă. 
- Nu introduceți obiecte străine în televizor prin orificiile de ventilație.
- Nu utilizați un piedestal/echipament de montare neaprobat. Rugați distribuitorul Panasonic local să efectueze setarea sau instalarea suporturilor aprobate pentru suspendare pe perete.
- Nu expuneți panoul de afișare la forțe de apăsare sau de impact puternice.
- Nu permiteți copiilor să se urce pe televizor.
- Nu așezați televizorul pe suprafețe înclinate sau instabile și asigurați-vă că nicio parte a televizorului nu este suspendată peste marginea bazei. 
- Acest televizor este proiectat pentru utilizarea pe masă.
- Nu expuneți televizorul la lumina directă a soarelui și la alte surse de căldură. 

Pentru a preveni propagarea focului, păstrați întotdeauna la distanță de acest produs lumânările sau alte flăcări deschise



■ Pericol de sufocare / înecare

Avertisment

- Ambalajul acestui produs poate cauza sufocare, iar unele componente sunt mici și pot reprezenta un pericol de înecare pentru copiii mici. Nu lăsați aceste componente la îndemâna copiilor mici.

■ Piedestal

Avertisment

- Nu dezasaamblați și nu modificați piedestalul.

Atenție

- Nu folosiți niciun alt piedestal în afara celui furnizat cu acest televizor.
- Nu folosiți piedestalul dacă se deformează sau dacă prezintă deteriorări. În acest caz, luați legătura imediat cu cel mai apropiat distribuitor Panasonic.
- În timpul instalării, asigurați-vă că toate șuruburile sunt bine strânse.
- Asigurați-vă că televizorul nu este supus la impacturi în timpul instalării piedestalului.

- Nu permiteți copiilor să escaladeze piedestalul.
- Instalați sau demontați televizorul de pe piedestal cu ajutorul a cel puțin două persoane.
- Instalați sau dezinstalați televizorul utilizând procedura specificată.

■ Unde radio

Avertisment

- Nu utilizați televizorul în instituții medicale sau în locații cu echipamente medicale. Undele radio pot interfera cu echipamentele medicale și pot cauza accidente din cauza funcționării defectuoase.
- Nu utilizați televizorul în apropierea echipamentelor cu comandă automată, precum ușile automate sau alarmele de incendii. Undele radio pot interfera cu echipamentele cu comandă automată și pot cauza accidente din cauza funcționării defectuoase.
- Păstrați o distanță de minimum 22 cm față de televizor dacă aveți un stimulator cardiac. Undele radio pot afecta funcționarea stimulatorului cardiac.
- Nu dezasaamblați și nu modificați televizorul sub nicio formă.

■ LAN wireless integrat

Atenție

- Nu utilizați componenta LAN wireless integrată în scopul conectării la rețele wireless (SSID*) pentru care nu aveți drepturi de utilizare. Astfel de rețele pot fi listate ca rezultate ale căutărilor. Totuși, utilizarea acestora poate fi considerată drept acces ilegal.

*SSID este o denumire pentru identificarea unei anumite rețele wireless pentru transmisie.
- Nu expuneți componenta LAN wireless integrată la temperaturi ridicate, lumina directă a soarelui sau umezeală.
- Datele transmise și recepționate prin unde radio pot fi interceptate și monitorizate.
- Componenta LAN wireless integrată utilizează benzi de frecvență la 2,4 GHz și 5 GHz. Pentru a evita funcționarea defectuoasă sau răspunsul lent cauzate de interferențele undelor radio la utilizarea rețelei LAN wireless integrate, păstrați distanța între televizor și alte dispozitive care utilizează semnale de 2,4 GHz și 5 GHz, precum alte dispozitive cu rețea LAN wireless, cuptoare cu microunde și telefoane mobile.
- Când apar probleme din cauza electricității statice etc., acest televizor se poate opri automat pentru auto-protecție. În acest caz, opriți televizorul de la butonul de pornire/oprire a alimentării, apoi porniți-l din nou.
- Informații suplimentare privind rețeaua LAN wireless și punctul de acces pot fi găsite pe site-ul Web următor.

(Doar în limba engleză)

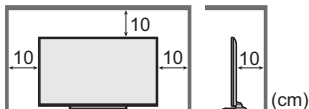
<http://panasonic.net/viera/support>

■ Ventilație

Atenție

Lăsați un spațiu suficient în jurul televizorului pentru a preveni încălzirea excesivă, care poate duce la defectarea prematură a unor componente electronice.

Distanță minimă:



- Ventilația nu trebuie împiedicată prin acoperirea fanțelor pentru ventilație cu obiecte precum ziare, fețe de masă sau perdele.
- Indiferent dacă utilizați sau nu un piedestal, asigurați-vă întotdeauna că fanțele de la baza televizorului nu sunt blocate și că există suficient spațiu pentru a permite o ventilație adecvată.



■ Mutarea televizorului

Atenție

Înainte de a muta televizorul, deconectați toate cablurile.

- Muțați televizorul cu ajutorul a cel puțin două persoane.

■ Când televizorul nu este utilizat un timp îndelungat

Atenție

Acest televizor consumă puțin curent chiar și atunci când este oprit, atâta timp cât ștecărul este conectat la o priză aflată sub tensiune.

- Scoateți fișa cablului de alimentare din priză de perete când televizorul nu este utilizat pentru o perioadă îndelungată.

■ Volum excesiv

Atenție

- Nu vă expuneți auzul unui volum excesiv de la căști. Auzul dumneavoastră poate fi afectat ireversibil.
- Dacă auziți un huirot în urechi, reduceți volumul sau opriți-l temporar, cu ajutorul căștilor.



■ Baterie pentru telecomandă

Atenție

- Montarea incorectă poate duce la curgerea, coroziunea și explozia bateriilor.
- Înlocuiți numai cu o baterie de același tip sau cu un tip echivalent.
- Nu amestecați baterii vechi cu baterii noi.
- Nu amestecați diferite tipuri de baterii (ca de exemplu baterii alcaline cu baterii pe bază de mangan).
- Nu folosiți baterii reincărcabile (Ni-Cd etc.).
- Nu aruncați bateriile în foc și nu le desfaceți.
- Nu expuneți bateriile la căldură excesivă, de exemplu la soare, flacăra sau alte surse similare.

- Asigurați-vă că eliminați bateriile la deșeurile în mod corespunzător.
- Scoateți bateria din aparat atunci când nu îl utilizați pentru o perioadă prelungită de timp, pentru a evita scurgerile de lichid din baterii, corodarea și exploziile.

Televizor cu ecran LCD



Declarație de conformitate (DoC)

„Prin prezenta, societatea Panasonic Corporation declară că acest televizor este conform cu cerințele esențiale și cu alte norme corespunzătoare Directivei 1999/5/CE.”

Dacă doriți să obțineți o copie a declarației originale de conformitate a acestui televizor, vă rugăm să vizitați următoarea pagină web:

<http://www.doc.panasonic.de>

Reprezentant autorizat:

Panasonic Testing Centre

Panasonic Marketing Europe GmbH

Winsbergring 15, D-22525 Hamburg, Germania

Acest televizor a fost proiectat pentru a fi utilizat în următoarele țări:

Albania, Andorra, Austria, Belgia, Bulgaria, Croația, Cipru, Republica Cehă, Danemarca, Estonia, Finlanda, Franța, Germania, Grecia, Ungaria, Italia, Islanda, Letonia, Liechtenstein, Lituania, Luxemburg, Malta, Monaco, Muntenegru, Olanda, Norvegia, Polonia, Portugalia, România, Slovacia, Slovenia, Spania, Suedia, Elveția, Turcia, Macedonia

Funcția LAN wireless a acestui televizor trebuie să fie folosită numai în interiorul clădirilor.

Accesorii

Telecomandă

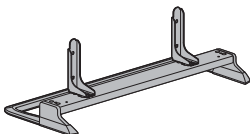
➔ (p. 11)

- N2QAYB001009



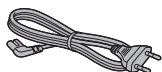
Piedestal

➔ (p. 6)



Cablu de alimentare

➔ (p. 8)



Baterii (2)

- R6

➔ (p. 12)



Manual de utilizare

Garanția Pan-Europeană

- Accesoriile nu vor fi amplasate toate în același loc. Asigurați-vă că nu le aruncați din neatenție.
- Pentru informații privind accesoriile opționale, consultați [eAJUTOR] (Asistență > Accesorii opționale).

Asamblarea / demontarea pedestalului

A) Șurub de asamblare (4)



M5 × 10

B) Șurub de asamblare (4)

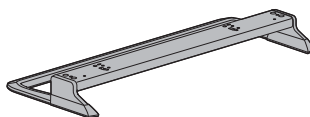


M4 × 12

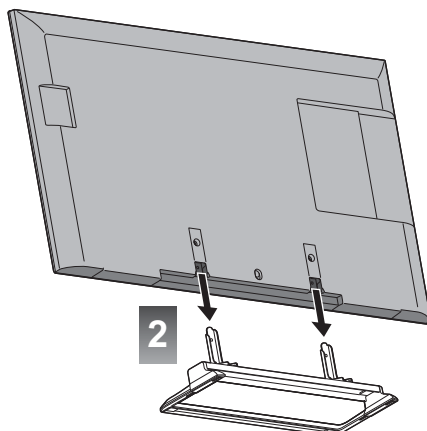
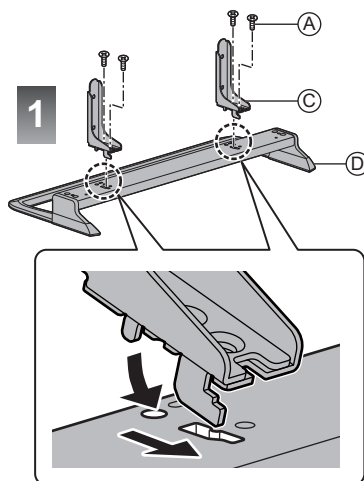
C) Suport (2)

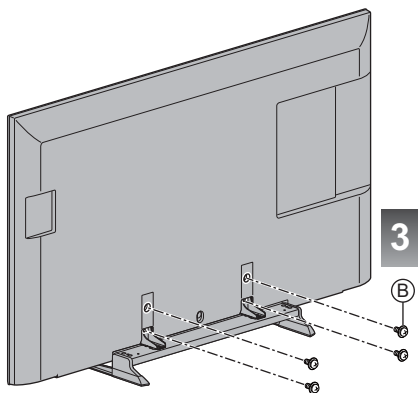


D) Bază



■ Asamblarea pedestalului





Demontarea piedestalului de la televizor

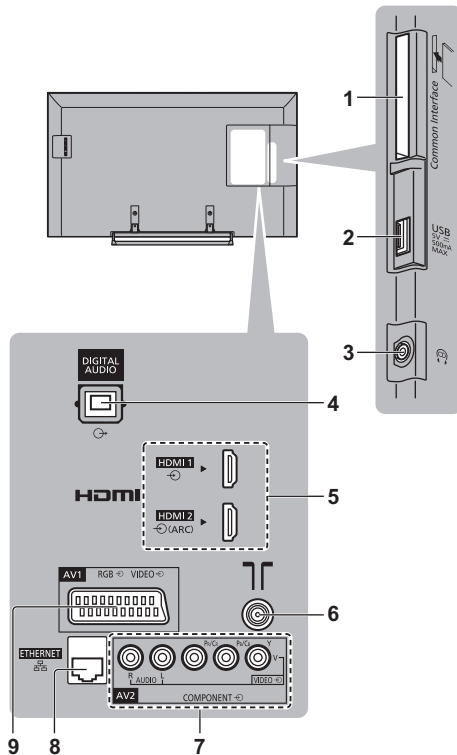
Asigurați-vă că demontați piedestalul în modul următor atunci când utilizați suportul pentru suspendare pe perete sau la reambalarea televizorului.

- 1 Demontați șuruburile de asamblare B din televizor.
- 2 Scoateți piedestalul de la televizor.
- 3 Demontați șuruburile de asamblare A din suport.

Conexiuni

- Echipamentele externe și cablurile ilustrate în imagini nu se livrează împreună cu televizorul.
- Asigurați-vă că aparatul este deconectat de la priză înainte de a lega sau deconecta orice fel de cabluri.
- Pentru conectare, verificați dacă tipul de terminale și ștecăre este corect.
- Folosiți un fir complet cablat compatibil HDMI.
- Folosiți un cablu SCART complet cablat.
- Țineți televizorul la distanță de echipamentele electronice (echipamente video etc.) sau echipamentele cu senzori în infraroșu, deoarece în caz contrar pot apărea distorsiuni de imagine/sunet, iar funcționarea celorlalte echipamente poate fi afectată.
- Vă rugăm citiți, de asemenea, manualul echipamentului conectat.

Terminale

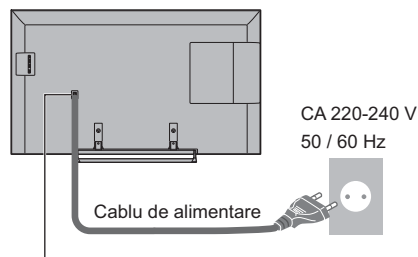


- 1 Slot CI ➔ (p. 10)
- 2 Port USB
- 3 Mufă cască ➔ (p. 10)
- 4 DIGITAL AUDIO

- 5 HDMI1 - 2 ➔ (p. 9)
- 6 Terminal terestru/de cablu ➔ (p. 8)
- 7 AV2 (COMPONENT/VIDEO) ➔ (p. 9)
- 8 ETHERNET ➔ (p. 9)
- 9 AV1 (SCART) ➔ (p. 8, 9)

Conexiuni de bază

■ Cablu de alimentare



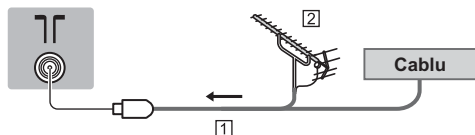
Introduceți ștecărul bine în poziție.



- Atunci când deconectați cablul de alimentare, asigurați-vă că mai întâi scoateți ștecărul din priză.

■ Antenă

Televizor



- 1 Cablu RF
- 2 Antenă terestră
 - Pentru DVB-C, DVB-T, Analogic

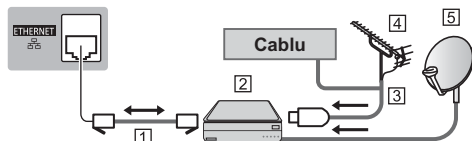
Conexiune client DVB via IP

Acest TV are funcția client DVB via IP și se poate conecta la serverul DVB via IP pentru a urmări transmisiuni în flux continuu.

- Se recomandă conectarea serverului DVB via IP cu un cablu LAN.

■ Conexiune prin cablu

TV

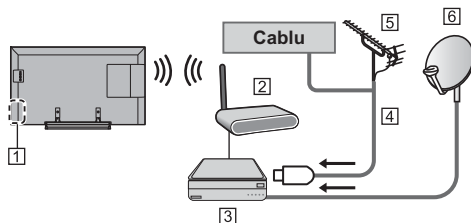


- 1 Cablu LAN (Ecranat)

- Folosiți cablul LAN torsadat în pereche, ecranat (STP).

- 2 Server DVB via IP
- 3 Cablu RF
- 4 Antenă terestră
- 5 Antenă parabolică

■ Conexiune wireless



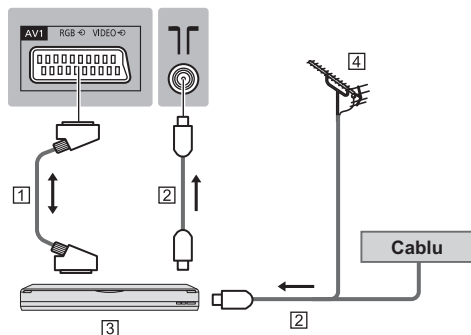
- 1 LAN wireless integrat
- 2 Punct de acces
- 3 Server DVB via IP
- 4 Cablu RF
- 5 Antenă terestră
- 6 Antenă parabolică

- În funcție de starea rețelei și de transmisie, este posibil ca această funcție să nu fie disponibilă.
- Pentru informații despre conexiuni, citiți manualul serverului DVB via IP.
- Pentru detalii, consultați [eAJUTOR] (Funcții > DVB prin IP).

Dispozitive AV

■ Recorder DVD / VCR

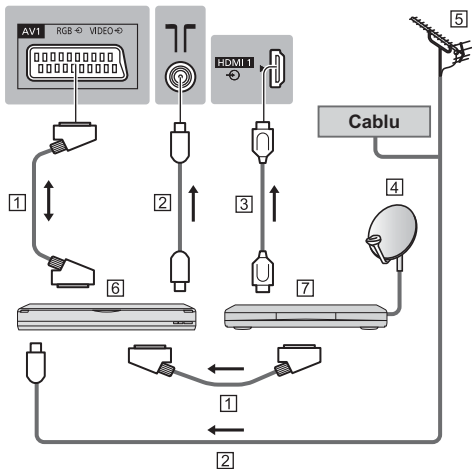
Televizor



- 1 Cablu SCART
- 2 Cablu RF
- 3 Recorder DVD / VCR
- 4 Antenă terestră

■ Recorder DVD (VCR) / Decodor

Televizor



- 1 Cablu SCART
- 2 Cablu RF
- 3 Cablu HDMI
- 4 Antenă parabolică
- 5 Antenă terestră
- 6 Recorder DVD / VCR
- 7 Decodor

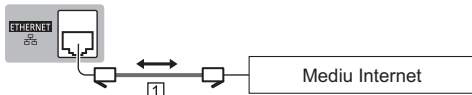
Rețea

Pentru a utiliza serviciul de internet este nevoie de un mediu de rețea de bandă largă.

- Dacă nu aveți serviciul de rețea în bandă largă, vă rugăm să consultați furnizorul dumneavoastră pentru asistență.
- Pregătiți mediul Internet pentru conexiunea prin cablu sau wireless.
- Setarea conectării la rețea va porni când utilizați prima dată televizorul. ➔ (p. 13)

■ Conexiune prin cablu

Televizor



- 1 Cablu LAN (Ecranat)
 - Folosiți cablul LAN torsadat în pereche, ecranat (STP).

■ Conexiune wireless



- 1 LAN wireless integrat

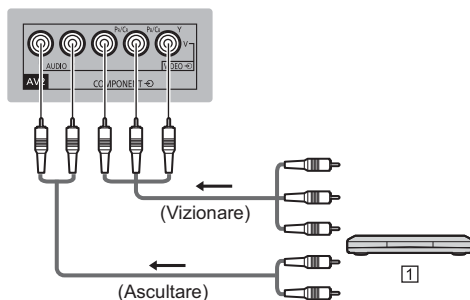
2 Punct de acces

Alte conexiuni

■ Player DVD

(echipament COMPONENT)

Televizor

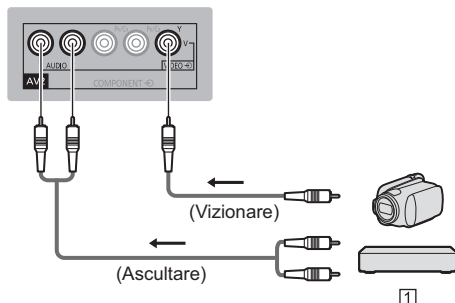


1 Player DVD

■ Cameră video / Echipamente pentru jocuri

(echipament VIDEO)

Televizor

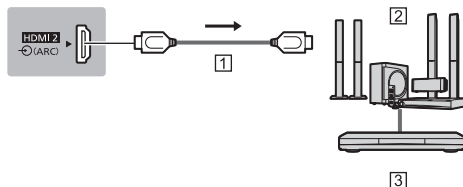


1 Cameră video / Echipamente pentru jocuri

■ Amplificator (ascultarea la difuzoare externe)

- Utilizați HDMI2 pentru a conecta TV-ul la un amplificator care are funcția ARC (Canal Revenire Audio). Utilizați DIGITAL AUDIO dacă îl conectați la un amplificator fără funcția ARC.
- Pentru a vă delecta cu sunetul transmis prin mai multe canale al echipamentului extern (ex. Dolby Digital 5.1 canale), conectați echipamentul la amplificator. Pentru informații despre conexiuni, citiți manualele echipamentului și amplificatorului.

Televizor

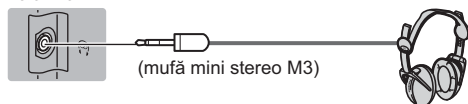


- 1 Cablu HDMI
- 2 Amplificator cu sistem de difuzoare
- 3 Echipament extern (DVD player etc.)

■ Căști

- Pentru a regla volumul
➔ **[Volum căști] în meniul Sunet**
- Pentru a selecta ieșirea audio în vederea reglării volumului ➔ **[Setare difuzoare] din meniul Sunet**

Televizor



■ Interfață comună

- Oprii televizorul cu butonul de pornire/oprire a alimentării atunci când introduceți sau scoateți modulul CI.
- Dacă o cartelă inteligentă și un modul CI sunt livrate ca set, introduceți mai întâi modulul CI și apoi introduceți cartela inteligentă în modulul CI.
- Introduceți sau scoateți complet modulul CI în direcția corectă, așa cum este prezentat.

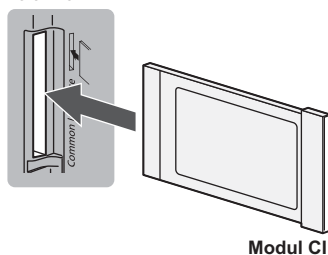
• Vor fi afișate canalele codificate în mod normal. (Canalele care pot fi vizionate și caracteristicile aferente acestora depind de modulul CI.)

Dacă nu apare canalele criptate

➔ **[Interfață obișnuită] în meniul Setare**

- Este posibil ca pe piață să existe unele module CI cu versiuni firmware mai vechi, care nu sunt complet interoperabile cu acest nou televizor CI+ v.1.3. În acest caz, vă rugăm să vă contactați furnizorul de conținut.
- Pentru detalii, consultați [eAJUTOR] (Funcții > Interfață obișnuită), citiți manualul modulului CI sau luați legătura cu furnizorul de conținut.

Televizor

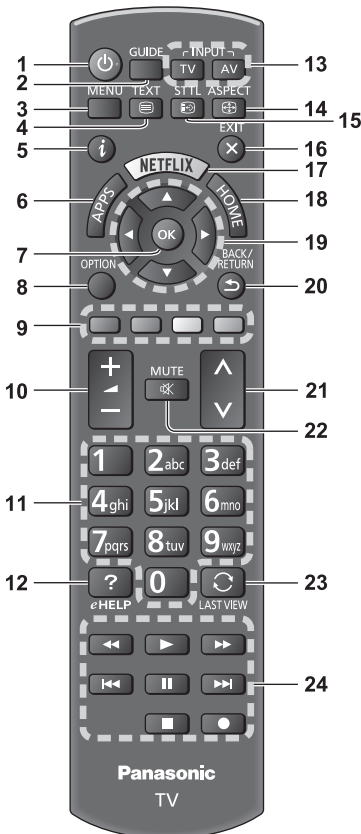


■ VIERA Link

- Utilizați HDMI1 - 2 pentru conexiunea VIERA Link.
- Pentru detalii, consultați [eAJUTOR] (Funcții > VIERA Link „HDAVI Control™”).

Identificarea elementelor de comandă

Telecomandă



1 Buton activare/dezactivare mod de așteptare

2 Ghid TV

- Afișează ghidul electronic de programe.

3 [Meniu principal]

- Apăsăți pentru a accesa meniurile Imagine, Sunet, Rețea, Temporizator, Setare și Ajutor etc.

4 Buton Teletext

5 Informații

- Afișează informații despre canale și programe.

6 APPS

- Afișează [Lista APPS] (lista de aplicații).

7 OK

- Confirmă selecțiile și opțiunile.
- Pentru o modificare rapidă a canalului, apăsați după selectarea pozițiilor canalelor.
- Afișează lista de canale.

8 [Meniu opțiuni]

- Setare opțională simplă pentru vizionare, sunet etc.

9 Butoane colorate

(roșu-verde-galben-albastru)

- Folosite pentru selectare, navigare și utilizarea diverselor funcții.

10 Creșterea/reducerea volumului

11 Butoane numerice

- Schimbă canalele și paginile teletext.
- Setează caracterele.
- În timpul modului de așteptare, pornește televizorul.

12 [eAJUTOR]

- Afișează sistemul [eAJUTOR] (instrucțiunile de utilizare integrate).

13 Selectează modul de intrare

- TV - comută la DVB-C/DVB-T/DVB via IP/Analogic.
- AV - comută în modul de intrare AV din lista Selectare intrare.

14 Aspect

- Modifică formatul imaginii.

15 Subtitrare

- Afișează subtitrările.

16 Ieșire

- Revine la [Ecran de pornire].

17 Netflix

- Accesează direct serviciul NETFLIX.
- Pentru utilizarea la parametri maximi a acestei funcții este necesar un mediu de rețea de bandă largă.
- Acest serviciu poate fi oprit sau modificat fără notificare prealabilă.

18 HOME

- Afișează [Ecran de pornire].

19 Butoane cursor

- Efectuează selecții și reglaje.

20 Revenire

- Revenire la meniul/pagina precedentă.

21 Canal următor/anterior

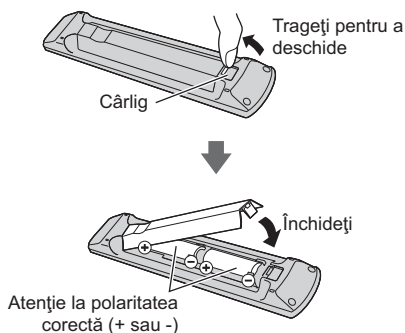
22 Activare/dezactivare sunet

23 Ultima vizualizare

- Trece la canalul vizionat anterior sau la modul de introducere date.

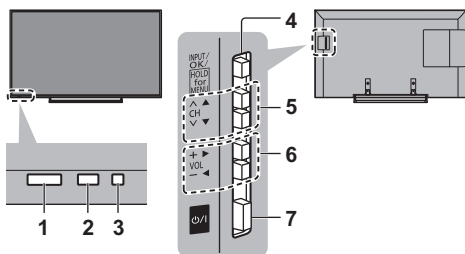
24 Operații pentru conținut, echipamente conectate etc.

■ Instalarea/demontarea bateriilor



Indicator/Panou de comandă

- Când apăsați pe butoanele 4, 5, 6, ghidul panoului de control apare în partea dreaptă a ecranului timp de 3 secunde pentru a evidenția butonul apăsat.



Partea din spate a televizorului

1 Receptor de semnal pentru telecomandă

- Nu amplasați niciun fel de obiecte între telecomandă și receptorul de semnal pentru telecomandă de pe televizor.

2 Senzor de ambianță

- Detectează luminozitatea pentru reglarea calității imaginii atunci când [Senzor lumină ambientală] din Meniul imagine este setat la [Activat].

3 LED de alimentare

Roșu: Mod de așteptare

Verde: Activat

Portocaliu: Mod de așteptare cu anumite funcții (funcția de rețea etc.) active

- LED-ul clipește când televizorul primește o comandă de la telecomandă.

4 Selectează modul de intrare

- Apăsați de mai multe ori până ajungeți la modul dorit.

[Meniu principal]

- Țineți apăsat pentru circa 3 secunde, pentru a se afișa meniul principal.

OK (când vă aflați în sistemul de meniuri)

5 Canal următor/anterior

- Cursor sus/jos (când vă aflați în sistemul de meniuri)

6 Creșterea/reducerea volumului

- Cursor stânga/dreapta (când vă aflați în sistemul de meniuri)

7 Buton pornire/oprire alimentare

- Utilizați pentru a porni sau opri alimentarea.

Setare automată inițială

La pornirea pentru prima dată a televizorului, acesta va căuta automat canalele TV disponibile și va furniza opțiuni de configurare a televizorului.

- Acești pași nu trebuie parcurși în cazul în care configurarea a fost făcută de reprezentantul local al firmei Panasonic.
- Vă rugăm să finalizați conexiunile (p. 7 - 10) și setările echipamentului conectat (dacă este necesar) înainte de a începe Setarea automată. Pentru informații despre setările echipamentului conectat, citiți manualul echipamentului.

1 Conectați TV-ul la o priză de curent activă și porniți alimentarea



- Durează câteva secunde până apare imaginea.



2 Selectați următoarele elemente

Setați fiecare element respectând instrucțiunile de pe ecran.

Exemplu:



■ Folosirea telecomenzii



Deplasați cursorul



Accesați elementul/memorați setarea



Reveniți la elementul precedent (dacă este disponibil)

Selectați limba

Selectați [Acasă]

Selectați mediul de vizualizare [Acasă] pentru utilizare în mediul dumneavoastră de acasă.

- [Magazin] este pentru expunerea în magazin.
- Pentru a modifica ulterior mediul de vizualizare, va trebui să inițializați toate setările prin accesarea Condiții presetate.

Setarea conexiunii la rețea

Selectați țara

- În funcție de țara selectată, selectați regiunea dumneavoastră sau salvați codul PIN pentru Blocare copii („0000” nu poate fi salvat).

Bifați modul de semnal TV pentru acord, apoi selectați [Pornire setare auto.]

: acord (căutare a canalelor disponibile)

: omitere acord

- Ecranul Setare automată variază în funcție de țară și de modul de semnal selectat.

[Setări rețea DVB-C]

În mod normal, setați [Frecvență] și [ID rețea] pe [Auto].

Dacă [Auto] nu este afișat sau dacă este necesar, introduceți parametrii [Frecvență] și [ID rețea] specificați de furnizorul dumneavoastră de servicii prin cablu, utilizând butoanele numerice.

3 Selectați tipul de [Ecran de pornire]

Se afișează demonstrația modului de utilizare a [Ecr. meu de pornire]. Urmați exemplul respectând instrucțiunile de pe ecran și apoi selectați [Ecran de pornire] dorit.

Exemplu: [Sel. Ecran pornire]



Exemplu: [Ecran de pornire TV]



Setarea automată este încheiată și televizorul este gata de funcționare.

Dacă acordarea a eșuat, verificați cablul RF și conexiunea de rețea, apoi urmați instrucțiunile de pe ecran.

Observație

- Televizorul intră în modul Standby când nu se execută nicio operație timp de 4 ore dacă [Standby automat] din meniul Temporizator este setată la [Activat].
- Televizorul intră în modul Standby când nu se recepționează niciun semnal și nu se execută nicio operație timp de 10 minute dacă [Opre în absența semnalului] din meniul Temporizator este setată la [Activat].
- Pentru a reaccorda toate canalele
➔ [Setare automată] în [Meniu acord] (Meniul Setare)
- Pentru a adăuga modul semnalului TV disponibil mai târziu
➔ [Adaugă semnal TV] în [Meniu acord] (Meniul Setare)

- Pentru a inițializa toate setările
 ➔ [Condiții presetate] în [Meniu sistem] (Meniul Setare)

Operații

Porniți televizorul

Ⓟ/I (TV)

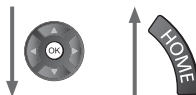
sau

 (Telecomandă)

- Butonul de pornire/oprire a alimentării trebuie să fie în poziția de pornire. (p. 12)

Se afișează ultimul [Ecran de pornire] vizualizat.

Exemplu: [Ecran de pornire TV]



Exemplu: Ecran de conținut selectat



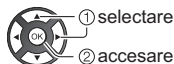
- Pentru a reveni oricând la [Ecran de pornire]



- [Ecran de pornire] se poate configura pentru a afișa informațiile dorite, pentru a accesa ușor anumite funcții, pentru a selecta [Ecran de pornire] implicit etc. Pentru detalii, urmați instrucțiunile de pe ecran sau consultați [eAJUTOR] (Ecr. meu de pornire > Ecr. meu de pornire).

Vizionarea programelor TV

1 Selectați vizualizatorul TV din [Ecran de pornire]



2 Selectați modul



- Modulile selectabile variază în funcție de canalele stocate.

3 Selectați un canal



sau



- Pentru selectarea unui număr de program format din 2 sau mai multe cifre, de ex. 399



Pentru accesarea fiecărei caracteristici

Accesați [Lista APPS] și selectați o caracteristică



Exemplu: [Lista APPS]



- APPS reprezintă lista de aplicații (caracteristici) ale televizorului.
- Pentru utilizarea fiecărei caracteristici și setarea [Lista APPS], urmați instrucțiunile de pe ecran sau consultați sistemul [eAJUTOR] (Ecr. meu de pornire > Lista APPS).

Modul de utilizare eAJUTOR

[eAJUTOR] reprezintă instrucțiunile de utilizare detaliate integrate în softul televizorului și furnizează o explicație mai detaliată, pentru o mai bună înțelegere a operării fiecărei

1 Afișaj [eAJUTOR]



sau



[Ajutor]

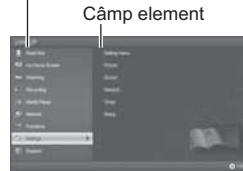


[eAJUTOR]

- Dacă s-a accesat anterior [eAJUTOR] după pornirea televizorului, va fi afișat ecranul de confirmare, pentru a selecta dacă se trece la [Prima pagină] sau la [Ultima pagină vizualizată].

2 Selectați categoria și elementul

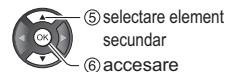
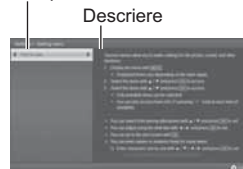
Câmp categorie



Câmp element



Câmp element secundar



- Pentru a reveni la câmpul precedent



- Pentru a derula descrierea (dacă are mai mult de 1 pagină)

În timp ce descrierea este evidențiată



- Pentru a afișa meniul aferent descrierii (numai pentru unele descrieri)



Întrebări frecvente

Înainte de a solicita service sau asistență, urmați aceste indicații simple pentru a rezolva problema.

- Pentru detalii, consultați [eAJUTOR] (Asistență > Întrebări frecvente).
-

Televizorul nu pornește

- Verificați dacă ați conectat cablul de alimentare la televizor și la priză.
-

Televizorul trece în modul așteptare

- Funcția automată de așteptare este activată.
-

Telecomanda nu funcționează sau funcționează intermitent

- Bateriile sunt introduse corect? ➔ (p. 12)
 - Televizorul a fost pornit?
 - Se poate ca bateriile să fie consumate. Înlocuiți-le cu unele noi.
 - Îndreptați telecomanda direct către receptorul de semnal al telecomenzii televizorului (până la aproximativ 7 m și un unghi de 30 de față de receptorul de semnal).
 - Amplasați televizorul departe de lumina soarelui sau de alte surse de lumină puternică, pentru a nu se reflecta în receptorul de semnal al telecomenzii televizorului.
-

Nu se afișează nicio imagine

- Verificați dacă televizorul este pornit.
 - Verificați dacă ați conectat cablul de alimentare la televizor și la priză.
 - Verificați selectarea corectă a modului de intrare.
 - Verificați ca setarea [AV2] ([COMPONENT] / [VIDEO]) în [Selectare intrare] să corespundă cu semnalul emis de echipamentul extern.
 - Sunt [Iluminare], [Contrast], [Luminozitate] sau [Culoare] din meniul Imagine setate la valoarea minimă?
 - Verificați dacă toate cablurile necesare și conexiunile sunt bine fixate.
-

Se afișează o imagine neobișnuită

- Televizorul are o funcție de auto-testare integrată. Realizează o diagnoză a problemelor de imagine sau de sunet.
➔ [Autotest TV] (Help Menu)
 - Oprțiți televizorul de la butonul de pornire/oprire a alimentării și apoi reporniți-l.
 - Dacă problema persistă, inițializați toate setările.
➔ [Condiții presetate] în [Meniu sistem] (Meniul Setare)
-

Părți ale televizorului devin fierbinți

- Părți ale televizorului pot deveni fierbinți. Aceste creșteri de temperatură nu prezintă vreo problemă în ceea ce privește performanțele și calitatea.
-

La atingerea cu un deget, panoul de afișare se mișcă încet și emite un sunet.

- În jurul panoului există un mic spațiu liber pentru a preveni deteriorarea panoului. Aceasta nu este o defecțiune.

Întreținere

Mai întâi, scoateți ștecărul din priză.

Ecranul de afișare, carcasa, piedestalul

Îngrijirea periodică:

Ștergeți cu atenție suprafața ecranului de afișare, carcasa sau piedestalul prin utilizarea unei cârpe moi pentru a curăța urmele de murdărie sau amprente.

Pentru urme persistente de murdărie:

- (1) Mai întâi, ștergeți praful de pe suprafață.
- (2) Umeziți o cârpă moale cu apă curată sau cu apă care conține o cantitate mică de detergent neutru (1 parte detergent la 100 părți apă).
- (3) Stoarceți cârpa temeinic. (Atenție, nu lăsați să pătrundă lichid în interiorul televizorului, deoarece poate duce la defectarea produsului.)
- (4) Umeziți cu atenție cu o cârpă și apoi îndepărtați murdăria persistentă.
- (5) La final, ștergeți toată umezeala de pe suprafață cu o cârpă uscată.

Atenție

- Nu utilizați o cârpă din material dur și nu frecăți suprafața prea insistent, deoarece pot apărea zgârieturi pe suprafață.
- Aveți grijă ca suprafețele să nu ajungă în contact cu insecticide, solvenți, diluanți sau alte substanțe volatile. Acestea ar putea distruge calitatea suprafeței prin desprinderea stratului de vopsea.
- Suprafața panoului de afișare are un strat de acoperire special care se deteriorează foarte ușor. Evitați lovirea sau zgărirea suprafeței cu unghiile sau cu alte obiecte dure.
- Nu lăsați carcasa și piedestalul să ajungă în contact o perioadă mai lungă cu obiecte din cauciuc sau PVC. Acest lucru ar putea afecta calitatea suprafeței.

Ștecărul

Ștergeți ștecărul cu o cârpă uscată la intervale regulate. Umezeala și praful pot provoca incendii sau electrocutare.

Date tehnice

■ Televizor

Model nr.

(Model de 40 inci): TX-40CS520E

(Model de 50 inci): TX-50CS520E

(Model de 55 inci): TX-55CS520E

Dimensiuni (lățime × înălțime × adâncime)

(Model de 40 inci)

904 mm × 556 mm × 230 mm (Cu piedestal)

904 mm × 518 mm × 47 mm (Numai televizorul)

(Model de 50 inci)

1 126 mm × 690 mm × 230 mm (Cu piedestal)

1 126 mm × 652 mm × 47 mm (Numai televizorul)

(Model de 55 inci)

1 242 mm × 757 mm × 230 mm (Cu piedestal)

1 242 mm × 719 mm × 56 mm (Numai televizorul)

Masa

(Model de 40 inci)

12,5 kg net (Cu piedestal)

10,5 kg net (Numai televizorul)

(Model de 50 inci)

17,5 kg net (Cu piedestal)

15,0 kg net (Numai televizorul)

(Model de 55 inci)

19,5 kg net (Cu piedestal)

17,5 kg net (Numai televizorul)

Sursa de alimentare

CA 220-240 V, 50 / 60 Hz

Panou

Panou LCD cu leduri

Sunet

Ieșire difuzor

20 W (10 W + 10 W)

Căști

Mufă M3 (3,5 mm) stereo × 1

Conectori

Intrare/ieșire AV1

SCART (intrare audio/video, ieșire audio/video, intrare RGB)

Intrare AV2 (COMPONENT/VIDEO)

VIDEO

PIN tip RCA × 1

1,0 V_[p-p] (75 Ω)

AUDIO L - R

PIN tip RCA × 2

0,5 V[rms]

Y

1,0 V[p-p] (incluzând sincronizarea)

Pb/Cb, Pr/Cr

± 0,35 V[p-p]

Intrare HDMI 1/2

Conectori TIP A

HDMI1: Tip conținut

HDMI2: Tip conținut, Canal Revenire Audio

- Acest televizor acceptă funcția „HDAVI Control 5”.

Slot card

Slot Interfață obișnuită (în conformitate cu CI Plus)
× 1

ETHERNET

RJ45, IEEE802.3 10BASE-T/100BASE-TX

USB

5 V c.c., Max. 500 mA [Hi-Speed USB (USB 2.0)]

Ieșire DIGITAL AUDIO

PCM/Dolby Digital, Fibră optică

Sisteme de recepție / Denumire bandă

Consultați ultimele informații privind serviciile disponibile pe următorul site web. (Doar în limba engleză)

<http://panasonic.net/viera/support>

DVB-C

Servicii digitale prin cablu (MPEG2 și MPEG4-AVC(H.264))

DVB-T/T2

Servicii digitale terestre (MPEG2 și MPEG4-AVC(H.264))

PAL B, G, H, I

SECAM B, G

SECAM L, L'

VHF E2 - E12

VHF A - H (ITALIA)

CATV (S01 - S05)

CATV S11 - S20 (U1 - U10)

VHF H1 - H2 (ITALIA)

UHF E21 - E69

CATV S1 - S10 (M1 - M10)

CATV S21 - S41 (Hiperbandă)

PAL D, K

SECAM D, K

VHF R1 - R2

VHF R3 - R5

VHF R6 - R12

UHF E21 - E69

PAL 525/60

Redare bandă NTSC de pe unele echipamente de înregistrare video PAL (videorecorder)

M.NTSC

Redare de pe videocasetofoane M.NTSC (videorecorder)

NTSC (numai intrare AV)

Redare de pe videocasetofoane NTSC (videorecorder)

Intrare antenă

VHF/UHF

Condiții de utilizare

Temperatură

0 °C - 35 °C

Umiditate

20 % - 80 % UR (fără condens)

LAN wireless integrat

Conformitate cu standardele și gamă de frecvențe*

IEEE802.11a/n

5,180 GHz - 5,320 GHz, 5,500 GHz - 5,580 GHz,
5,660 GHz - 5,700 GHz

IEEE802.11b/g/n

2,412 GHz - 2,472 GHz

Securitate

WPA2-PSK (TKIP/AES)

WPA-PSK (TKIP/AES)

WEP (64 biți/128 biți)

*: Frecvența și canalul diferă în funcție de țară.

Observație

- Designul și caracteristicile pot fi modificate fără aviz prealabil. Dimensiunile și greutatea indicate sunt doar valori aproximative.
- Pentru informații privind consumul de energie, rezoluția de afișare etc., consultați Fișa produsului.
- Pentru informații privind software-ul open source, consultați [eAJUTOR] (Asistență > Licență).

- Acest echipament respectă standardele EMC enumerate mai jos.

Model de 40 inci Model de 50 inci

EN55013, EN61000-3-2, EN61000-3-3, EN55020, EN55022, EN55024

Model de 55 inci

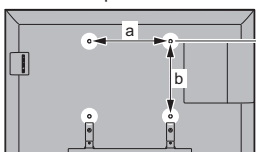
EN55032, EN55020, EN55024, EN61000-3-2, EN61000-3-3

■ Când utilizați suportul pentru suspendare pe perete

Vă rugăm să vă contactați distribuitorul local Panasonic pentru a achiziționa suportul pentru suspendare pe perete.

- Găuri pentru montarea suportului pentru suspendare de perete

Partea din spate a televizorului



Model de 40 inci

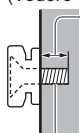
a: 200 mm
b: 200 mm

Model de 50 inci

Model de 55 inci

a: 400 mm
b: 400 mm

(Vedere din lateral)



Adâncime șurub

Model de 40 inci

minimum: 9 mm
maximum: 27 mm

Model de 50 inci

minimum: 9 mm
maximum: 26 mm

Model de 55 inci

minimum: 10 mm
maximum: 16 mm

Diametru: M6

Șurub pentru fixarea televizorului pe suportul pentru suspendare pe perete (nu este furnizat împreună cu televizorul)

Depunerea la deșeurile a echipamentelor și a bateriilor vechi

Doar pentru Uniunea Europeană și pentru țările cu sisteme de reciclare



Aceste simboluri de pe produse, ambalaje și/sau documentele însoțitoare indică faptul că produsele electrice și electronice, precum și bateriile uzate nu trebuie să fie amestecate cu deșeurile menajere obișnuite.

Pentru un tratament corespunzător, pentru recuperarea și reciclarea produselor vechi și a bateriilor uzate, vă rugăm să le depuneți la punctele de colectare special amenajate, în conformitate cu legislația națională.

Prin depunerea corespunzătoare a acestora la deșeurile, veți ajuta la economisirea unor resurse valoroase și veți preveni potențiale efecte negative asupra sănătății umane și asupra mediului înconjurător.

Pentru mai multe informații despre colectare și reciclare, vă rugăm să contactați autoritățile locale.

Este posibil ca depunerea incorectă la deșeurile să fie pedepsită în conformitate cu legile naționale.



Notă pentru simbolul de baterie (ultimele două exemple de simboluri):

Acest simbol poate fi utilizat în combinație cu un simbol chimic. În acest caz, acesta este conform cu cerințele stabilite de Directivă pentru elementul chimic în cauză.

Fișa clientului

Numărul modelului și numărul de serie al acestui produs se găsesc pe panoul din spate al televizorului. Este recomandat să notați acest număr de serie în spațiul de mai jos și să păstrați acest manual, precum și chitanța cu care ați cumpărat televizorul, pentru a putea fi folosite la identificarea produsului în cazul unui furt sau al unei pierderi, respectiv pentru lucrările de service prevăzute de garanție.

Număr model

Număr de serie

Panasonic Corporation

Web Site: <http://www.panasonic.com>

Română

TQB0E2501N-1