



**DIGITECH**  
Audio

*Noise Cancelling Headphones with Bluetooth Technology*



*Model No.: AA-2130*

*User Manual*

**Box Contents:**

- 1 x Wireless Headphones
- 1.x 3.5mm AUX Cable
- 1 x USB Charging Cable
- 1 x 6.5mm Adaptor
- 1 x 3.5mm Mono Airplane Adaptor
- 1 x Carry Case

**Operating Instructions:****Adjusting the Headband:**

- In order to achieve maximum comfort and noise cancellation, the headband should be adjusted to properly fit your head with the ear cups sitting comfortably over your ears.

**Charging the Headphones:**

Prior to use, charge your headphone unit by connecting the included charging cable into a USB power outlet (such as USB chargers or computer USB ports) and plug the other end into the headphone's micro USB charging port. The LED indicator will light up Red showing that the unit is being charged. When charging is complete, the Red LED indicator will turn off.

**Active Noise Cancelling Mode:**

- Adjust the volume on the headphones.
- To power ON the noise cancelling function, set the ON/OFF switch to ON. The Noise Cancelling LED indicator will light up in Blue.

Note: After you turn ON the power, you might hear a slight hissing noise. This is a normal function and will cease after a few seconds.

- When the batteries are running low, the Noise Cancelling LED indicator will become dim.
- Once the battery is fully drained, the active noise cancelling feature will turn off but the audio signal from the music player will continue to transmit.
- In quiet environments where noise cancellation is not required, the headphones can also be used like conventional headphones, without the use of batteries.
- When not in use, switch OFF the POWER to extend battery life.

## **Bluetooth Technology Function**

### **Main Functions**

#### **Turning ON/OFF:**

1. Power ON your headphones:

Press and hold the Multifunction Button (MFB) for about 4 seconds until the Bluetooth LED indicator light starts flashing Green/Red rapidly with an ascending sound.

2 .Power OFF your headphones: Press and hold the MFB for about 5 - 6 seconds until the Bluetooth LED indicator light turns solid Red with a descending sound.

#### **Getting Started with your Headphones:**

To use your Stereo Bluetooth Headphone, please follow the steps below:

- a) Ensure your Bluetooth Headphone is fully charged (before first use).
- b) Pair your charged Bluetooth Headphone with a Bluetooth-enabled mobile phone prior to first use.

#### **Pairing your Headphone:**

The headphone works with Bluetooth-enabled mobile phones. Prior to using and pairing your headphone for the first time, please check to make sure that your mobile phone is Bluetooth-enabled.

The pairing instructions for typical Bluetooth-enabled mobile phones are explained in "Pairing Your Headphone." The headphone pairing procedure may vary depending on the settings of your mobile phone. Please contact the manufacturer of your mobile phone or its agent for further information.

1. Press and hold the MFB for about 4 seconds until the Bluetooth LED indicator flashes alternately between Green and Red. Now the AA-2130 will enter into pairing mode.
2. Enable searching of nearby Bluetooth devices using the Bluetooth menu on your device.
3. Once the AA-2130 is found, you can now connect and pair. If your device prompts you for a password, please use "0000" - For more details, please refer to your device's owner manual.
4. When pairing is successful, the Bluetooth LED indicator will flash green every 4 seconds. If pairing is unsuccessful, please turn off the AA-2130 headphones and repeat the pairing steps.

After initial pairing is established, the headphones will automatically reconnect to the last paired device upon turning ON.

**Call-related Functions:**

Answer a call	Press MFB once to answer
End a call	Press MFB once again to end
Ignore a call	Hold MFB for 3 seconds
Last number re-dialing from headphone	Press MFB twice in standby status
Swap calls	Press MFB for 3 seconds

**Music-related Functions:**

Play/Pause Music	Press down the MFB Button (▶  ) once to start playing music and press it again to pause your music
Next/Previous Song	Press down the Music/Volume Control button towards the Forward icon (▶▶) to play the next song. To play the previous song, Press down the Music/Volume Control button towards the backward icon (◀◀).

\* May not be available for some devices. See your user manual for specific functionality/features available.

**Voice Dialling from your Headphone:**

If your mobile phone is equipped with a voice dialling function, press and hold the MFB button and say the voice tag according to the phone's command functions. You must record the voice tag (the person's name) into your mobile phone prior to using the voice dialling function on the headphone. Please refer to your mobile phone's user guide.

### **Using the 3.5mm Stereo Audio Cable:**

1 x 3.5mm audio stereo cable is included for use with multimedia devices that do not have Bluetooth capabilities. You may also use the audio cable if the headphones are not charged properly.

### **Note:**

- You are able to use both Noise Cancelling & Bluetooth Function simultaneously.
- You may notice 2 types of volume controls on the AA-2130 headphones. The AA-2130 headphone is a multifunction headphone unit. It can be used as a regular wired, active noise cancelling, or BT headphone. The right side volume Knob (Volume A) works for all functions - the left side volume buttons (Volume B) only work for BT headphone functionality. (See Headphone Overview)

### **\*Adjusting the Volume B :**

When you are on the phone or listening to the music, push the volume Knob (8) or long press the button (2) (4) repeatedly until you reach the desired volume level.

### **Troubleshooting:**

If you are unable to connect your headphone and your mobile phone, please try the following:

- Ensure your headphone is turned OFF and properly charged.
- Ensure the headphone is properly paired with your mobile phone.
- Ensure the headphone is within a 10 meter range of your paired Bluetooth device and that there are no obstructions, such as walls or other electronic devices in between.
- Ensure your mobile phone's Bluetooth feature is activated. Please refer to your mobile phone user guide for specific instructions.
- To reset certain functions of the AA-2130 headphones you can simply plug-in to recharge then disconnect.

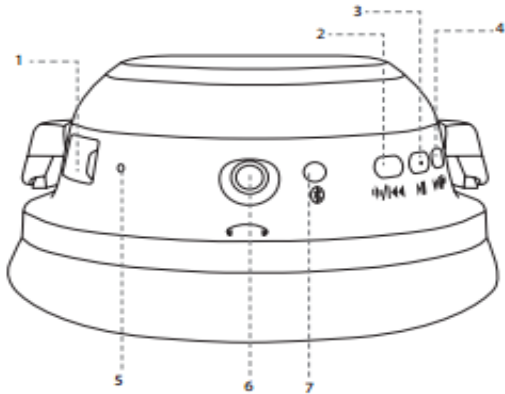
### **Safety instructions:**

- Always turn down the volume control before plugging the headphones into a sound source.
- Do not use these headphones where vehicular traffic is present, or in any other activity where a failure to hear surrounding sounds could be dangerous.
- Long-term exposure to loud music may cause hearing damage. It is best to avoid extreme volume when using these headphones, especially for extended periods.

- Keep batteries out of reach of children.

## Headphone Overview

### Left Side



1 – USB Socket (For Charging)

2– Volume – / Previous Song (Only for Bluetooth)

3– Multifunction Button (MFB) / Switch ON/OFF, Pairing, Make/Answer/End/Reject Call (Only for Bluetooth)

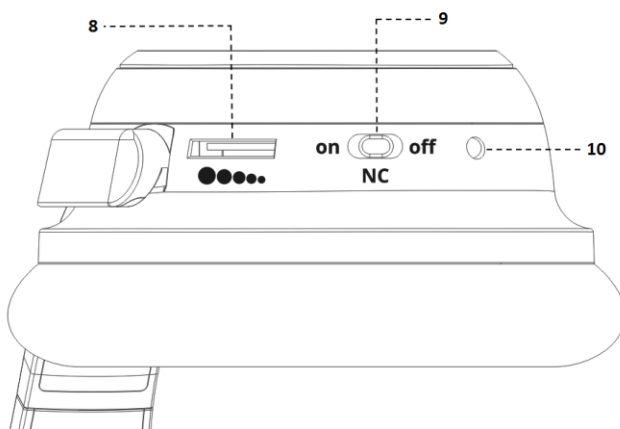
4– Volume + / Next song (Only for Bluetooth)

5– Microphone

6– 3.5mm Audio Jack

7–LED Indicator (For Bluetooth, battery condition)

### Right Side



8– Volume + / – Knob (For Bluetooth, Noise Cancelling or Wired)

9– Noise cancelling ON/OFF Button

## 10– Noise Cancelling LED Indicator

### **Specifications:**

Bluetooth version: 4.1

Noise cancellation rate: 85%

Speakers: 40mm Neodymium

Audio impedance: 32 ohms

Charging time: 3 hours

Charging: Micro USB

BT operating range:  $\geq 10$  m

Connection: 3.5mm AUX jack

Battery time (Bluetooth only): 15 hours

Battery time (Noise cancelling only): 30 hours

Battery time (Bluetooth + noise cancelling): 12 hours

Battery Type: Li-Polymer

Distributed by:  
Techbrands by Electus  
Distribution Pty. Ltd.  
320 Victoria Road, Rydalmere  
NSW 2116 Australia  
Ph: 1300 738 555  
Int'l: +61 2 8832 3200  
Fax: 1300 738 500  
[www.techbrands.com](http://www.techbrands.com)