

T451A, T651A, T694A, B, D, F, J Light Duty Line Voltage Thermostats Form 63-2051—4 Addendum

The purpose of this addendum to form 63-2051—4 is to add model T694J to the existing T694 family of Line Voltage Thermostats. The T694J provides heat only control with HI-OFF-LO fan switching.

On page 1:

- In the title, add a J following the F in the T694 series.
- Add the T694J photo (shown at right) to the three photos in the masthead.
- In the third bulleted feature, add a J following the F to include the J model in the T694 series that are supplied with the switching subbase to provide manual control of the heating, cooling and fan.

On page 2:

- At the end of the list of Standard Models, add the following entry:



T694J

Model Number	Application	System Switch	Changeover Switch	Fan Switch
T694J2002	Heating only. OFF position breaks all power to the fan.	—	—	HI-OFF-LO

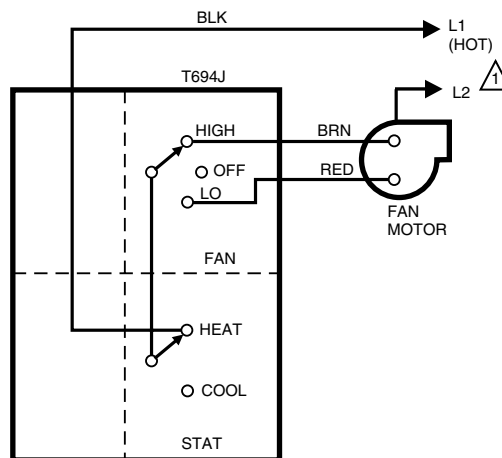
On page 5:

- At the bottom of the first column, in both the paragraph header and the first sentence, add a J following the F to include the J model in the T694 series that mount vertically on a 2 x 4 in. or 4 x 4 in. junction box.
- At the end of step 1, change the Fig. reference from Figs. 6-9 to Figs. 6-10 to include Fig.10, the system hookup being added for the T694J.

On page 6:

- Add the T694J figure title, **Fig. 10—T694J with positive-off fan position**, and the T694J wiring diagram.

Fig. 10—T694J with positive-off fan position,



⚠ POWER SUPPLY. PROVIDE DISCONNECT MEANS AND OVERLOAD PROTECTION AS REQUIRED. M7007

Home and Building Control
Honeywell Inc.
1985 Douglas Drive North
Golden Valley, MN 55422

Home and Building Control
Honeywell Limited—Honeywell Limitée
740 Ellesmere Road
Scarborough, Ontario
M1P 2V9