

What if something happens to my heating system? How can I check that the CM61NG is working?

See the troubleshooting guide below. If you need assistance after this call your installer.

CM61NG Trouble-Shooting Guide

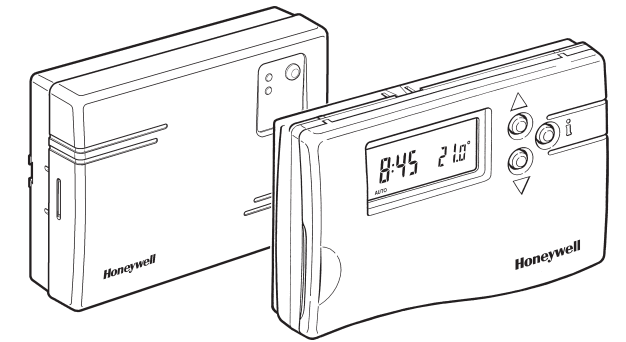
Symptom	Possible Cause	Remedy
Blank display	No batteries	Check that the batteries are in the battery compartment and that the paper tab has been pulled out
	Wrong battery orientation	Check that the batteries have been installed in the correct orientation
	Exhausted batteries	Replace batteries
Display shows flashing 'battery' symbol	Improper battery compartment insertion	Remove battery compartment and re-insert
	Batteries need replacing	Change batteries as described previously
Display shows 'flame' symbol but heating does not switch on	The heating is not required at this moment	The heat demand is sent to the relay box as a value between 0-100%. The relay box will adjust the boiler on time to meet this requirement. That is why the heating will be off sometimes even if the 'flame' symbol is displayed. To check if RF system is communicating properly press the TEMPerature UP button to increase the set temperature a few degrees above the current temperature. The heating should come on after a few seconds
Display works but heating does not switch on (HC60NG LEDs are off or green one is on)	Boiler switched off	Switch the boiler on
	Wrong electrical connection	Call electrical installer to check the boiler and relay box power supply as well as the connection between the boiler and the relay box
HC60NG red LED is constantly on or flashing	RF communication lost due to the wrong location of the room unit	Hook the room unit back on the wall bracket or replace the room unit on the table stand to the position where RF communication was reliable.
	RF communication fault	Call installer NOTE: You can control the boiler manually when the RF communication is lost: Press the HC60NG push button to switch the boiler on and off. When the green LED is on – the boiler is on.
Heating switches on or off too slowly or too quickly	CM61NG not set correctly for your system	Call installer
Temperature swings between too hot and too cold	CM61NG not set correctly for your system	Call installer
Display show 'spanner' symbol	Fault in the CM61NG	Remove the battery compartment and re-insert it. If the 'spanner' symbol does not clear itself in a few minutes call the installer



Warning.

This product and its associated documentation and packaging are protected by various intellectual property rights belonging to Honeywell Inc and its subsidiaries and existing under the laws of the UK and other countries. These intellectual and property rights may include patent applications, registered designs, unregistered designs, registered trade marks, unregistered trade marks and copyrights and also include the following UK registration rights:
UK patent application number 98062207.8
UK registered design numbers 2073334, 2073340 and 2073343.

RF Programmable Thermostat



What is an RF Programmable Thermostat?

A Honeywell Radio Frequency (RF) programmable thermostat is a thermostat that controls your heating system so that you can have comfortable temperatures when you are at home and energy savings when you are out. With RF communication there is no need to provide a wired connection between thermostat and boiler. The CM61NG can therefore be installed without disrupting your room decor. These instructions explain how to program and operate your CM61NG to get the most comfort at the least cost.

What will the CM61NG Programmable Thermostat do for me?

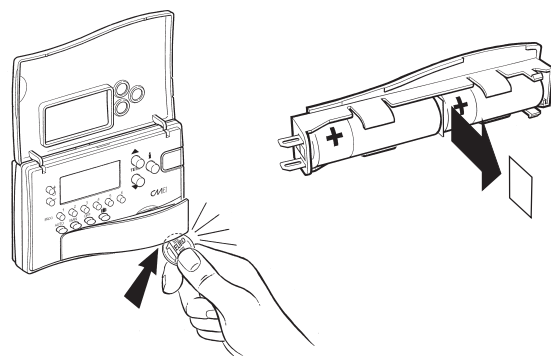
- **Wireless connection** to the boiler allows you to mount the CM61NG in your room without disrupting the decor
- **Armchair programming** lets you set up your CM61NG while resting comfortably in your armchair
- **Optimum Start** means that the CM61NG will switch on your heating system so that your desired comfort temperature is reached at the programmed time, thus avoiding unnecessary boiler firing
- **Attractive slim styling** compatible with any room decor
- **6 daily independent temperature levels** let you set any 6 temperatures from 5 to 30°C to match your daily lifestyle
- **Holiday button** saves energy by letting you reduce the temperature for 1 to 99 days while you are on holiday, returning to normal operation on the day you return
- **Memory** holds the user program indefinitely so that it is never lost even if you take the batteries out

What is Optimum Start?

Instead of switching on the heating at the set time every day, the CM61NG will delay the start time to the latest possible moment, so that unnecessary heating is avoided. All you have to do is set the time when you want comfort temperature and the CM61NG will then decide when to turn the heating on, thereby ensuring your comfort.

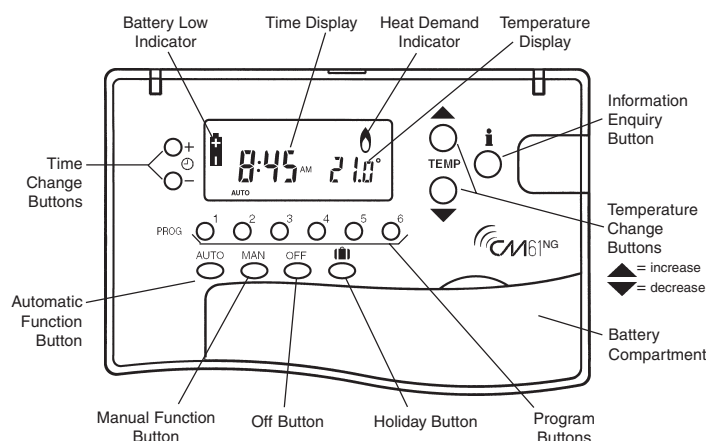
How do I install the batteries?

- Lift up the front flap to reveal the battery compartment. Open the battery compartment by inserting a coin underneath the bottom right edge of the flap and lift out.
- Pull the paper tab out to activate the 2 AA LR6 Alkaline Batteries included and push the battery compartment firmly back into the front of the unit. After a pause the unit will now display information.



CM61NG Controls/Display Layout

The diagram below details the key button functions and display information.



How do I set the time?

The time can be set with the CM61NG in the **AUTO**, **MAN** or **OFF** operating modes. Press \odot + or - until the correct time is displayed. Each button press will change the time by one minute. Holding the button down for a few seconds will change the time slowly at first, then quickly. Make sure AM or PM is correct.



How do I get started with the built-in temperature program?

Press the **AUTO** button. The CM61NG will now control your heating using the built-in temperature program:-

Program	Daily					
Time	1	2	3	4	5	6
Time	06:30	08:00	12:00	2:00	6:00	10:30
Temperature	21°C	18°C	21°C	18°C	21°C	16°C

How do I set my own daily temperature program?

- Press **PROG 1**. The first temperature change time and temperature level will flash to indicate they can be changed. (the two small arrows are displayed only when the programmed temperature level is shown).



- Press \odot + or - to adjust the first temperature change time. Holding the button down will change the time quickly. The change time can be set in 10 minute steps from 03:00 in the morning. The change time can be adjusted up to 02:50 on the next morning, so you can maintain the evening temperature after midnight.

(Note: If you attempt to move a change time past the next change time, both times will be moved).

- Press **TEMP** \blacktriangle or \blacktriangledown to adjust the first temperature level. Holding the button down will change the temperature quickly. The temperature can be set in 0.5°C steps from 5°C to 30°C.

- Press **PROG 2** to display the second temperature change time and temperature level. Set these by pressing \odot + or - and **TEMP** \blacktriangle or \blacktriangledown .

- The remaining temperature changes can be displayed by pressing **PROG** buttons **3**, **4**, **5** and **6** and adjusted by using \odot + or - and **TEMP** \blacktriangle or \blacktriangledown . (If you don't want to use all the temperature change times 2, 3, 4, 5 or 6 refer to the section "What if I don't want to use all 6 temperature change times?").

- Press **AUTO** when you have completed your programming. The CM61NG will now control the room temperature to match your program.

What if I don't want to use all 6 temperature change times?

The built-in program uses 6 temperature change times as indicated by the numbers **1**, **2**, **3**, **4**, **5** and **6** on the display. Unwanted change times can be deleted by holding the appropriate **PROG** buttons (**2**, **3**, **4**, **5** or **6**) down for a few seconds. The change time will be removed and the display will show dashes instead of a time / temperature display.

Deleted temperature change times can be brought back by again pressing the appropriate program button (**2**, **3**, **4**, **5** or **6**) for a few seconds.

Can I change the programmed temperature for a short time?

When the CM61NG is in **AUTO** position (display will show "AUTO") the temperature can be adjusted temporarily by pressing **TEMP** \blacktriangle or \blacktriangledown . The temperature will return to the program at the next temperature change time.

How do I check the programmed temperature?

In normal operation the temperature displayed is the actual room temperature. To check the programmed temperature press **i** and the display will show the programmed temperature with the two small arrows.

How do I set one temperature for the whole day?

To operate as a simple thermostat with one temperature throughout the day, press **MAN**. Adjust the manual temperature by pressing **TEMP** \blacktriangle or \blacktriangledown . The manual temperature can be set anywhere from 5°C to 30°C in 0.5°C steps.

I am going on holiday for a few days. How do I save energy but ensure that the house is warm when I return?

- Make sure the CM61NG is in **AUTO** or **MAN** mode.
- Press **HOLIDAY** to display the holiday days counter and temperature.
- Press \odot + or - to set the holiday time (1 - 99 days).
- Press **TEMP** \blacktriangle or \blacktriangledown to set the holiday temperature (5°C - 30°C).

The unit will control to the new temperature for the set number of days holiday. At midnight the holiday counter will be reduced by one until the selected number of days have passed. The unit will then return to normal control as set by the **MAN** or **AUTO** position.

To cancel the **HOLIDAY** setting, press the **HOLIDAY** button a second time.

How can I switch the Heating on and off manually?

To switch the boiler ON or OFF:

- Press the **MAN** button.
- Press **TEMP** \blacktriangle or \blacktriangledown until the boiler switches ON or OFF.

How can I switch the CM61NG off?

Press the **OFF** button. The unit will now control at 5°C.

How do I know when the batteries need to be changed and how do I do this?

Your CM61NG has built-in electronics that constantly monitor the battery power level. With no accessory fitted the batteries should last about 2 years. When the batteries need replacing, a flashing \oplus symbol will be displayed.

To change the batteries:

- Lift up the front flap to reveal the battery compartment. Open the battery compartment by inserting a coin underneath the bottom right edge of the flap and lift out.
- Replace the used batteries with 2 new AA LR6 Alkaline Batteries (Duracell are recommended) and push the battery compartment firmly back into the front of the unit.

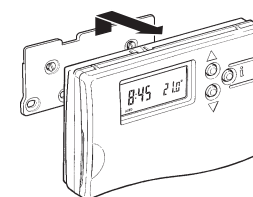
RESPECT YOUR ENVIRONMENT!
Take care to dispose of used batteries carefully.

The CM61NG has a permanent memory to keep your program settings. While you change the batteries, you should never need to reprogram. However, if you take more than one minute to change them, you may need to correct the time by pressing \odot + or -.

Can I use my CM61NG to control my air-conditioning system?

Yes. Please refer to your installer for more information.

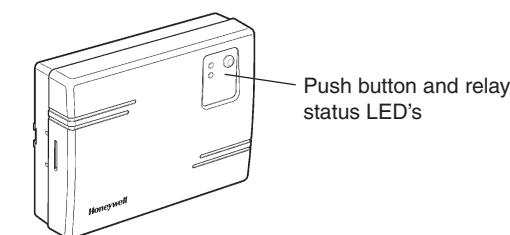
How do I remove the CM61NG from the wall bracket?



After programming is finished always replace the CM61NG back on the wall bracket.

HC60 Relay Box Controls Layout

The relay box will normally be found mounted close to the boiler.



What does it mean when the HC60NG relay box green LED is ON?

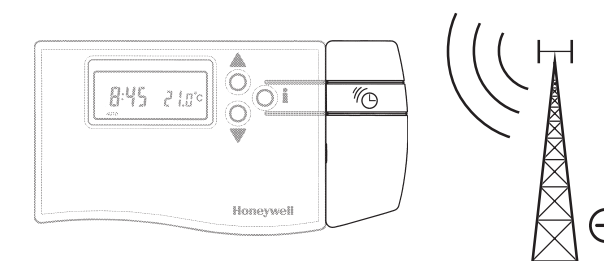
The green LED indicates normal operation of the radio frequency system. When the green LED is ON the boiler is also ON. When the LED is OFF the boiler is OFF.

When do I need to use the push button?

You should use the push button to control your boiler only when the RF communication is lost (see the CM61NG Trouble-Shooting Guide).

What other accessories can I buy for the CM61NG?

Automatic Time Setting (ATS) "Add-On" Module *
(Part No. Q6667B1015)



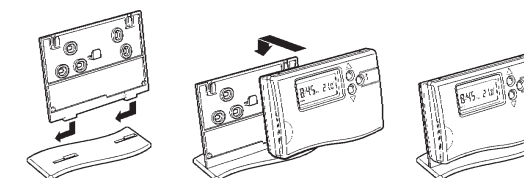
The ATS module picks up a daily time signal from a transmitter in Central Europe and corrects the time on the CM61NG display. So:

- You never need to set or adjust the time
- There is no need to adjust the unit by +/- 1 hour in summer / winter since the unit does this automatically
- Your CM61NG is the most accurate clock in your home so you can use this information to set-up all your other clocks.

* Not available in all Geographic Regions depending on transmitter range and home location.

Table stand for the room unit (Part No. F42010248-002)

If you do not want to mount the room unit on the wall you can use optional table stand, ask your installer for details



*Note: The room unit must be located in a location where reliable communication was proven. Advise your installer where you would like to position the room unit and they will check if the RF communication is reliable in the selected location(s)