

User's Manual

**HA 5035 Multi-functional On-line Proximity
Access Control Reader
Version: 1.11**



HEART ENTERPRISE CO. LTD.

Table of Contents

<u>【Chapter I】 Product Description</u>	3
1. Function briefs	3
2. Configuration	5
3. Wiring	5
4. Installation	6
4-1. HA5035 and HP1506 refer to wiring	6
4-2. HA5035 and HB0312 refer to wiring	6
4-3. Connection for RS485 of HA5035	7
4-4. Connection for RS232 of HA5035	8
<u>【Chapter II】 Function setting mode</u>	9
1. On-line access control parameter mode	9
1 Parameter setting table	9
2. Stand alone access control parameter mode	10
1 Parameter setting table	10
<u>【Chapter III】 Function check and basic operation</u>	12
1. Basic function table	12
1 Vision check	12
2 Parameter setting	12
3 Data check	13
4 Card number check	13
2. Basic operation	14
1 Door open	14
2 Alarm disable	14
3 Door open too long Alarm	14
4 Force entering alarm	15
5 Tamper alarm	15
6 emergency opening	15
7 Anti-passback	15
8 Patrol	16
9 Security Arm / Disarm	16
10 Duress	18
11 Access Mode	19
12 Dual-Gate driveway control	19
13 Strike relay	19
14 Password	19
15 Reading	20
16 Shift between main and subordinated readers	20

17	Time zone	20
18	Holiday table	20
19	Relay function	20
20	Others	21

【Chapter IV】 Description of error message 23

1.	Error message	23
1	Invalid date	23
2	Invalid time	23
3	Invalid card	23
4	Invalid password	23
5	Anti-passback	23
6	Invalid card number	23
7	System armed	23
8	Invalid card	23
9	Card expire	24
10	Full memory	24
2.	Record format	24

【Chapter V】 Factory preset parameter 25

【Chapter I】 Product Description

The product provides both on line access control modes, with preset of default setting on on-line mode connection one.

1. Function Briefs

On-line access control (ACS_MODE)

The number of card holder : 12,000 cards

Transaction date: 14,000 events

Default Display :

READY FOR CARD 2003 /11/05 16:00

Tamper Alarm

Force Entering Alarm

Door Open too long Alarm

Access Card Enrollment

Personal Password

Password Zone Control (one time zone)

Time Zone Control (10 time zones available in total, and only one selectable for each person)

Holiday Control

Access Mode Zone (2 allowable)

Emergency Open

Exit Button Available

Exit Button Zone Control (one time zone)

Subordinated Reader for Exit Button

Anti-Passback (2 modes available)

Card Number Open (selectable for all cards or specific cards)

Patrol

Patrol Card Delete

Duress

Arm protection

Dual Door Gate Control

Shift Between Main and Subordinated Readers

Check all Records (including deleted ones), 9999available in maximum

Date and time setting

Valid date control

DI (NC / NO) Setting

K1(Latch / Momentary) Setting

Stand alone access control (STA_MODE)

The number of card holders: 12,000 cards

Transaction date: 14,000 event

Ordinary Display :

ACCESS CONTROL 2003 /11/05 16:00

Tamper Alarm

Force Entering Alarm

Door open too long alarm

Stand alone Access Card Enrollment and Delete

Batch Access Card Enrollment and Delete

Personal Password

Access Card Number upload and download

Subordinated Reader for Exit Button

Exit Button Available

Emergency Open

Anti-Passback (2 modes available)

Card Number Open (selectable for all cards or specific cards)

Patrol

Patrol Card Delete

Duress

Arm protection

Dual Door Gate Control

Shift Between Main and Subordinated Readers

Check all Records (including deleted ones), 9999 records available in maximum

Date and time setting

DI (NC / NO) Setting

K1(Latch / Momentary) Setting

2. Configuration

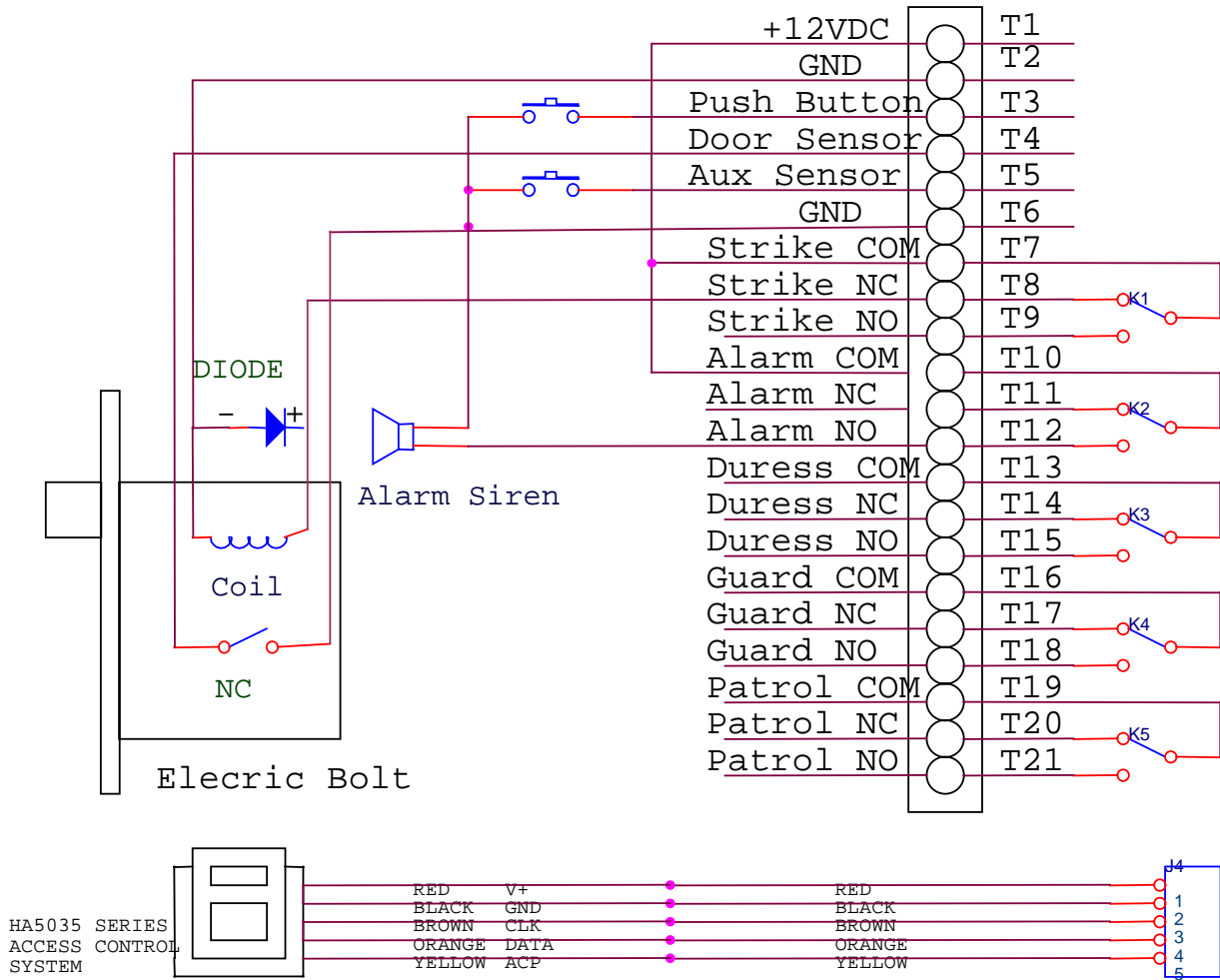
Voltage :	DC 10V to 15V
Power Consumption :	200mA Max @12VDC
Transporting Frequency :	125KHz
Reading Range :	Up to 10 cm (In noise-free environment)
Keyboard :	12 keys (0~9, *, #)
Indicator :	Double-color LED (Green/Red)
Memory :	512KByte SARM Allowable for saving up to 12,000 card holder / 14,000 data events
Connection Distance with Power :	150MeterMIN. (0.5mmCable Line)
Connection Distance with Subordinated Reader :	80MeterMIN. (0.5mmCable Line)
Weight :	312g MAX
Humidity :	30%~95% (No condensation)
Temperature :	5 ~45
Out Case Material :	ABS (UL94V0) fully waterproof
Dimension :	148mm (L) x 95mm (W) x 34 mm(H)
Communication Interface:	RS232 or RS485 Selectable
Power Capacity :	enable to reserve memory data and work in reader IC for over 2 months without power supply

3. Wiring

Color	Title	Function
Red	V+	+12VDC Voltage for card reader
Black	GND	Ground
Brown	CLK	"Clock" Signal on card reader
Orange	DATA	"Data" Signal on card reader
Yellow	ACP	AC Power Failure for Spare Battery, and no connection necessary with HB0312
Green	T-/TXD	RS485 T- or RS232 TXD
Blue	T+/RXD	RS485 T+ or RS232 RXD
Purple	DATA1	"WIEGAND data1" on subordinated reader
Gray	DATA0	"WIEGAND data0" on subordinated reader
White	LED	LED Signal Light on subordinated reader

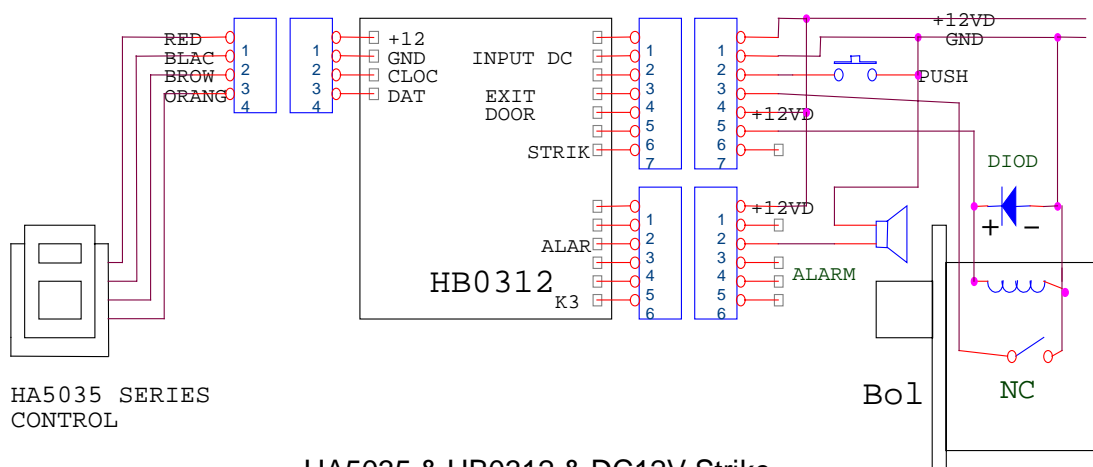
4. Installation

4-1 HA5035 and HP1506 refer to wiring :



HA5035 & HP1506 & DC12V strike

4-2 HA5035 and HB0312 refer to wiring :

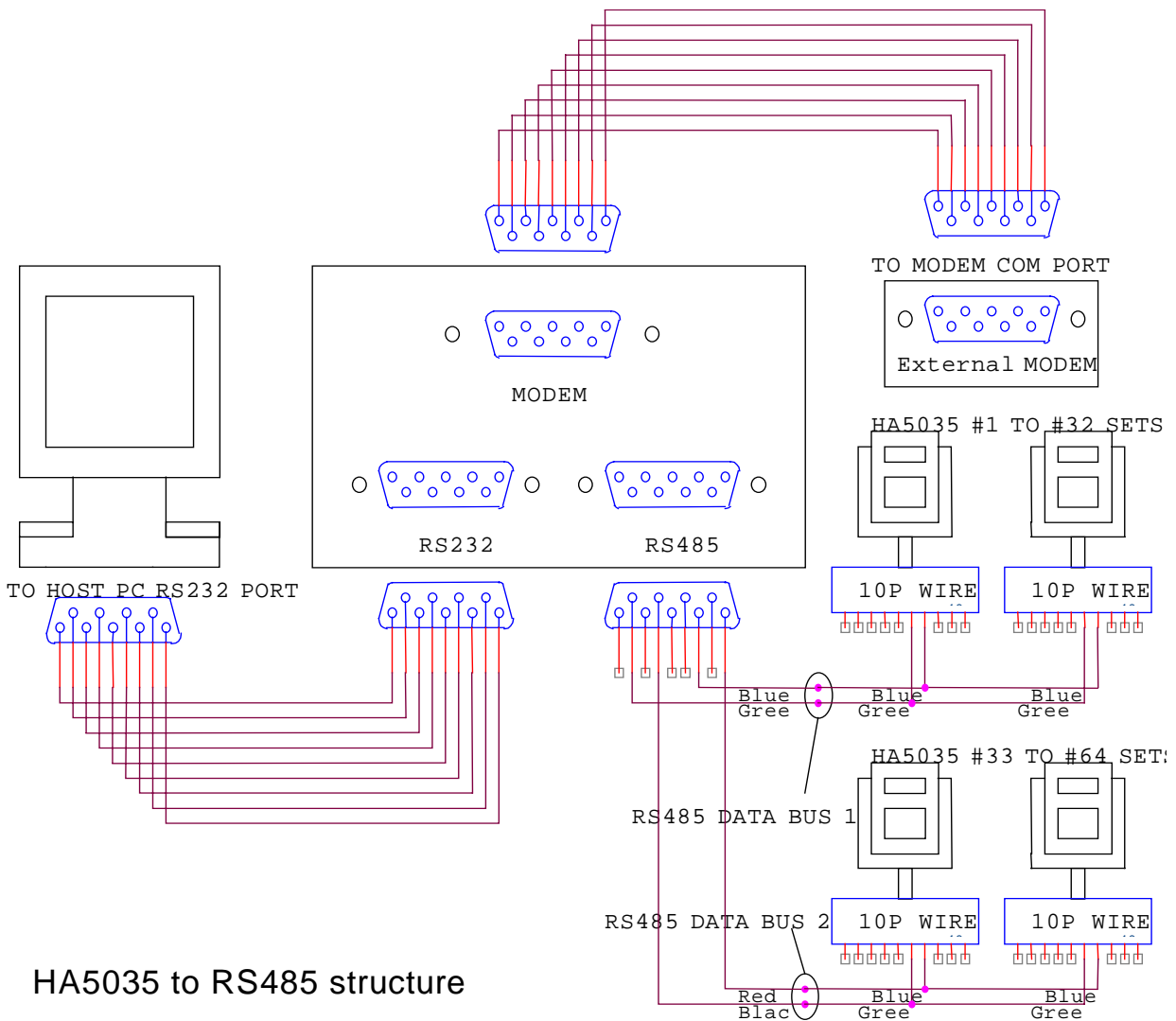


HA5035 & HB0312 & DC12V Strike

Installation notices for power modules **HB0312** or **HP1506** :

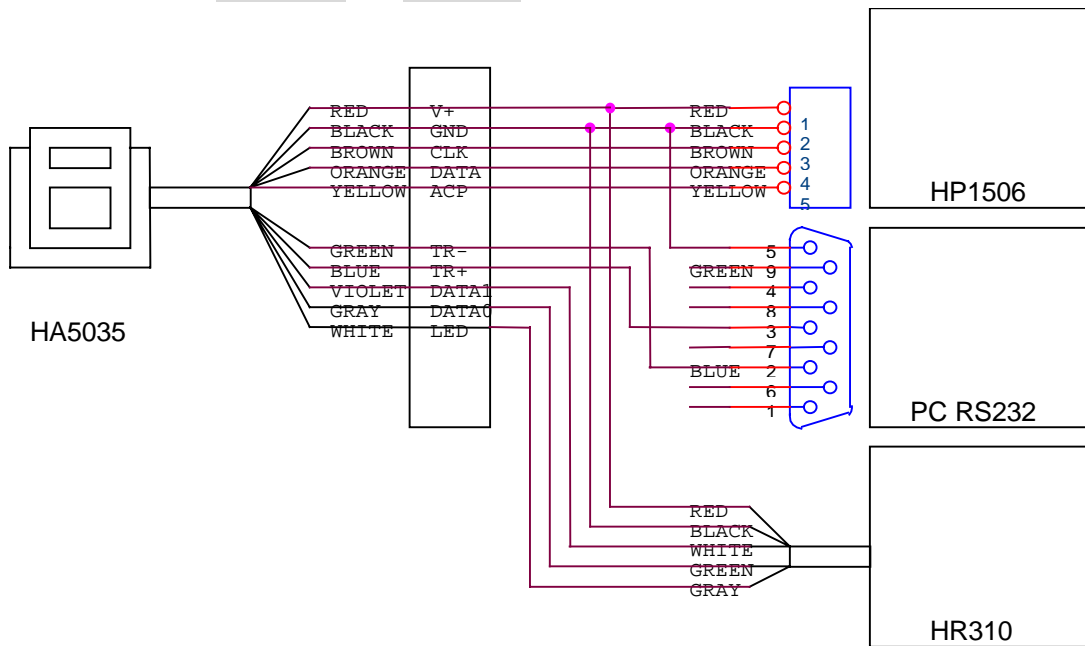
- Depending on types, power packs may be installed on the door or the ceiling with less than 100 meters(0.5mm cable) when applying five-code connection reader and power module
- Based on drive elements for connection, use connectors in appended pockets and connect to relevant places

4-3 Connection for **RS485** of **HA5035** :



HA5035 to RS485 structure

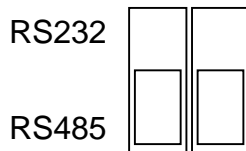
4-4 Connection for **RS232** of **HA5035** :



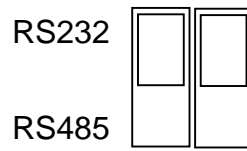
HA5035 to RS232 connecting

Notices :

- Shift between RS232 and RS485 signals may be done on Jump 1 and Jump 2 inside reader



RS485 mode



RS232 mode

- Associated with RS485 communication interface, HA5035 may be connected to 255 machines in maximum, and used with insulation twisted cable and controlled within 1000 meters for distance between each reader and PC
- Default Setting of HA5035 communication signal is RS485

【Chapter II】 Function setting mode

To adjust function setup, enter parameter setting mode (refer to Chapter II(2) parameter setting) to input correct password and then enter setting operation, or escape the setting menu back to the initial screen if password incorrect.

1. On line Access control parameter mode

(1) parameter setting table

Main function	Level 1	Level 2	Level 3	Level 4	Level 5
1.ENROL	1.ACCESS CARD				
	2.PATROL CARD	CARD_ENROL CARD_DELETE			
2.PASSWD	2.MAIN 3.DURESS 4.GUARD				
	4.COLOK	1.DATE_SETTING 2.TIME_SETTING			
3.TIMER	1.STRIKE 2.ALARM 3.DURESS 4.DOOR 5.PATROL(hide)				
4.SYSTEM	1.ALARM	1.TAMPER 2.FORCE			
		3.D-OPEN	1.FUNCTION 2.K2 ACTIVE		
	2.MODE	1.STRIKE			
		2.DI	1.EXIT BUTTON 2.DOOR 3.DI_3		
		3.DISP 4.TEST 5.OP_MODE(hide)			

4.SYSTEM	3.COMM	1.ADDRESS 2.BAUD 3.FORMAT			
		4.RECO.	1.REVIEW_RECORD 2.CLEAR_RECORD		
	4.OTHER	1.P_ZONE 2.E_ZONE			
		3.C_FREE	1.WHOLESYSTEM 2.PARTIAL		
		4.MORE	1.A_ZONE	1.ACCESS ZONE 1 2.ACCESS ZONE 2	
			2.ANTI_P	1.FUNCTION 2.TYPE	
			3.DURESS		
		4.MORE	1.READER	1.MAIN 2.SUB 3.SWAP	
		2.GUARD 3.V_DATE 4.PARK			

2. Stand alone Access Control Parameter mode

(1) parameter setting table

Main function	Level 1	Level 2	Level 3	Level 4	level 5
1.ENROL	1.ACCESS CARD	1.S_ADD 2.S_DEL 3.B_ADD 4.B_DEL			
	2.PATROL CARD	1.CRAD_ENROL 2.CARD_DELETE			
2.PASSWD	1.MAIN 2.DURESS 3.GUARD				
	4.CLOCK	1.DATE_SETTING 2.TIME_SETTING			

3.TIMER	1.STRIKE 2.ALARM 3.DURESS 4.DOOR 5.PATROL(hide)					
4.SYSTEM	1.ALARM	1.TAMPER 2.FORCE				
		3.D-OPEN	1.FUNCTION 2.K2 ACTIVE			
	2.MODE	1.STRIKE				
		2.DI	1.EXIT BUTTON 2.DOOR 3.DI_3			
		3.DISP 4.TEST 5.OP_MODE(hide)				
	3.COMM	1.ADDRESS 2.BAUD 3.FORMAT				
		4.RECO.	1.REVIEW_RECORD 2.CLEAR_RECORD			
	4.OTHER	1.C_FREE	1.WHOLE SYSTEM 2.PARTIAL			
		2.PIN				
		3.MORE	1.ANTI_PASSBACK	1.FUNCTION 2.TYPE		
			2.DURESS			
			3.MORE	1.READER 2.SUB 3.SWAP		
		2.GUARD 3.PARK				

【Chapter III】 Function check and basic operation

Simple operation check can get users aware of function setting and parameter modules

1. Basic function table

(1) **Vision check** :

Following below procedures to check machine type firmware vision and communication speed.

Function	Procedure	LCD display	Remark
Check Version	Startup screen	READY FOR CARD 2003/09/01 12:00	
	press '#' for 3 seconds	0.CHECK VERSION. 1.SET UP	press '*' to escape the screen
	press '0' and hold	HA5035 V: 1.11 ADDR:01 B: 9600	Machine type, firmware vision, serial number of reader, and communication speed
	Release the button	READY FOR CARD 2003/09/01 12:01	End up with operation and back to startup screen

(2) **Parameter setting** :

Following below steps, enter setting modules for firmwate parameters

Function	Procedure	LCD display	Remark
SET UP	Startup screen	READY FOR CARD 2003/09/01 12:00	
	press '#' for 3 seconds	0.CHECK VERSION. 1.SET UP	press '*' to escape the screen
	press '1' button	PASSWORD :	
	Enter the password : 1111	PASSWORD : * * * *	Enter parameter setting mode

(3) **Data check** :

Following the procedures, check the numbers of data events and enrolled cards holders in the reader

Function	Procedure	LCD display	Remark
Record check	Startup screen	READY FOR CARD 2003/09/01 12:00	
	press '#' for 3 seconds	0.CHECK VERSION. 1.SET UP	press '*' to escape the screen
	Press '2' and not release	RECORD: 100 CARD_H: 20	The number of data events and holders cards
	Release the button	READY FOR CARD 2003/09/01 12:01	End up with operation and back to startup screen

(4) **Card number check** :

Following the steps to check the data of card number

Function	Procedure	LCD display	Remark
Check Card No	Startup screen	READY FOR CARD 2003/09/01 12:00	
	press '#' for 3 seconds	0.CHECK VERSION. 1.SET UP	press '*' to escape the screen
	press '3' and sense the card for one time	CARD PLEASE 000256 <u>13335555</u>	Show the card code, and the last 8 digits as the correct card number
	press '#' to exit or automatically exit after 25 seconds	READY FOR CARD 2003/09/01 12:01	End up with operation and back to the start up screen

2. Basic operation

(1) **Door open** :

a. **Using proximity card to open door** :

Hold the enrolled card to approach the sensing face about 7-10 centimeter away and wait for Bi tone. When card data check as correct, LCD will show "WELCOME" with green light signaling, and STRIKE operates

b. **Proximity card + Personal password** :

After sensing the valid card, wait for Bi tone. When card data check as correct, LCD will show "PASSWORD", enter person password and press **#** button. After Bi tone, LCD shows "WELCOME" and green light signals. STRIKE operates.

c. **Card number open** :

Press *****, and LCD displays "CARD NO". Enter card number and press **#** button. Wait for Bi tone, and LCD shows "WELCOME" with green light signaling. STRIKE operates

d. **Card number + personal password open** :

Press *****, and LCD displays "CARD NO". Press card number and **#**, LCD shows "PASSWORD" . Then enter personal password and press **#** button, and LCD shows "WELCOME", with Bi tone and green light signal later. STRIKE operates.

e. **Exit button open** :

Press Exit button, the buzzer may not make any alarm, and when green light signals, STRIKE operates. Under arm protection, pressing exit button will disable guard with green light signaling. Strike operates and allows normal access.

(2) **Alarm disable** :

Alarm driven, LCD displays alarming status. Follow operation procedures to sense reader and disable alarm after Bi tone from the reader and green light signaling. Back to normal operation, and Strike works to allow ordinary access. If unable to disable alarm after above steps, please turn off power and then restart.

(3) **Door open too long alarm** :

Door open too long will drive alarm, which may be set on HA5035 reader for time

between 1 and 255 (preset as 20 seconds), also for Enable/Disable (preset as Disable). Door closing then automatically disable the alarm. Card opening may be also applied for disable of alarm, and temporarily in-effect the alarm till door close.

(4) **Force entering alarm** :

Without unlock the door through card reading or other methods, HA5035 may signal as “force entering alarm”. Upon driven, the alarm has to be discharged by card opening function. The alarm may be selected from Enable/Disable on the reader or computer (Default as Disable)

Force entering alarm driven, alarm Strike and alerting tones may commence, as well as record alarm type and date. Shifting power On before door completely close may not drive the alarm

(5) **Tamper alarm** :

Tiring down the upper cover of HA5035 may cause Tamper Alarm, which has to been discharged through card opening function, selectable from Enable/Disable on the reader (preset as Enable). Upon alarming, alarm Strike and alerting tones may commence, as well as record alarm type and date. Shifting power On before the upper cover completely closes may not drive the alarm

(6) **Emergency opening** :

Any time when emergency opening button is pressed, the reader will commence alarming and drive alarm and strike relays till release of the button. On latch mode, Strike may not recover with release of the button

(7) **Anti-passback** :

The function may be set with Enable/Disable on HA5035 (preset as Disable) It may work associated with “Exit Button” subordinated reader.

Anti-passback functions may include two modes :

TYPE_A : Control enter, but exclude exit (as preset mode)

The card which is sensed on the reader to open door, but not used on the subordinated reader for exit, may not be applied for door open on the reader again, but without any restriction for exit on the subordinated reader

TYPE_B : Control enter and exit

The card which is sensed on the reader to open door, but not used on the subordinated reader for exit, may not be applied for door open on the reader again. The same for using card number. When reloading card data to the reader, or re-login on the reader, the anti-passback will be preset as "entry allow".

(8) Patrol :

The reader may allow to enroll up to 50 patrol cards. When sensing the patrol card, the patrol relay (K5) of the reader will work within 1-255 seconds (drive time) or the setting period (preset as 1 second).

The patrol card enrolled for both door opening and patrol may be only used as patrol card.

The patrol card will be login only on the machine, instead of downloading from computers.

The login procedures for the patrol card is totally the same as that for door opening. The patrol card is excluded from holiday, time zone, password, and anti-passback controls.

Under arm protection, the patrol card is allowed for use.

The patrol card can not work by input of card number

On Enable of Anti-Passback control, the patrol card can be read on the subordinated reader.

(9) Security Arm / Disarm :

The security password of 4 digits can be pre-set in the reader (preset number as 1234, changeable). The user inputs the correct number and open the door to complete ARM or DISARM protection. DISARM operation will simultaneously work for the door opening.

Guard relay (K4) is shifted to "ON" for security protection, and "OFF" for disarm.

Under arm protection, force entry alarm is also on "Enable".

Under arm protection, the timer may take door opening only by "emergency door opening" or "exit" button or computers.

Under arm protection, the relay will be ordinarily driven by "emergency door opening" or "exit" button or computers, but ineffective for "door bypass", that is, pushing the door may drive force entry alarm at the time.

Arm protection may be shifted between Enable/Disable on HA5035 reader (preset as Disable)

On latch mode, the relay may not work even the arm protection is set as "Enable"

On shifted between main and subordinated readers, the function may not work even the arm protection is set as "Enable"

On terminating control status, the function may not work even the arm protection is set as "Enable" Under arm protection, relay function modes, shift between main and subordinated readers, and "Disable" arm function are not allowed to be changed.

Operation of arm protection will be under holiday, time zone, and password controls.

Operation of disarm protection will be also under holiday, time zone, password, and anti-passback controls.

Arm protection will not allow for sensing the card on the subordinated reader.

ARM / DISARM Operation

1. Read Card for door opening

X X X X # [read card]
└──────────────────┘ security password

2. Read Card and Press Personal Password for door opening

X X X X # [read card] X X X X #
└──────────────────┘ └──────────┘ personal password
└──────────────────┘ security password

3. Press Card number for door opening

X X X X # * [card number] #
└──────────────────┘ security password

4. Press card number and personal password for door opening

X X X X # * [card number] # X X X X #
└──────────────────┘ └──────────┘ personal password
└──────────────────┘ security password

(10) **Duress** :

The reader is set for a duress password of 3 digits (preset as 1 1 9, changeable). The user has to press the duress password when opening the door, and the reader drives both door lock relay and duress relay.

Drive time for the duress relay may be set on HA5035 reader between 1-255 seconds (preset as 5 seconds)

Duress function may be set as Enable/Disable on HA5035 (preset as Disable)

Duress function may not allow to sense the card on the subordinated reader.

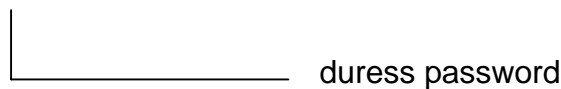
When shifted between main and subordinated readers, the function may not work even on Enable

Duress function is under holiday, time zone, password, and anti-passback controls.

Duress operation

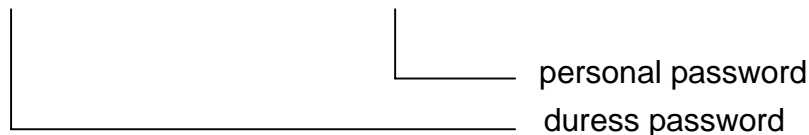
- 1、 Read card for door opening

X X X # [read card]



- 2、 Read card and personal password for door opening

X X X # [read card] X X X X #



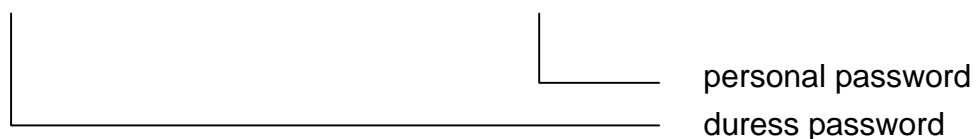
- 3、 Press card number for door opening

X X X # * [card number] #



- 4、 Press card number and personal password for door opening

X X X # * [card number] # X X X X #



(11) Access Mode :

TZ10 and TZ11 on HA5035 are reserved as access mode, in which zones door lock relay will be automatically driven, or “Unlock” the door for free access of personnel, but becomes ineffective during holidays. TZ11 and TZ10 are respectively ACCESS ZONE 1 and ACCESS ZONE 2, selectable as Enable/Disable on HA5035 (Preset as Disable).

Under arm protection, the function will automatically become ineffective.

(12) Dual Gate Driveway control :

The reader may be used for dual-gate driveway control. Upon setting for the function, the reader may make following changes :

- (a) When valid card is sensed on the exit subordinated reader, the reader will shift to drive K4 of HP1506 within the time simultaneously with K1.
- (b) Shifting between main and subordinated readers may not work.
- (c) Function of arm / disarm protection may not work
- (d) Light signal on subordinated reader may shift to follow K4 from K1
- (e) LCD shows [READY FOR PARK]

Under Arm protection, PARK flags may not be changed.

(13) Strike relay :

Operations of strike relay may include 3 modules, such as (1) Momentary_A mode (for Bolt, Strike), (2) Momentary_B mode (for EM lock), and (3) Latch mode, set allowable on HA5035 reader (preset as Momentary_A mode). Under momentary mode, the drive time for strike relay may be set on HA5035 from 1 to 255 seconds (preset as 5 seconds).

(14) Password :**a. Main Password :**

「 Main Password 」(4 digits) is used to edit parameters on the reader (preset as 1111, change allowable)

b. Spare Password :

The reader is prepared with the spare password, as 23400204 unchangeable, which is used to replace the Master Password to edit parameters on the reader and has to work associated with an enrolled proximity card.

c. **delete passwords** :

The reader is prepared with a set of password, used to delete all recorded passwords, as 0204 unchangeable.

(15) **Reading**

Card reading on the reader is through the way of sensing or approaching, that is, when the card is within 7 centimeters from the reader, the code in the card can be read.

The reader will be equipped with main reader, connectable with a subordinated reader. Both can be optional for AUTO, RM107, D 26Bits, or HR310 26Bits reader. AUTO mode is suitable for RM107 and HR310 (AUTO as preset for Main and Subordinated readers)

(16) **Shift between main and subordinated readers**

Usually, (preset) main reader is installed outside the door for entry control, while the subordinated is set inside the door for exit control. However, both can be shifted with each other under shifting function.

Under shifting between main and subordinated readers, function of personal password will be automatically closed.

(17) **Time zone**

The reader includes 14 time zone (TZ0-TZ13), 10 time zones for access control (TZ0-TZ9), 2 access mode zones (ACCESS ZONE) (TZ10 and TZ11), 1 personal password zone (TZ12) , and 1 exit button zone (TZ13).

(18) **Holiday table**

The preset holiday table is allowable for holiday access control (preset as non holiday)

(19) **Relay Function**

output and input

The reader can be equipped with output / input devices :

- 1. HP1506 power pack** : The reader can control 5 relays and catch statuses of 3 inputs on Power Pack of HP1506 through 2 signal cables , as well as 1 AC power failure (ACP) signal cable (ACP) to show power supply status on reader. Functions for 5 relays

- 1、 K1 Strike relay : control strike
- 2、 K2 Alarm relay : the relay will work for any of the following conditions, (1) Force entry, (2) Tamper, (3) failure of door close over the preset time (the alarm is selectable to drive the alarm relay), and (4) press the emergency exit button
- 3、 K3 Duress relay : work when the user inputs anti-duress password for door opening
- 4、 K4 Guard relay : work when the user set for ARM/DISARM protection
- 5、 K5 Patrol relay : work when the user use the patrol card during patrol

Functions of 3 inputs

- (1) DI_1 Exit button input : for exit
- (2) DI_2 door fan open/close input : to check door open or close
- (3) DI_3 emergency alarm

2 HB0312 RELAY BOARD : the reader controls 3 relays and catch statuses of 2 inputs on RELAY BOARD of HB0312 through 2 signal cables. Functions of 3 relays:

- 1、 K1, the same with K1 of HP1506
- 2、 K2, the same with K2 of HP1506
- 3、 K3, the same with K3, K4, or K5 of HP1506, and selectable by DIP switch of HB0312

Functions of 2 inputs

- (1)、 DI_1 Exit button input : for exit
- (2)、 DI_2 door fan open/close input : to check door open or close

(20) Others

Backlight LCD will automatically shutdown the power for energy save when not operated up to 3 minutes, and re-start by card sensing or any button press.

Each reader can be set with one machine number (from 1 to 255) as identification for multiple machine connection (preset as 1)

Communication format of reader and computer : O,7,1 N,8,1 N,8,2 selectable.

Default : O,7,1 Baud rate : 9600 or 19200 selectable. Default 9600.

Program upgrade can be done by PC Down Load

Save data of 12,000 card holders and 14,000 data transaction, with alarm when

Memory use up to over 90%

The card number is of 8 digits, and can be set with one personal password (4 digits) which is not recorded on the card.

Transported to the reader for all parameters and data, the reader may independently work under off-link with the computer.

Allow to directly enroll cards on HA5035 to facilitate on-site testing when installation.

There will be 25-second time out during password and card number input, and parameter setting.

Press [#] for continuous 3 seconds to enter the parameter check/edit menu.

Allow to check program type, program vision, card enrollment number, and record number.

【Chapter IV】 Description for error message

For any sensing error, HA5035 will show messages, and users may follow below descriptions to adjust it, or contact with technicians for un-resolved problems.

1. **Error message**

(1) **【E02】 INVALID DATE** **Holiday access control**

The message reminds the user who is not allowed to enter on holidays. Adjust parameters for holiday access in computer and download to the reader.

(2) **【E03】 INVALID TIME** **Time zone control**

The message reminds the user who is not allowed to enter in the time zones. Edit parameters for time zone control and download to the reader.

(3) **【E04】 INVALID CARD** **un-enrolled card**

The message reminds the user who is not enrolled for access card. Re-enroll in the computer and download to the reader.

(4) **【E05】 INVALID PASSWORD** **Password error**

The message reminds the user who enters false password. Re-confirm the password.

(5) **【E06】 ANTI-PASSBACK** **Anti-passback control**

The message reminds the user of anti-passback function enabled and not to follow correct steps to sense the card. Read the card on the subordinated reader and return to zero

(6) **【E07】 INVALID CARD NO.** **not specific card number**

The message shows usually for door opening by press card number. Re-confirm and re-enter the card number

(7) **【E08】 SYSTEM ARMED** **Arm protection**

The message shows the system under arm protection. Any card reading invalid without system disarm.

(8) **【E09】 INVALID CARD** **invalid card**

The message reminds the user who holds non-permitted access card. Confirm access permits of the card.

(9) **【E10】 Card Expire**

The reader allows expiry setting for access cards. For card expired, re-set the expiry.

(10) **【E99】 MEMORY FULL** **Memory full**

For data memory over 90%, the reader will remind with Bi Bi tone. Connect to the computer and save data in PC memory, or delete all

2. **record format**

1. door open card number+ : +date(year, month, day)+00+time(hour, minute, second)+?
2. passback card number+ : +date(year, month, day)+01+time(hour, minute, second)+?
3. holiday control card number+ : +date(year, month, day)+02+time(hour, minute, second)+?
4. time zone false card number+ : +date(year, month, day)+03+time(hour, minute, second)+?
5. card un-enrolled card number+ : +date(year, month, day)+04+time(hour, minute, second)+?
6. patrol card number+ : +date(year, month, day)+05+time(hour, minute, second)+?
7. duress card number+ : +date(year, month, day)+06+time(hour, minute, second)+?
8. arm rd card number+ : +date(year, month, day)+07+time(hour, minute, second)+?
9. subordinated reader card number+ : +date(year, month, day)+08+time(hour, minute, second)+?
10. disarm card number+ : +date(year, month, day)+09+time(hour, minute, second)+?
11. card expire card number+ : +date(year, month, day)+10+time(hour, minute, second)+?

12. tamper alarm record
= = = = = 1 + : +date(year, month, day)+00+ time(hour, minute, second)+?
13. force entry alarm record
= = = = = 2 + : + date(year, month, day)+00+ time(hour, minute, second)+?
14. delay-open alarm record
= = = = = 3 + : + date(year, month, day)+00+ time(hour, minute, second)+?
15. emergency open ON record
= = = = = 4 + : + date(year, month, day)+00+ time(hour, minute, second)+?

16.emergency open OFF record

= = = = = 5 + : + date(year, month, day)+00+ time(hour, minute, second)+?

17.computer command emergency open record

= = = = = 6 + : + date(year, month, day)+00+ time(hour, minute, second)+?

18.computer command emergency open disable record

= = = = = 7 + : + date(year, month, day)+00+ time(hour, minute, second)+?

【Chapter V】 Factory preset parameter

Door opening modes	Read card opening
Reader mode	On line access control
The address number of the reader	01
Band rate	9600
Communication format	0 , 7 , 1
Master Password	1111 (4 digits)
Guard Password	1234 (4 digits)
Duress Password	119 (3 digits)
Anti-duress	(Disable)
Anti-passback	(Disable)
Patrol	(ENable), necessary with patrol card
Arm	(Disable)
Force entry alarm	(Disable)
Delay open inspection time	20 seconds
Delay open alarm	(Disable)
Patrol relay drive time	5 seconds
Strike relay drive time	5 seconds
Alarm relay drive time	10 seconds
Anti-duress relay drive time	5 seconds
Door fan open/ close inspection	NO