

TM
KORYO



USER'S MANUAL



KMC 2522IAM
Multimate
CONVECTION
MICROWAVE OVEN



Please read these instructions carefully before installing and operating the oven.

CONTENT

PRECAUTIONS TO AVOID POSSIBLE EXPOSURE TO EXCESSIVE MICROWAVE ENERGY.....	3
IMPORTANT SAFETY INSTRUCTIONS.....	4
SPECIFICATIONS*	5
INSTALLATION	5
RADIO INTERFERENCE.....	5
GROUNDING INSTRUCTIONS	6
MICROWAVE COOKING PRINCIPLES.....	6
BEFORE YOU CALL FOR SERVICE.....	6
UTENSILS GUIDE.....	7
PART NAMES.....	8
CONTROL PANEL.....	9
HOW TO SET THE OVEN CONTROLS.....	10
SETTING DIGITAL CLOCK.....	10
MICROWAVE COOKING	10
GRILL COOKING	11
COMBINATION COOKING	11
MULTI-STAGE COOKING.....	11
CONVECTION.....	12
MICROWAVE+CONVECTION	12
DEFROST	13
QUICK START.....	13
AUTO COOK	13
STEAM CLEAN	15
DEODORIZE	15
KEEP WARM.....	15
CHILD LOCK.....	15
CLEANING AND CARE.....	16
E-WASTE DISPOSAL	17
WARRANTY	18

PRECAUTIONS TO AVOID POSSIBLE EXPOSURE TO EXCESSIVE MICROWAVE ENERGY

1. Do not attempt to operate this oven with the door open since open door operation can result in harmful exposure to microwave energy. It is important not to defeat or tamper with the safety interlocks.
2. Do not place any object between the oven front face and the door or allow soil or cleaner residue to accumulate on sealing surfaces.
3. Do not operate the oven if it is damaged. It is particularly important that the oven door close properly and that there is no damage to the
 - a. Door (bent),
 - b. Hinges and latches (broken or loosened),
 - c. Door seals and sealing surfaces.
4. The oven should not be adjusted or repaired by anyone except company authorised service personnel.

IMPORTANT SAFETY INSTRUCTIONS

When using electrical appliance basic safety precautions should be followed, including the following:

WARNING: To reduce the risk of burns, electric shock, fire, injury to persons or exposure to excessive microwave energy:

1. Read all instructions before using the appliance.
2. Use this appliance only for its intended use as described in this manual. Do not use corrosive chemicals or vapors in this appliance. This type of oven is specifically designed to heat, cook or dry food. It is not designed for industrial or laboratory use.
3. Do not operate the oven when empty.
4. Do not operate this appliance if it has a damaged cord or plug, if it is not working properly or if it has been damaged or dropped. If the supply cord is damaged, it must be replaced by the manufacturer or its service agent or a similarly qualified person in order to avoid a hazard.
5. **WARNING:** Only allow children to use the oven without supervision when adequate instructions have been given so that the child is able to use the oven in a safe way and understands the hazards of improper use.
6. **WARNING:** When the appliance is operated in the combination mode, children should only use the oven under adult supervision due to the temperatures generated.
7. To reduce the risk of fire in the oven cavity:
 - a. When heating food in plastic or paper container, keep an eye on the oven due to the possibility of ignition.
 - b. Remove wire twist-ties from paper or plastic bags before placing bag in oven.
 - c. If smoke is observed, switch off or unplug the appliance and keep the door closed in order to stifle any flames.
 - d. Do not use the cavity for storage purposes. Do not leave paper products, cooking utensils or food in the cavity when not in use.
8. **WARNING:** Liquid or other food must not be heated in sealed containers since they are liable to explode.
9. Microwave heating of beverage can result in delayed eruptive boiling, therefore care has to be taken when handle the container.
10. Do not fry food in the oven. Hot oil can damage oven parts and utensils and even result in skin burns.
11. Eggs in their shell and whole hard-boiled eggs should not be heated in microwave ovens since they may explode even after microwave heating has ended.
12. Pierce foods with heavy skins such as potatoes, whole squashes, apples and chestnuts before cooking.
13. The contents of feeding bottles and baby jars should be stirred or shaken and the temperature should be checked before serving in order to avoid burns.
14. Cooking utensils may become hot because of heat transferred from the heated food. Potholders may be needed to handle the utensil.
15. Utensils should be checked to ensure that they are suitable for use in microwave oven.
16. **WARNING:** It is hazardous for anyone other than a trained person to carry out any service or repair operation which involves the removal of any cover which gives protection against exposure to microwave energy.
17. This product is a Group 2 Class B ISM equipment. The definition of Group 2 which contains all ISM (Industrial, Scientific and Medical) equipment in which radio-frequency energy is intentionally generated and/or used in the form of electromagnetic radiation for the treatment of material, and spark erosion equipment. For Class B equipment is equipment suitable for use in domestic establishments and in establishments directly connected to a low voltage power supply network which supplies buildings used for domestic purpose.
18. This appliance is not intended for use by persons (including children) with reduced physical, sensory or mental capabilities, or lack of experience and knowledge, unless they have been given supervision or instruction concerning use of the appliance by a person responsible for their safety.
19. Children should be supervised to ensure that they do not play with the appliance.

SPECIFICATIONS

Power Consumption	230V~50Hz, 1400W (Microwave), 1950W (Convection), 1000W (Grill)
Rated Microwave Power Output	900W
Operation Frequency	2450MHz
Outside Dimensions	281mm(H)×483mm(W)×415mm(D)
Oven Cavity Dimensions	220mm(H)×340mm(W)×344mm(D)
Oven Capacity	25Litres
Cooking Uniformity	Turntable System
Net Weight	Approx.16kg

INSTALLATION

1. Make sure that all the packing materials are removed from the inside of the door.
2. **WARNING:** Check the oven for any damage, such as misaligned or bent door, damaged door seals and sealing surface, broken or loose door hinges and latches and dents inside the cavity or on the door. If there is any damage, do not operate the oven and contact company authorised service personnel.
3. This microwave oven must be placed on a flat, stable surface to hold its weight and the heaviest food likely to be cooked in the oven.
4. Do not place the oven where heat, moisture, or high humidity are generated, or near combustible materials.
5. For correct operation, the oven must have sufficient airflow. Allow 20cm of space above the oven, 10cm at back and 5cm at both sides. Do not cover or block any openings on the appliance. Do not remove feet.
6. Do not operate the oven without glass tray, roller support, and shaft in their proper positions.
7. Make sure that the power supply cord is undamaged and does not run under the oven or over any hot or sharp surface.
8. The socket must be readily accessible so that it can be easily unplugged in an emergency.
9. Do not use the oven outdoors.

RADIO INTERFERENCE

Operation of the microwave oven can cause interference to your radio, TV, or similar equipment.

When there is interference, it may be reduced or eliminated by taking the following measures:

1. Clean door and sealing surface of the oven.
2. Reorient the receiving antenna of radio or television.
3. Relocate the microwave oven with respect to the receiver.
4. Move the microwave oven away from the receiver.
5. Plug the microwave oven into a different outlet so that microwave oven and receiver are on different branch circuits.

GROUNDING INSTRUCTIONS

This appliance must be grounded. This oven is equipped with a cord having a grounding wire with a grounding plug. It must be plugged into a wall receptacle that is properly installed and grounded. In the event of an electrical short circuit, grounding reduces risk of electric shock by providing an escape wire for the electric current. It is recommended that a separate circuit serving only the oven be provided. Using a high voltage is dangerous and may result in a fire or other accident causing oven damage.

WARNING Improper use of the grounding plug can result in a risk of electric shock.

Note

1. If you have any questions about the grounding or electrical instructions, consult a qualified electrician or service person.
2. Neither the manufacturer nor the dealer can accept any liability for damage to the oven or personal injury resulting from failure to observe the electrical connection procedures.

The wires in this cable main are colored in accordance with the following code:

Green and Yellow = EARTH

Blue = NEUTRAL

Brown = LIVE

MICROWAVE COOKING PRINCIPLES

1. Arrange food carefully. Place thickest areas towards outside of dish.
2. Watch cooking time. Cook for the shortest amount of time indicated and add more as needed. Food severely overcooked can smoke or ignite.
3. Cover foods while cooking. Covers prevent spattering and help foods to cook evenly.
4. Turn foods over once during microwaving to speed cooking of such foods as chicken and hamburgers. Large items like roasts must be turned over at least once.
5. Rearrange foods such as meatballs halfway through cooking both from top to bottom and from the center of the dish to the outside.

BEFORE YOU CALL FOR SERVICE

If the oven fails to operate:

1. Check to ensure that the oven is plugged in securely. If it is not, remove the plug from the outlet, wait 10 seconds, and plug it in again securely.
2. Check for a blown circuit fuse or a tripped main circuit breaker. If these seem to be operating properly, test the outlet with another appliance.
3. Check to ensure that the control panel is programmed correctly and the timer is set.
4. Check to ensure that the door is securely closed engaging the door safety lock system. Otherwise, the microwave energy will not flow into the oven.

IF NONE OF THE ABOVE RECTIFIES THE SITUATION, THEN CONTACT A COMPANY AUTHORISED TECHNICIAN. DO NOT TRY TO ADJUST OR REPAIR THE OVEN YOURSELF.

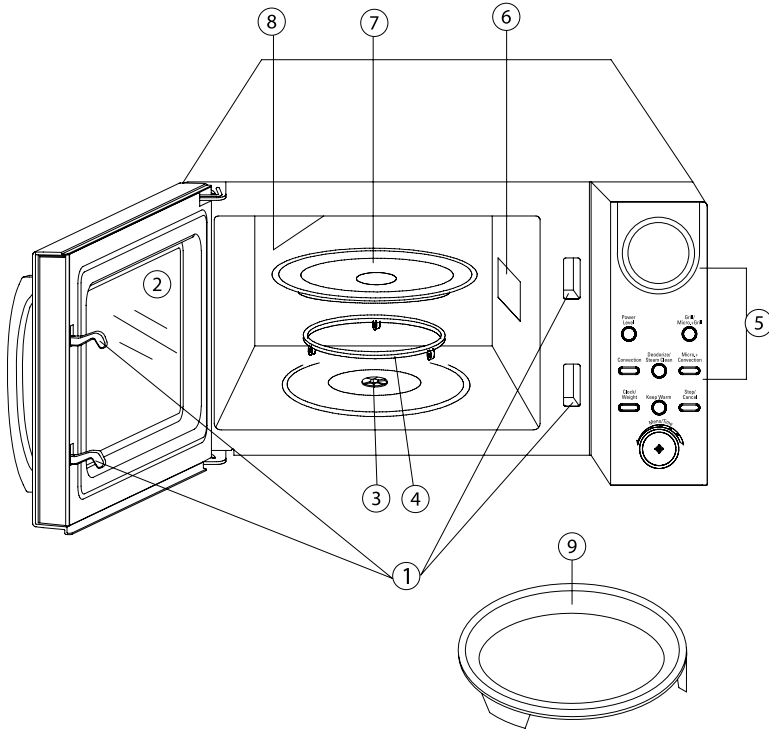
UTENSILS GUIDE

1. The ideal material for a microwave utensil is transparent to microwave, it allows energy to pass through the container and heat the food.
 2. Microwave can not penetrate metal, so metal utensils or dishes with metallic trim should not be used.
 3. Do not use recycled paper products when microwave cooking, as they may contain small metal fragments which may cause sparks and/or fires.
 4. Round /oval dishes rather than square/ oblong ones are recommend, as food in corners tends to overcook.
 5. Narrow strips of aluminum foil may be used to prevent overcooking of exposed areas. But be careful don't use too much and keep a distance of 1 inch (2.54cm) between foil and cavity.
- The list below is a general guide to help you select the correct utensils.

Cookware	Microwave	Grill	Convection	Combination*
Heat-Resistant Glass	Yes	Yes	Yes	Yes
Non Heat-Resistant Glass	No	No	No	No
Heat-Resistant Ceramics	Yes	Yes	Yes	Yes
Microwave-Safe Plastic Dish	Yes	No	No	No
Kitchen Paper	Yes	No	No	No
Metal Tray	No	Yes	Yes	No
Metal Rack	No	Yes	Yes	No
Aluminum Foil & Foil Container	No	Yes	Yes	No

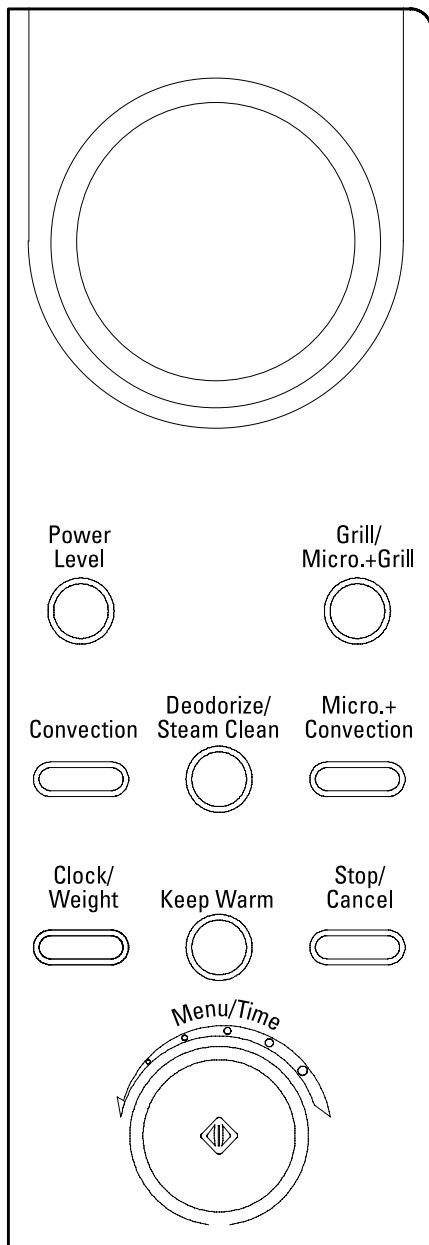
* Combination: applicable for both “microwave + grill”, and “microwave + convection” cooking.

PART NAMES



1. Door Safety Lock System
2. Oven Window
3. Shaft
4. Roller Ring
5. Control Panel
6. Wave Guide
(Please do not remove the mica plate covering the wave guide)
7. Glass Tray
8. Grill Heater
9. Baking Plate

CONTROL PANEL



MENU ACTION SCREEN

- Cooking time, power, action indicators, and clock time are displayed.

POWER LEVEL

- Touch this button a number of times to set microwave cooking power level.

GRILL/ MICRO.+GRILL

- Use to set a grill cooking program.
- Use to set a microwave and grill combination cooking program.

CONVECTION

- Used to set a convection cooking program.
- Deodorize

MICRO.+CONVECTION

- Used to set a microwave and convection combination cooking program.

CLOCK / WEIGHT

- Press a number of times to specify weight or number of serving.
- Press and hold to set the clock.

KEEP WARM

- Press to set keep warm function.

STOP/CANCEL

- Press to cancel setting or reset the oven before Stop setting a cooking program.
- Press once to temporarily stop cooking, or twice to cancel cooking altogether.
- It is also used for setting child lock.

START/QUICK START (THE DIAL)

- Touch to start a cooking program.
- Simply touch it a number of times to set cooking time and the oven will cook immediately at full power level.

MENU/TIME

- Turn the dial to input cooking time,
- Select the kind of food you want to cook.

HOW TO SET THE OVEN CONTROLS

Each time a button is touched, a beep will sound to acknowledge the touch.

During cooking program, press STOP/CANCEL to pause the program, then press START/QUICK START to resume. Press STOP/CANCEL twice to cancel the program.

End will display with beeps to remind the program is over, and it will sound every two minutes until you press any pad or open the door.

SETTING DIGITAL CLOCK

It is a 12-hour or 24-hour clock. With the oven ready for input, touch the CLOCK/ WEIGHT button once to set the digital clock.

FOR EXAMPLE: Suppose you want to set the oven clock time to 8:30.

1. In waiting mode, press CLOCK / WEIGHT button to choose the cycle.
2. Turn MENU/TIME to indicate the hour digit 8.
3. Press CLOCK / WEIGHT button.
4. Turn MENU/TIME dial to indicate the minute digits until the screen shows 8: 30.
5. Press CLOCK / WEIGHT to confirm the setting.

Note: During cooking, press CLOCK / WEIGHT button to check the clock time.

MICROWAVE COOKING

To cook with microwave, time and power level should be set. The longest cooking time to be set is 95 minutes

Suppose you want to cook for 5 minutes at 60% of microwave power.

1. In waiting mode, place food into oven and close it.
2. Touch POWER LEVEL button 5 times.
3. Use the MENU/TIME to set cooking time (5 minute).
4. Touch START/QUICK START button.

Note: during cooking, press POWER LEVEL to show power level.

Press POWER LEVEL button to select cooking power		
Press	Power	Description
Once	100%	High
Twice	90%	
3 times	80%	
4 times	70%	Medium High
5 times	60%	
6 times	50%	Medium
7 times	40%	
8 times	30%	Med. Low
9 times	20%	
10 times	10%	Low
11 times	00%	

GRILL COOKING

The longest cooking time is 95 minutes. The grill cooking is particularly useful for thin slices of meat, steaks, chops, kebabs, sausages or piece of chicken. It is also suitable for hot sandwiches and au gratin dishes.

For example, suppose you want to grill for 12 minutes.

1. In waiting mode, place food into oven and close it.
2. Press GRILL/MICRO.+GRILL button once.
3. Turn the MENU/TIME to 12:00.
4. Press START/QUICK START button.

COMBINATION COOKING

Combination1:

The longest cooking time is 95 minutes. Use for fish or au gratin.

FOR EXAMPLE: Suppose you want to set combination 1 cooking for 25 minutes.

1. In waiting mode, place food into oven and close it.
2. Press GRILL/MICRO.+GRILL button twice.
3. Turn Menu/Time to 25:00.
4. Press START/QUICK START button.

Combination2:

The longest cooking time is 95 minutes.

Use for puddings omelettes, baked potatoes and poultry.

FOR EXAMPLE: Suppose you want to set combination 2 cooking for 12 minutes.

1. In waiting mode, place food into oven and close it.
2. Press GRILL/MICRO.+GRILL button 3 times.
3. Turn MENU/TIME to 12:00.
4. Press START/QUICK START button.

MULTI-STAGE COOKING

Your oven can be programmed for up to 3 automatic cooking sequences.

Suppose you want to set the following cooking program.

Microwave cooking

↓

Convection cooking (without preheat function)

1. In waiting mode, place food into oven and close it.
2. Press POWER LEVEL button to set power level.
3. Rotate the MENU/TIME dial to program cooking time.
4. Press CONVECTION button to set convection temperature.
5. Rotate the MENU/TIME dial to program cooking time.
6. Press START/QUICK START button.

Note: The digital tube will display 1S, 2S or 3S according to different stage setting. Quick start, auto cook, steam clean, deodorize, keep warm, preheat and cook with convection, defrost and auto menu cannot be set in multi-stage cooking program.

CONVECTION

During convection cooking, hot air is circulated throughout the oven cavity to brown and make crisp foods quickly and evenly. This oven can be programmed for ten different cooking temperatures.

To Cook with Convection

Press Convection button to set convection temperature. (200°C --- 110°C)

Suppose you want to cook at 170°C for 40 minutes.

1. In waiting mode, place food into oven and close it.
2. Press CONVECTION button to select cooking temperature.
3. Rotate the MENU/TIME dial until the correct cooking time is displayed.
4. Press START/QUICK START button.

NOTE:

1. The maximum convection cooking time is 95 minutes.
2. You can check the convection temperature while cooking is in progress by pressing the CONVECTION button.

To Preheat and Cook with Convection

Your oven can be programmed to combine preheating and convection cooking operations.

Suppose you want to preheat to 150°C and then cook 30 minutes.

1. In waiting mode, press CONVECTION button to select cooking temperature.
2. Press START/QUICK START. When the oven reaches the programmed temperature, one beep will sound every 5 seconds.
3. Open the door and place container of food at the center of the turntable.
4. Rotate the MENU/TIME dial to program cooking time (30 minutes).
5. Press START/QUICK START button.

Note: The longest preheat time is 30 minutes. When the temperature reaches the preheat temperature, the countdown stop with sound DE- and keep the state for 30 minutes. If don't open the oven door within the 30 minutes, the system will stop automatically with END in display.

MICROWAVE+CONVECTION

This oven has four pre-programmed settings that make it easy to cook with both convection heat and microwave automatically.

Press Micro+Convection button to select convection temperature (110°C~200°C).

Suppose you want to bake a cake for 24 minutes on 140°C.

1. In waiting mode, place food into oven and close it.
2. Press MICRO. + CONVECTION button to select cooking temperature.
3. Rotate the MENU/TIME dial to program cooking time.
4. Press START/QUICK START button to start.

Note: The maximum cooking time is 95 minutes. You can check the convection temperature while cooking is in progress by pressing the MICRO. +CONVECTION button.

WEIGHT & DEFROST

FOR EXAMPLE: Suppose you want to defrost shrimp.

1. In waiting mode, place the shrimp to be defrosted into the oven.
2. Rotate MENU/TIME anti-clockwise to select cooking code 8 for defrost.
3. Press CLOCK / WEIGHT to enter food weight (100g~1800g).
4. Rotate the MENU/TIME dial to program defrosting time.
5. Press START/ QUICK START button.

Note: The maximum defrosting time you can enter is 95 minutes. During defrosting program, the system will pause and sound beeps to remind user to turn food over, and then press START/ QUICK START to resume the defrosting.

QUICK START

This feature allows you to start the oven quickly with full power level.

In waiting mode, press the START/QUICK START button a number of times to set the cooking time (maximum 10 min.), the oven starts work at full power level immediately. During cooking program, you can press START/QUICK START to add cooking time.

AUTO COOK

For food or the following cooking mode, it is not necessary to program the duration and the cooking power. It is sufficient to indicate the type of food that you wish to cook as well as the weight of this food.

You may need to turn food over at the middle of cooking time to obtain uniform cooking.

For example, to cook 3 units of potato.

1. In standby mode, turn MENU/TIME anti-clockwise once and then continue turn the dial to select cooking code of potato.
2. Press CLOCK / WEIGHT to indicate potato's numbers you want to cook.
3. Press START/QUICK START button.

Auto Cook Menu

Code	Display	Food (wt/qty)	Note : As you press CLOCK / WEIGHT button once or repeatedly, number of servings or weight parameters will appear on screen, select the one equal to the weight of food you have placed in the oven. The result of auto cooking depends on factors such as voltage fluctuation, the shape and size of food, your personal preference as to the doneness of certain foods and even how well you happen to place food in the oven. If you find the result at any rate not quite satisfactory, please adjust the cooking time a little bit accordingly.
AC1	A1	Gajar Ka Halwa (g)	
AC2	A 2	Nariyal Burfi (g)	
AC3	A 3	Desert- Kheer (g)	
AC4	A 4	Desert Choco pudding (g)	
AC5	A5	Coconut Kheer (g)	
AC6	A6	Suji Halwa (g)	
AC7	b 1	Makai Ka Soup(g)	
AC8	b 2	Tomato Soup (share)	
AC9	b 3	Vegetable Soup(share)	
AC10	b 4	Aam Panna (share)	
AC11	SN1	Tikki Aloo (g)	
AC12	SN2	French Fries (g)	
AC13	SN3	Khandvi (g)	

Code	Display	Food (wt/qty)
AC14	SN4	Dhokla (g)
AC15	SN5	Idlis (4 nos / 8 nos.)
AC16	SN6	Sprouts (g)
AC17	SN7	Spicy mutton curry (g)
AC18	SN8	Fish-steamed (g)
AC19	C1	Noodles (g)
AC20	C2	Pasta (g)
AC21	C3	Fish-Steamed (g)
AC22	C4	Macaroni-Baked (g)
AC23	C5	Baked fruit salad (g)
AC24	C6	Fruit Jam (g)
AC25	C7	Cheese Balls(g)
AC26	C8	Nan Khatai(g)
AC27	CA	Desert Truffle Cake(g)
AC28	E1	Pav Bhajji(g)
AC29	E2	Chinese Chicken(g)
AC30	E3	Dal ke Kabab(g)
AC31	E4	Grilled Veg(g)
AC32	E5	Baked fruit salad(g)
AC33	E6	Poha(g)
AC34	E7	Pizza(g)
AC35	G1	Garlic Chicken(g)
AC36	G2	Tasty Chicken(g)
AC37	G3	Tandoori Chicken Masala (g)
AC38	G4	Paneer Tikka-Tandoor (g)
AC39	G5	Grill Sandwich (share)
AC40	G6	Tandoori Fish (g)
AC41	G7	Aaloo Tandoor Se (g)
AC42	G8	Grilled Chicken (g)
AC43	L1	Masala Aloo (g)
AC44	L2	Kadi (g)
AC45	L3	Masala Bhindi (g)
AC46	L4	Prawn Curry Masala (g)
AC47	L5	Spicy Mutton curry (g)
AC48	L6	Pyaj Chawal (g)
AC49	L7	Spicy chicken Masala (g)
AC50	L8	Mutton Biryani (g)

STEAM CLEAN

In waiting mode, press DEODORIZE/STEAM CLEAN once. The default time is 5 minutes, then press START/QUICK START to start the setting. The system will work by 100% power.

DEODORIZE

In waiting mode, press DEODORIZE/STEAM CLEAN once. The default time is 5 minutes, then press START/QUICK START to start the setting. The system will work by 100% power in first minute and 0% power in last 4 minutes.

KEEP WARM

In waiting mode, press KEEP WARM once. You can turn the MENU/TIME dial to set the keep warm time. The maximum is 95 minutes. The system will work by 50% power.

CHILD LOCK

Use to prevent unsupervised operation of the oven by little children. The CHILD LOCK indicator will show up on display screen, and the oven cannot be operated while the CHILD LOCK is set.

To set the CHILD LOCK: Press and hold the STOP/CANCEL button for 3 seconds, a beep sounds and LOCK indicator lights.

To cancel the CHILD LOCK: Press and hold the STOP/CANCEL button for 3 seconds until lock indicator on display goes off.

AUTOMATIC PROTECTION MECHANISM

Digital tube has been shows “E -1” and had been “DE-DE” alarm when the system into the super high temperature protection status. The system into normal standby mode when faults remove and press Stop/Cancel button.

Digital tube has been shows “E -2” and had been “DE-DE” alarm when the system enters into the super low temperature protection status. The system enters into normal standby mode when faults remove and press STOP/CANCEL button.

Error may also occur to the system sensor, which will make the oven enter into protection mode with the screen displaying E03, and beeps can be heard. As soon as this malfunction disappears by pressing Stop/Cancel, the oven will back to normal.

COOLING FEATURE—The controlling system of the microwave oven has the feature of cooling. As for any cooking mode which cooking time above 2 minutes, after finishing cooking, the oven fan will work about 3 minutes automatically to cool the oven for prolonging the life of the oven.

CLEANING AND CARE

1. Turn off the oven and remove the power plug from the wall socket before cleaning.
2. Keep the inside of the oven clean. When food splatters or spilled liquids adhere to oven walls, wipe with a damp cloth. Mild detergent may be used if the oven gets very dirty. Avoid the use of spray and other harsh cleaners as they may stain, streak or dull the door surface.
3. The outside surfaces should be cleaned with a damp cloth. To prevent damage to the operating parts inside the oven, water should not be allowed to seep into the ventilation openings.
4. Wipe the door and window on both sides, the door seals and adjacent parts frequently with a damp cloth to remove any spills or splatters. Do not use abrasive cleaner.
5. Do not allow the control panel to become wet. Clean with a soft, damp cloth. When cleaning the control panel, leave oven door open to prevent oven from accidentally turning on.
6. If steam accumulates inside or around the outside of the oven door, wipe with a soft cloth. This may occur when the microwave oven is operated under high humidity condition. And it is normal.
7. It is occasionally necessary to remove the glass tray for cleaning. Wash the tray in warm sudsy water or in a dishwasher.
8. The roller ring and oven floor should be cleaned regularly to avoid excessive noise. Simply wipe the bottom surface of the oven with mild detergent. The roller ring may be washed in mild sudsy water or dishwasher. When removing the roller ring from cavity floor for cleaning, be sure to replace in the proper position.
9. Remove odors from your oven by combining a cup of water with the juice and skin of one lemon in a deep microwaveable bowl, microwave for 5 minutes. Wipe thoroughly and dry with a soft cloth.
10. When it becomes necessary to replace the oven light, please consult a dealer to have it replaced.
11. The oven should be cleaned regularly and any food deposits removed. Failure to maintain the oven in a clean condition could lead to deterioration of the surface that could adversely affect the life of the appliance and possibly result in a hazardous situation.
12. Please do not dispose this appliance into the domestic rubbish bin; it should be disposed to the particular disposal center provided by the municipalities.
13. When the microwave oven with grill function is first used, it may produce slight smoke and smell. This is a normal phenomenon because the oven is made of a steel plate coated with lubricating oil, and the new oven will produce fumes and odor generated by burning the lubricating oil. This phenomenon will disappear after a period of using.

E-WASTE DISPOSAL



This symbol on the product or on the container indicates that this product cannot be eliminated with the general waste. The user is responsible for eliminating this kind of waste by throwing them away at a “recycling point” specifically for electrical and electronic waste. Selective collection and electrical equipment recycling contribute to preserve natural resources and warrant waste recycling to protect environment and health. In order to receive further information about electrical and electronic waste collecting and recycling, contact your Local Council, the service of household waste or the establishment where the product was acquired.

WARRANTY

This product comes with a warranty of 12 months from the date of purchase as specified on the warranty card. This is against all defective material or workmanship. In the event of a defect, Future Retail Limited or Koryo Authorized Service Centre undertakes to repair the set, free of charge, during the warranty period.

In the event of a defect developing in the product, contact KORYO Customer Care or Koryo Authorized Service Centre and provide information about the defect, the model number and serial number of the product.

THIS WARRANTY IS VOID IF

1. The completely filled warranty card is not presented to the authorised personnel at the time of servicing of the product.
2. The product is not operated according to the instructions given in the user manual.
3. Defects are caused by improper or reckless use.
4. Modifications or alterations have been made to the product or if the product has been tampered with, in any manner whatsoever.
5. Repairs to the product are carried out by anyone other than an authorised company representative.
6. For defects other than faulty parts or workmanship such as damage due to lightning, abnormal voltage, spillages, dust, accidental damage, etc.
7. The serial number is deleted or altered.
8. Used for any non-domestic purpose.

OTHER TERMS AND CONDITIONS

1. Repairs or replacement will be carried out either by a Future Retail Limited authorised customer care centre or by a representative.
2. All expenses incurred in collecting the unit(s) or part(s) thereof from the Customer Service Centre, as well as any other expenses and incidentals will be borne by the customer.
3. Whilst the company will make every effort to carry out repairs at the earliest, it is made expressly clear that the company is under no obligation to do so in a specified period of time.
4. The company or its authorised customer centre reserves the right to retain any part(s) or component(s) replaced at its discretion, in the event of a defect being noticed in the equipment during the warranty

WARRANTY CARD



WARRANTY CARD

THIS CARD IS VALID ONLY IF IT IS FILLED IN COMPLETELY, SIGNED AND STAMPED BY THE DEALER ON DATE OF PURCHASE

MODEL NO : _____ SERIAL NO : _____

CUSTOMER NAME : _____

ADDRESS : _____

PHONE NO : RESIDENCE : _____ OFFICE : _____

INVOICE/CASH BILL NO : _____

DATE OF PURCHASE : _____

CUSTOMER SIGNATURE : _____

DEALER'S STAMP

* For service request kindly contact Customer Care Centre at : 1800-425-7722, 080-26577722

* Please mail in queries to feedback@koryoworld.com



Also Available

Convection MW Ovens	Slow Juicer	Split Air Conditioner
Grill MW Ovens	Juicer Mixer Grinder	Window Air Conditioner
Oven Toaster Grill	Mixer Grinder	Storage Water Heater
Pop up Toasters	Juice Extractor	Instant Water Heater
Sandwich Maker	Food Steamer	Immersion Heater
Induction cooker	Chopper	Room Heaters
Electric cooker	Steam Iron	Vaccum Cleaner
Electric Kettle	Dry Iron	Washing Machine
Coffee/Tea Makers	Ceiling Fans	Emergency Light
Hand Blender	Hair Dryer	Stabilizer



KORYO™

Imported by:

Future Retail Limited

Tower C, 9th Floor, 247 Park, L.B.S. Marg, Vikhroli (West),
Mumbai - 400 083, Maharashtra, India.