

**FAILURE TO FOLLOW THESE WARNINGS MAY RESULT  
IN SERIOUS INJURY OR DEATH TO YOU OR OTHERS**



**WARNING**



- WARNING:** READ MANUAL AND INSTALLATION GUIDE BEFORE USING
- WARNING:** This storage device is not a substitute for a gun safe. Given sufficient time any firearm storage device may be compromised.
- WARNING:** All NRA® Home Defense products by Jotto Gear nor any other firearm device can take the place of other safety procedures including advising children of the dangers of firearms and keeping firearms away from the untrained.
- WARNING:** Empty firearms of all ammunition before storing. Do not store with rounds in firearms.
- Store magazines and ammunition separately.
- WARNING:** Always keep fingers clear of trigger when removing or replacing firearms.
- WARNING:** Keep thumb on back of hammer or slide when inserting pistol in holster to insure pistol is not cocked during insertion.
- WARNING:** Always store firearms in the with safety in closed and locked position.
- WARNING:** Use only with firearms listed in user's manual. Do not use firearms not listed.
- WARNING:** Always handle firearms as if they are loaded and ready to fire.
- WARNING:** Never mix alcohol or drugs with firearms or the NRA® Home Defense products.
- WARNING:** Always follow firearm safety rules set out by the firearm's manufacturer.

**90 Day Limited Warranty**

This warranty is extended solely to the original purchaser. A purchase receipt or other proof of date of original purchase and a Jotto Gear RGA# will be required for returned items. All defective parts for replacement must be returned to factory.

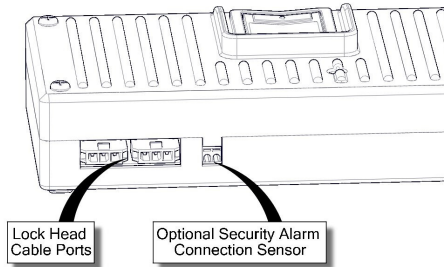
This warranty does not cover labor for installation or damages to home during installation. This warranty only covers failures due to defects in materials or workmanship which would occur during normal use. This warranty does not cover any frames modified or finished by consumer, or parts failures which result from alteration, accident, misuse, abuse, damages during theft, improper installation, modification or service by anyone other than Jotto Gear. This warranty does not cover damage that is attributable to acts of God.

Should you find a part missing or damaged please contact Jotto Gear Customer service at 1-800-979-3375 or by chat at [www.NRAJOTTOGEAR.com](http://www.NRAJOTTOGEAR.com)

## Key Features

The master biometric control unit offers an entry switch option for Smart Home systems and/or home security alarm systems. This feature works similarly to wired entry sensors of many alarms. Sensor access hook-up connector is located on the back of unit and is not compatible with wireless sensor type systems. When wired correctly, if user scans the holster to open, it will also signal home alarm control system. Consult with your alarm system provider on wiring, programming setup or entry sensor compatibility.

Biometrics control unit can store up to 99 separate finger prints for firearm access.



## Handgun Holster Adjustments

The handgun holster will only lock and unlock with biometric control unit active and programmed.

Upon receiving holster, a removable tab will keep weapon unlocked while adjusting. Only remove tab after adjusting barrel stop to correct position.

Supplied with the handgun holster is a security torx bit to be used with universal drivers or to be installed in electronic screw drivers.

Lift bale of handgun holster to insert unloaded firearm.

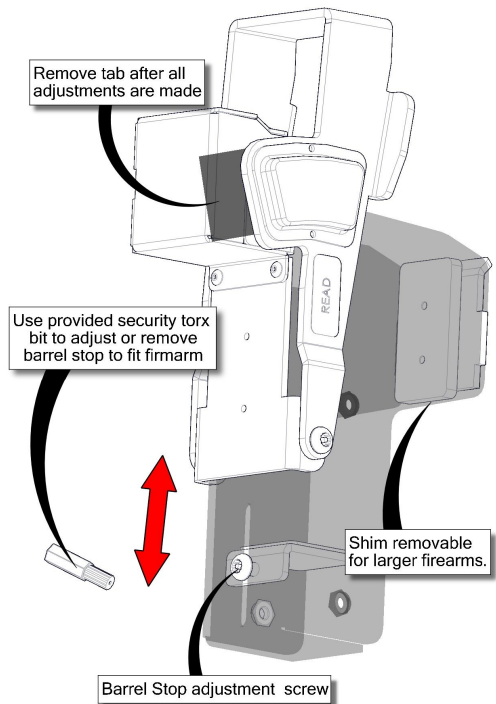
Insert firearm into holster and close bale behind firearm, adjustment to barrel stop may be needed.

Adjust the single security screw on the top front of holster.

**Final adjustment should not bind action of bale on handgun holster when secured. If firearm is too tight it may prevent lock from opening during normal operation.**

Larger handguns may require removal of barrel stop and/or shim under the trigger guard to fit properly.

**The security torx bit to adjust barrel stop will also be used for attaching mounting bracket. Keep torx bit in safe place for future adjustment if firearm change is needed.**





## WARNING



Read and understand these instructions and the labels on the Jotto Gear Handgun Holster before using. For Automotive installations, make sure the location you choose is free of all gas lines, brake lines, gas tank, electrical and mechanical services.

**AVK Installation Procedure for vehicle or metal surface-** Use QR Code to right to view video sample of an AVK fastener installation, or you can view at:

<http://nrjottogear.gojotto.com/avk-fastener-installation-video>



1. The AVK fastener is designed to mount to metal surfaces only. Prepare mounting area by pulling back carpet, padding or other materials and marking where you will drill using the chosen mounting bracket.
2. Predrill pilot holes where you marked with 1/4" drill bit. Using the 25/64" drill bit, enlarge pilot holes.
3. Place 1/4"-20 x 1" long bolt through the 5/16" flange nut and hand thread bolt into the AVK fastener.
4. Place into 25/64" drilled hole and use 1/2" box end wrench to secure the flange nut. Apply downward pressure on the flange nut, pressing AVK fastener into hole. Using socket wrench, tightened the 1/4"-20 x 1" bolt. This will the AVK fastener to expand and secure onto the backside of the metal.
5. REMOVE the 1/4"-20 x 1" bolt and flange nut to repeat on second hole.

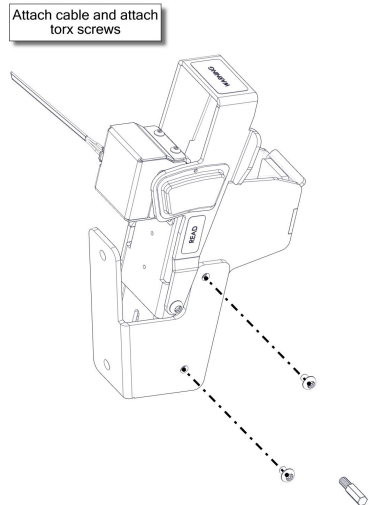
### For Home Installations or non-metal surfaces.

**Due various surface types and thicknesses, Customer should provide own hardware to best secure mounting bracket to selected mounting surface.**

Three different mounting brackets are provided to maximize mounting position options. Choose a secure surface when mounting bracket and mount.

After mounting bracket, use the provided security torx bit in a universal driver to secure base of handgun holster to mounted bracket with two provided 10-32 security screws.

Attach second biometric cable to handgun holster.  
**Save security torx bit and instructions for future use.**



## Programming Biometrics

**Orange LED – Program Setup Mode (Master User only)**

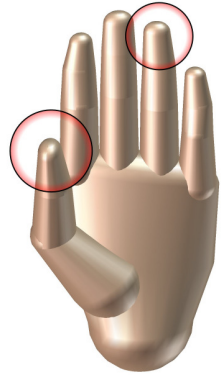
**Red LED – Primary Awaken Mode**

**Green LED – Scanning Mode**

**White button – Program Button and Wake Up Button**

When determining a Master User program finger, select a finger that has the best definition and fingerprint ridges to be a master program finger. Other fingers can be programmed later. Light, smooth or finger prints lacking good definition may be more difficult read and not recommended for Master User program finger. A thumb may work better due to size of finger and surface to read.

**Biometric Control Unit can ONLY be reset back to factory settings by Master User finger or sent back to Jotto Gear. Circle chosen master program finger on manual and keep safe for future reference. Forgetting which finger is the Master User will prevent ability to program new users or erasing users in future.**



## Troubleshooting Programming Tips:

An ORANGE LED means the biometrics reader is prompting for the Master User scan. During initial setup, if biometrics remains ORANGE after programming. The scanner did not get a good read during one or more attempts. Start over from the beginning of Master User setup.

At the end of programming any sequences, if biometric control unit beeps and flashes RED LED's and ORANGE LED's multiple times the user may need to start over.

If the biometric unit will not open locks by Master User during a programming attempt, resetting batteries may be necessary.

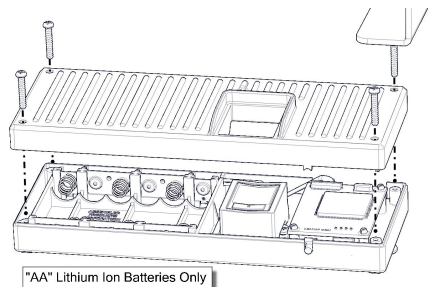
## Inserting Batteries

Remove all four top screws on biometrics control unit.

Insert six "AA" Lithium Ion Batteries Only.

Once batteries are inserted, a Master User fingerprint will need to be present to program for first time. Biometric control unit will continue to cycle power and beep until Master is programmed.

Attach top of control unit to base with four previously removed screws.



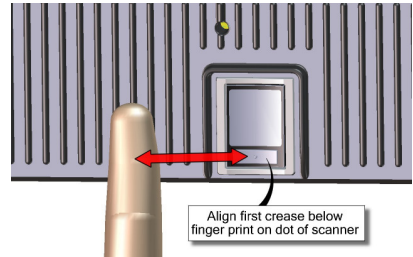
## Low Battery Warning

The biometric control unit will intermittently check if batteries are low. An alert signal will sound with four beeps every 15 minutes, until batteries are replaced. Only "AA" Lithium Ion batteries should be used. Recommended battery replacement is every 6 months.

**Before Starting:** Be sure to read and understand each step prior to attempting. Waiting too long in between steps will cause the scanner to time out.

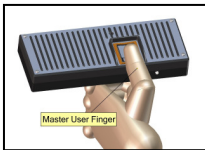
Align crease below finger print on dot of scanner for best results.

For extra help with programming setup, use QR Codes or URL address for online video instructions.



## **Out-of-the-Box Setup Instructions for Master User**

Note: After inserting batteries the scanner will cycle power every 30 to 40 seconds. Start Step 1 within 5 seconds or wait until next power cycle for best results.



### **Step 1)**

At ORANGE LED prompt, scan your selected Master User finger by pressing firmly and holding finger still for three continuous beeps. Remove finger after third beep.

### **Step 2)**

Wait for fourth beep without scanning finger.

### **Step 3)**

Wait for scanner to cycle power and come up to RED LED prompt. If ORANGE LED prompt reappears, start Out-of-the-Box programming over.

### **Step 4)**

During RED LED prompt, scan Master User finger to open lock(s) and verify setup.  
Note: Adjust finger slightly, if lock(s) do not open within 1 to 2 seconds.

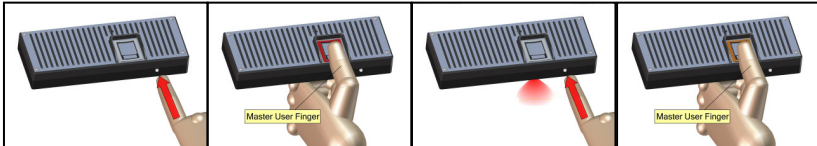
Note: If biometric control unit sounds multiple beeps after third Master finger scan, one of finger scans had a bad read. To ensure best performance, follow steps on page 19 to "Erase All Users Instructions" and repeat "Out-of-the-Box Setup".

**Before Starting:** Be sure to read and understand each step prior to attempting. Waiting too long in between steps will cause the scanner to time out.



## **To Program New Users or Additional Fingers**

Only Master User finger will be able to program additional fingers/users.

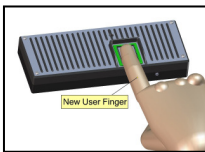


### **Step 1) - Master User step**

Press white program button on control unit.

### **Step 2) - Master User step**

Scan Master User finger to unlock firearms. Press white program button and wait 15 seconds for ORANGE LED prompt to scan Master User finger a second time. Remove Master User finger quickly as GREEN LED prompts for New User finger.



### **Step 3) - New User step**

During GREEN LED prompt, scan New User finger by pressing firmly and holding new finger still for three continuous beeps. Remove finger after third beep.

### **Step 4) - New User step**

Wait for scanner to cycle power and come up to RED LED.

### **Step 5) - New User step**

During RED LED prompt, scan new finger to open lock(s) and verify setup.

Note: Adjust finger slightly if lock(s) do not open within 1 to 2 seconds.

Note: If scanner has multiple beeps after third New User finger scan, one of the finger scans had a bad read.

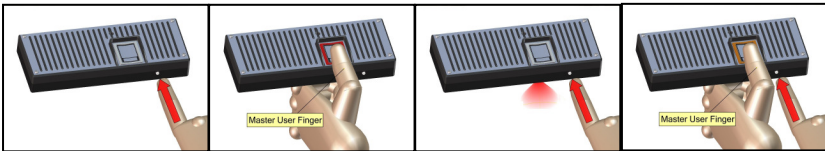
To ensure best performance repeat New User Programming steps over.

Do not erase, unless reprogramming all users including Master User.

**Before Starting:** Be sure to read and understand each step prior to attempting. Waiting too long in between steps will cause the scanner to time out.

## **Erasing All Users Instruction**

Performing this operation will erase all users including Master User and set unit back to factory default. Only Master User finger will be able to perform these steps.



### **Step 1) - Master User step**

Press white program button on control unit.

### **Step 2) - Master User step**

Scan Master User finger to unlock firearms. Press white program button and wait 15 seconds for ORANGE LED.

### **Step 3) - Master User step**

During ORANGE LED, press and hold white button and hold Master User finger in place on the scanner simultaneously.

Note: While holding finger and button in place, ORANGE LED will alternate to GREEN LED four times followed by two series of six beeps and flashing GREEN LEDs.

During second series of beeps, remove hands from biometrics control unit and wait for unit to reset.

### **Step 4) - Master User step**

Biometrics will reset back to factory default. ORANGE LED will display, user should return to Page 17 for "Out-of-the-Box Instruction" on programming a new Master User.

If not scanning new Master User right away, remove batteries to turn off biometric control unit.

## **General Operation**

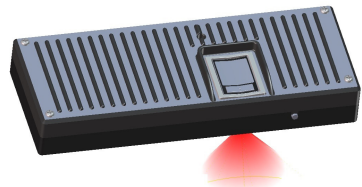
Once programmed, sliding frame open will awaken biometric control unit for approximately 20 seconds.

Press the white button to awaken biometrics control unit.

Scan a programmed finger to unlock for firearm retrieval. The lock should remain open for approximately 8 seconds before auto-locking.

The biometric control unit will light during unlocking period.

This light will remain on for approximately 15 seconds before turning off.



## **Firearm Fit Chart**

Beretta - 84, 92, 96, M9, PX4 Storm, Nano  
Bersa - Thunder 380  
Colt - Defender, 1911, 1991, XSE, Rail Gun, New Agent, Series 70, Combat, Delta  
CZ - CZ 75  
EAA - Witness  
FNH - FNX, FNS, Five-Seven  
Glock - 17, 19, 21, 22, 23, 26, 27, 30, 33, 34, 35, 36, 37  
HK - P30, USP, USP Compact, HK45, HK45 Compact  
Kel Tech - PF9  
Kimber - 1911, 1911 Compact  
Khar - K9  
Lionheart - L9C  
Remington - 1911 R1  
Ruger - SR9, SR9C, SR1911  
Sig Sauer - P220, P226, P228, P229, P245, P250, Mosquito, SP2022  
Smith & Wesson - 5906, 6946, M&P 9, M&P 40, M&P 45, M&P Shield  
Springfield - XD, XDm, XDs, 1911 Range Officer, Trophy Match, TRP, Operator, EMP, Ultra  
Steyr - M9 A1  
Taurus - 709 Slim, PT809, PT840, PT845, PT24/7, 1911, PT92, PT100, PT101, Millennium  
Tanfoglio - TZ75  
Walther - PK380, PPS, P99, PPX, PPO  
Wilson Combat - 1911

**Keep this Owners Manual as reference.**

