

PRO·FORM®

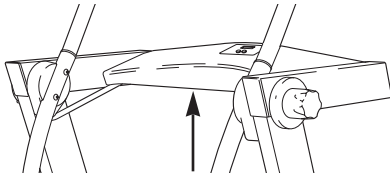
# Air Walker™

N O I M P A C T T O T A L B O D Y W O R K O U T

Model No. PFMC77755

Serial No. \_\_\_\_\_

Write the serial number in the space above for future reference.



Serial Number Decal (under console)

## QUESTIONS?

As a manufacturer, we are committed to providing complete customer satisfaction. If you have questions, or find that there are missing or damaged parts, we will guarantee complete satisfaction through direct assistance from our factory.

TO AVOID UNNECESSARY DELAYS, PLEASE CALL DIRECT TO OUR TOLL-FREE CUSTOMER HOT LINE. The trained technicians on our customer hot line will provide immediate assistance, free of charge to you.

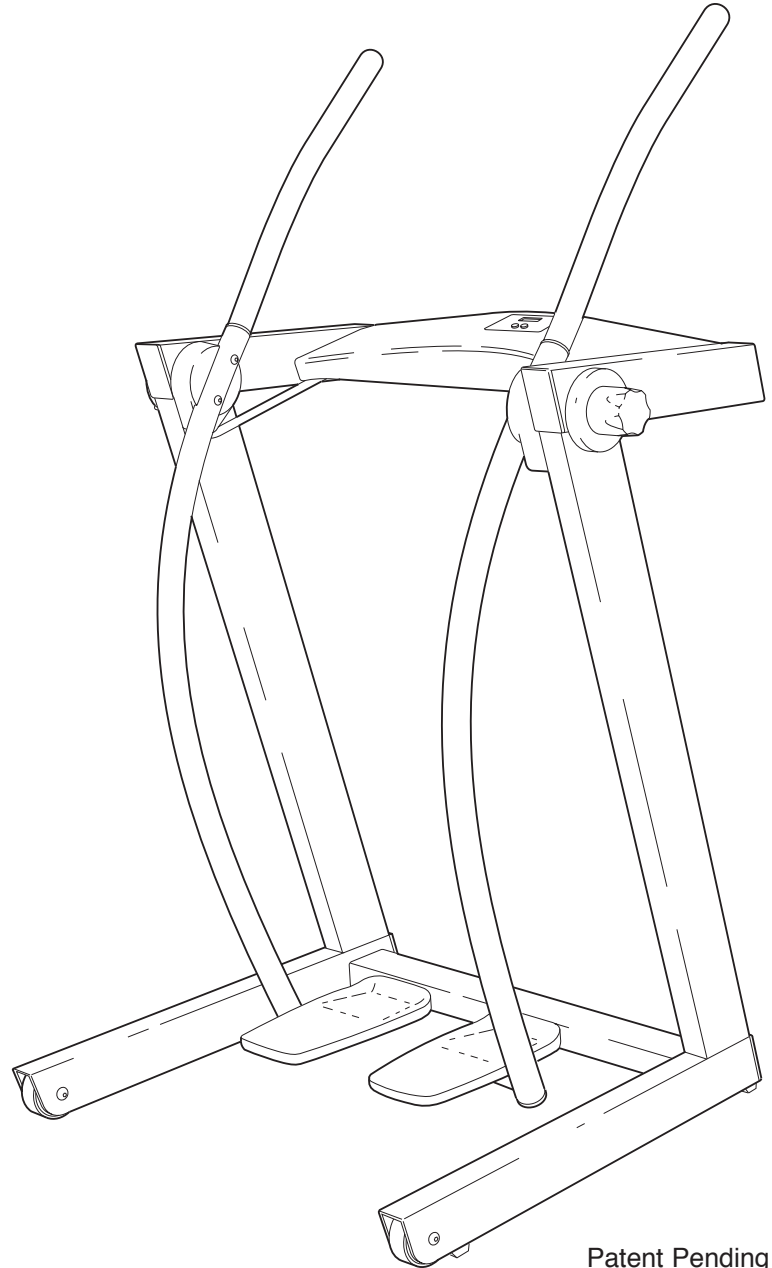
CUSTOMER HOT LINE:

**1-800-999-3756**

Mon.–Fri., 6 a.m.–6 p.m. MST

## CAUTION

Read all precautions and instructions in this manual before using this equipment. Save this manual for future reference.



Patent Pending

# USER'S MANUAL

---

# TABLE OF CONTENTS

IMPORTANT PRECAUTIONS .....	2
BEFORE YOU BEGIN .....	3
ASSEMBLY .....	4
HOW TO USE THE AIR WALKER .....	7
MAINTENANCE AND TROUBLE-SHOOTING .....	8
CONDITIONING GUIDELINES .....	9
PART LIST .....	10
EXPLODED DRAWING .....	11
ORDERING REPLACEMENT PARTS .....	.Back Cover
LIMITED WARRANTY .....	.Back Cover

---

## IMPORTANT PRECAUTIONS

**WARNING:** To reduce the risk of serious injury, read the following important precautions before using the AIR WALKER.

1. It is the responsibility of the owner to ensure that all users of the AIR WALKER are adequately informed of all warnings and precautions.
2. Read all instructions in this manual before using the AIR WALKER.
3. Use the AIR WALKER only on a level surface. Cover the floor beneath the AIR WALKER to protect the floor or carpet.
4. Be sure that there are no obstacles in front of or behind the AIR WALKER.
5. Inspect and tighten all parts regularly. Replace any worn parts immediately.
6. Keep children and pets away from the AIR WALKER at all times.
7. The AIR WALKER should not be used by persons weighing more than 250 pounds.
8. Keep hands and feet away from moving parts.
9. Do not wear loose clothing that could become caught on the AIR WALKER. Always wear athletic shoes for foot protection when exercising.
10. When you are getting onto and off the AIR WALKER, always tighten the resistance knobs, hold the handles firmly, and be sure that your body weight is centered directly over the pedals.
11. Use the AIR WALKER only as described in this manual.
12. If you feel faint, dizzy, or short of breath while exercising, stop immediately and begin cooling down.
13. The following precautions are printed on the electronic monitor: Read User's Manual before operating; To enter and exit, tighten resistance knobs, grasp handles, and place body directly over foot pedals; Stop if you feel faint, dizzy, or short of breath; Keep children away.
14. The AIR WALKER is intended for home use only. Do not use the AIR WALKER in any commercial, rental, or institutional setting.

**WARNING:** Before beginning this or any exercise program, consult your physician. This is especially important for persons over the age of 35 or persons with pre-existing health problems. Read all instructions before using. ICON assumes no responsibility for personal injury or property damage sustained by or through the use of this product.

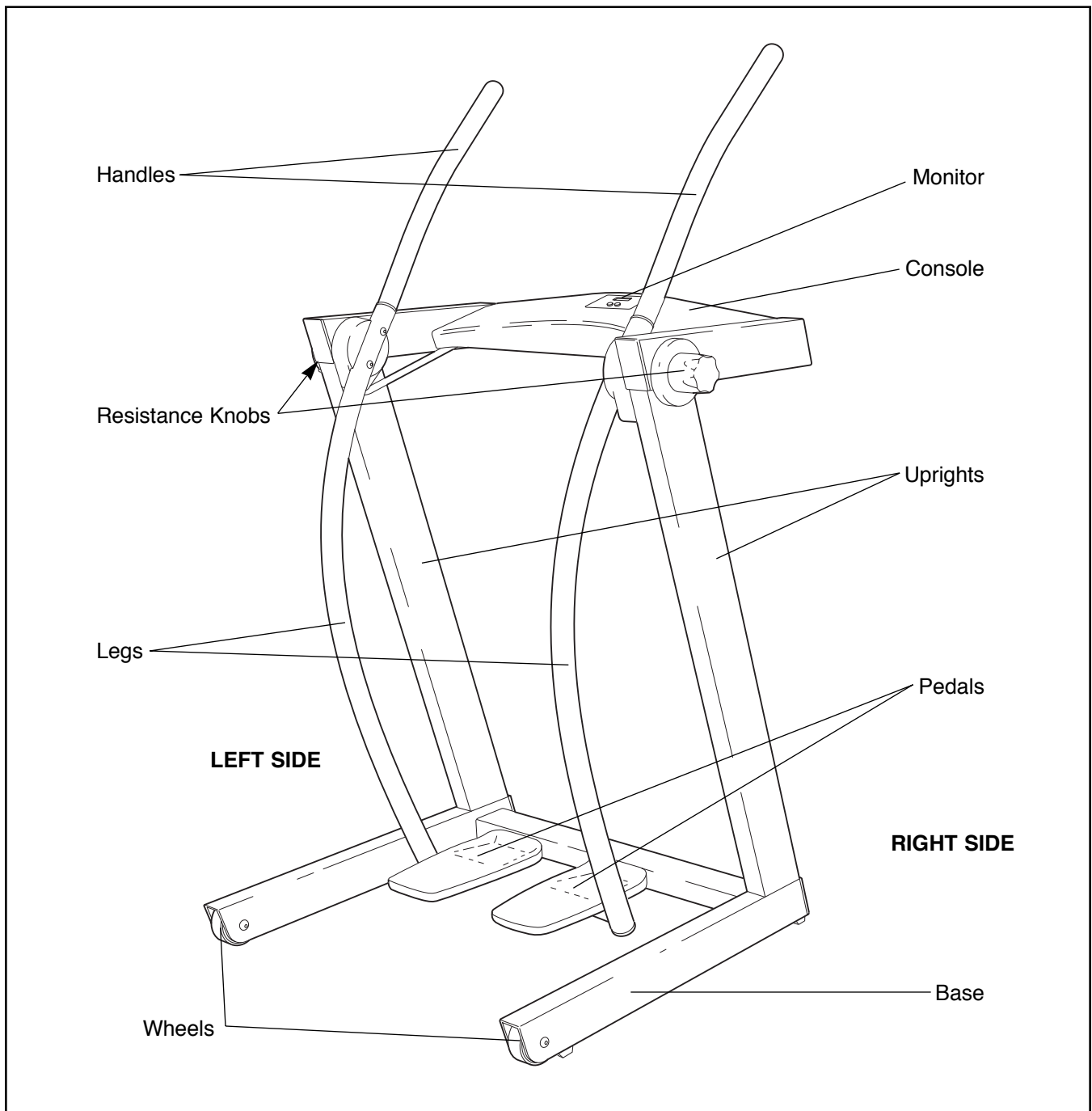
# BEFORE YOU BEGIN

Thank you for selecting the innovative PROFORM® AIR WALKER. The AIR WALKER blends advanced engineering with contemporary styling to provide you with a no-impact, total body workout in the convenience and privacy of your own home.

**For your benefit, read this manual carefully before using the AIR WALKER.** If you have questions after reading the manual, call our Customer Service Department toll-free at 1-800-999-3756, Monday through Friday, 6 a.m. until 6 p.m. Mountain Time

(excluding holidays). To help us assist you, please note the product model number and serial number before calling. The model number is PFMC77755. The serial number can be found on a decal attached to the AIR WALKER (see the front cover of this manual for the location of the decal).

Before reading further, please review the drawing below and familiarize yourself with the parts that are labeled.




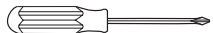
# ASSEMBLY

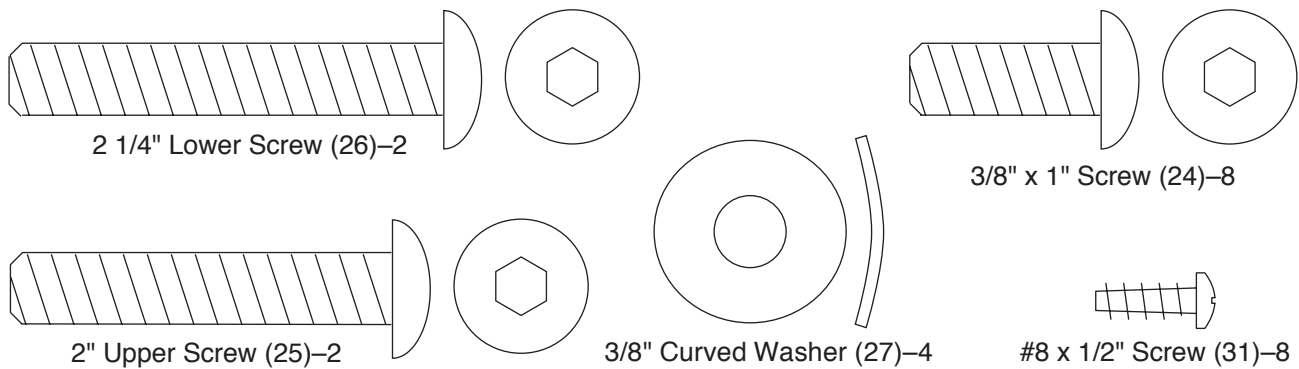
**Before you begin assembly, carefully read the following information and instructions:**

- Place all parts of the AIR WALKER in a cleared area and remove the packing materials. **IMPORTANT: DO NOT REMOVE THE RUBBER BANDS FROM THE HUB COVERS (see assembly step 5).** Do not dispose of any packing materials until assembly is completed.
- Use the drawings below to identify the small hardware used in assembly.

- Read through each assembly step before you begin.
- Make sure that all parts are oriented as shown in the drawings. Tighten all parts as you assemble them, unless instructed to do otherwise.

**Assembly requires the following tools:**

- the included allen wrench 
- your own phillips screwdriver 



**1. Before you begin, read the information at the top of this page.**

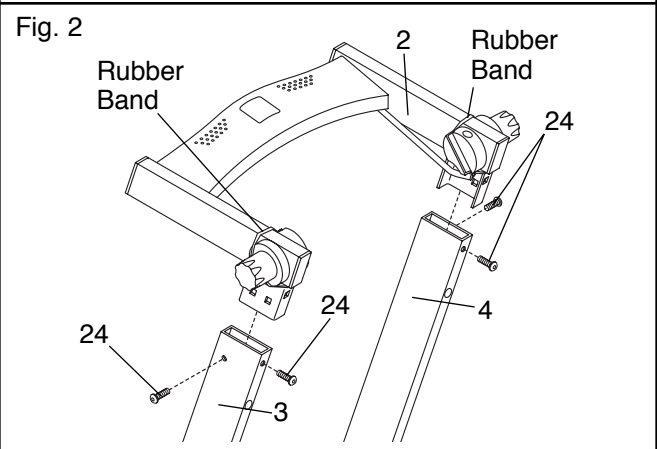
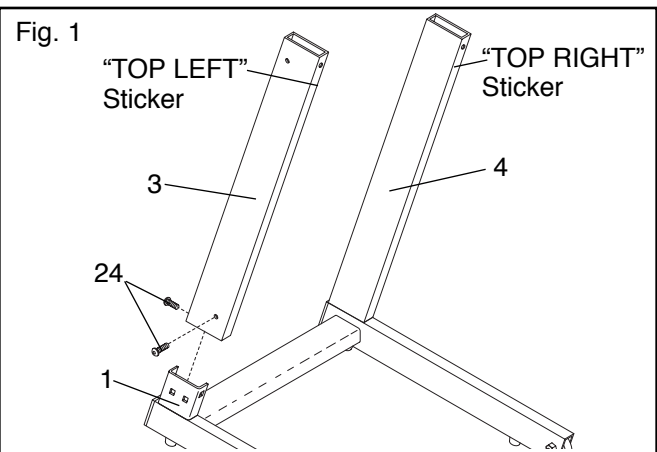
See figure 1. Find the Left Upright (3). **Note: There is a "TOP LEFT" sticker on the upper end of the Left Upright.**

See figure 1. Slide the Left Upright (3) onto the Base (1). Thread two 3/8" x 1" Screws (24) into the Left Upright. **Do not tighten the Screws yet.**

See figure 1. Attach the Right Upright (4) in the same manner.

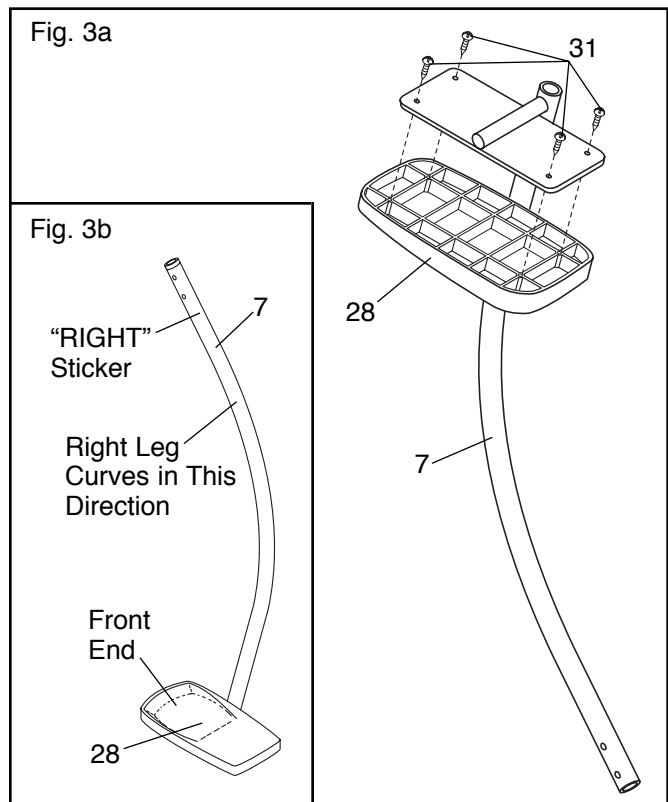
**2. See figure 2. Hold the Top Frame (2) level, and insert it into the Left and Right Uprights (3 and 4). Note: It may be helpful to rock the Top Frame from side to side slightly as you insert it. Make sure that the indicated rubber bands are not pinched between the Top Frame and the Uprights. Attach the Top Frame with four 3/8" x 1" Screws (24).**

See figures 1 and 2. Tighten the eight 3/8" x 1" Screws (24).



- See figure 3b. Find the Right Leg (7). **Note: The Right Leg is marked with a "RIGHT" sticker.** Set a Pedal (28) on the plate at the lower end of the Right Leg. **Note: Be careful not to attach the Pedal backwards. Look at the curve of the Right Leg and the front end of the Pedal to make sure that the Pedal is turned correctly.**

See figure 3a. Turn the Right Leg (7) and the Pedal (28) upside-down as shown. Attach the Pedal with four #8 x 1/2" Screws (31).



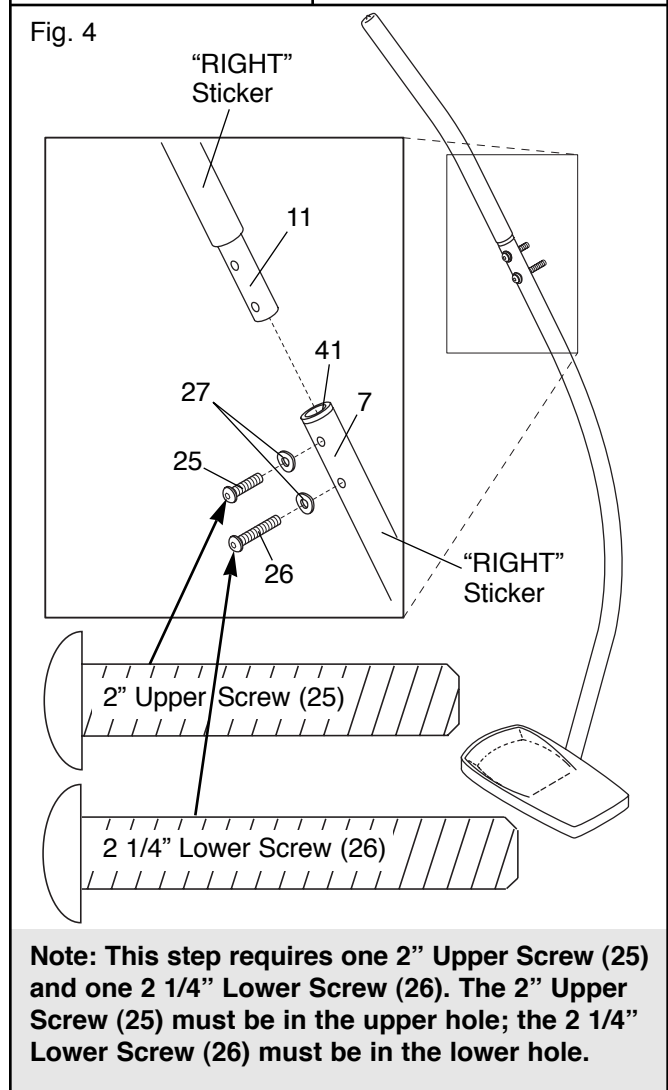
- See figure 4. Look into the upper end of the Right Leg (7) and make sure that the Plastic Sleeve (41) is fully inserted.

See figure 4. Find the Right Handle (11). **Note: The Right Handle is marked with a "RIGHT" sticker.** Insert the Right Handle into the Right Leg (7).

See figure 4. Slide a 3/8" Curved Washer (27) onto a 2" Upper Screw (25). **Note: Use the actual-size drawing to identify the 2" Upper Screw (25).** Insert the 2" Upper Screw into the upper hole in the Right Leg (7) and the Right Handle (11).

See figure 4. Slide a 3/8" Curved Washer (27) onto a 2 1/4" Lower Screw (26). **Note: Use the actual-size drawing to identify the 2 1/4" Lower Screw (26).** Insert the 2 1/4" Lower Screw into the lower hole in the Right Leg (7) and the Right Handle (11).

See figure 4. Make sure that the 2" Upper Screw (25) is in the upper hole, and that the 2 1/4" Lower Screw (26) is in the lower hole. The Screws must be inserted from the side shown.



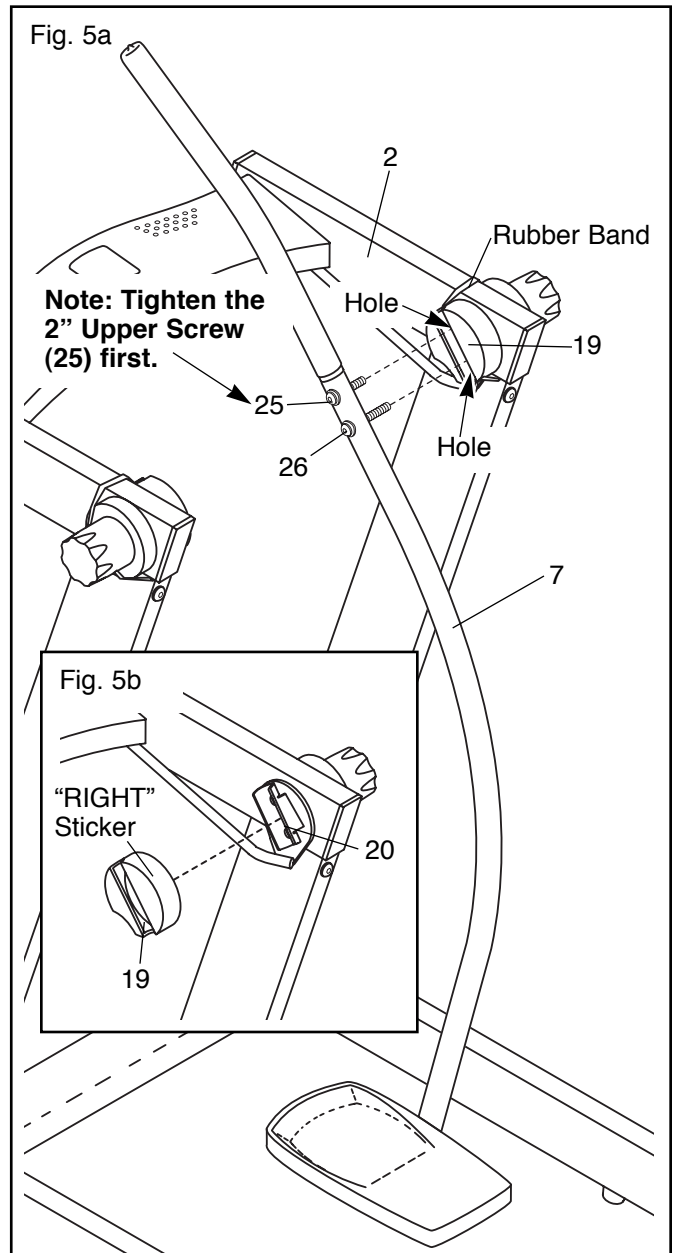
- See figure 5a. **Before you begin this step, make sure that the Right Hub Cover (19) is attached to the Top Frame (2) with a rubber band as shown. If the Right Hub Cover has come off during shipping, see figure 5b. Slide the Right Hub Cover onto the Right Pivot Bracket (20).**

See figure 5a. Find the two holes inside the slot of the Right Hub Cover (19). Make sure that the rubber band is not covering the holes, and that the holes are aligned.

See figure 5a. Hold the Right Leg (7) against the Right Hub Cover (19). Thread the 2" Upper Screw (25) two complete turns into the upper hole inside the Right Hub Cover. Thread the 2 1/4" Lower Screw (26) two complete turns into the lower hole. Break and remove the rubber band.

See figure 5a. Fully tighten the 2" Upper Screw (25). After the 2" Upper Screw is tightened, fully tighten the 2 1/4" Lower Screw (26).

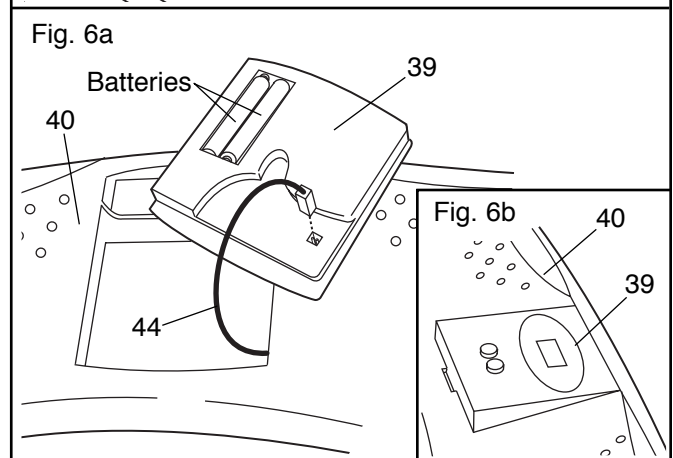
Repeat assembly steps 3, 4, and 5 to attach the Left Leg and the Left Handle (not shown) to the left side of the AIR WALKER.



- See figure 6a. Insert two "AA" batteries (not included) into the Monitor (39). Alkaline batteries are recommended. **Make sure that the negative (-) ends of the batteries are touching the springs, and that the positive (+) ends of the batteries are pushed against the metal contacts.**

See figure 6a. Plug the Reed Switch Wire (44) into the Monitor (39). Insert any excess wire into the Console (40).

See figure 6b. Snap the Monitor (39) into the Console (40). **Be careful not to pinch the wire between the Monitor and the Console.**



Before you use the AIR WALKER, use the included allen wrench to firmly re-tighten all of the screws used in assembly. Remove the orange and green identification stickers from the AIR WALKER. **Note: During the first few minutes that the AIR WALKER is used, a squeaking noise may be heard. This is normal during the break-in period.**

# HOW TO USE THE AIR WALKER

**CAUTION:** When you are getting onto and off the AIR WALKER, always tighten the resistance knobs, hold the handles firmly, and be sure that your body weight is centered directly over the pedals.

## EXERCISING ON THE AIR WALKER

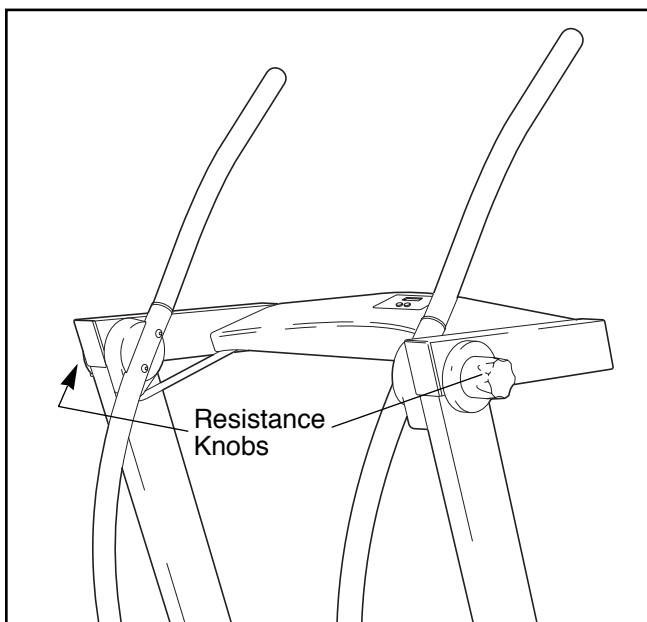
The proper form for exercising on the AIR WALKER is similar to walking—move one leg forward as you move the other leg back. **Never attempt to move both legs in the same direction—you could be injured, or the AIR WALKER could be damaged.**

For a full body workout, hold the handles as you walk, moving your arms and legs in motion with the handles and pedals. To vary the effect on your muscles, change your stance on the AIR WALKER. For example, you can change the position of your hands on the handles, or you can bend your legs slightly instead of keeping them straight.

For a lower body workout, rest your hands on the edge of the console for balance as you walk on the pedals. **Note: Do not lean on the console. It is not designed to support your body weight.**

## RESISTANCE ADJUSTMENT

To vary the intensity of your workout, the resistance of the AIR WALKER can be changed. To increase the resistance, turn both resistance knobs clockwise. To decrease the resistance, turn the resistance knobs counterclockwise.



## ELECTRONIC MONITOR MODES

The simple-to-operate electronic monitor offers five different modes to provide instant exercise feedback. The five modes are described below:

**Reps/min**—Displays the number of repetitions you are performing per minute.

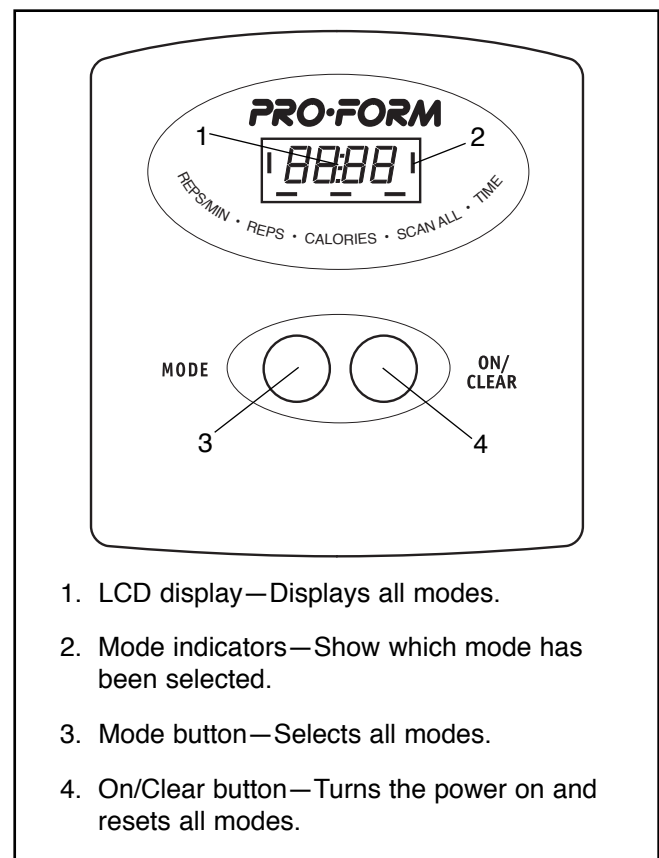
**Reps**—Displays the total number of repetitions you have completed, up to “999.” The display will then reset to “0” and continue counting.

**Calories**—Displays the approximate number of Calories you have burned. Note: If the resistance is near the highest or lowest setting, the actual number of Calories you have burned will be slightly higher or lower than the number displayed.

**Scan All**—Displays the reps/min, reps, calories, and time modes, for approximately 5 seconds each, in a repeating cycle.

**Time**—Displays the length of time you have exercised. Note: If you stop exercising for ten seconds or longer, the time mode will pause until you resume.

## DIAGRAM OF THE ELECTRONIC MONITOR





## OPERATING THE ELECTRONIC MONITOR

1. To turn on the power, press the on/clear button or simply begin exercising on the AIR WALKER. The entire display will appear for two seconds. The electronic monitor will then be ready for operation.
2. Select one of the five modes:

**Scan all mode**—When the power is turned on, the scan all mode will be selected automatically. The scan all mode can also be selected by repeatedly pressing the mode button. One mode indicator will show that the scan all mode has been selected, and a second mode indicator will show which mode is currently displayed.

**Reps/min, reps, calories, or time mode**—These modes can be individually selected by repeatedly pressing the mode button. The mode indicators will show which mode has been selected. (Make sure that the scan all mode is not selected.) The modes will be selected in the following order: reps/min, reps, calories, scan all, time.

3. **The monitor has an auto-off feature to turn off the power.** If the pedals are not moved and the monitor buttons are not pressed for four minutes, the power will turn off automatically in order to conserve the batteries.

To reset the LCD display, press the on/clear button.

## MAINTENANCE AND TROUBLE-SHOOTING

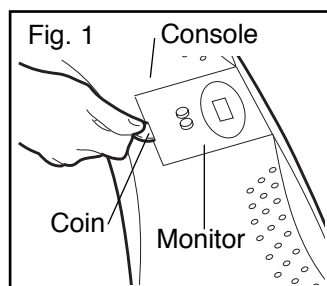
### MAINTENANCE

Inspect and tighten all parts of the AIR WALKER regularly. Replace any worn parts immediately.

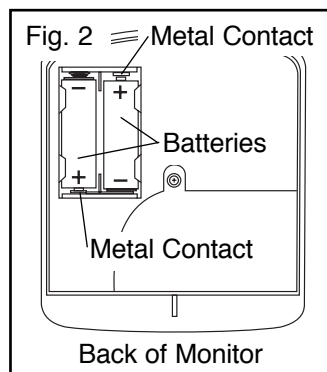
The AIR WALKER can be cleaned with a soft, damp cloth. Keep liquids away from the electronic monitor. Keep the monitor out of direct sunlight or the display may be damaged. Remove the batteries when storing the AIR WALKER.

### ELECTRONIC MONITOR TROUBLE-SHOOTING

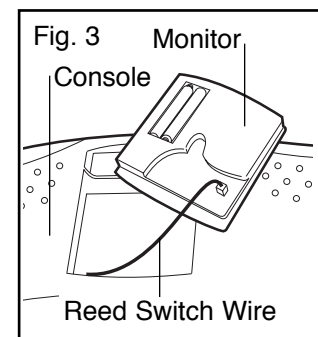
If the electronic monitor will not turn on, the batteries should be checked. Using a coin, pry up the front of the monitor and remove it from the console (see figure 1).



See figure 2. If there is a gap between the positive (+) ends of the batteries and the metal contacts, the monitor will not turn on. **Push the batteries to make sure that the positive ends are touching the metal contacts.**



See figure 3. Make sure that the reed switch wire is plugged into the monitor; insert any excess wire into the console. Snap the monitor into the console. Make sure that the wire is not pinched between the monitor and the console.



If the electronic monitor still does not function properly, the batteries should be replaced. Two "AA" batteries are required; alkaline batteries are recommended. Remove the two old batteries from the monitor, and insert two new batteries. **Make sure that the negative (-) ends of the batteries are touching the springs, and that the positive (+) ends of the batteries are pushed against the metal contacts.**



# CONDITIONING GUIDELINES

The following guidelines will help you to plan your exercise program. Remember that proper nutrition and adequate rest are essential for successful results.

**WARNING: Before beginning this or any exercise program, consult your physician. This is especially important for individuals over the age of 35 or individuals with pre-existing health problems.**

## WHY EXERCISE?

Exercise has proven essential for good health and general well-being. Regular participation in a well-rounded exercise program helps to develop a stronger and more efficient heart, improved respiratory function, increased stamina and endurance, better weight management and body fat control, increased ability to deal with stress, and greater self-esteem and confidence.

## EXERCISE INTENSITY

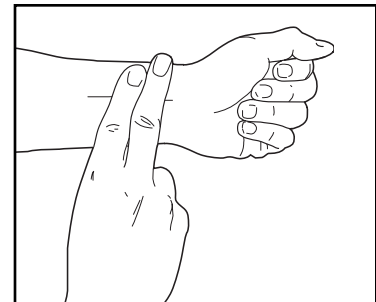
To maximize the benefits of exercising, it is important to exercise with the proper intensity. The proper intensity level can be found by using your heart rate as a guide. For effective aerobic exercise, your heart rate should be maintained at a level between 70% and 85% of your maximum heart rate as you exercise. This is known as your training zone. You can find your training zone in the table below. Training zones are listed according to age and physical condition.

AGE	TRAINING ZONE (BEATS/MIN.)	
	UNCONDITIONED	CONDITIONED
20	138–167	133–162
25	136–166	132–160
30	135–164	130–158
35	134–162	129–156
40	132–161	127–155
45	131–159	125–153
50	129–156	124–150
55	127–155	122–149
60	126–153	121–147
65	125–151	119–145
70	123–150	118–144
75	122–147	117–142
80	120–146	115–140
85	118–144	114–139

During the first few months of your exercise program, keep your heart rate near the low end of your training zone as you exercise. After a few months of regular exercise, your heart rate can be increased gradually until it is near the middle of your training zone as you exercise.

To measure your heart rate, stop exercising and place two fingers on your wrist. Take a six-second heartbeat count, and multiply the result by ten to find your heart rate. (A six-second count is used because your heart rate drops quickly

when you stop exercising.) If your heart rate is too high, decrease the intensity of your exercise. If your heart rate is too low, increase the intensity of your exercise.



## WORKOUT GUIDELINES

A well-rounded workout includes the following three phases:

**A warm-up phase**, lasting 5 to 10 minutes. Begin with slow, controlled stretches, and progress to more rhythmic stretches. This will increase the body temperature, heart rate, and circulation in preparation for strenuous exercise.

**A cardiovascular phase**, including 20 to 30 minutes of exercising with your heart rate in your training zone.

**A cool-down phase**, consisting of 5 to 10 minutes of stretching. Thorough stretching offsets muscle contractions and other problems caused when you stop exercising suddenly. Stretching for increased flexibility is often most effective during this phase. This phase should leave you relaxed and comfortably tired.

To maintain or improve your condition, complete three workouts each week, with at least one day of rest between workouts. After a few months of regular exercise, you may complete up to five workouts each week, if desired. Find the best time of day for your workouts, and then stick with it.

Remember, the key to success is to make exercise a regular and enjoyable part of your everyday life.

# PART LIST—Model No. PFMC77755

R0597A

Key No.	Qty.	Description	Key No.	Qty.	Description
1	1	Base	32	1	1/2" x 2" Bolt
2	1	Top Frame	33	1	"D" Bushing
3	1	Left Upright	34	1	1/2" Nylon Jam Nut
4	1	Right Upright	35	2	1" Plastic Washer
5	1	Rocker Arm	36	6	1 1/2" x 3" Endcap
6	1	Left Leg	37	4	Rubber Foot
7	1	Right Leg	38	2	#10 x 1/2" Metal Screw
8	1	Left Link Arm w/Axle Caps	39	1	Electronic Monitor
9	1	Right Link Arm w/Axle Caps	40	1	Console
10	1	Left Handle w/Foam	41	2	Plastic Sleeve
11	1	Right Handle w/Foam	42	2	Foam Grip
12	8	3/8" Nylon Jam Nut	43	1	#8 x 3/8" Screw
13	2	Resistance Housing	44	1	Reed Switch w/Wire
14	2	Resistance Sleeve	45	2	Resistance Cover
15	2	Friction Cone	46	2	Resistance Knob
16	4	1/2" Thrust Washer	47	6	3/8" x 2" Carriage Bolt
17	2	1/2" Thrust Bearing	48	2	Dome Cap
18	2	1/2" Spring Washer	49	1	Magnet
19	1	Right Hub Cover	50	2	3/8" Lock Washer
20	1	Right Pivot Bracket w/Axle Caps	51	8	Cage Nut
21	2	Pivot Sleeve w/Axle Caps	52	2	Snap Ring
22	1	Left Hub Cover	53	6	#8 x 3/4" Metal Screw
23	1	Left Pivot Bracket w/Axle Caps	54*	1	Console Assembly
24	8	3/8" x 1" Screw	55	2	Retaining Ring
25	2	2" Upper Screw	56	2	Link Arm Bushing w/Axle Caps
26	2	2 1/4" Lower Screw	57	1	Magnetic Concentrator
27	4	3/8" Curved Washer	#	1	User's Manual
28	2	Pedal	#	1	Allen Wrench
29	2	3/8" x 1 3/4" Bolt			
30	2	Wheel			
31	8	#8 x 1/2" Screw			

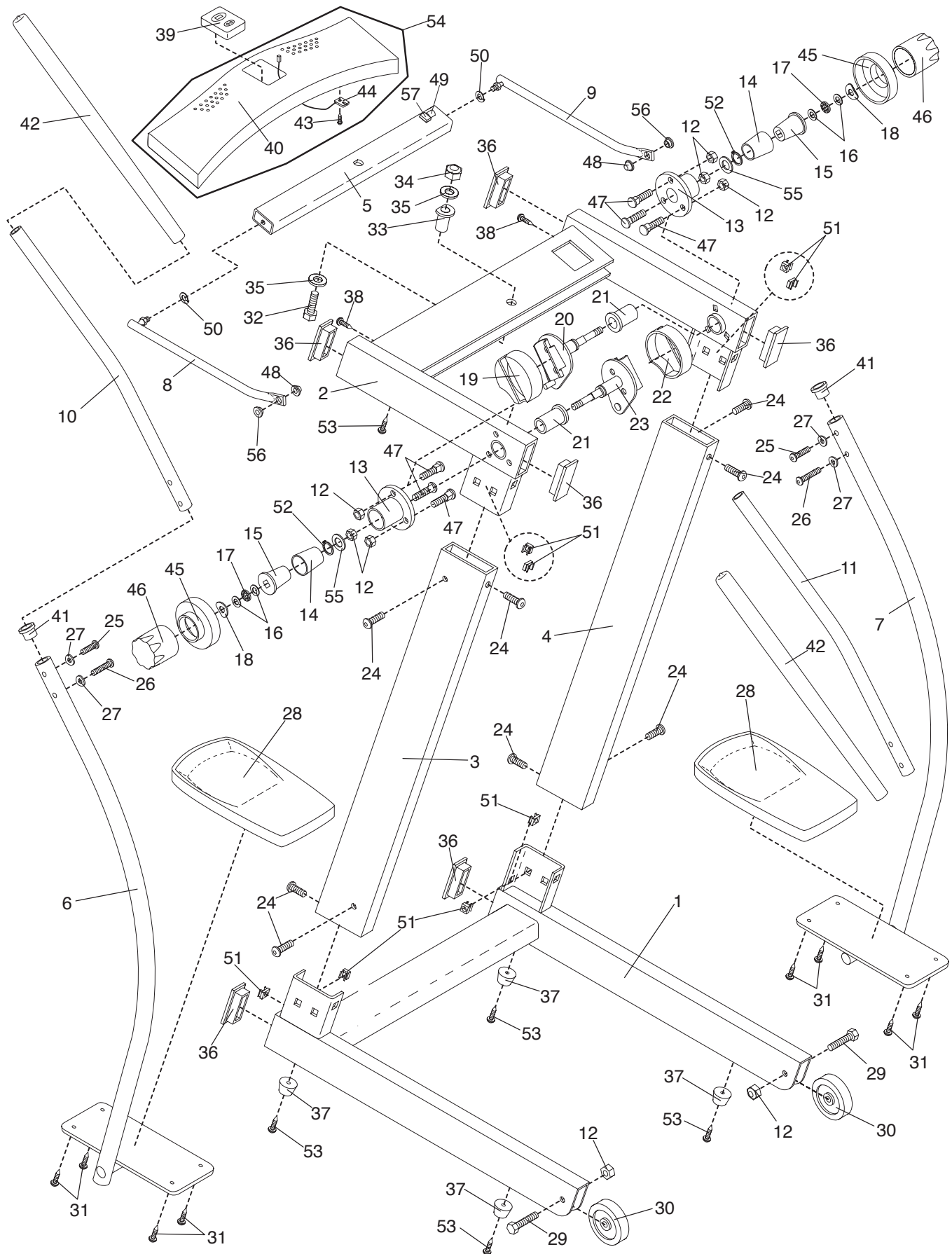
\* Includes all parts shown in the box

# These parts are not illustrated

Note: Specifications are subject to change without notice. See the back cover of this manual for information about ordering replacement parts.

# EXPLODED DRAWING—Model No. PFMC77755

R0597A



---

# HOW TO ORDER REPLACEMENT PARTS

To order replacement parts, simply call our Customer Service Department toll-free at 1-800-999-3756, Monday through Friday, 6 a.m. until 6 p.m. Mountain Time (excluding holidays). To help us assist you, please be prepared to give the following information when calling:

- The MODEL NUMBER of the product (PFMC77755).
- The NAME of the product (PROFORM® AIR WALKER).
- The SERIAL NUMBER of the product (see the front cover of this manual).
- The KEY NUMBER and DESCRIPTION of the part(s) from page 10 of this manual.

PROFORM is a registered trademark of ICON Health & Fitness, Inc.

## LIMITED WARRANTY

ICON Health & Fitness, Inc. (ICON) warrants this product to be free from defects in workmanship and material, under normal use and service conditions, for a period of ninety (90) days from the date of purchase. This warranty extends only to the original purchaser. ICON's obligation under this warranty is limited to replacing or repairing, at ICON's option, the product at one of its authorized service centers. All products for which warranty claim is made must be received by ICON at one of its authorized service centers with all freight and other transportation charges prepaid, accompanied by sufficient proof of purchase. All returns must be pre-authorized by ICON. This warranty does not extend to any product or damage to a product caused by or attributable to freight damage, abuse, misuse, improper or abnormal usage or repairs not provided by an ICON authorized service center, to products used for commercial or rental purposes, or to products used as store displays. No other warranty beyond that specifically set forth above is authorized by ICON.

ICON is not responsible or liable for indirect, special or consequential damages arising out of or in connection with the use or performance of the product or damages with respect to any economic loss, loss of property, loss of revenues or profits, loss of enjoyment or use, costs of removal, installation or other consequential damages of whatsoever nature. Some states do not allow the exclusion or limitation of incidental or consequential damages. Accordingly, the above limitation may not apply to you.

The warranty extended hereunder is in lieu of any and all other warranties and any implied warranties of merchantability or fitness for a particular purpose is limited in its scope and duration to the terms set forth herein. Some states do not allow limitations on how long an implied warranty lasts. Accordingly, the above limitation may not apply to you.

This warranty gives you specific legal rights. You may also have other rights which vary from state to state.

**ICON HEALTH & FITNESS, INC., 1500 S. 1000 W., LOGAN, UT 84321-9813**