



Illustra Essentials Indoor / Outdoor HD Bullet User Manual

Notice

Please read this manual thoroughly and save it for future use before attempting to connect or operate this unit.

The information in this manual was current when published. The manufacturer reserves the right to revise and improve its products. All specifications are therefore subject to change without notice.

Copyright

Under copyright laws, the contents of this manual may not be copied, photocopied, reproduced, translated or reduced to any electronic medium or machine-readable form, in whole or in part, without prior written consent of Tyco Security Products. © 2014 Tyco Security Products. All rights reserved.

Customer Service

Thank you for using Tyco Security Products. We support our products through an extensive worldwide network of dealers. The dealer through whom you originally purchased this product is your point of contact if you need service or support. Our dealers are empowered to provide the very best in customer service and support. Dealers should contact Tyco Security Products at (800) 507-6268 or (561) 912-6259 or on the Web at www.illustraessentials.com.

Trademarks

The trademarks, logos, and service marks displayed on this document are registered in the United States [or other countries]. Any misuse of the trademarks is strictly prohibited and Tyco Security Products. will aggressively enforce its intellectual property rights to the fullest extent of the law, including pursuit of criminal prosecution wherever necessary. All trademarks not owned by Tyco Security Products. are the property of their respective owners, and are used with permission or allowed under applicable laws.

Product offerings and specifications are subject to change without notice. Actual products may vary from photos. Not all products include all features. Availability varies by region; contact your sales representative.

Important Safeguards and Warnings

1. Electrical safety

All installation and operation should conform to your local electrical safety codes.

The power shall conform to the requirement in the SELV (Safety Extra Low Voltage) and the Limited power source is rated 12V DC or 24V AC in the IEC60950-1. (Refer to general introduction)

Please note: Do not connect two power supplying sources to the device at the same time; it may result in device damage! The product must be grounded to reduce the risk of electronic shock.

We assume no liability or responsibility for all the fires or electrical shock caused by improper handling or installation.

We are not liable for any problems caused by unauthorized modification or attempted repair.

2. Transportation security

Heavy stress, violent vibration or water splash are not allowed during transportation, storage and installation.

3. Installation

Do not apply power to the camera before completing installation.

Please install the proper power cut-off device during the installation connection.

Always follow the instruction guide the manufacturer recommended.

4. Qualified engineers needed

All the examination and repair work should be done by the qualified service engineers.

We are not liable for any problems caused by unauthorized modifications or attempted repair.

5. Environment

This series network camera should be installed in a cool, dry place away from direct sunlight, inflammable, explosive substances and etc.

Please keep it away from the electromagnetic radiation object and environment.

Please make sure the CCD (CMOS) component is out of the radiation of the laser beam device. Otherwise it may result in CCD (CMOS) optical component damage.

Please keep the sound ventilation.

Do not allow the water and other liquid falling into the camera.

Thunder-proof device is recommended to be adopted to better prevent thunder.

The grounding studs of the product are recommended to be grounded to further enhance the reliability of the camera.

6. Daily Maintenance

Please shut down the device and then unplug the power cable before you begin daily maintenance work.

Do not touch the CCD (CMOS) optic component. You can use the blower to clean the dust on the lens surface.

Always use the dry soft cloth to clean the device. If there is too much dust, please use the water to dilute the mild detergent first and then use it to clean the device. Finally use the dry cloth to clean the device.

Please put the dustproof cap to protect the CCD (CMOS) component when you do not use the camera.

Dome enclosure is the optical component, do not touch the enclosure when you are installing the device or clean the enclosure when you are doing maintenance work. Please use professional optical clean method to clean the enclosure. Improper enclosure clean method (such as use cloth) may result in poor IR effect of camera with IR function.

7. Accessories

Be sure to use all the accessories recommended by manufacturer.

Before installation, please open the package and check all the components are included.

Contact your local retailer ASAP if something is broken in your package.

Accessory Name	Amount
Network Camera Unit	1
Quick Start Guide	1
Installation Accessories Bag	1
CD	1

Table of Contents

Important Safeguards and Warnings.....	ii
Table of Contents	iv
General Introduction	1
Overview	1
Features	1
Specifications.....	2
Performance.....	2
Framework.....	5
Cable.....	5
Framework and Dimension	6
Device Installation.....	8
Quick Configuration Tool	10
Overview	10
Operation	10
Web Operation.....	12
Network Connection.....	12
Login and Main Interface	12
FAQ.....	14
Appendix Toxic or Hazardous Materials or Elements	15

General Introduction

Overview

This series network camera integrates the traditional camera and network video technology. It adopts video data collection, transmission together. It can connect to the network directly without any auxiliary device.

This series network camera uses standard H.264 video compression technology, which maximally guarantees the video quality.

It supports the IR night vision function. In the night environments, the device can use the IR light to highlight the object which is suitable for the surveillance function in the low illumination environments. The built-in waterproof design conforms to the IP 66 level. It has the sound waterproof function suitable for use in the outdoor environments.

It can be used alone or used in a network area. When it is used lonely, you can connect it to the network and then use a network client-end. Due to its multiple functions and various uses, this series network camera is widely used in many environments such as home, office, bank, road monitor and etc.

Features

User Management	<ul style="list-style-type: none">● Different user rights for each group, one user belongs to one group.● The user right shall not exceed the group right.
Storage Function	<ul style="list-style-type: none">● Support central server backup function in accordance with your configuration and setup in alarm or schedule setting● Support record via Web and the recorded file are storage in the client-end PC.● Support network storage function such as FTP.
Data Transmission	<ul style="list-style-type: none">● Support data transmission via Ethernet.
Network Monitor	<ul style="list-style-type: none">● Network camera supports one-channel video data transmit to network terminal and then decode. Delay is within 270ms (network bandwidth support needed)● Max supports 20 connections.● Adopt the following video transmission protocol: HTTP, TCP, UDP, MULTICAST, RTP/RTCP, RTSP and etc.● Support web access.
Network Management	<ul style="list-style-type: none">● Realize network camera configuration and management via Ethernet.● Support device management via web or client-end.● Support abundant network protocols.
Power	<ul style="list-style-type: none">● External power adapter DC12V.● Support PoE. <p>Warning!</p> <ul style="list-style-type: none">● Do not connect these two power supplying sources to the device at the same time; it may result in device damage!
Assistant Function	<ul style="list-style-type: none">● Log function● Support system resource information and running status real-time display.● Day/Night mode auto switch.(with ICR switch)● Support picture parameter setup such as electronic shutter and gain setup.● Backlight compensation: screen auto split to realize backlight compensation to adjust the bright.● Support digital WDR.● Support video watermark function to avoid vicious video modification.● Support dual bit streams, ACF.

Specifications

Performance

Please refer to the following sheet for network camera performance specification.

Parameter		Model	IE01MFBNWIY	
System	Main Processor		High performance DSP	
	OS		Embedded LINUX	
	System Resources		Support real-time network, local record, and remote operation at the same time.	
	User Interface		Remote operation interface such as WEB, DSS, PSS	
	System Status		Bit stream statistics, log, and software version.	
Video Parameter	Image Sensor		1/4-inch CMOS	
	Pixel		1280(H) *720(V)	
	Day/Night Mode		Support day/night mode switch.	
	Gain Control		Fixed/Auto	
	White Balance		Manual/Auto	
	BLC		On/Off	
	Exposure Mode		Auto/Manual It ranges from 1/3 to 1/10000.	
	Video Compression Standard		H.264/H.264B/MJPEG	
	Video Frame Rate			PAL: Main stream(1280*720@25fps) extra stream(704*576@25fps),
				NTSC: Main stream(1280*720@30fps) extra stream(704*480@30fps),
	Video Bit Rate		H.264H: 16Kbps-8192Kbps; MJPEG: adjustable and bit rate is adjustable. Support customized setup.	
	Video Flip		Support mirror. Support flip function.	
	Snapshot		Max 1f/s snapshot. File extension name is JPEG.	
	Privacy Mask		Supports max 4 privacy mask zones	
	Video Setup		Support parameter setup such as bright, contrast.	
Video Information		Channel title, time title, motion detect, tampering.		
Lens		3.6mm, 6mm. Fixed focus.		
Lens Interface		M12. Lens is the default accessories		
Video	Motion Detect		396 (18*22) detection zones; sensitivity level ranges from 0 to 100; area threshold ranges from 0 to 100. Activation event: video storage, image snapshot, log, email function and etc.	

Record and Backup	Storage Management	Support display network storage status	
	Network	Wire Network	1-channel wire Ethernet port, 10/100 Base-T Ethernet
		Network Protocol	Standard HTTP, TCP/IP, ARP, IGMP, ICMP, RTSP, RTP, UDP, RTCP, SMTP, FTP, DHCP, DNS, DDNS, PPPOE, UPNP, NTP, Bonjour, SNMP.
		Remote Operation	Monitor, system setup, file download, log information, maintenance, upgrade and etc.
IR light		IR distance 20~30m	
General Parameter	Power	DC12V power, PoE.	
	Power Consumption	4.5W MAX	
	Working Temperature	-30℃~+60℃	
	Working Humidify	≤95%	
	Dimensions(mm)	70*66*155	
	Weight	620g	
	Installation	Installation with the bracket.	

Parameter		Model
		IE02MFBNWIY
System	Main Processor	High performance DSP
	OS	Embedded LINUX
	System Resources	Support real-time network, local record, and remote operation at the same time.
	User Interface	Remote operation interface such as WEB, DSS, PSS
	System Status	Bit stream statistics, log, and software version.
Video Parameter	Image Sensor	1/3-inch CMOS
	Pixel	2048 (H) *1536 (V)
	Day/Night Mode	Support day/night mode switch.
	Gain Control	Fixed/Auto
	White Balance	Manual/Auto
	BLC	On/Off
	Exposure Mode	Auto/Manual It ranges from 1/3 to 1/10000.
	Video Compression Standard	H.264/H.264B/H.264H/MJPEG
	Video Frame Rate	PAL: Main stream(1920*960@25fps) extra stream(704*576@25fps),
		NTSC: Main stream(1920*960@30fps) extra stream(704*480@30fps),
Video Bit Rate	H.264H: 16Kbps-8192Kbps; MJPEG: adjustable and bit rate is adjustable. Support customized setup.	
Video Flip	Support mirror. Support flip function.	

	Snapshot	Max 1f/s snapshot. File extension name is JPEG.
	Privacy Mask	Supports max 4 privacy mask zones
	Video Setup	Support parameter setup such as bright, contrast.
	Video Information	Channel title, time title, motion detect, tampering.
	Lens	3.6mm, 6mm, 8mm. Fixed focus.
	Lens Interface	M12. Lens is the default accessories
Video	Motion Detect	396 (18*22) detection zones; sensitivity level ranges from 0 to 100; area threshold ranges from 0 to 100. Activation event: video storage, image snapshot, log, email function and etc.
Record and Backup	Storage Management	Support display network storage status
Network	Wire Network	1-channel wire Ethernet port, 10/100 Base-T Ethernet
	Network Protocol	Standard HTTP, TCP/IP, ARP, IGMP, ICMP, RTSP, RTP,UDP, RTCP, SMTP, FTP, DHCP, DNS, DDNS, PPPOE, UPNP, NTP, Bonjour, SNMP.
	Remote Operation	Monitor, system setup, file download, log information, maintenance , upgrade and etc.
	IR light	IR distance 30m
General Parameter	Power	DC12V power, PoE. Note: 05 series does not support PoE.
	Power Consumption	DC 12V 6W MAX
	Working Temperature	-30℃~+60℃
	Working Humidify	≤95%
	Dimensions(mm)	70*66*155
	Weight (excluding box)	620g
	Installation	Installation with the bracket.

Cable

You can refer to the following figure for cable information. See Figure 2-1

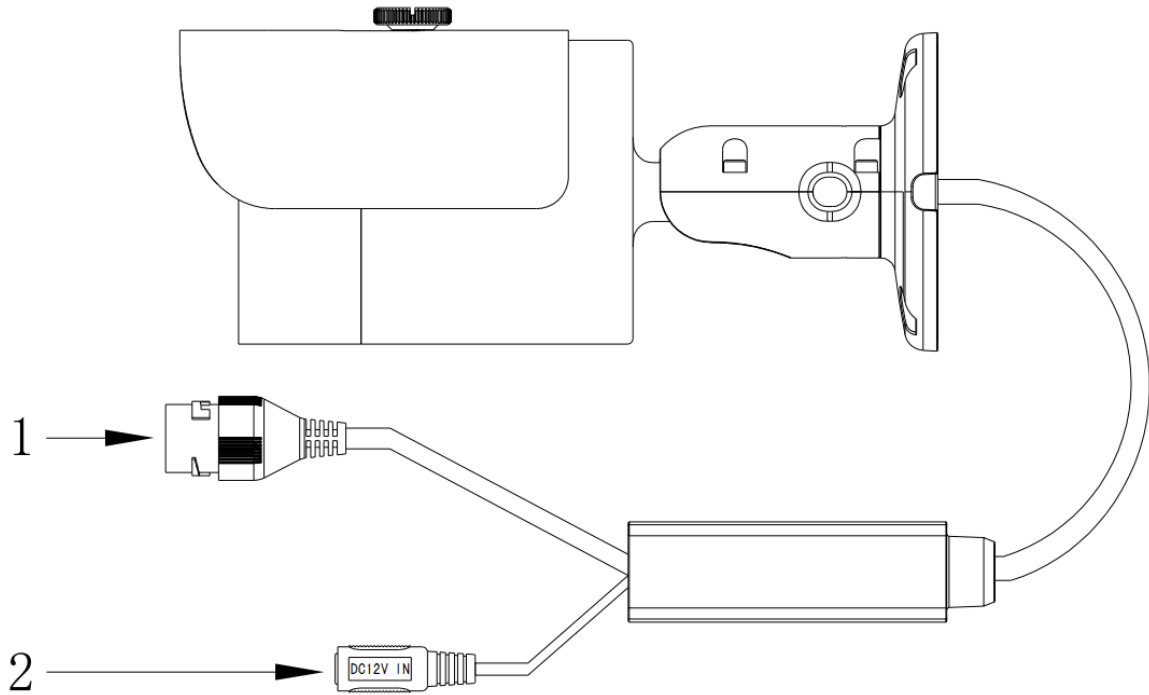


Figure 2-1 Cable

Please refer to the following sheet for detailed information.

No.	Port Name	Function	Connection	Note
1	LAN	Network port	Ethernet port	Connect to standard Ethernet cable. Note: Some devices do not support PoE. Before making crystal head, pull the anti-dust, waterproof cover through network cable.
2	DC 12V	Power input port	/	Power port. Input DC 12V.

Framework and Dimension

Please refer to the following figure for dimension information. The unit is mm. See Figure 2-2 to Figure 2-4.

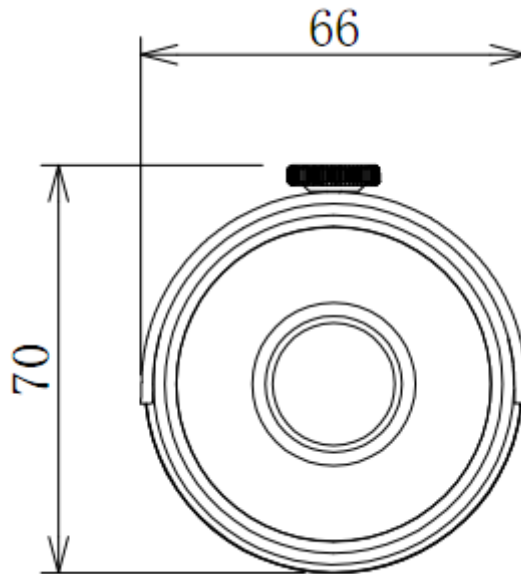


Figure 2-2

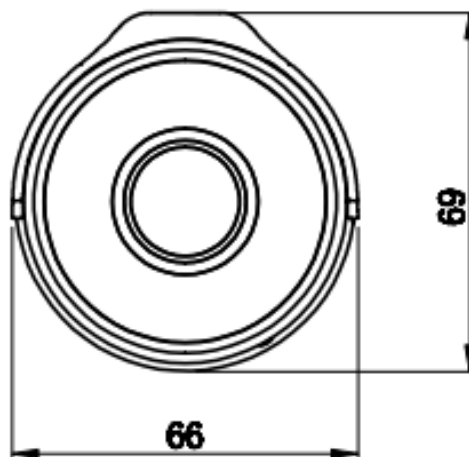


Figure 2-3

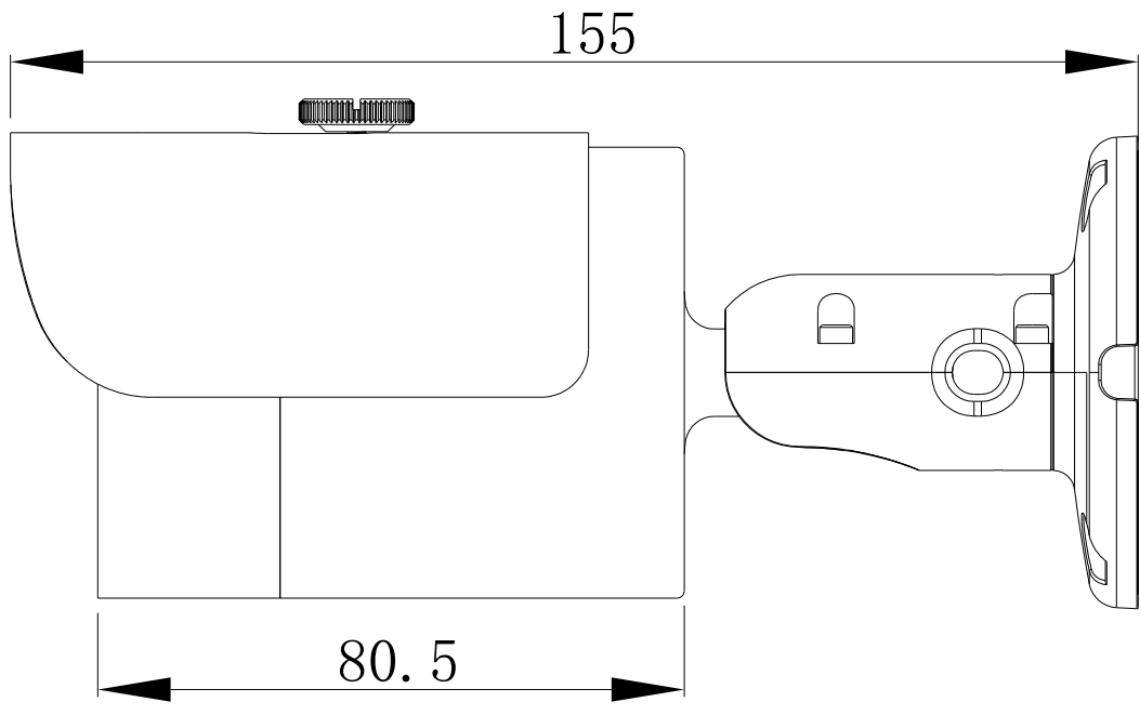


Figure 2-4

Device Installation

Note

Before the installation, please make sure the installation environments can at least support 3x weight of the camera.

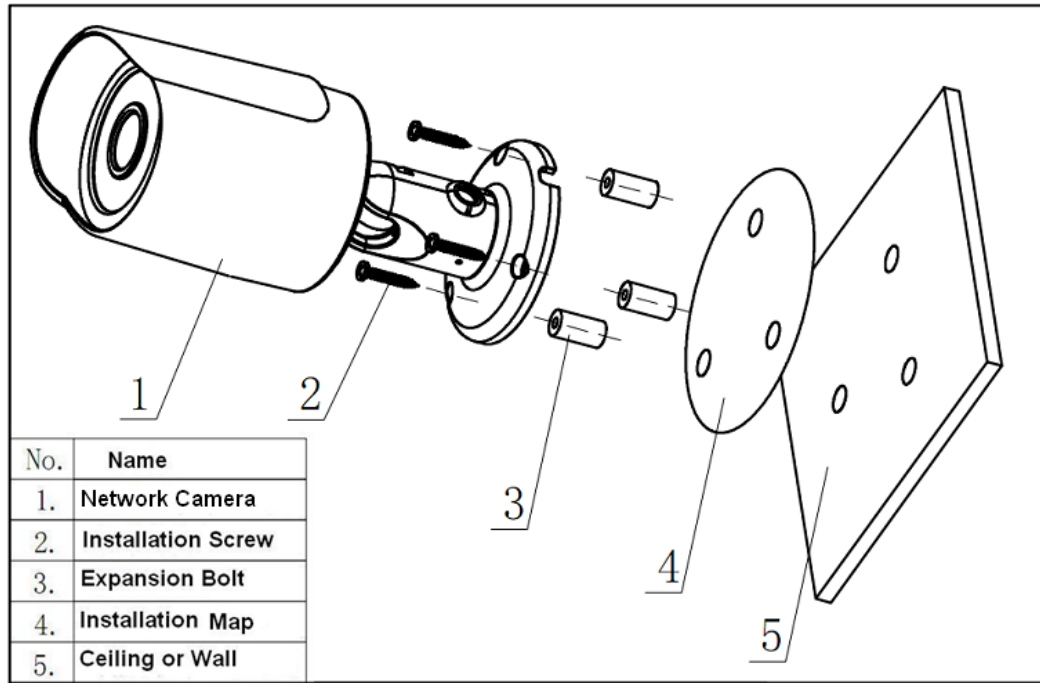


Figure 3-1 Device installation 1

Please see Figure 3-1 and Figure 3-2.

Step 1

Stick installation sticker to designated surface where you will install the device (wall or ceiling).

Step 2

Dig a hole according to position of hole on installation sticker.

Step 3

Open accessories bag, take out expansion bolt and insert it into the hole you just dug.

Step 4

Open accessories bag, take out screw. Tighten the 4 screws to fix the device on the installation surface (wall or ceiling). You can move device sunshade back and forth. When you have fixed the device, you must tighten screws on sunshade.

Step 5

Plug external wiring of the device properly.

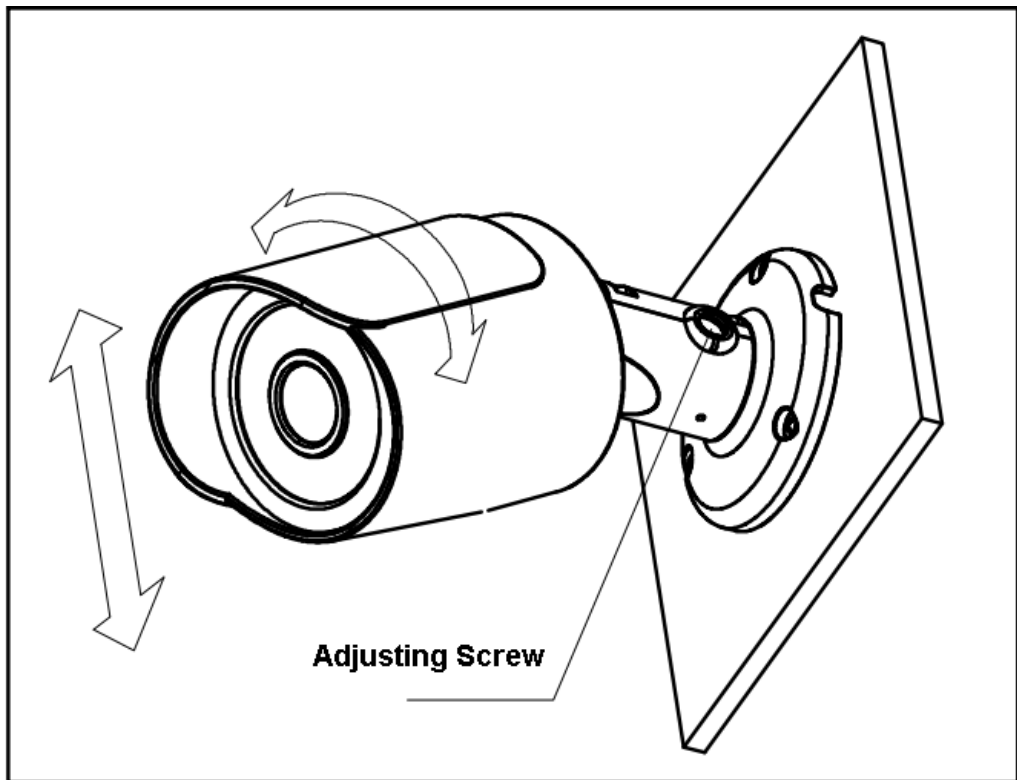


Figure 3-2 Device installation 2

Step 6

Use Philip's head screw (in accessories bag) to loosen adjusting screw.

Step 7

Adjust the device in all possible directions, and set its monitoring direction.

Step 8

Use Philip's head screw to tighten the screws.

Quick Configuration Tool

Overview

Quick configuration tool can search current IP address, modify IP address. At the same time, you can use it to upgrade the device.

Please note the tool only applies to the IP addresses in the same segment.

Operation

Double click the "ConfigTools.exe" icon, you can see an interface is shown as in Figure 4-1.

In the device list interface, you can view device IP address, port number, subnet mask, default gateway, MAC address and etc.

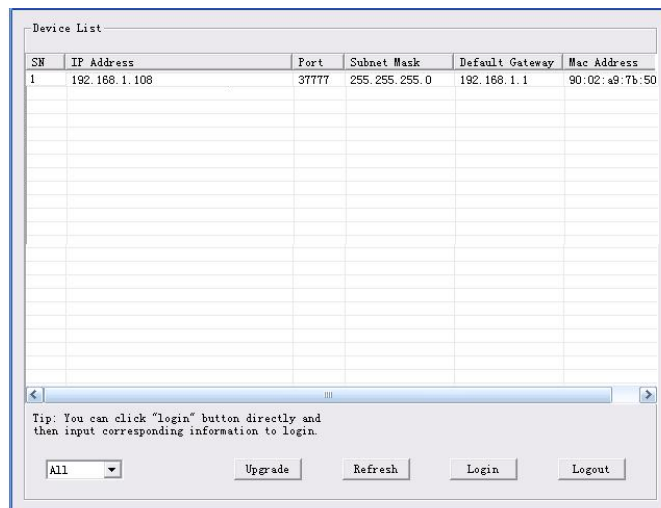


Figure 4-1 Search interface

Select one IP address and then right click mouse, you can see an interface is shown as in Figure 4-2.

Select the "Open Device Web" item; you can go to the corresponding web login interface.

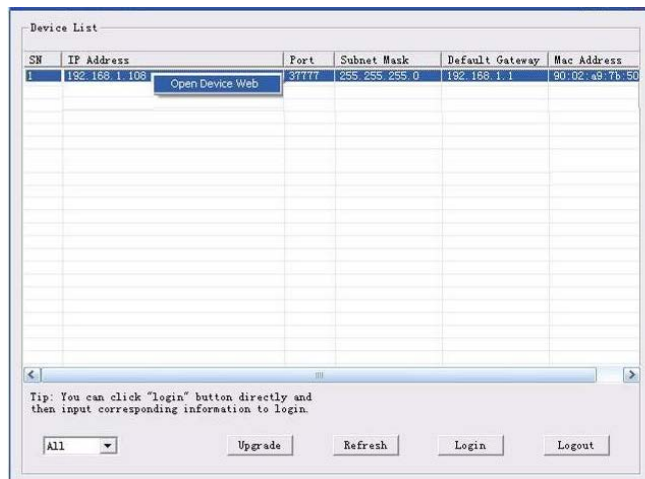


Figure 4-2 Search interface 2

If you want to modify the device IP address without logging in the device web interface, you can go to the configuration tool main interface to set.

In the configuration tool search interface (Figure 4-1), please select a device IP address and then double click it to open the login interface. Or you can select an IP address and then click the Login button to go to the login interface. See Figure 4-3.

In Figure 4-3, you can view device IP address, user name, password and port. Please modify the corresponding information to login.

Please note the port information here shall be identical with the port value you set in TCP port in Web Network interface. Otherwise, you cannot login the device.

If you are using device background upgrade port 3800 to login, other setups are all invalid.

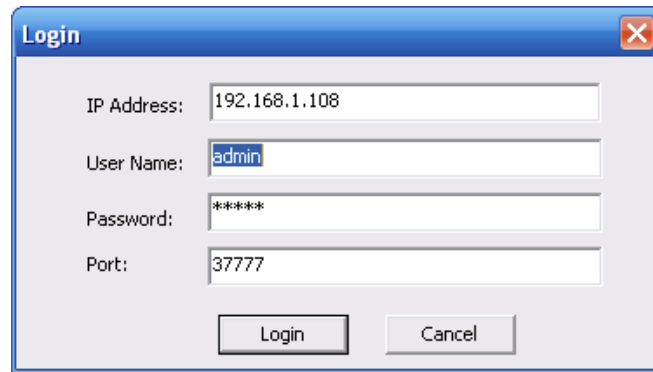
A screenshot of a 'Login' dialog box. The dialog has a title bar with 'Login' and a close button. It contains four input fields: 'IP Address' with '192.168.1.108', 'User Name' with 'admin', 'Password' with '*****', and 'Port' with '37777'. At the bottom, there are two buttons: 'Login' and 'Cancel'.

Figure 4-3 Login prompt

After you logged in, the configuration tool main interface is shown as below. See Figure 4-4.

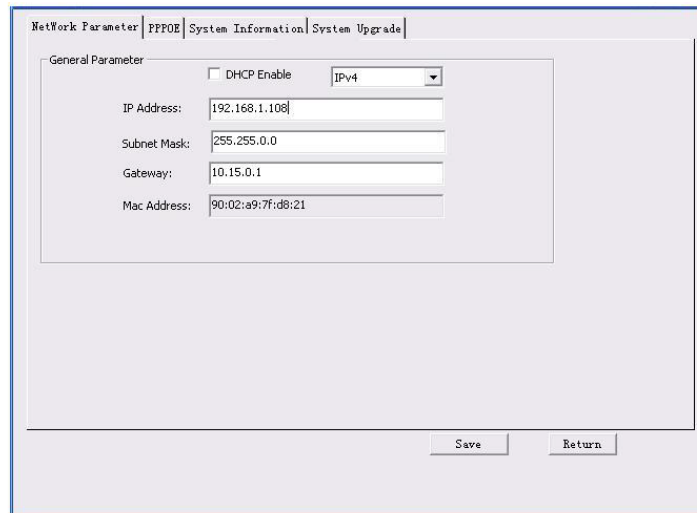
A screenshot of the configuration tool main interface. The window title is 'Network Parameter | PPPoE | System Information | System Upgrade'. The 'General Parameter' section is active, showing a 'DHCP Enable' checkbox (unchecked) and a 'IPv4' dropdown menu. Below are input fields for 'IP Address' (192.168.1.108), 'Subnet Mask' (255.255.0.0), 'Gateway' (10.15.0.1), and 'Mac Address' (90:02:a9:7f:d8:21). At the bottom right, there are 'Save' and 'Return' buttons.

Figure 4-4 Main interface

Web Operation

This series network camera products support the Web access and management via PC.

Web includes several modules: Monitor channel preview, system configuration, alarm and etc.

Network Connection

Please follow the steps listed below for network connection.

- Make sure the network camera has connected to the network properly.
- DHCP is enabled by default.
- Please set the IP address, subnet mask and gateway of the PC and the network camera respectively. Network camera default IP address is 192.168.1.168. Subnet mask is 255.255.255.0. Gateway is 0.0.0.0
- Use order ping `***.***.***.***`(* network camera address) to check connection is OK or not.

Login and Main Interface

Open IE and input network camera address in the address bar. See Figure 5- 1.

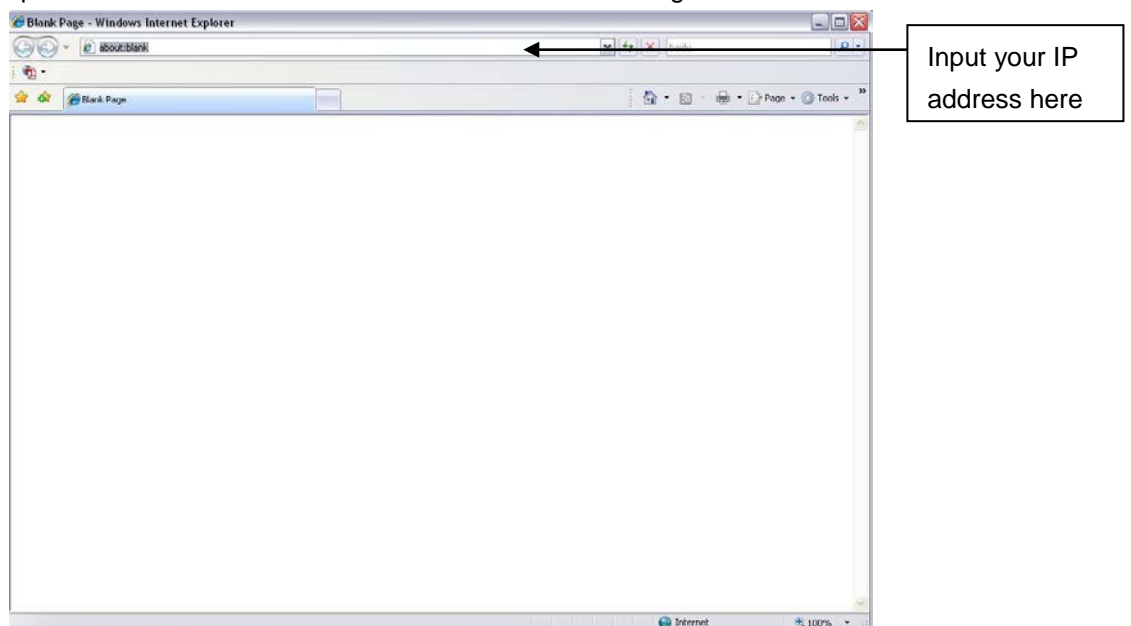


Figure 5- 1 IP address

The login interface is shown as below. See Figure 5- 2.

Please input your user name and password.

Default factory name is admin and password is admin.

Note

For security reasons, please modify your password after you first login.



Figure 5- 2 Web login

After you successfully logged in, please install WEB plug-in unit. Please refer to the Web Operation Manual included in the resource CD for detailed operation instruction.

See Figure 5- 3.

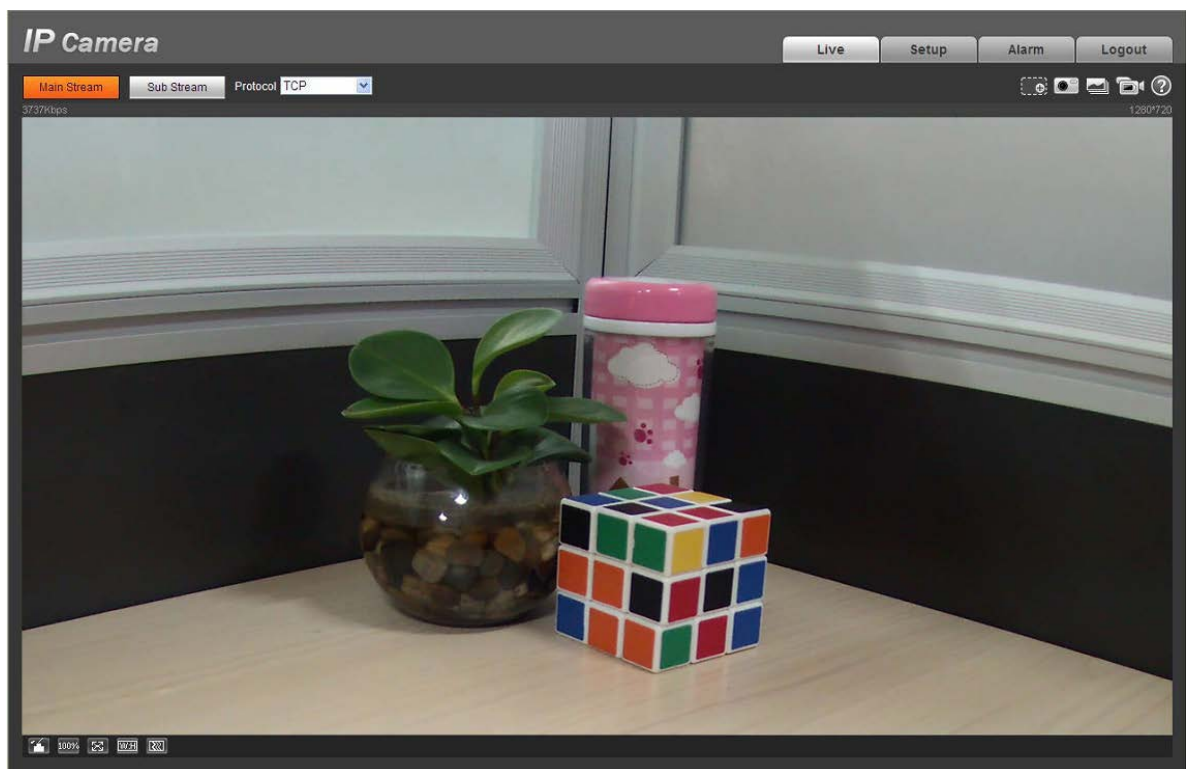


Figure 5- 3 Web monitoring window

Bug	
I can not boot up the device or operate properly.	Please click RESET button for at least five seconds to restore factory default setup.
The water leakage occurred.	<ul style="list-style-type: none"> ● The unauthorized front or rear cap remove many result in water leakage. ● The glass front cap has sustained heavy push or strike. ● The waterproof plug of the rear cap becomes loosen.
IR video is poor.	<ul style="list-style-type: none"> ● Did not use the proper supplying power. The IR light can not turn on completely. ● The object is out of the IR distance range of current device. ● IR-CUT does not turn to the night mode. The photosensitive chip of the front-end can not sense the IR light.
I can not upgrade the device via network.	When network upgrade operation failed, you can use port 3800 to continue upgrade.
I can not login the client-end or the WEB.	<ul style="list-style-type: none"> ● For Windows OS 98 or Windows ME user, if you can not install the client-end or can not view after the installation. We recommend the win2000 sp4 OS or higher, or install the client-end of the low version. ● The Active X control is blocked. ● The display card version shall be dx8.1 or higher. ● Network connection error occurred. ● Invalid network setup. ● Invalid user name or password. ● Client version and device program do not match.
I can not play the download file.	<ul style="list-style-type: none"> ● There is no player. ● There is no DX8.1 or higher. ● For the MEDIA PLAYER, there shall be Div X503Bundle.exe plug in if you play the .AVI file. ● For Windows XP user, you need to install the plug in DivX503Bundle.exe and ffdsho-2004 1012.exe.
To guarantee setup update	After you modified the important setup, please reboot the device via the software to make sure the setup has been updated to the storage medium.
Power adapter	<ul style="list-style-type: none"> ● The general power adapter can work ranging from 0℃ to 40 ℃. The device may result in unstable power supply when the temperature exceeds the working temperature. ● Please replace an industry-level power adapter if you are using in the harsh environments.

Appendix

Toxic or Hazardous Materials or Elements

Component Name	Toxic or Hazardous Materials or Elements					
	Pb	Hg	Cd	Cr VI	PBB	PBDE
Circuit Board Component	○	○	○	○	○	○
Device Case	○	○	○	○	○	○
Wire and Cable	○	○	○	○	○	○
Packing Components	○	○	○	○	○	○
Accessories	○	○	○	○	○	○

O: Indicates that the concentration of the hazardous substance in all homogeneous materials in the parts is below the relevant threshold of the SJ/T11363-2006 standard.

X: Indicates that the concentration of the hazardous substance of at least one of all homogeneous materials in the parts is above the relevant threshold of the SJ/T11363-2006 standard. During the environmental-friendly use period (EFUP) period, the toxic or hazardous substance or elements contained in products will not leak or mutate so that the use of these (substances or elements) will not result in any severe environmental pollution, any bodily injury or damage to any assets. The consumer is not authorized to process such kind of substances or elements, please return to the corresponding local authorities to process according to your local government statutes.

Note

-
- This user's manual is for reference only. Slight difference may be found in user interface.
 - All the designs and software here are subject to change without prior written notice.
 - All trademarks and registered trademarks mentioned are the properties of their respective owners.
 - If there is any uncertainty or controversy, please refer to the final explanation of us.
 - Please visit our website for more information.
-