

PXI™

PXI-8170 Series User Manual

Worldwide Technical Support and Product Information

www.ni.com

National Instruments Corporate Headquarters

11500 North Mopac Expressway Austin, Texas 78759-3504 USA Tel: 512 794 0100

Worldwide Offices

Australia 03 9879 5166, Austria 0662 45 79 90 0, Belgium 02 757 00 20, Brazil 011 284 5011,
Canada (Calgary) 403 274 9391, Canada (Ontario) 905 785 0085, Canada (Québec) 514 694 8521,
China 0755 3904939, Denmark 45 76 26 00, Finland 09 725 725 11, France 01 48 14 24 24,
Germany 089 741 31 30, Greece 30 1 42 96 427, Hong Kong 2645 3186, India 91805275406,
Israel 03 6120092, Italy 02 413091, Japan 03 5472 2970, Korea 02 596 7456, Mexico (D.F.) 5 280 7625,
Mexico (Monterrey) 8 357 7695, Netherlands 0348 433466, New Zealand 09 914 0488, Norway 32 27 73 00,
Poland 0 22 528 94 06, Portugal 351 1 726 9011, Singapore 2265886, Spain 91 640 0085,
Sweden 08 587 895 00, Switzerland 056 200 51 51, Taiwan 02 2528 7227, United Kingdom 01635 523545

For further support information, see the *Technical Support Resources* appendix. To comment on the documentation, send e-mail to techpubs@ni.com.

© Copyright 2000 National Instruments Corporation. All rights reserved.

Important Information

Warranty

The PXI-8170 Series of embedded PXI computers are warranted against defects in materials and workmanship for a period of one year from the date of shipment, as evidenced by receipts or other documentation. National Instruments will, at its option, repair or replace equipment that proves to be defective during the warranty period. This warranty includes parts and labor.

The media on which you receive National Instruments software are warranted not to fail to execute programming instructions, due to defects in materials and workmanship, for a period of 90 days from date of shipment, as evidenced by receipts or other documentation. National Instruments will, at its option, repair or replace software media that do not execute programming instructions if National Instruments receives notice of such defects during the warranty period. National Instruments does not warrant that the operation of the software shall be uninterrupted or error free.

A Return Material Authorization (RMA) number must be obtained from the factory and clearly marked on the outside of the package before any equipment will be accepted for warranty work. National Instruments will pay the shipping costs of returning to the owner parts which are covered by warranty.

National Instruments believes that the information in this document is accurate. The document has been carefully reviewed for technical accuracy. In the event that technical or typographical errors exist, National Instruments reserves the right to make changes to subsequent editions of this document without prior notice to holders of this edition. The reader should consult National Instruments if errors are suspected. In no event shall National Instruments be liable for any damages arising out of or related to this document or the information contained in it.

EXCEPT AS SPECIFIED HEREIN, NATIONAL INSTRUMENTS MAKES NO WARRANTIES, EXPRESS OR IMPLIED, AND SPECIFICALLY DISCLAIMS ANY WARRANTY OF MERCHANTABILITY OR FITNESS FOR A PARTICULAR PURPOSE. CUSTOMER'S RIGHT TO RECOVER DAMAGES CAUSED BY FAULT OR NEGLIGENCE ON THE PART OF NATIONAL INSTRUMENTS SHALL BE LIMITED TO THE AMOUNT THEREFORE PAID BY THE CUSTOMER. NATIONAL INSTRUMENTS WILL NOT BE LIABLE FOR DAMAGES RESULTING FROM LOSS OF DATA, PROFITS, USE OF PRODUCTS, OR INCIDENTAL OR CONSEQUENTIAL DAMAGES, EVEN IF ADVISED OF THE POSSIBILITY THEREOF. This limitation of the liability of National Instruments will apply regardless of the form of action, whether in contract or tort, including negligence. Any action against National Instruments must be brought within one year after the cause of action accrues. National Instruments shall not be liable for any delay in performance due to causes beyond its reasonable control. The warranty provided herein does not cover damages, defects, malfunctions, or service failures caused by owner's failure to follow the National Instruments installation, operation, or maintenance instructions; owner's modification of the product; owner's abuse, misuse, or negligent acts; and power failure or surges, fire, flood, accident, actions of third parties, or other events outside reasonable control.

Copyright

Under the copyright laws, this publication may not be reproduced or transmitted in any form, electronic or mechanical, including photocopying, recording, storing in an information retrieval system, or translating, in whole or in part, without the prior written consent of National Instruments Corporation.

Trademarks

CVI™, LabVIEW™, National Instruments™, ni.com™, NI-488.2™, NI-488.2M™, NI-DAQ™, NI-VISA™, PXI™, and TNT4882C™ are trademarks of National Instruments Corporation.

Product and company names mentioned herein are trademarks or trade names of their respective companies.

WARNING REGARDING USE OF NATIONAL INSTRUMENTS PRODUCTS

(1) NATIONAL INSTRUMENTS PRODUCTS ARE NOT DESIGNED WITH COMPONENTS AND TESTING FOR A LEVEL OF RELIABILITY SUITABLE FOR USE IN OR IN CONNECTION WITH SURGICAL IMPLANTS OR AS CRITICAL COMPONENTS IN ANY LIFE SUPPORT SYSTEMS WHOSE FAILURE TO PERFORM CAN REASONABLY BE EXPECTED TO CAUSE SIGNIFICANT INJURY TO A HUMAN.

(2) IN ANY APPLICATION, INCLUDING THE ABOVE, RELIABILITY OF OPERATION OF THE SOFTWARE PRODUCTS CAN BE IMPAIRED BY ADVERSE FACTORS, INCLUDING BUT NOT LIMITED TO FLUCTUATIONS IN ELECTRICAL POWER SUPPLY, COMPUTER HARDWARE MALFUNCTIONS, COMPUTER OPERATING SYSTEM SOFTWARE FITNESS, FITNESS OF COMPILERS AND DEVELOPMENT SOFTWARE USED TO DEVELOP AN APPLICATION, INSTALLATION ERRORS, SOFTWARE AND HARDWARE COMPATIBILITY PROBLEMS, MALFUNCTIONS OR FAILURES OF ELECTRONIC MONITORING OR CONTROL DEVICES, TRANSIENT FAILURES OF ELECTRONIC SYSTEMS (HARDWARE AND/OR SOFTWARE), UNANTICIPATED USES OR MISUSES, OR ERRORS ON THE PART OF THE USER OR APPLICATIONS DESIGNER (ADVERSE FACTORS SUCH AS THESE ARE HEREAFTER COLLECTIVELY TERMED "SYSTEM FAILURES"). ANY APPLICATION WHERE A SYSTEM FAILURE WOULD CREATE A RISK OF HARM TO PROPERTY OR PERSONS (INCLUDING THE RISK OF BODILY INJURY AND DEATH) SHOULD NOT BE RELIANT SOLELY UPON ONE FORM OF ELECTRONIC SYSTEM DUE TO THE RISK OF SYSTEM FAILURE. TO AVOID DAMAGE, INJURY, OR DEATH, THE USER OR APPLICATION DESIGNER MUST TAKE REASONABLY PRUDENT STEPS TO PROTECT AGAINST SYSTEM FAILURES, INCLUDING BUT NOT LIMITED TO BACK-UP OR SHUT DOWN MECHANISMS. BECAUSE EACH END-USER SYSTEM IS CUSTOMIZED AND DIFFERS FROM NATIONAL INSTRUMENTS' TESTING PLATFORMS AND BECAUSE A USER OR APPLICATION DESIGNER MAY USE NATIONAL INSTRUMENTS PRODUCTS IN COMBINATION WITH OTHER PRODUCTS IN A MANNER NOT EVALUATED OR CONTEMPLATED BY NATIONAL INSTRUMENTS, THE USER OR APPLICATION DESIGNER IS ULTIMATELY RESPONSIBLE FOR VERIFYING AND VALIDATING THE SUITABILITY OF NATIONAL INSTRUMENTS PRODUCTS WHENEVER NATIONAL INSTRUMENTS PRODUCTS ARE INCORPORATED IN A SYSTEM OR APPLICATION, INCLUDING, WITHOUT LIMITATION, THE APPROPRIATE DESIGN, PROCESS AND SAFETY LEVEL OF SUCH SYSTEM OR APPLICATION.

Compliance

FCC/Canada Radio Frequency Interference Compliance*

Determining FCC Class

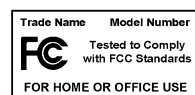
The Federal Communications Commission (FCC) has rules to protect wireless communications from interference. The FCC places digital electronics into two classes. These classes are known as Class A (for use in industrial-commercial locations only) or Class B (for use in residential or commercial locations). Depending on where it is operated, this product could be subject to restrictions in the FCC rules. (In Canada, the Department of Communications (DOC), of Industry Canada, regulates wireless interference in much the same way.)

Digital electronics emit weak signals during normal operation that can affect radio, television, or other wireless products. By examining the product you purchased, you can determine the FCC Class and therefore which of the two FCC/DOC Warnings apply in the following sections. (Some products may not be labeled at all for FCC; if so, the reader should then assume these are Class A devices.)

FCC Class A products only display a simple warning statement of one paragraph in length regarding interference and undesired operation. Most of our products are FCC Class A. The FCC rules have restrictions regarding the locations where FCC Class A products can be operated.

FCC Class B products display either a FCC ID code, starting with the letters **EXN**, or the FCC Class B compliance mark that appears as shown here on the right.

Consult the FCC web site <http://www.fcc.gov> for more information.



FCC/DOC Warnings

This equipment generates and uses radio frequency energy and, if not installed and used in strict accordance with the instructions in this manual and the CE Mark Declaration of Conformity**, may cause interference to radio and television reception. Classification requirements are the same for the Federal Communications Commission (FCC) and the Canadian Department of Communications (DOC).

Changes or modifications not expressly approved by National Instruments could void the user's authority to operate the equipment under the FCC Rules.

Class A

Federal Communications Commission

This equipment has been tested and found to comply with the limits for a Class A digital device, pursuant to part 15 of the FCC Rules. These limits are designed to provide reasonable protection against harmful interference when the equipment is operated in a commercial environment. This equipment generates, uses, and can radiate radio frequency energy and, if not installed and used in accordance with the instruction manual, may cause harmful interference to radio communications. Operation of this equipment in a residential area is likely to cause harmful interference in which case the user will be required to correct the interference at his own expense.

Canadian Department of Communications

This Class A digital apparatus meets all requirements of the Canadian Interference-Causing Equipment Regulations.

Cet appareil numérique de la classe A respecte toutes les exigences du Règlement sur le matériel brouilleur du Canada.

Class B

Federal Communications Commission

This equipment has been tested and found to comply with the limits for a Class B digital device, pursuant to part 15 of the FCC Rules. These limits are designed to provide reasonable protection against harmful interference in a residential installation. This equipment generates, uses and can radiate radio frequency energy and, if not installed and used in accordance with the instructions, may cause harmful interference to radio communications. However, there is no guarantee that interference will not occur in a particular installation. If this equipment does cause harmful

interference to radio or television reception, which can be determined by turning the equipment off and on, the user is encouraged to try to correct the interference by one or more of the following measures:

- Reorient or relocate the receiving antenna.
- Increase the separation between the equipment and receiver.
- Connect the equipment into an outlet on a circuit different from that to which the receiver is connected.
- Consult the dealer or an experienced radio/TV technician for help.

Canadian Department of Communications

This Class B digital apparatus meets all requirements of the Canadian Interference-Causing Equipment Regulations.

Cet appareil numérique de la classe B respecte toutes les exigences du Règlement sur le matériel brouilleur du Canada.

European Union - Compliance to EEC Directives

Readers in the EU/EEC/EEA must refer to the Manufacturer's Declaration of Conformity (DoC) for information** pertaining to the CE Mark compliance scheme. The Manufacturer includes a DoC for most every hardware product except for those bought for OEMs, if also available from an original manufacturer that also markets in the EU, or where compliance is not required as for electrically benign apparatus or cables.

* Certain exemptions may apply in the USA, see FCC Rules §15.103 **Exempted devices**, and §15.105(c). Also available in sections of CFR 47.

** The CE Mark Declaration of Conformity will contain important supplementary information and instructions for the user or installer.

Contents

About This Manual

How to Use This Documentation Set	xi
Acrobat (Online) Documentation	xi
Conventions	xii
Related Documentation.....	xiii

Chapter 1

Introduction

Overview.....	1-1
What You Need to Get Started	1-2
Hardware Description	1-3
Benefits of PXI.....	1-3
PXI-8170 Series Design	1-3
PXI-8170 Series Models.....	1-4
Memory	1-4
Hard Drive.....	1-4
System Slot Functionality.....	1-4
Front Panel Features	1-4
Peripheral Expansion.....	1-5
PXI-1020 and PXI-1025 Chassis Support.....	1-6
PXI-1020 Chassis.....	1-6
National Instruments Software	1-7
Files and Directories Installed on Your Hard Drive	1-8

Chapter 2

Functional Overview

PXI-8170 Functional Description	2-1
---------------------------------------	-----

Chapter 3

PXI-8170 Series Installation

Default Settings.....	3-1
Installing the PXI-8170 Series	3-4
How to Remove the Unit from the PXI Mainframe	3-7
Setting up the PXI-8170 Series.....	3-7

Chapter 4 BIOS

Entering BIOS Setup	4-1
Default BIOS Setup Settings	4-1
BIOS Setup for LCD Support.....	4-1
Updating the BIOS	4-2

Appendix A Configuring the PXI-8170 Series

Installed System RAM	A-1
System CMOS	A-1
LCD Resolution and Enable.....	A-2
Keyboard and Mouse.....	A-2
Serial IRQ, INTP, and INTS	A-3
Onboard Video	A-4

Appendix B Specifications

Appendix C PXI-8170 Series System Resources

PCI Interrupts	C-1
Resource Tables.....	C-1

Appendix D LED Indicators

Interface Status and Access LEDs.....	D-1
---------------------------------------	-----

Appendix E Front Panel and Connectors

Front Panel.....	E-1
Keyboard and Mouse.....	E-3
VGA	E-4
COM1	E-5
Parallel Port	E-6
Universal Serial Bus	E-8
PXI Connectors	E-9

Appendix F Common Questions

Appendix G Technical Support Resources

Glossary

Index

Figures

Figure 1-1.	PXI-8170 Embedded Computer	1-2
Figure 2-1.	PXI-8170 Series Block Diagram	2-2
Figure 3-1.	PXI-8170 Series I/O Board Parts Locator Diagram	3-3
Figure 3-2.	PXI-8170 Series CPU Board Parts Locator Diagram	3-4
Figure 3-3.	PXI-8170 Installed in a PXI Mainframe	3-6
Figure A-1.	System CMOS	A-2
Figure A-2.	LCD Resolution Setting	A-2
Figure A-3.	Active Keyboard Port	A-3
Figure A-4.	Active Mouse Port	A-3
Figure A-5.	INTP Configuration	A-4
Figure A-6.	INTS Configuration	A-4
Figure A-7.	Onboard Video	A-4
Figure E-1.	PXI-8170 Front Panel Layout and Dimensions	E-2
Figure E-2.	Keyboard and Mouse Connectors Location and Pinout	E-3
Figure E-3.	VGA Connector Location and Pinout	E-4
Figure E-4.	COM1 Connector Location and Pinout	E-5
Figure E-5.	Parallel Port Connector Location and Pinout	E-6
Figure E-6.	USB Connector Location and Pinout	E-8
Figure E-7.	PXI Connectors Location and Pinout	E-9

Tables

Table 1-1.	PXI-8170 Series Peripherals Overview	1-5
Table 3-1.	Jumpers on CPU Board.....	3-1
Table 3-2.	Switches on CPU Board.....	3-2
Table 3-3.	Jumpers on I/O Board	3-3
Table C-1.	PXI-8170 Series ISA Interrupt Resource Allocations	C-1
Table E-1.	Keyboard and Mouse Connector Signals.....	E-3
Table E-2.	VGA Connector Signals	E-4
Table E-3.	COM1 Connector Signals	E-6
Table E-4.	Parallel Port Connector Signals	E-7
Table E-5.	USB Connector Signals	E-8
Table E-6.	P2 Connector Pinouts for the System Controller Slot	E-10
Table E-7.	P1 Connector Pinouts for the System Controller Slot	E-11

About This Manual

This manual contains detailed instructions for installing and configuring your National Instruments PXI-8170 Series embedded computer kit. The PXI-8170 Series includes all models of the PXI-8170 embedded PXI computer.

How to Use This Documentation Set

Begin by reading *Set Up Your PXI-8170 Series Controller*, a brief quick-start guide that describes how to install and get started with your controller.

This manual, the *PXI-8170 Series User Manual*, contains more details about changing the installation or configuration from the defaults, and about using the hardware.

If you ordered either LabVIEW or LabWindows/CVI, you received full documentation along with a configuration disk to unlock and access these application programming environments, which are already installed on your hard drive.




Acrobat (Online) Documentation

To learn more about using NI-VISA, your kit includes online manuals in the form of Adobe Acrobat version 3.0 portable document format (PDF) files. The Acrobat manuals and their installed locations are as follows:

- The *NI-VISA User Manual* describes how to program using NI-VISA: **Start»Programs»VXIpn»NI-VISA User Manual**
- The *NI-VISA Programmer Reference Manual* describes in detail the attributes, events, and operations you use in NI-VISA: **Start»Programs»VXIpn»NI-VISA Programmer Reference Manual**

If you do not have Adobe Acrobat Reader 3.0, you can download a copy from the Adobe Web site at <http://www.adobe.com/>

Conventions

	The following conventions appear in this manual:
	This icon denotes a note, which alerts you to important information.
	This icon denotes a caution, which advises you of precautions to take to avoid injury, data loss, or a system crash.
	This icon denotes a warning, which advises you of precautions to take to avoid being electrically shocked.
bold	Bold text denotes items that you must select or click on in the software, such as menu items and dialog box options. Bold text also denotes parameter names.
<i>italic</i>	Italic text denotes variables, emphasis, a cross reference, or an introduction to a key concept. This font also denotes text that is a placeholder for a word or value that you must supply.
monospace	Text in this font denotes text or characters that you should enter from the keyboard, sections of code, programming examples, and syntax examples. This font is also used for the proper names of disk drives, paths, directories, programs, subprograms, subroutines, device names, functions, operations, variables, filenames and extensions, and code excerpts.
monospace bold	Bold text in this font denotes the messages and responses that the computer automatically prints to the screen. This font also emphasizes lines of code that are different from the other examples.
PXI-8170 Series	The terms <i>PXI-8170 Series</i> and <i>PXI-8170</i> refer to a series of 3U PXI controllers. Currently, this series consists of the PXI-8170, with various processors and in different speeds.

Related Documentation

The following documents contain information you may find helpful as you read this manual:

- *PICMG 2.0 R2.1 CompactPCI Specification*, PCI Industrial Computers Manufacturers Group
- IEEE Standard P1284.1-1997 (*C/MM*) *Standard for Information Technology for Transport Independent Printer/System Interface*
- *PCI Local Bus Specification*, Revision 2.1, PCI Special Interest Group
- *PXI Specification*, Revision 1.0, National Instruments Corporation
- *Serialized IRQ Support for PCI Systems Specification*, Revision 6.0, Compaq Computer et al.

Introduction

This chapter describes the PXI-8170 Series of embedded PXI computers, what you need to get started, optional equipment and software, and gives an overview of the directory structure on your hard drive.

Overview

The PXI-8170 Series controller is a 3U PXI/CompactPCI embedded computer based on the Peripheral Component Interface (PCI) bus and Industry Standard Architecture (ISA). The computer is a high-performance, easy-to-use platform for controlling PCI systems, featuring complete PCI eXtensions for Instrumentation (PXI) functionality through interactive utilities and C function calls

Figure 1-1 shows a PXI-8170 module. Refer to Appendix E, *Front Panel and Connectors*, to determine the purpose for each connector on the module.

The PXI-8170 is a custom computer that you install directly in the system controller slot of your PXI mainframe. An embedded computer can take full advantage of the PXI high-performance backplane capabilities.

The PXI-8170 is compatible with PC-compatible software tools, the National Instruments LabVIEW and LabWindows/CVI application software, and the NI-VISA, NI-488.2M, and NI-DAQ software.

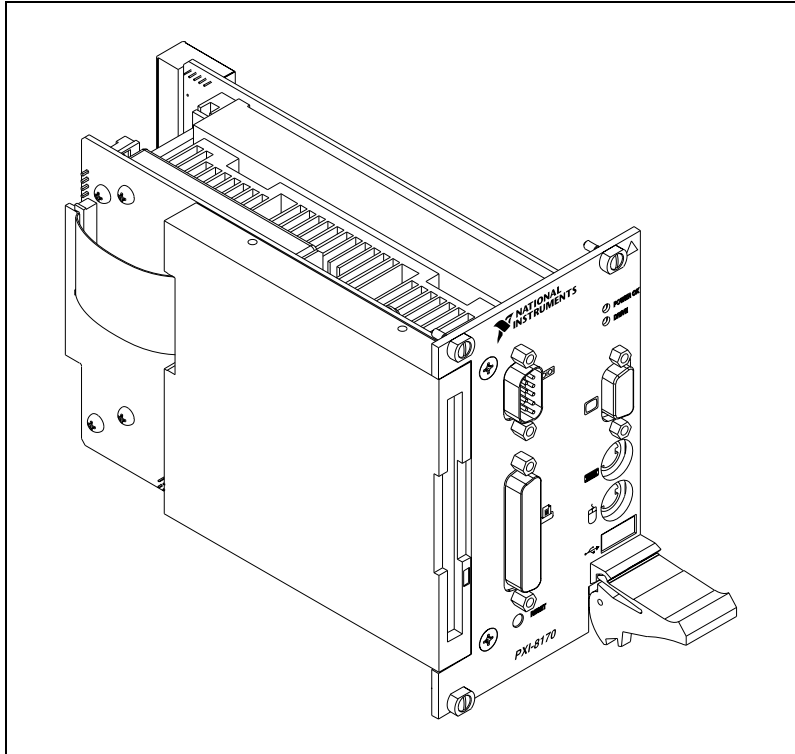


Figure 1-1. PXI-8170 Embedded Computer

What You Need to Get Started

- PXI-8170 Series embedded controller
- PXI bus mainframe
- PS/2 keyboard or USB (**Windows 98 only**) keyboard
- Serial, PS/2, or USB (**Windows 98 only**) mouse
- Monitor with VGA or better resolution



Note For PXI-8170 installation instructions, refer to the *Installing the PXI-8170 Series* section in Chapter 3, *PXI-8170 Series Installation*.

Hardware Description

Benefits of PXI

The PXI-8170 Series PXI/CompactPCI embedded computer is a high-performance CompactPCI-compatible system controller that is compatible with the PXI bus specification. PXI defines a compact modular PC platform for industrial instrumentation. PXI leverages the PCI bus, which is the *de facto* standard for today's desktop computer software and hardware designs. As a result, PXI users receive all the benefits of PCI within an architecture that supports mechanical, electrical, and software features tailored to industrial instrumentation, data acquisition, and automation applications.

Well-suited for industrial applications, PXI leverages from the CompactPCI specification, which defines a rugged form factor for PCI that offers superior mechanical integrity and easy installation and removal of hardware components. PXI products offer higher and more carefully defined levels of environmental performance required by the vibration, shock, temperature, and humidity extremes of industrial environments. PXI adds mandatory environmental testing and active cooling to the CompactPCI mechanical specification to ease system integration and ensure multivendor interoperability.

Additionally, PXI meets the more specific needs of instrumentation users by adding an integrated trigger bus and reference clock for multiple-board synchronization, a star trigger bus for very precise timing, and local buses for side-band communication between adjacent peripherals.

PXI-8170 Series Design

The PXI-8170 PXI embedded computer is a high-performance PXI system controller with standard I/O features built in. The PXI-8170 uses state-of-the-art technology and packaging to create a fully PC-compatible controller for PXI. Due to the unique design and packaging, the computer has onboard AGP video and connects to the PXI bus without the need of a PCI-to-PCI bridge. As a result, it preserves the full 132 Mbytes/s PCI bandwidth for other PXI boards. In addition, the PXI-8170 supports masters in all seven available PXI slots.

The PXI-8170 design includes the standard PC ports (that is, serial, parallel, USB, PS2 mouse and PS2 keyboard). It also has two user-accessible SO-DIMM sockets, so it is easy to upgrade memory. The unique packaging includes a built-in 1.44 MB floppy drive and 2.5 in.

hard drive. The mechanical assembly of the PXI-8170 mounts these devices to the PXI-8170 main board so you can remove the entire unit intact. This eases integration issues and cabling. The PXI-8170 plugs directly into the system controller slot and expands to the left, thus preserving all usable PXI slots for user-defined peripheral devices.

PXI-8170 Series Models

Currently, the PXI-8170 Series consists of a 450 MHz Pentium III model and a 700 MHz Pentium III model.

The PXI-8170 comes complete with a 3.5 in. 1.44 MB floppy drive, Super VGA with 2 MB SGRAM, a serial port, an IEEE 1284 parallel port, a PS/2 keyboard and mouse, a USB connector, and software installed.

Memory

The PXI-8170 and its memory sockets are easily accessible so you can install additional DRAM in the field. You can install up to 256 MB of 10 ns SDRAM, using two 144-pin SO-DIMMS.

For information on adding RAM by installing SO-DIMMs, refer to Appendix B, [Specifications](#).

Hard Drive

The PXI-8170 contains at least a 4 GB internal, enhanced IDE hard disk.

System Slot Functionality

You can use the PXI-8170 computers to achieve full PXI system slot control of your PXI system. In the system slot, the PXI-8170 provides master/slave capabilities to all slots in the PXI system.

Front Panel Features

The PXI-8170 Series has the following front-panel features:

- Internal 3.5 in. floppy drive
- System reset push-button (hold for ~ 2 seconds for reset to assert)

- Front-panel connectors:
 - RS-232 Serial
 - Extended Capabilities Parallel (ECP)
 - VGA Controller
 - Universal Serial Bus (USB)
 - PS/2-style keyboard
 - PS/2-style mouse
- Two front-panel LEDs that show PC status
 - **POWER OK** LED indicates that the power is on and reset is no longer asserted.
 - **DRIVE** LED indicates when an access to the internal hard disk is occurring.

Peripheral Expansion

The PXI-8170 uses Accelerated Graphics Port (AGP) and PCI local bus for peripheral expansion. AGP is a new generation high-performance component level interconnect graphics interface. AGP 1x provides a bus speed of 266 Mbytes/s. The PCIbus is a 32-bit multimaster bus that achieves a top throughput of 132 Mbytes/s and can handle numerous peripherals.

For information on installing and configuring these peripherals for use with the PXI-8170, refer to the `C:\Images\Pxi8170` directory. The `drivers.txt` file explains how to install support for each peripheral. This directory also contains manufacturers' documentation for the peripherals. Also, refer to the `readme` files for the most up-to-date information.

Table 1-1 lists the various peripherals and describes the external connector, its bus interface, and its function.

Table 1-1. PXI-8170 Series Peripherals Overview

Peripheral	External Connector	ISA, PCI, or AGP	Function
Video	15-pin DSUB (standard VGA)	AGP	High-resolution/color support for a Super VGA monitor
IDE	None	PCI	Supports internal fast ATA-3 hard drive

Table 1-1. PXI-8170 Series Peripherals Overview (Continued)

Peripheral	External Connector	ISA, PCI, or AGP	Function
Serial	Serial Port (9-pin DSUB)	ISA	16550 serial ports
Parallel	Parallel Port (IEEE 1284)	ISA	Extended capabilities
USB	4-pin Series A receptacle	PCI	Universal Serial Bus
Keyboard/Mouse	PS/2	ISA	PS/2-style keyboard and mouse
Watchdog Timer	None	ISA	Indicates when timer is not refreshed

PXI-1020 and PXI-1025 Chassis Support

The PXI-8170 Series controller is designed to interface directly to PXI-1020 and PXI-1025 chassis. This interface contains the signals required to control a TFT LCD, an IDE device (slave), a PS/2 keyboard, and a PS/2 mouse.

Because the keyboard/mouse controller on the PXI-8170 Series supports only one keyboard and one mouse at a time, the controller has two switches you can use to control whether to enable either the keyboard and mouse ports on the front panel of the PXI-8170 or the built-in chassis devices. Refer to the *Keyboard and Mouse* section in Appendix A, *Configuring the PXI-8170 Series*, for switch settings.

PXI-1020 Chassis

The PXI-1020 chassis currently does not contain a built-in keyboard.

When using the PXI-8170 Series controller with the PXI-1020 chassis, the LCD may be dimmed through software. The software is located on your hard drive in the C:\Images\PXI8170\LCD directory. Also, with this chassis you can select whether the LCD is enabled while booting or off until the operating system loads and software turns it on. Refer to Chapter 3, *PXI-8170 Series Installation*, for the jumper settings and Chapter 4, *BIOS*, for LCD BIOS settings.

National Instruments Software

National Instruments has developed several software kits that you can use with the PXI-8170 Series. The software is already installed on your hard drive.

NI-DAQ has an extensive library of functions that you can call from your application programming environment. These functions include routines for analog input (A/D conversion), buffered data acquisition (high-speed A/D conversion), analog output (D/A conversion), waveform generation, digital I/O, counter/timer operations, SCXI, RTSI, self-calibration, messaging, and acquiring data to extended memory.

NI-VISA is the National Instruments implementation of the VISA specification. VISA is a uniform API for communicating and controlling Serial, GPIB, PXI, VXI, and various other types of instruments. This API aids in the creation of more portable applications and instrument drivers. For information on writing your own PXI instrument driver with NI-VISA, see the *NI-VISA Getting Started* manual and the `readme.txt` file in the NI-VISA directory.

You can also use the National Instruments LabVIEW and LabWindows/CVI application programs and instrument drivers to ease your programming task. These standardized programs match the modular virtual instrument capability of PXI and can reduce your PXI software development time. These programs feature extensive libraries of GPIB, Serial, and VXI instrument drivers written to take full advantage of direct PXI control. LabVIEW and LabWindows/CVI include all the tools needed for instrument control, data acquisition, analysis, and presentation.

LabVIEW is a complete programming environment that departs from the sequential nature of traditional programming languages and features a graphical programming environment.

LabWindows/CVI is an interactive C development environment for building test and measurement and instrument control systems. It includes interactive code-generation tools and a graphical editor for building custom user interfaces.

Files and Directories Installed on Your Hard Drive

Your hard drive includes a directory called `images` in its root that contains software and soft copies of manuals for the operating system and peripherals. The directory structure under the `images` directory is logically organized into several levels.

In the `images` directory itself, you will find a `manuals` directory, an `os` directory, and directories for each of the peripherals of your computer.

The `manuals` directory contains quick reference guides, technical reference manuals, and National Instruments software manuals, all in Adobe Acrobat format. To access any of these manuals, change your directory to `c:\images\pxi8170>manuals` and list the contents of that directory. You will see several files, one corresponding to each peripheral.

The `os` directory contains a subdirectory corresponding to the operating system installed on your computer. That subdirectory contains an image of the CD from which your operating system was installed, so you do not need to insert the CD when you install a new peripheral. When the software prompts you to insert the CD, direct the system to look in the `images\os` directory instead.

For example, if your system has Windows 98 installed, you should find an image of the Windows 98 CD in `c:\images\os\win98`.

The rest of the directories correspond to each peripheral in your system. Within each of these directories are the drivers for the peripherals. These files and directories are copied exactly from the distribution disks of the manufacturers, so the naming conventions vary from peripheral to peripheral.

Because the naming conventions may not be completely straightforward, National Instruments provides a text file named `drivers.txt` in the `c:\images\pxi8170` directory. The `drivers.txt` file explains how to install support for each peripheral. You may want to print this file for reference when you install your peripheral device drivers.

Functional Overview

This chapter contains functional descriptions of each major logic block on the PXI-8170 Series embedded computers.

PXI-8170 Functional Description

The PXI-8170 is a modular PC in a PXI 3U-size form factor.

Figure 2-1 is a functional block diagram of the PXI-8170 Series. Following the diagram is a description of each logic block shown.

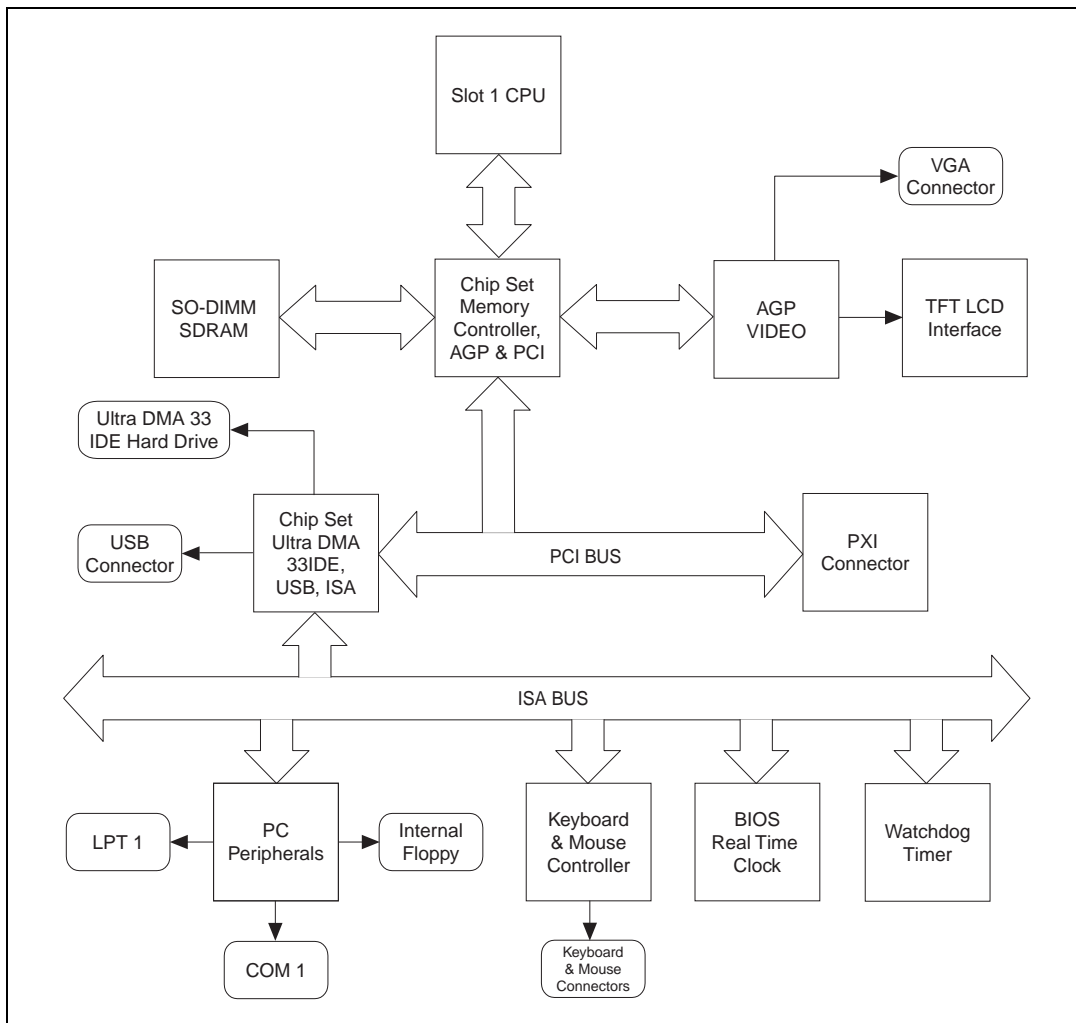


Figure 2-1. PXI-8170 Series Block Diagram

The PXI-8170 consists of the following logic blocks on the CPU module and the I/O (daughter card) module. The CPU module has the following logic blocks:

- *Slot 1 CPU* is the socket definition for the Intel Pentium II and III processor families.
- The *SO-DIMM* block consists of two 64-bit SDRAM sockets that can hold up to 128 MB each.
- The *Chip Set North Bridge* connects to the CPU, SDRAM, AGP port, and PCI bus.
- The *Chip Set South Bridge* connects to the PCI bus USB, IDE, and ISA ports.
- The *AGP video circuitry* is a 1x AGP-based design that has 2 MB of video RAM. It also contains a *TFT LCD Interface*, which is used in the National Instruments PXI-1020 and PXI-1025 chassis.
- The *USB connector* connects the chip set to the Universal Serial Bus interface.
- The *PXI connector* connects the PXI-8170 to the PXI/CompactPCI backplane.
- The *Keyboard/Mouse* block contains the PS/2 keyboard and mouse interface.
- The *BIOS/RTC* block contains the boot Basic Input Output System (BIOS) and the Real Time Clock interface.
- The *Watchdog Timer* block is the circuitry that, once configured, signals if the timer is not refreshed. Refer to the `drivers.txt` file in the `C:\Images\PXI8170` directory for more information on configuring and using the watchdog timer.
- The *PC Peripherals* blocks represent the other peripherals supplied by the PXI-8170 Series. The PXI-8170 has one serial port, an ECP/EPP parallel port, and a 1.44 MB, 3.5 in. floppy drive.
- The *IDE* block is dedicated PCI-IDE circuitry providing fast ATA-3 transfers to the internal hard drive. The IDE feature is built into the chip set.

The I/O module has the following logic blocks:

- Internal 1.44 MB floppy drive
- 2.5 in. hard drive—4 GB or larger
- TFT LCD interface for PXI-1020 and PXI-1025 chassis

PXI-8170 Series Installation

This chapter contains basic instructions for setting up the PXI-8170 embedded computer.

You can use this chapter as a guide to configure and operate your PXI system quickly using the PXI-8170 Series. This chapter assumes that you intend to perform a basic configuration as follows:

- You have one PXI mainframe in which you will be using the PXI-8170.
- You will use the default settings.

The PXI-8170 Series default settings are listed below. If you want to use a different configuration, refer to Appendix A, [Configuring the PXI-8170 Series](#), for information about changing the settings.



Caution Electrostatic discharge can damage several components on your PXI-8170 module. To avoid such damage in handling the module, touch the antistatic plastic package to a metal part of your PXI mainframe before removing the module from the package.

Default Settings

This section summarizes the hardware default settings for the PXI-8170 Series for easy reference. The module is set at the factory for the most commonly used configuration.

Tables 3-1, 3-2, and 3-3 list the factory-default settings (in bold type) and options for the onboard jumpers and switches. Two jumpers and three switches are on the CPU board, and three jumpers are on the I/O board.

Table 3-1. Jumpers on CPU Board

	Pin	Function (Default Setting in Bold)
Clear CMOS	J4: 3-5 short	Clear CMOS
	J4: 1-3 short	Normal operation
Onboard Video Enable	J4: 2-4 short	Onboard video enabled
	J4: 4-6 short	Onboard video disabled

Table 3-1. Jumpers on CPU Board (Continued)

	Pin	Function (Default Setting in Bold)
Legacy IRQ—INTP	J7: 3-5 short	INTP connects to NMI
	J7: 1-3 short	INTP connects to IRQ14
	J7: 3 open	INTP not connected
Legacy IRQ—INTS	J7: 4-6 short	INTS connects to serialized IRQ
	J7: 2-4 short	INTS connects to IRQ15
	J7: 4 open	INTS not connected
Active Keyboard Port	S1: up	Controller front panel keyboard port
	S1: down	Chassis keyboard (if available)
Active Mouse Port	S2: up	Controller front panel mouse port
	S2: down	Chassis mouse (if available)

Table 3-2. Switches on CPU Board

Function	Switch (X = Off, O = On)				Setting (Default Setting in Bold)
LCD Resolution Mode/LCD Enable	S3: 1	S3: 2	S3: 3	S3: 4	
	O	O	O	O	No LCD
	O	X	O	X	640 × 480/ LCD enabled
	O	X	X	X	800 × 600/ LCD enabled
	Others				Reserved

Table 3-3. Jumpers on I/O Board

	Pin	Function (Default Setting in Bold)
LCD Sleep Control	W1: 1-2 short	LCD always on
	W1: 2-3 short	LCD in sleep mode at power-on; software enables the LCD
LCD Dimming Control	W2: 1-2 short	LCD software dimming control always enabled
	W2: 2-3 short	LCD at full brightness at power-on; software can enable dimming control
LCD Backlight Supply Voltage	W4: 1-2 short	PXI-1020 and PXI-1025
	W4: 2-3 short	Reserved

Figures 3-1 and 3-2 show the location and factory-default settings of the configuration switches and jumpers on the PXI-8170 Series.

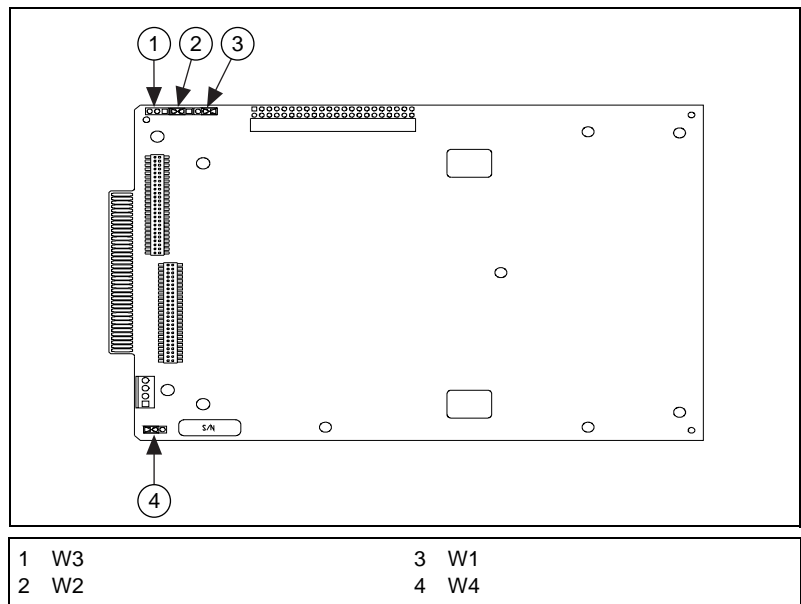


Figure 3-1. PXI-8170 Series I/O Board Parts Locator Diagram

Figure 3-2 shows the CPU board.

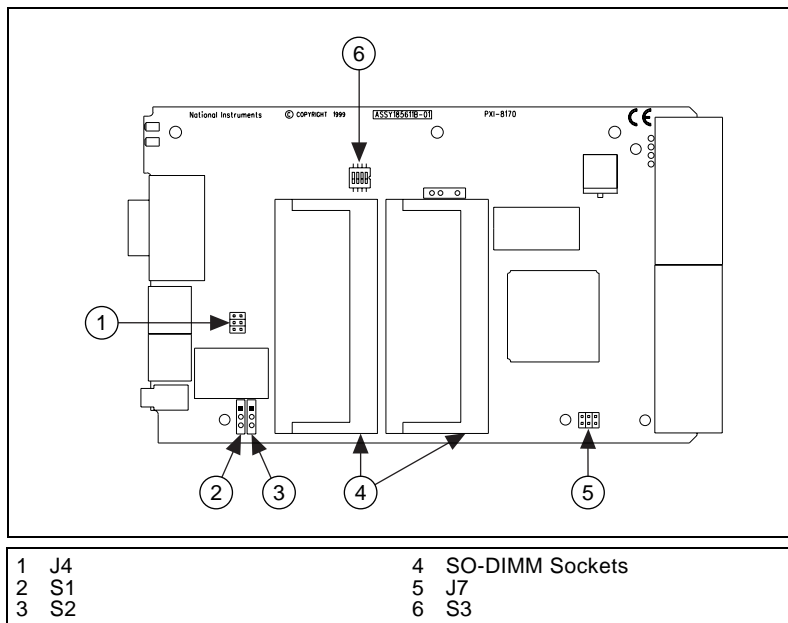


Figure 3-2. PXI-8170 Series CPU Board Parts Locator Diagram

Installing the PXI-8170 Series

This section contains general installation instructions for the PXI-8170. Consult your PXI mainframe user manual for specific instructions and warnings.

1. Plug in your mainframe before installing the PXI-8170. The power cord grounds the mainframe and protects it from electrical damage while you install the module. (Make sure the power switch is turned off.)



Warning To protect both yourself and the mainframe from electrical hazards, leave the mainframe off until you finish installing the PXI-8170 module.

2. Remove or open any doors or covers blocking access to the system controller slot (Slot 1) in the mainframe.

3. Touch the metal part of the case to discharge any static electricity that might be on your clothes or body.
4. Make sure the injector/ejector handle is in its downward position. Align the PXI-8170 with the card guides on the top and bottom of the system controller slot.



Caution Do *not* raise the injector/ejector handle as you insert the PXI-8170. The module will not insert properly unless the handle is in its downward position so that it does not interfere with the injector rail on the mainframe.

5. Hold the handle as you slowly slide the module into the mainframe until the handle catches on the injector/ejector rail.
6. Raise the injector/ejector handle until the module firmly seats into the backplane receptacle connectors. The front panel of the PXI-8170 should be even with the front panel of the mainframe.
7. Tighten the four bracket-retaining screws on the top and bottom of the front panel to secure the PXI-8170 to the mainframe.
8. Check the installation.
9. Connect the keyboard and mouse to the appropriate connectors. Use a PS/2 to AT keyboard adapter if you need to adapt an AT-style keyboard to the PXI-8170 mini-DIN connector.
10. Connect the VGA monitor video cable to the VGA connector.
11. Connect devices to ports as required by your system configuration.
12. Replace or close any doors or covers to the mainframe.

Figure 3-3 shows a PXI-8170 installed in the system controller slot of a National Instruments PXI-1000 mainframe. You can place PXI devices in any other slot.

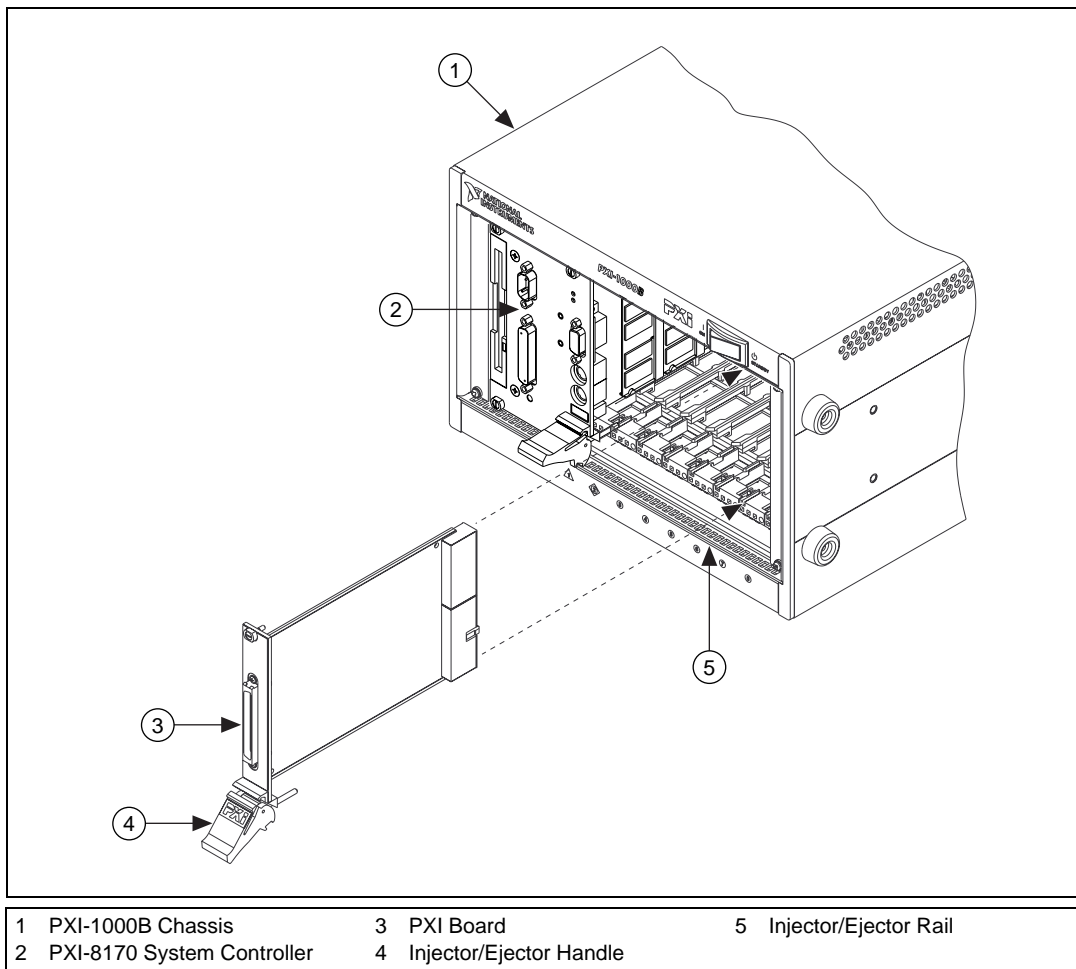


Figure 3-3. PXI-8170 Installed in a PXI Mainframe

How to Remove the Unit from the PXI Mainframe

The PXI-8170 Series is designed for easy handling. If you later decide to change any of the jumper settings or the amount of DRAM installed on the module, remove the unit from the PXI mainframe as follows:

1. Turn off power.
2. Remove the bracket-retaining screws in the front panel.
3. Press the injector/ejector handle down.
4. Slide the unit out of the mainframe.

Setting up the PXI-8170 Series

At Windows NT/98 startup, the software prompts you to insert a disk to configure the system for LabVIEW or LabWindows/CVI, and to enter the serial number for the operating system. These programming environments are already installed on your system, but you must insert a configuration disk when prompted so that you can access and use them. If you ordered either of these programming environments, select the appropriate checkbox and insert the configuration disk. Follow the instructions as prompted.

Do not select either checkbox if you did not order LabVIEW or LabWindows/CVI. Continue with the rest of the Setup program.

The PXI-8170 Series comes with the NI-VISA software already installed. However, if you need to reinstall NI-VISA in the event that your files are accidentally erased, use the Setup program and follow the prompts to install these programs from the diskettes.

Similarly, if you need to reinstall LabVIEW or LabWindows/CVI, use the CD or diskette package that came with these programs.

BIOS

This chapter contains information on Basic Input Output System (BIOS), the low-level interface between the hardware and PC software that configures and tests your hardware when you start up the system. This BIOS is an easy-to-use graphical user interface so you can configure system aspects according to your needs.

Entering BIOS Setup

To enter the BIOS setup program, perform the following steps.

1. Turn on or reboot the system. A screen appears with a series of diagnostic checks.
2. When the message **Press to enter SETUP** appears, press <Delete> to enter the BIOS setup program.
3. Choose options with the keyboard. Modify the settings to reflect system options.

Default BIOS Setup Settings

To restore the default settings while inside the BIOS setup program, select either **Load Optimal** or **Load Fail-Safe**.

Select the **Optimal** settings if you want to get maximum performance from the PXI-8170 Series. **Fail-Safe** settings are more conservative settings.

BIOS Setup for LCD Support

To enable the LCD Display, enter the BIOS setup program and select **Standard CMOS Setup**. Under the **LCD & CRT** menu item, you can select the following options:

- **CRT**—Just prior to the OS loading, only the CRT Display will be enabled.
- **LCD**—Just prior to the OS loading, only the LCD Display will be enabled.

- **Both**—Both the CRT and LCD Displays are always enabled.
- **Auto**—If a CRT is connected to the controller at boot, only the CRT is enabled. If a CRT is not connected at boot, only the LCD is enabled.



Note During the initial boot process, both the LCD and CRT displays are enabled.

You must set the correct resolution for the LCD Display. See Appendix A, [Configuring the PXI-8170 Series](#), for LCD resolution settings.

Updating the BIOS

Your PXI-8170 Controller contains Flash ROM that allows the BIOS to be updated. Contact National Instruments for BIOS updates.

Configuring the PXI-8170 Series

This appendix describes how to configure the following options:

- System RAM
- System CMOS
- LCD output
- LCD resolution
- Keyboard and mouse ports
- Serial IRQ, INTP, and INTS connection
- Onboard video

Installed System RAM

You can change the amount of installed RAM on the PXI-8170 Series by installing DRAM SO-DIMMs. Refer to Appendix B, [Specifications](#), for more information on SO-DIMMs.

System CMOS

The PXI-8170 contains a backed-up memory used to store BIOS defaults and configuration information.

To clear the CMOS contents, short pins 3–5 of J4 as shown in Figure A-1b. Plug the unit back into the mainframe and apply power momentarily. Turn the power off again and remove the unit. Place the jumper back in the default state (short pins 1–3).



Note Pins 2, 4, and 6 are for the onboard video. See the [Onboard Video](#) section for the proper configuration.



Caution Do *not* keep these two pins short-circuited. The computer cannot sustain the CMOS memory when the power is turned off if you leave these two pins shorted.

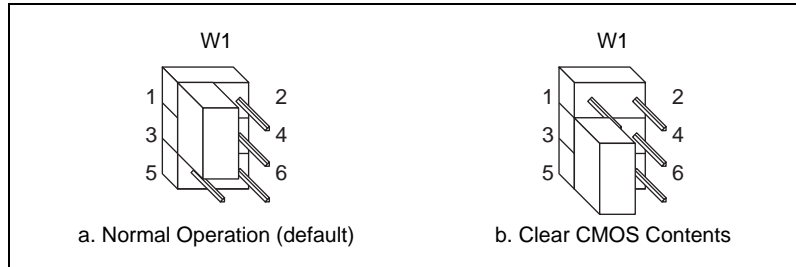


Figure A-1. System CMOS

LCD Resolution and Enable

The LCD output resolution can be switched between 640×480 and 800×600 or no LCD. Figure 3-6 shows the LCD resolution options. See Chapter 4, *BIOS*, for information about updating the BIOS to enable LCD support.

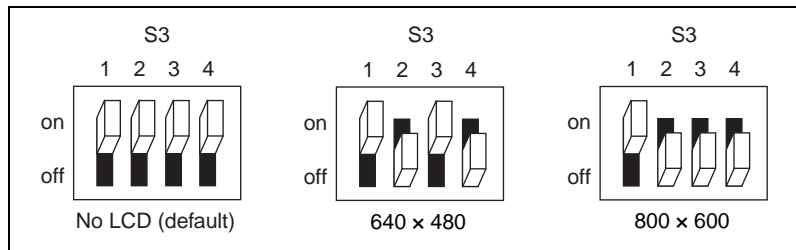


Figure A-2. LCD Resolution Setting

Keyboard and Mouse

Two switches—S1 and S2—control whether to enable the PS/2 keyboard and mouse ports on the front panel of the PXI-8170 controller or the built-in chassis devices, if available. By default, both front panel ports are enabled. Change S1 to use a chassis keyboard port and S2 to use a chassis mouse port.



Note Only the PXI-1020 and PXI-1025 chassis currently have built-in PS/2 devices that you can select in this manner.

Figures A-3 and A-4 show the keyboard and mouse options, respectively.

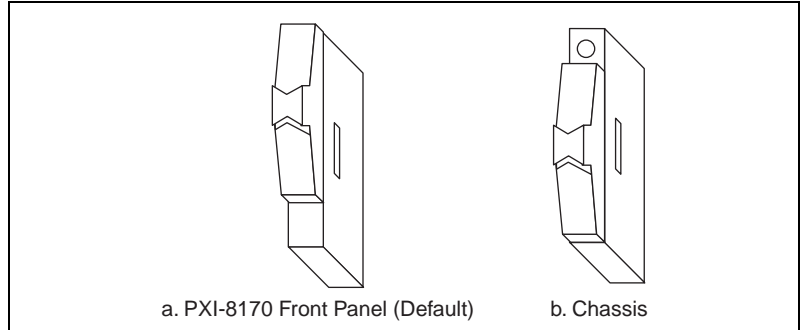


Figure A-3. Active Keyboard Port

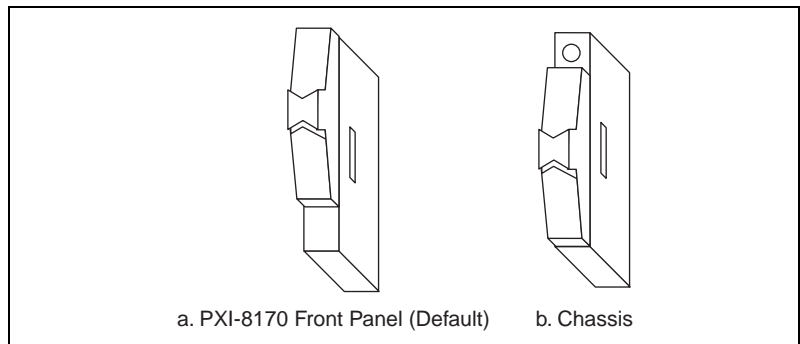


Figure A-4. Active Mouse Port

Serial IRQ, INTP, and INTS

You can use jumper settings on the PXI-8170 Series to connect INTP on the PXI backplane to IRQ14 or NMI, as well as INTS to either IRQ15 or to serial IRQ. Refer to the documentation that comes with your PXI peripheral device to see if you need to make any changes from the default settings. For more information on Serial IRQ, refer to the *Serialized IRQ Support for PCI Systems Specification*.

Figure A-5 shows the INTP configuration options and Figure A-6 shows the INTS configuration options.

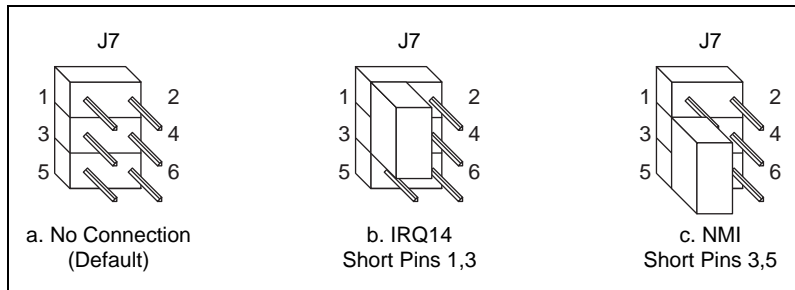


Figure A-5. INTP Configuration

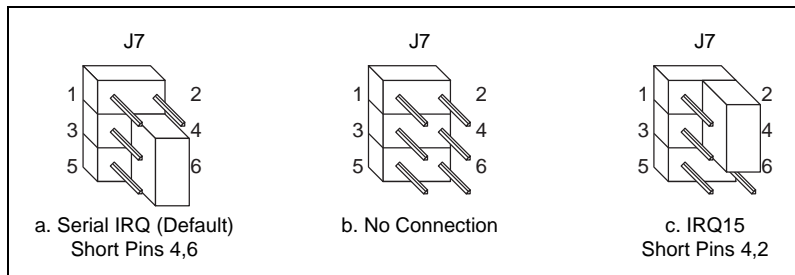


Figure A-6. INTS Configuration

Onboard Video

The onboard video can be disabled to allow the use of a CPCI or PXI video card. Figure A-7 shows the onboard video configuration options.

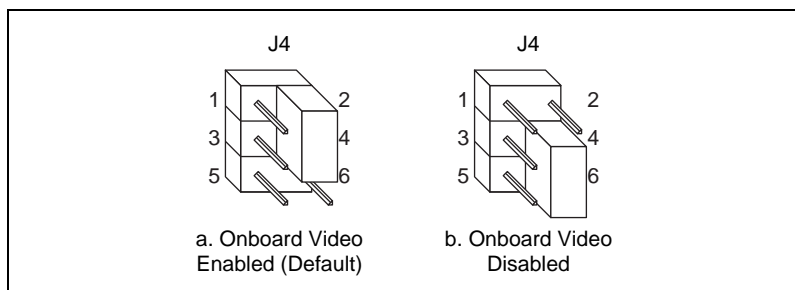


Figure A-7. Onboard Video



Note Pins 1, 3, and 5 are for system CMOS. See the [System CMOS](#) section for the proper operation.

Specifications

This appendix lists the electrical, mechanical, and environmental specifications of the PXI-8170 Series embedded computer, and describes how to add RAM.

Electrical

PXI-8170 450 MHz PIII Processor

Voltage (V)	Current (A)	
	Typical	Maximum
+3.3	3 A	10 A
+5	3.5 A	7 A
+12	0.05 A	1.0 A
-12	0.01 A	0.1 A

PXI-8170 700 MHz PIII Processor

Voltage (V)	Current (A)	
	Typical	Maximum
+3.3	2.5 A	10 A
+5	3 A	6 A
+12	0.05 A	1.0 A
-12	0.01 A	0.1 A

Physical

Board dimensions..... PXI 3U-size module
 8.1 by 13 by 21.6 cm
 (3.2 by 5.1 by 8.5 in.)

Slot requirements One system slot plus three
 controller expansion slots

Compatibility	Fully compatible with PXI specification
MTBF	Contact National Instruments
Weight	1.1 Kg (2.4 lb) typical

Environmental

Temperature	0° to 50° C operating -20° to 70° C storage
Relative humidity	10% to 85% noncondensing, operating 5% to 95% noncondensing, storage
EMI	FCC Class A verified, EC verified

Adding RAM

To add RAM to the PXI-8170 Series, remove the unit from the PXI mainframe and add SO-DIMM modules to the empty SO-DIMM sockets. National Instruments recommends the following types of SO-DIMMs for use with the PXI-8170 Series controller (SDRAM):

- 32 MB: 4 MB × 64 SO-DIMMs—10 ns, 1.05 in. max.
- 64 MB: 8 MB × 64 SO-DIMMs—10 ns, 1.05 in. max.
- 128 MB: 16 MB × 64 SO-DIMMs—10 ns, 1.05 in. max.



Note National Instruments has tested and verified that the SO-DIMMs we sell work with the PXI-8170 Series. We recommend you purchase your SO-DIMM modules from National Instruments. Other off-the-shelf SO-DIMM modules are not guaranteed to work properly.



PXI-8170 Series System Resources

This appendix describes the system resources available on the PXI-8170 Series embedded computer and where they are allocated. Because PCI is a relatively new addition to PCs, this appendix describes how PCI interrupts fit into a PC architecture before listing the devices that use them.

PCI Interrupts

PCI interrupts are more flexible than ISA interrupts because multiple devices can share these interrupts. PCI interrupts do not actually connect to the processor directly; they map through ISA interrupts in the system I/O module. The interrupt handler for a particular ISA interrupt must know if it will be acknowledging a PCI device.

Resource Tables

The following tables describe where system resources are assigned. Table C-1 lists how the ISA interrupts are allocated on the PXI-8170 Series and whether a PCI interrupt drives them.

Table C-1. PXI-8170 Series ISA Interrupt Resource Allocations

ISA Interrupt	PCI Interrupt	Device
NMI	None	Parity
0	None	Timer
1	None	Keyboard
2	None	IRQ Expansion (8–15)
3	PCI	Plug and Play PXI Modules
4	None	COM1

Table C-1. PXI-8170 Series ISA Interrupt Resource Allocations (Continued)

ISA Interrupt	PCI Interrupt	Device
5	PCI/None	Plug and Play PXI Modules/Watchdog timer if enabled
6	None	Floppy Drive
7	None	LPT1
8	None	RTC
9	PCI	Plug and Play PXI Modules
10	PCI	Plug and Play PXI Modules
11	PCI	Plug and Play PXI Modules
12	None	Mouse
13	None	FPERR
14	None	IDE
15	PCI	Plug and Play PXI Modules

LED Indicators

This appendix describes how to interpret the status of the PXI-8170 Series computer by reading the LEDs on the front panel.

Interface Status and Access LEDs

POWER OK

When lit, the **POWER OK** LED indicates that the power is on and the PXI-8170 is out of reset.

DRIVE LED

The **DRIVE** LED indicates when an access to the internal hard disk drive is occurring.

Front Panel and Connectors

This appendix describes the front panel and connectors on the PXI-8170 Series embedded computer.

The PXI-8170 Series has the following front panel connectors:

- VGA Controller
- Extended Capabilities Parallel (ECP)
- PS/2-Style Keyboard
- PS/2-Style Mouse
- Universal Serial Bus (USB)
- RS-232 Serial



Note The illustrations in this appendix show the mating face of the connectors. An asterisk suffix (*) on a signal name indicates that the signal is active low.

Front Panel

Figure E-1 shows the front panel layout of the PXI-8170. The drawing shows dimensions relevant to key elements on the front panel. Dimensions are shown in inches and millimeters, with millimeter dimensions in square brackets. The front panel thickness for all models in the PXI-8170 Series is 2.49 mm (0.098 in.)

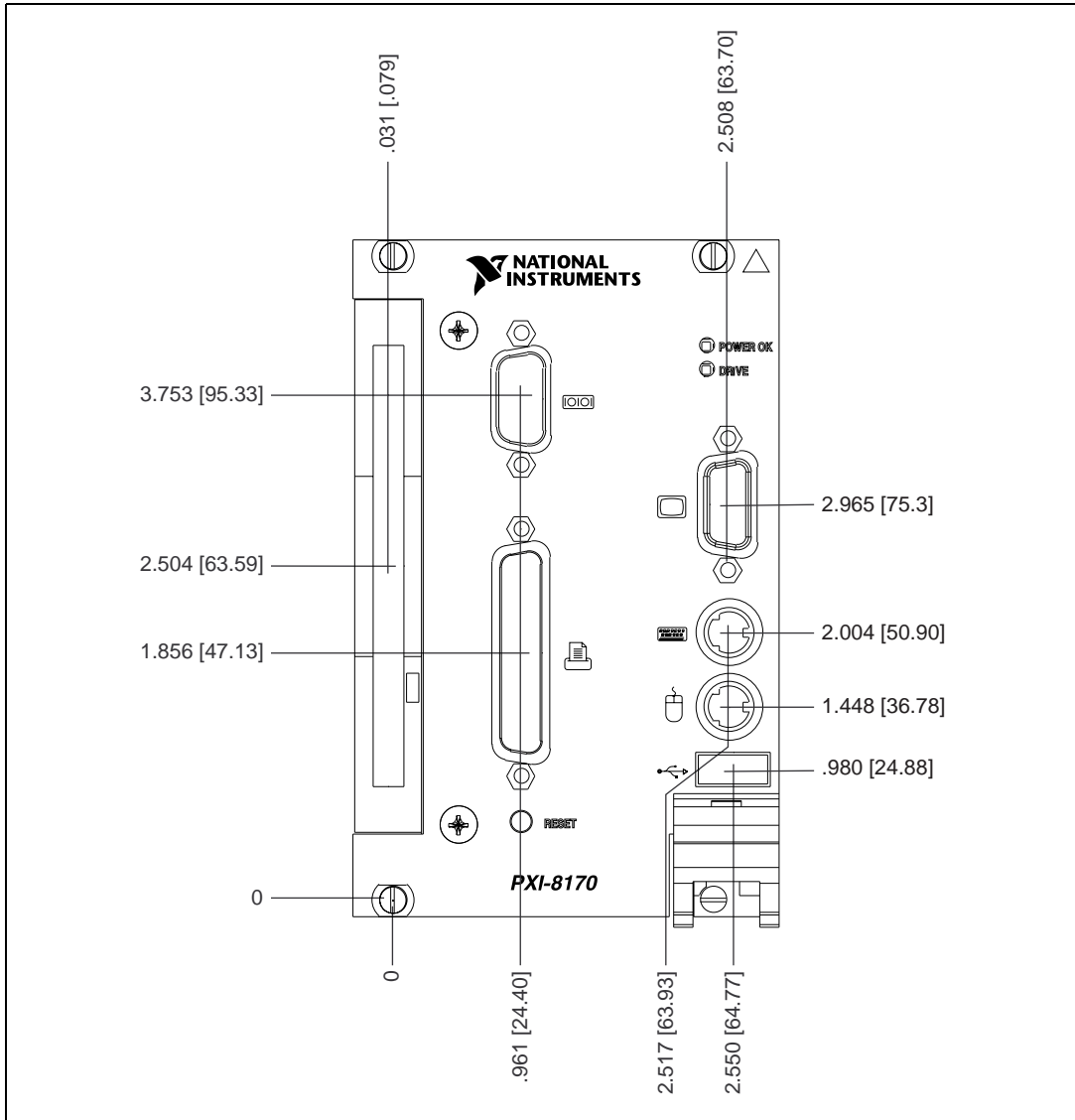


Figure E-1. PXI-8170 Front Panel Layout and Dimensions

Keyboard and Mouse

Figure E-2 shows the location and pinouts for the keyboard and mouse connectors on the PXI-8170 Series. Table E-1 lists and describes the keyboard and mouse connector signals.

AMP manufactures a mating connector with part numbers 212437-4 (housing), 212435-7 (ferrule), and 66735-4 (pin contact).

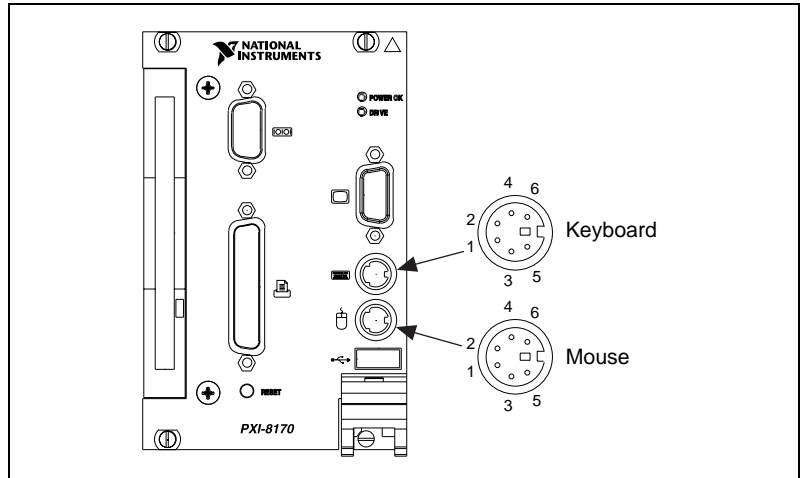


Figure E-2. Keyboard and Mouse Connectors Location and Pinout

Table E-1. Keyboard and Mouse Connector Signals

Pin	Signal Name	Signal Description
1	DATA	Data
2	NC	Not Connected
3	GND	Ground
4	+5V	+5 V
5	CLK	Clock
6	NC	Not Connected

VGA

Figure E-3 shows the location and pinouts for the VGA connector on the PXI-8170 Series. Table E-2 lists and describes the VGA connector signals.

AMP manufactures a mating connector with part numbers 748364-1 (housing) and 748333-2 (pin contact).

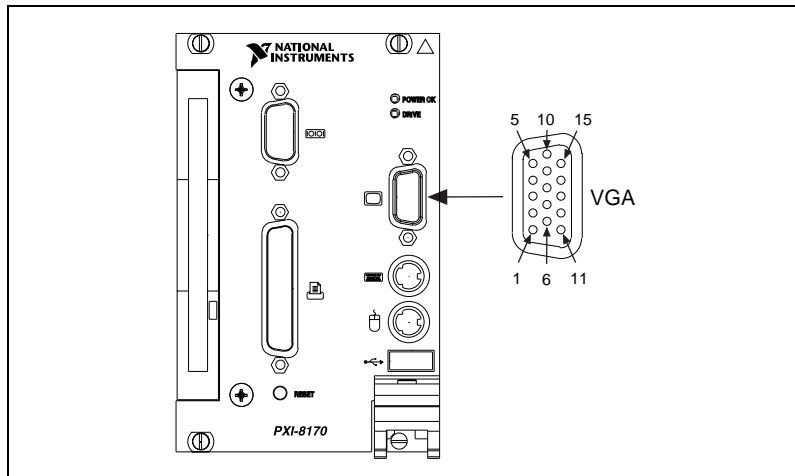


Figure E-3. VGA Connector Location and Pinout

Table E-2. VGA Connector Signals

Pin	Signal Name	Signal Description
1	R	Red
2	G	Green
3	B	Blue
4	NC	Not Connected
5	GND	Ground
6	GND	Ground
7	GND	Ground
8	GND	Ground
9	NC	Not Connected
10	GND	Ground

Table E-2. VGA Connector Signals (Continued)

Pin	Signal Name	Signal Description
11	NC	Not Connected
12	SD	Serial Data
13	HSync	Horizontal Sync
14	VSynC	Vertical Sync
15	SC	Serial Clock

COM1

Figure E-4 shows the location and pinouts for the COM1 connector on all models in the PXI-8170 Series. Table E-3 lists and describes the COM1 connector signal.

AMP manufactures a serial port mating connector, part number 745491-5, for the COM1 connector on the PXI-8170.

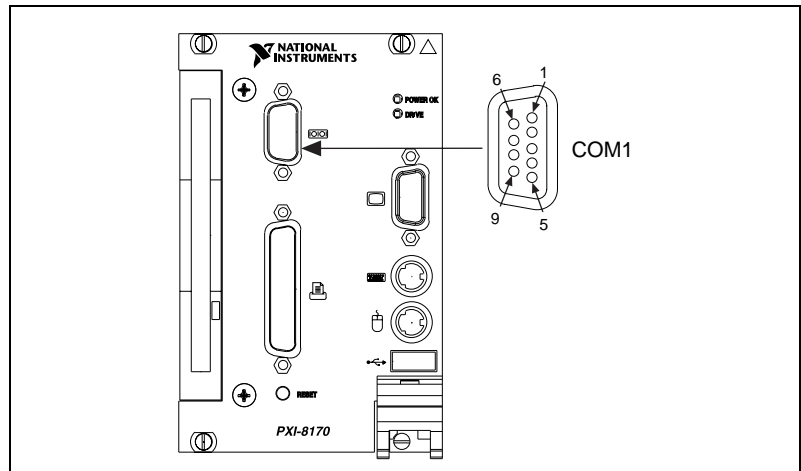
**Figure E-4.** COM1 Connector Location and Pinout

Table E-3. COM1 Connector Signals

Pin	Signal Name	Signal Description
1	DCD*	Data Carrier Detect
2	RXD*	Receive Data
3	TXD*	Transmit Data
4	DTR*	Data Terminal Ready
5	GND	Ground
6	DSR*	Data Set Ready
7	RTS*	Ready to Send
8	CTS*	Clear to Send
9	RI*	Ring Indicator

Parallel Port

Figure E-5 shows the location and pinouts for the IEEE-1284 connector on the PXI-8170. Table E-4 lists and describes the IEEE-1284 connector signals.

AMP manufactures a parallel port compatible connector, part number 747052-2.

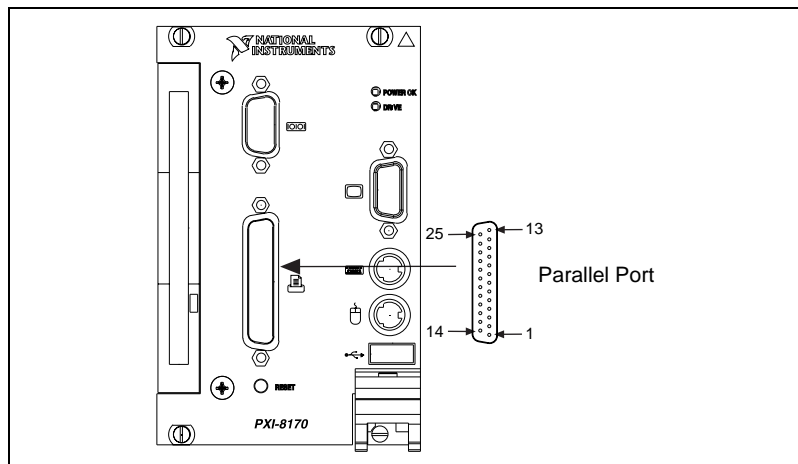


Figure E-5. Parallel Port Connector Location and Pinout

Table E-4. Parallel Port Connector Signals

Pin	Signal Name	Signal Description
11	BUSY*	Device Busy
17	SLCTIN*	Select Input
10	ACK*	Acknowledge
12	FAULT*	Fault
15	ERROR	Error
2	PD0	Data Bit 0
3	PD1	Data Bit 1
4	PD 2	Data Bit 2
5	PD3	Data Bit 3
6	PD4	Data Bit 4
7	PD5	Data Bit 5
8	PD6	Data Bit 6
9	PD7	Data Bit 7
16	INIT*	Initialize Printer
1	STROBE*	Strobe
13	SLCT	Select
14	AUTOFD	Auto Line Feed
18–25	GND	Ground
36	NC	Not Connected

Universal Serial Bus

Figure E-6 shows the location and pinouts for the Universal Serial Bus (USB) connector. Table E-5 lists and describes the USB connector signals.

AMP manufactures a USB mating connector, part number 787633.

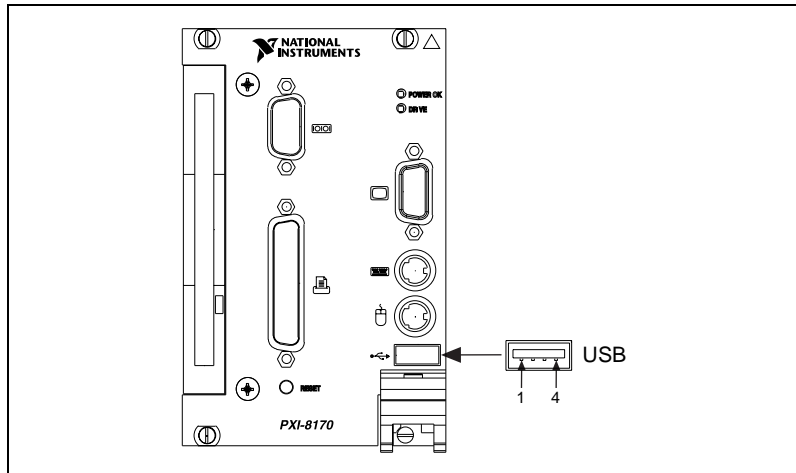


Figure E-6. USB Connector Location and Pinout

Table E-5. USB Connector Signals

Pin	Signal Name	Signal Description
1	VCC	Cable Power (+5 V)
2	-Data	USB Data-
3	+Data	USB Data+
4	GND	Ground

PXI Connectors

Figure E-7 shows the location and pinouts for the PXI connector on the PXI-8170 Series. Table E-6 shows the P2 connector pinouts for the PXI connector as it applies to the system controller slot (Slot 1). Table E-7 shows the P1 connector pinouts.

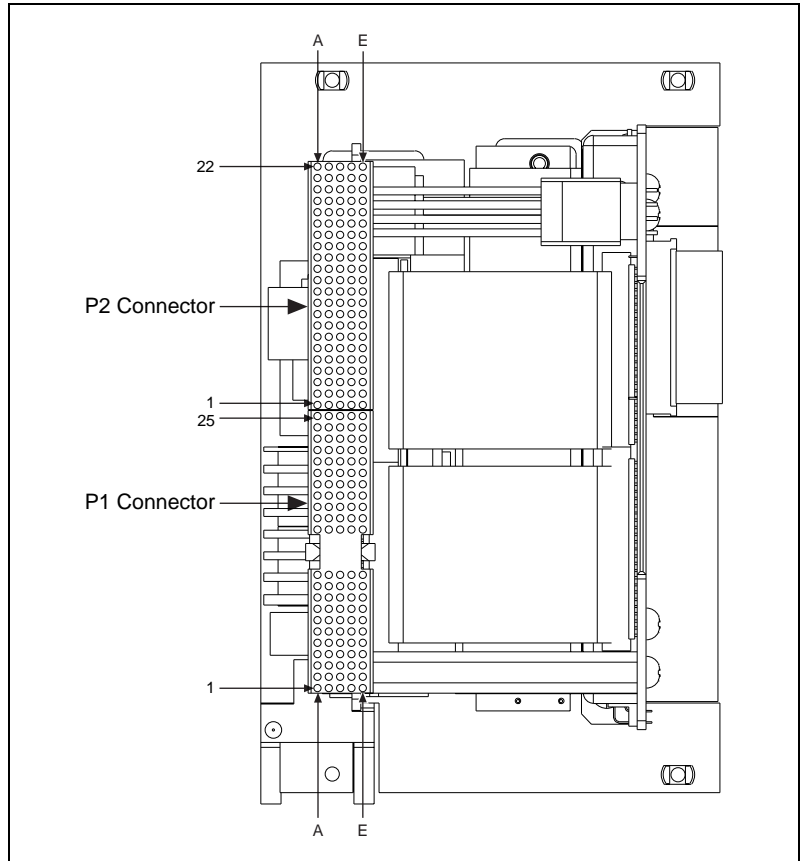


Figure E-7. PXI Connectors Location and Pinout

Table E-6. P2 Connector Pinouts for the System Controller Slot

Pin	Z	A	B	C	D	E	F
22	GND	PXI_RSVA22	PXI_RSVB22	PXI_RSVC22	PXI_RSVD22	PXI_RSVE22	GND
21	GND	CLK6	GND	RSV	RSV	RSV	GND
20	GND	CLK5	GND	RSV	GND	RSV	GND
19	GND	GND	GND	RSV	RSV	RSV	GND
18	GND	PXI_TRIG3	PXI_TRIG4	PXI_TRIG5	GND	PXI_TRIG6	GND
17	GND	PXI_TRIG2	GND	PRST#	REQ6#	GNT6#	GND
16	GND	PXI_TRIG1	PXI_TRIG0	DEG#	GND	PXI_TRIG7	GND
15	GND	PXI_BRSVA15	GND	FAL#	REQ5#	GNT5#	GND
14	GND	AD[35]	AD[34]	AD[33]	GND	AD[32]	GND
13	GND	AD[38]	GND	V(I/O)	AD[37]	AD[36]	GND
12	GND	AD[42]	AD[41]	AD[40]	GND	AD[39]	GND
11	GND	AD[45]	GND	V(I/O)	AD[44]	AD[43]	GND
10	GND	AD[49]	AD[48]	AD[47]	GND	AD[46]	GND
9	GND	AD[52]	GND	V(I/O)	AD[51]	AD[50]	GND
8	GND	AD[56]	AD[55]	AD[54]	GND	AD[53]	GND
7	GND	AD[59]	GND	V(I/O)	AD[58]	AD[57]	GND
6	GND	AD[63]	AD[62]	AD[61]	GND	AD[60]	GND
5	GND	C/BE[5]#	GND	V(I/O)	C/BE[4]#	PAR64	GND
4	GND	V(I/O)	PXI_BRSVB4	C/BE[7]#	GND	C/BE[6]#	GND
3	GND	CLK4	GND	GNT3#	REQ4#	GNT4#	GND
2	GND	CLK2	CLK3	SYSEN#	GNT2#	REQ3#	GND
1	GND	CLK1	GND	REQ1#	GNT1#	REQ2#	GND
Note: PXI signals are shown in bold							

Table E-7. P1 Connector Pinouts for the System Controller Slot

Pin	Z	A	B	C	D	E	F
25	GND	5V	REQ64#	ENUM#	3.3V	5V	GND
24	GND	AD[1]	5V	V(I/O)	AD[0]	ACK64#	GND
23	GND	3.3V	AD[4]	AD[3]	5V	AD[2]	GND
22	GND	AD[7]	GND	3.3V	AD[6]	AD[5]	GND
21	GND	3.3V	AD[9]	AD[8]	M66EN	C/BE[0]#	GND
20	GND	AD[12]	GND	V(I/O)	AD[11]	AD[10]	GND
19	GND	3.3V	AD[15]	AD[14]	GND	AD[13]	GND
18	GND	SERR#	GND	3.3V	PAR	C/BE[1]#	GND
17	GND	3.3V	SDONE	SBO#	GND	PERR#	GND
16	GND	DEVSEL#	GND	V(I/O)	STOP#	LOCK#	GND
15	GND	3.3V	FRAME#	IRDY#	GND	TRDY#	GND
12–14	Key Area						
11	GND	AD[18]	AD[17]	AD[16]	GND	C/BE[2]#	GND
10	GND	AD[21]	GND	3.3V	AD[20]	AD[19]	GND
9	GND	C/BE[3]#	IDSEL	AD[23]	GND	AD[22]	GND
8	GND	AD[26]	GND	V(I/O)	AD[25]	AD[24]	GND
7	GND	AD[30]	AD[29]	AD[28]	GND	AD[27]	GND
6	GND	REQ#	GND	3.3V	CLK	AD[31]AD[31]	GND
5	GND	BRSVP1A5	BRSVP1B5	RST#	GND	GNT#	GND
4	GND	BRSVP1A4	GND	V(I/O)	INTP	INTS	GND
3	GND	INTA#	INTB#	INTC#	5V	INTD#	GND
2	GND	TCK	5V	TMS	TDO	TDI	GND
1	GND	5V	–12V	TRST#	+12V	5V	GND

Common Questions

This appendix answers common questions you may have when using the PXI-8170 Series embedded computer.

What do the LEDs on the front of the PXI-8170 mean?

Refer to Appendix C, *PXI-8170 Series System Resources*, for a description of the front panel LEDs.

What kind of monitor can I use with the PXI-8170?

PXI-8170 computers that use Super VGA video output work only with monitors having a horizontal scan rate of at least 50 kHz and a vertical scan rate of 60 Hz.



Caution Make sure that your monitor meets this specification. Enabling the Super VGA option on a monitor that does not meet this specification will damage your monitor.

What if my keyboard connector does not fit into the keyboard port on the PXI-8170?

You can plug keyboards that have a 6-pin Mini DIN PS/2 type connector directly into the PXI-8170. You can use a PS/2 to AT keyboard adapter cable to adapt the larger AT keyboard connector to the 6-pin Mini DIN connector.

How do I add RAM to the PXI-8170? What is the maximum amount of RAM that I can install?

For information about adding RAM to the PXI-8170, refer to Appendix B, *Specifications*.

Which interrupt levels are free for use by PXI bus boards? Which area of upper memory (adapter space) is free for use by PXI bus boards or expanded memory manager software programs?

See Appendix B, *Specifications*, for information on the available port I/O register space, upper memory area, interrupts, and DMA channels.

How do I check the configuration of the memory, floppy drive, hard drive, time/date, and so on?

You can view these parameters in the BIOS setup. To enter the BIOS setup, reboot the PXI-8170 and press <Delete> during the memory tests. Refer to Chapter 4, [BIOS](#), for more information.

How can I boot from an external SCSI hard drive?

1. Enter the BIOS setup program as described in Chapter 4, [BIOS](#).
2. Select **BIOS Features**.
3. Change **Boot Sequence Setup** so that SCSI is listed first.
4. Press <Esc> to exit from this screen.
5. Select **Save and Exit Setup**.

Can I use the internal IDE drive and an external SCSI hard drive at the same time?

Yes.

My CMOS is corrupted. How do I set it back to default?

1. Enter the BIOS setup program as described in Chapter 4, [BIOS](#).
2. Select **Load BIOS Defaults**.
3. Answer **Y** (Yes) to the verification prompt.
4. Select **Save and Exit Setup**.



Technical Support Resources

This appendix describes the comprehensive resources available to you in the Technical Support section of the National Instruments Web site and provides technical support telephone numbers for you to use if you have trouble connecting to our Web site or if you do not have internet access.

NI Web Support

To provide you with immediate answers and solutions 24 hours a day, 365 days a year, National Instruments maintains extensive online technical support resources. They are available to you at no cost, are updated daily, and can be found in the Technical Support section of our Web site at www.ni.com/support

Online Problem-Solving and Diagnostic Resources

- **KnowledgeBase**—A searchable database containing thousands of frequently asked questions (FAQs) and their corresponding answers or solutions, including special sections devoted to our newest products. The database is updated daily in response to new customer experiences and feedback.
- **Troubleshooting Wizards**—Step-by-step guides lead you through common problems and answer questions about our entire product line. Wizards include screen shots that illustrate the steps being described and provide detailed information ranging from simple getting started instructions to advanced topics.
- **Product Manuals**—A comprehensive, searchable library of the latest editions of National Instruments hardware and software product manuals.
- **Hardware Reference Database**—A searchable database containing brief hardware descriptions, mechanical drawings, and helpful images of jumper settings and connector pinouts.
- **Application Notes**—A library with more than 100 short papers addressing specific topics such as creating and calling DLLs, developing your own instrument driver software, and porting applications between platforms and operating systems.

Software-Related Resources

- **Instrument Driver Network**—A library with hundreds of instrument drivers for control of standalone instruments via GPIB, VXI, or serial interfaces. You also can submit a request for a particular instrument driver if it does not already appear in the library.
- **Example Programs Database**—A database with numerous, non-shipping example programs for National Instruments programming environments. You can use them to complement the example programs that are already included with National Instruments products.
- **Software Library**—A library with updates and patches to application software, links to the latest versions of driver software for National Instruments hardware products, and utility routines.

Worldwide Support

National Instruments has offices located around the globe. Many branch offices maintain a Web site to provide information on local services. You can access these Web sites from www.ni.com/worldwide

If you have trouble connecting to our Web site, please contact your local National Instruments office or the source from which you purchased your National Instruments product(s) to obtain support.

For telephone support in the United States, dial 512 795 8248. For telephone support outside the United States, contact your local branch office:

Australia 03 9879 5166, Austria 0662 45 79 90 0, Belgium 02 757 00 20,
Brazil 011 284 5011, Canada (Calgary) 403 274 9391,
Canada (Ontario) 905 785 0085, Canada (Québec) 514 694 8521,
China 0755 3904939, Denmark 45 76 26 00, Finland 09 725 725 11,
France 01 48 14 24 24, Germany 089 741 31 30, Greece 30 1 42 96 427,
Hong Kong 2645 3186, India 91805275406, Israel 03 6120092,
Italy 02 413091, Japan 03 5472 2970, Korea 02 596 7456,
Mexico (D.F.) 5 280 7625, Mexico (Monterrey) 8 357 7695,
Netherlands 0348 433466, New Zealand 09 914 0488,
Norway 32 27 73 00, Poland 0 22 528 94 06, Portugal 351 1 726 9011,
Singapore 2265886, Spain 91 640 0085, Sweden 08 587 895 00,
Switzerland 056 200 51 51, Taiwan 02 2528 7227,
United Kingdom 01635 523545

Glossary

Prefix	Meaning	Value
n-	nano-	10^{-9}
μ -	micro-	10^{-6}
m-	milli-	10^{-3}
k-	kilo-	10^3
M-	mega-	10^6
G-	giga-	10^9
t-	tera-	10^{12}

Symbols

° degrees

Ω ohms

% percent

A

A amperes

AC Alternating Current

ASIC application-specific integrated circuit

B

B bytes

backplane An assembly, typically a printed circuit board, with connectors and signal paths that bus the connector pins.

BIOS Basic Input/Output System. BIOS functions are the fundamental level of any PC or compatible computer. BIOS functions embody the basic operations needed for successful use of the computer's hardware resources.

C

C Celsius

cache Small portion of high-speed memory used for temporary storage of frequently used data

CMOS Complementary Metal Oxide Semiconductor; a process used in making chips

CompactPCI An adaptation of the PCI specification for industrial and/or embedded applications that require a more robust mechanical form factor than desktop PCI. CompactPCI provides a standard form factor for those applications requiring the high performance of PCI as well as the small size and ruggedness of a rack-mount system.

D

DC Direct Current

DIMM Dual In-line Memory Module

DMA Direct Memory Access; a method by which data is transferred between devices and internal memory without intervention of the central processing unit

DRAM Dynamic RAM (Random Access Memory); storage that the computer must refresh at frequent intervals

E

ECP Extended Capabilities Parallel

EDO Extended Data Out

EEPROM Electronically Erasable Programmable Read Only Memory

embedded controller	An intelligent CPU (controller) interface plugged directly into the PXI backplane, giving it direct access to the PXI bus. It must have all of its required PXI interface capabilities built in.
EMC	Electromagnetic Compatibility
EMI	electromagnetic interference
EPP	Enhanced Parallel Port
expansion ROM	An onboard EEPROM that may contain device-specific initialization and system boot functionality

F

FCC	Federal Communications Commission
-----	-----------------------------------

G

g	<ol style="list-style-type: none"> grams A measure of acceleration equal to 9.8 m/s².
GPIB	General Purpose Interface Bus (IEEE 488)
g_{RMS}	A measure of random vibration. The root mean square of acceleration levels in a random vibration test profile.

H

Hz	hertz; cycles per second
----	--------------------------

I

IDE	Integrated Drive Electronics; hard disk and built-in controller
IEEE	Institute of Electrical and Electronics Engineers
in.	inches

instrument driver	A set of routines designed to control a specific instrument or family of instruments, and any necessary related files for LabWindows/CVI or LabVIEW
interrupt	A means for a device to request service from another device
interrupt level	The relative priority at which a device can interrupt
I/O	input/output; the techniques, media, and devices used to achieve communication between machines and users
IRQ*	Interrupt signal
ISA	Industry Standard Architecture; the original PC bus architecture, specifically the 16-bit AT bus
K	
KB	kilobytes of memory
L	
LAN	Local Area Network; communications network that serves users within a confined geographical area. It is made up of servers, workstations, a network operating system, and a communications link.
LED	light-emitting diode
M	
m	meters
master	A functional part of a PXI device that initiates data transfers on the PXI backplane. A transfer can be either a read or a write.
MB	megabytes of memory
MTBF	Mean time between failure
MTTR	Mean time to repair

N

NI-488 or NI-488.2	The National Instruments software for GPIB systems
NI-DAQ	The National Instruments software for data acquisition instruments
NI-VISA	The National Instruments implementation of the VISA standard; an interface-independent software that provides a unified programming interface for VXI, GPIB, and serial instruments
NMI	Non-maskable interrupt; high-priority interrupt that cannot be disabled by another interrupt. It is used to report malfunctions such as parity, bus and math coprocessor errors.

P

PCI	Peripheral Component Interconnect. The PCI bus is a high-performance 32-bit or 64-bit bus with multiplexed address and data lines.
PCMCIA	Personal Computer Memory Card International Association
peripheral	any hardware device connected to a computer, such as a monitor, keyboard, printer, plotter, disk or tape drive, graphics tablet, scanner, mouse, and so on
POSC	Power On Self Configuration
PXI	PCI eXtensions for Instrumentation; an open implementation of CompactPCI that adds electrical features that meet the high-performance requirements of instrumentation applications by providing triggering, local buses, and system clock capabilities. PXI also offers two-way interoperability with CompactPCI products.

R

RAM	Random Access Memory; the computer's primary workspace
RAMDAC	Random Access Memory Digital to Analog Converter; the VGA controller chip that maintains the color palette and converts data from memory into analog signals for the monitor
resource	hardware settings used by devices in a computer system, including ISA interrupt level, DMA channel, and I/O address

RMS	Root mean squared. See <i>gRMS</i> .
RTC	Real Time Clock; an electronic circuit that maintains the time of day, and can also provide timing signals for timesharing operations

S

s	seconds
slave	A functional part of a PXI device that detects data transfer cycles initiated by a PXI bus master and responds to the transfers when the address specifies one of the device's registers
SO-DIMM	Small Outline Dual In-line Memory Module
SRAM	Static RAM; a memory chip that requires power to hold its content. It does not require refresh circuitry as a dynamic RAM chip, but it does take up more space and uses more power.
ST	Start Trigger
Star Trigger Slot	This slot is located at Slot 2 in a PXI mainframe and has a dedicated trigger line between each peripheral slot. This slot would be used for a module with ST functionality that can provide individual triggers to all other peripherals.

U

USB	Universal Serial Bus
-----	----------------------

V

V	Volts
VGA	Video Graphics Array; the minimum video display standard for all PCs

W

W	Watts
---	-------

Index

A

Acrobat (online) documentation, *xi*
active keyboard port (figure), A-3
active mouse port (figure), A-3
adding RAM, B-2
Adobe Acrobat, *xi*

B

BIOS, 4-1
 See also CMOS
 checking settings, F-2
 default settings, 4-1
 entering setup, 4-1
 logic block, 2-3
 updating, 4-2

C

chassis support, 1-6
chip set north bridge, 2-3
chip set south bridge, 2-3
CMOS, F-2
 See also BIOS
 configuration, A-1
 setting back to default, F-2
 switch settings (figure), A-2
COM1, E-5
 connector signals (table), E-6
 connectors location and pinout (figure), E-5
common questions and answers, F-1
CompactPCI specification, 1-3
configuration
 checking BIOS settings, F-2
 CMOS, A-1
 common questions, F-1
 CPU board parts locator diagram, 3-4

 default settings, 3-1
 electrostatic discharge damage
 (caution), 3-1
 installed system RAM, A-1
 keyboard and mouse, A-2
 LCD resolution, A-2
 onboard video, A-4
 parts locator diagram, 3-3
 serial IRQ, INTP, and INTS, A-3
configuring the PXI-8170 Series, A-1
 for LabVIEW and LabWindows/CVI
 software, 3-7
connectors
 COM1 connector and signals, E-5
 keyboard and mouse connector and
 signals, E-3
 overview, 1-5
 parallel port connector and signals, E-6, E-7
 peripheral expansion overview (table), 1-5
 PXI connector and signals, E-9
 PXI connectors
 location and pinout (figure), E-9
 P1 connector pinouts (table), E-11
 P2 connector pinouts (table), E-10
 Universal Serial Bus (USB) connector and
 signals, E-8
 VGA connector and signals, E-4
CPU, parts locator diagram, 3-4

D

default settings, 3-1
 jumpers on CPU board (table), 3-1
 jumpers on I/O board (table), 3-3
 switches on CPU board (table), 3-2
directories and files installed on hard drive, 1-8

documentation

Adobe Acrobat, *xi*

how to use this documentation set, *xi*

DRIVE LED, 1-5, D-1

E

ECP (extended capabilities parallel), E-1

electrical specifications, B-1

electrostatic discharge damage (caution), 3-1

environmental specifications, B-2

extended capabilities parallel (ECP), E-1

F

files and directories installed on hard drive, 1-8

front panel, E-1

See also connectors

features, 1-4

layout and dimensions (figure), E-2

list of connectors, E-1

thickness of, E-1

functional overview of PXI-8170 Series, 2-1

G

getting started, hardware needed, 1-2

H

hard drive, 1-4

files and directories installed on, 1-8

hardware default settings, 3-1

jumpers on CPU board (table), 3-1

jumpers on I/O board (table), 3-3

switches on CPU board (table), 3-2

hardware description, 1-3

I

IDE controller

overview (table), 1-5

using SCSI hard drive in addition, F-2

IDE logic block, 2-3

images directory, 1-8

installation, 3-4

See also configuration

electrostatic discharge damage (caution), 3-1

injector/ejector handle position (caution), 3-5

procedure, 3-4

PXI-8170 installed in a PXI mainframe (figure), 3-6

removing unit from PXI mainframe, 3-7

installed system RAM, A-1

interface status and access LEDs, D-1

INTP configuration (figure), A-4

introduction, 1-1

INTS configuration (figure), A-4

ISA, interrupt resource allocation (table), C-1

J

jumpers and switches

CMOS operation (figure), A-2

jumpers on CPU board (table), 3-1

jumpers on I/O board (table), 3-3

keyboard and mouse, A-2

LCD resolution, A-2

parts locator diagram, 3-3

serial IRQ, INTP, and INTS, A-3

switches on CPU board (table), 3-2

K

keyboard, E-1

adapter cable, F-1

if connector doesn't fit, F-1

keyboard and mouse, E-3
 configuring, A-2
 connector location and pinout
 (figure), E-3
 connector signals (table), E-3
 logic block, 2-3
 overview (table), 1-6
 keyboard port (figure), A-3

L

LabVIEW and LabWindows/CVI application
 software, 1-7, 3-7
 LCD resolution, A-2
 LEDs
 Ethernet LEDs, D-1
 front panel LEDs, 1-4
 interface status and access LEDs, D-1
 interpreting status of, D-1

M

manuals directory, 1-8
 master/slave capabilities, 1-4
 mating connector, E-3, E-4, E-5, E-8
 memory, 1-4
 See also RAM
 monitor, F-1
 See also video
 mouse, E-1
 See also keyboard and mouse
 mouse port (figure), A-3

N

National Instruments software, 1-7
 National Instruments Web support, F-1
 NI-DAQ function library, 1-7
 NI-VISA high-level programming API, 1-7

O

onboard video, A-4
 online problem-solving and diagnostic
 resources, F-1
 OS directory, 1-8
 overview of PXI-8170 Series, 1-1

P

P1 connector pinouts (table), E-11
 P2 connector pinouts (table), E-10
 parallel port, 1-6, E-6
 connector location and pinout
 (figure), E-6
 connector signals (table), E-7
 overview (table), 1-6
 PC peripherals logic blocks, 2-3
 PCI bus
 basis of PXI-8170 Series, 1-1
 interrupts, C-1
 standard for desktop computer
 designs, 1-3
 PCI video circuitry logic block, 2-3
 peripheral expansion overview (table), 1-5
 peripherals
 See also connectors
 expansion capabilities (table), 1-5
 installing and configuring, 1-5
 physical specifications, B-1
 POWER OK LED, 1-5, D-1
 PS/2-style keyboard, E-1
 PS/2-style mouse, E-1
 PXI connectors, E-9
 function (logic block), 2-3
 location and pinout (figure), E-9
 P1 connector pinouts for the system
 controller slot (table), E-11
 P2 connector pinouts for the system
 controller slot (table), E-10
 PXI-1020 and PXI-1025 chassis support, 1-6

PXI-8170 Series

- benefits of PXI, 1-3
- block diagram, 2-2
- common questions and answers, F-1
- configuring, A-1
- connecting on the PXI backplane, A-3
- connectors
 - COM1 connector and signals, E-5
 - keyboard and mouse connector and signals, E-3
 - parallel port connector and signals, E-6
 - PXI connector and signals, E-9
 - Universal Serial Bus (USB) connector and signals, E-8
 - VGA connector and signals (table), E-4
- controllers, 1-1
- CPU parts locator diagram, 3-4
- design, 1-3
- embedded computer (figure), 1-2
- front panel
 - connectors, E-1
 - features, 1-4
 - thickness of, E-1
- front panel layout and dimensions (figure), E-2
- functional description, 2-1
- hard drive, 1-4
- hardware default settings, 3-1
 - jumpers on CPU board (table), 3-1
 - jumpers on I/O board (table), 3-3
 - switches on CPU board (table), 3-2
- I/O board parts locator diagram, 3-3
- installed in a PXI mainframe (figure), 3-6
- installing, 3-4
- ISA interrupt resource allocation (table), C-1
- LEDs, D-1
- logic blocks, 2-3
- memory, 1-4

- models, 1-4
- monitor, F-1
- National Instruments software, 1-7
- overview, 1-1
- peripheral expansion overview (table), 1-5
- RAM, recommendations for adding, B-2
- removing from the PXI mainframe, 3-7
- serial IRQ, INTP, and INTS, A-3
- setting up, 3-7
- software, 1-7
- specifications, B-1
 - electrical, B-1
 - environmental, B-2
 - physical, B-1
- system resources, C-1
- system slot functionality, 1-4

Q

- questions and answers, F-1

R**RAM**

- See also* memory
- adding RAM, B-2
- common questions, F-1
- installed system RAM, A-1
- SO-DIMMs from National Instruments (note), B-2
- type of memory in PXI-8170 Series, 1-4
- resources. *See* system resources
- resource tables, C-1
- RS-232 serial, E-1

S

- SCSI drive, booting from, F-2
- serial IRQ, INTP, and INTS, A-3

serial ports, 1-6
See also COM1 connector

serial RS-232, E-1

setting up the PXI-8170 Series, 3-7

socket 7 CPU, 2-3

SO-DIMM logic block, 2-3

SO-DIMMs from National Instruments
 (note), B-2

software, 1-7
 National Instruments software, 1-7
 NI-DAQ, 1-7
 NI-VISA, 1-7

software-related resources, F-2

specifications, B-1
 adding RAM, B-2
 electrical, B-1
 environmental, B-2
 physical, B-1

switches. *See* jumpers and switches.

system CMOS. *See* CMOS.

system resources, C-1
 ISA interrupt resource allocation
 (table), C-1
 PCI bus interrupts, C-1

system slot functionality, 1-4

T

technical support resources, F-1

telephone support, F-2

type of hard drive in PXI-8170 Series, 1-4

U

Universal Serial Bus (USB), 1-6, E-1, E-8
 connector function, 2-3
 connector location and pinout
 (figure), E-8
 overview (table), 1-5

V

VGA, E-4
 connector signals (table), E-4
 controller, E-1
 location and pinout (figure), E-4
 overview (table), 1-5

video, 1-5
See also monitor
See also VGA
 monitor (caution), F-1

W

watchdog timer, 1-6
 logic block, 2-3
 using and configuring, 2-3

Web support from National Instruments
 online problem-solving and diagnostic
 resources, F-1
 software-related resources, F-2

worldwide technical support, F-2