

Clerical Errors in the Safety Relay Module User's Manual

Thank you for purchasing the MELSEC-QS series safety relay module.

In the "Safety Relay Module User's Manual" (model code: 13J209), some clerical errors have been found. Please refer to the following and confirm the corrections.

1. Corresponding sections

- (1) 3.4 Extension Safety Relay Module Specifications, footnote for Table 3.6 Performance specifications of QS90SR2SP-EX (1/2)
- (2) 3.4 Extension Safety Relay Module Specifications, external connection diagram in Table 3.6 Performance specifications of QS90SR2SP-EX (2/2)
- (3) 3.4 Extension Safety Relay Module Specifications, footnote for Table 3.6 Performance specifications of QS90SR2SP-EX (2/2)
- (4) 5.4 Wiring, Table 5.4 Connectable safety devices
- (5) 5.4 Wiring, the text in (5) Connecting a light curtain

2. Correction details

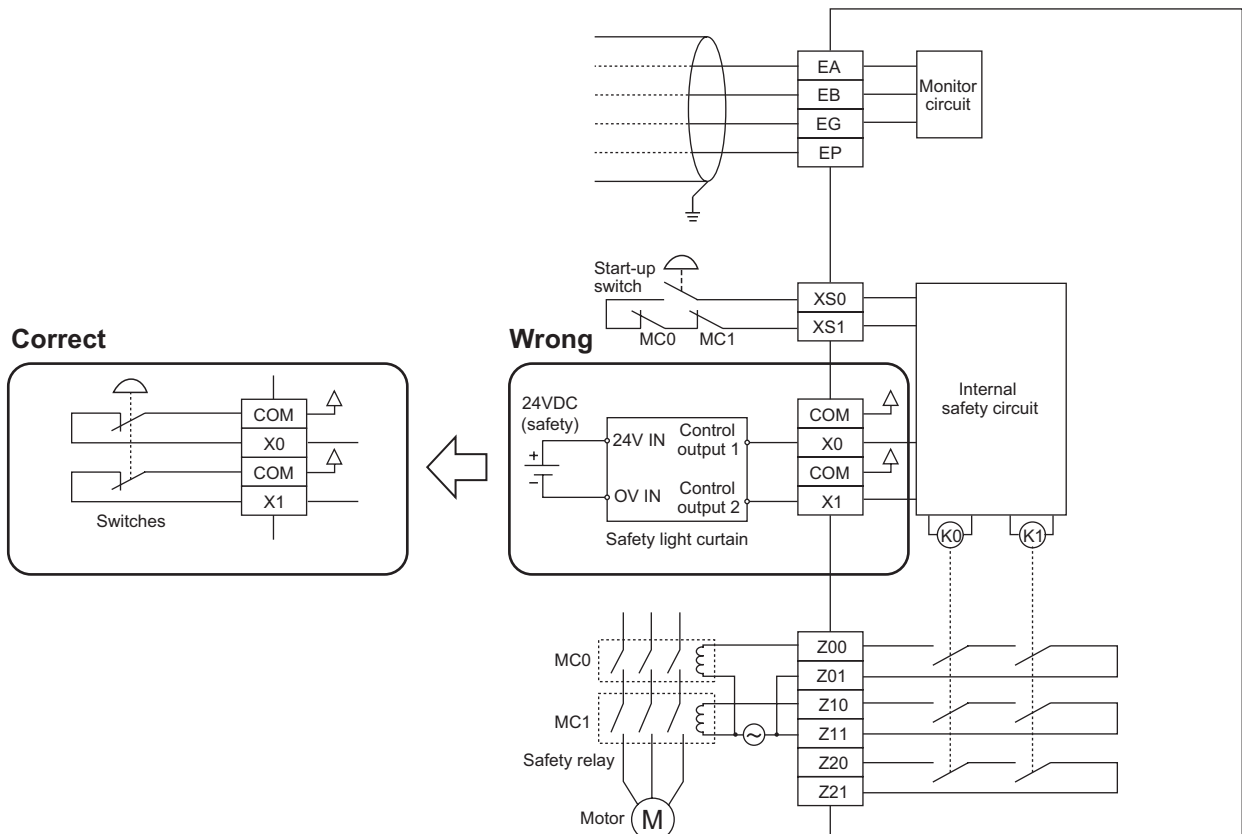
- (1) 3.4 Extension Safety Relay Module Specifications, footnote for Table 3.6 Performance specifications of QS90SR2SP-EX (1/2) (page 3-10)

Wrong *1: Category 4 is complied only when connecting a light curtain of Type 4.
*2: Manual operation such as start-up switch operation is excluded.

Correct ~~*1: Category 4 is complied only when connecting a light curtain of Type 4.~~ Deleted
*2: Manual operation such as start-up switch operation is excluded.

- (2) 3.4 Extension Safety Relay Module Specifications, external connection diagram in Table 3.6 Performance specifications of QS90SR2SP-EX (2/2) (page 3-11)

Instead of a light curtain, switches are connected to the extension safety relay module.



(3) 3.4 Extension Safety Relay Module Specifications, footnote for Table 3.6 Performance specifications of QS90SR2SP-EX (2/2) (page 3-11)

Wrong *3: When connecting an electromagnetic switch and such for output, connect its normally closed contacts in series between XS0 and XS1.

*4: Do not connect equipment other than a switch or sensor to each terminal of X0, X1, XS0, and XS1.

Correct *4: Do not connect any equipment other than switches to each terminal of X0, X1, XS0, and XS1.

(4) 5.4 Wiring, Table 5.4 Connectable safety devices (page 5-18)

Wrong

Table 5.4 Connectable safety devices

Module model	Terminal		Connectable device
QS90SR2SP-Q QS90SR2SP-CC QS90SR2SP-EX	X0	COM	Positive common
		X0	Input X0
	X1	COM	Positive common
		X1	Input X1
QS90SR2SN-Q QS90SR2SN-CC QS90SR2SN-EX	X0	COM	Positive common
		X0	Input X0
	X1	COM	Negative common
		X1	Input X1

Correct

Table 5.4 Connectable safety devices

Module model	Terminal		Connectable device
QS90SR2SP-Q QS90SR2SP-CC	X0	COM	Positive common
		X0	Input X0
	X1	COM	Positive common
		X1	Input X1
QS90SR2SP-EX	X0	COM	Positive common
		X0	Input X0
	X1	COM	Positive common
		X1	Input X1
QS90SR2SN-Q QS90SR2SN-CC QS90SR2SN-EX	X0	COM	Positive common
		X0	Input X0
	X1	COM	Negative common
		X1	Input X1

(5) 5.4 Wiring, the text in (5) Connecting a light curtain (page 5-19)

Wrong (5) Connecting a light curtain

When connecting a light curtain to the (safety relay module) connect it to X0 and X1 sides as shown in Figure 5.9.

Connect light curtain power supply and safety part power supply by their ground side or supply power from the same power supply.

Correct QS90SR2SP-Q or QS90SR2SP-CC