

GOLDAIR

Operating Instructions

Sandwich Maker



Model: GSM220

General care and safety guide

Thank you for choosing this Goldair Sandwich Maker. This appliance has been designed and manufactured to high standards of engineering and with proper use and care, as described in this leaflet, will give you years of useful service. Please read these instructions carefully and keep them for future reference.

ALWAYS

- ✓ Always ensure hands are dry before handling the plug or the Sandwich Maker.
- ✓ Always operate the Sandwich Maker on a secure, dry, level surface.
- ✓ Always allow adequate air space above and on all sides for air circulation. Do not allow the Sandwich Maker to touch curtains, wall coverings, clothing, dishtowels or other flammable materials during use. Do not use under cupboards or curtains.
- ✓ Caution is required on surfaces where heat may cause a problem – an insulated heat pad is recommended.
- ✓ Always be sure to unplug from the socket when not in use and before cleaning.
- ✓ Always allow the Sandwich Maker to cool before cleaning and storing.
- ✓ Carry out regular checks of the supply cord to ensure no damage is evident.
- ✓ Return the Sandwich Maker after a malfunction, or if it has been damaged in any manner, to an authorised electrical service technician for examination, repair or adjustment as special purpose tools are required.
- ✓ Children should be supervised to ensure that they do not play with the appliance.
- ✓ Take care not to scratch the special coating of the cooking plate. Use a wooden or heat resistant plastic spatula.
- ✓ Exercise caution if using foodstuffs containing sugar or products containing jam or preserves, as the fillings may become very hot.

The temperature of accessible surfaces may be high when the appliance is operating; exercise caution.

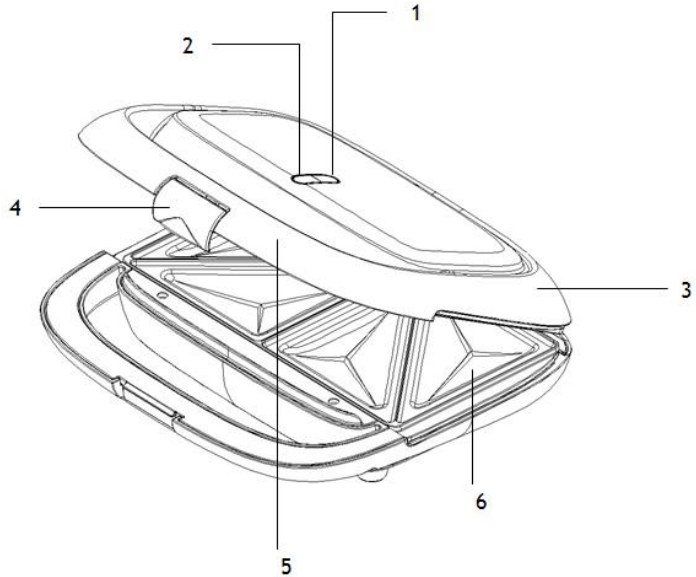
TECHNICAL SPECIFICATION

Model No: GSM220
Power Supply: 220-240VAC 50Hz
Power: 700W

NEVER

- ✗ Never use this appliance outdoors.
- ✗ Never use this appliance for any purpose other than its intended use. This appliance is intended for household use only or in similar applications such as:
 - Staff kitchen areas in shops, offices and other working environments;
 - Farm houses
 - By clients in hotels, motels and other residential type environments;
 - Bed and breakfast type environments.
- ✗ This appliance is not intended for use by persons (including children) with reduced physical, sensory or mental capabilities or lack of experience and knowledge, unless they are supervised or have been given instruction concerning the use of the Sandwich Maker by a person responsible for their safety.
- ✗ Close supervision is necessary when the appliance is near children.
- ✗ Never leave the appliance unattended when in use.
- ✗ Never allow the power cord to overhang the edge of a table or bench top or to touch any hot surface.
- ✗ Never place this appliance on or near a hot gas or electric burner or where it could touch a heated oven or microwave oven.
- ✗ Never immerse the Sandwich Maker cord set and plug in water or any other liquid to protect against electrical hazards.
- ✗ Never place the Sandwich Maker in a dishwasher.
- ✗ Never use harsh, abrasive or caustic cleaners to clean this appliance.
- ✗ Never operate the appliance with a damaged cord or plug, after it malfunctions, or if it has been damaged in any manner.
- ✗ The Sandwich Maker is not intended to be operated by means of an external timer or separate remote-control system. The use of an extension cord is not recommended.

Components



1. Power light (red)
2. Ready light (green)
3. Upper housing
4. Locking latch
5. Handle
6. Sandwich plates

Operating your Sandwich Maker

BEFORE USING YOUR SANDWICH MAKER

Before using your sandwich maker for the first time, clean the appliance and plates as described in the 'Cleaning' section. Brush a little cooking oil on the plates. Heat the appliance with the lid open for 5 minutes. Unplug and allow to cool, then remove any surplus oil with absorbent paper. The sandwich maker is now ready for use. When using your sandwich maker for the first time you may notice a fine smoke haze being emitted. This is normal and is due to the initial heating of the internal components.

Please read all instructions before using this appliance.

CAUTION:

**STEAM MAY BE EJECTED FROM BETWEEN THE PLATES DURING THE COOKING PROCESS. TAKE CARE NOT TO COME INTO CONTACT WITH THE STEAM AS IT MAY CAUSE BURNS.
ENSURE THE CORD HAS BEEN FULLY UNWOUND BEFORE EVERY USE.**

OPERATING YOUR SANDWICH MAKER

To make Toasted Sandwiches

1. Close the lid of the sandwich maker.
 2. Plug the appliance into the power supply. The red light will glow indicating that the sandwich maker is heating, whilst the green light remains off. Once the correct temperature for use has been reached, the red light will remain on and the green light will come on. This green light will switch on and off (temperature control).
 3. Whilst the sandwich maker is heating, prepare the bread and filling.
 4. For golden toasted sandwiches, spread butter on the outside of the bread. Beware of some spreads which are not suitable for toasting. Always choose bread of a suitable size to fit the plates. Place the filling between the unbuttered sides of bread. Ensure the sandwiches are evenly filled to assist with even browning.
 5. Open the sandwich maker by pulling the handle latch outwards and lifting the lid.
- CONTINUED OVERLEAF**

Operating your Sandwich Maker

6. Place the sandwiches into the appliance.
7. Close the lid, using a wooden spoon or heat resistant plastic spatula to hold the bread in place if necessary, until the handle latch locks. Do not force the lid closed. If the lid is difficult to close, you may have too much filling or the bread slices may be too thick.
8. Allow the sandwich to toast for 3-8 minutes according to taste and ensuring that raw ingredients (e.g. bacon) are thoroughly cooked. Alternatively, pre-cook them before toasting. Beware of steam which may escape from the front of the appliance.
9. Open the sandwich maker in one swift movement and remove the toasted sandwiches. Do not use a metal implement for this as it may damage the toasting plates.
10. After use, unplug the appliance and allow to cool.

To Make Pastry Snacks

1. Ready made pastry sheets such as filo or puff pastry are ideal for making quick and easy snacks.
2. Place a suitably sized piece of pastry sheet onto the pre-heated cooking plate of your sandwich maker.
3. Form hollows in the pastry and spoon on the filling such as apple, ricotta cheese or vegetables.
4. Top with another piece of pastry sheet and close the lid.
5. Cook until the pastry is golden brown and the filling cooked.

IMPORTANT

Be careful when biting into anything cooked in the sandwich maker, as some fillings such as cheese and jam can be extremely hot. You may need to let them cool before eating.

Care and cleaning

CLEANING

Remove the plug from the power supply before cleaning.

Do not clean the sandwich maker under running water and do not immerse in water.

To clean, allow the toasting plates to cool then wipe the appliance with a damp cloth plus a little washing up liquid if necessary. Dry carefully afterwards.

STORAGE

When the appliance is cool, the cord can be wrapped around the appliance.

GOLDAIR

SUPPORT AND TECHNICAL ADVICE

Goldair – New Zealand

Monday – Friday 8am-5pm

Phone +64 (0)9 917 4000

Phone 0800 232 633

info@cdb.co.nz

Goldair – Australia

Monday – Friday 8am-5pm

Phone +61 (0)3 9336 4423

Phone 1300 465 324

info@cdbgoldair.com.au

GOLDAIR

Two year warranty

Thank you for purchasing this Goldair product. Your product is warranted against faults and manufacture when used in normal domestic use for a period of **two years**. In non-domestic use Goldair limits the voluntary warranty to **three months**.

Goldair undertake to repair or replace this product at no charge if found to be defective due to a manufacturing fault during the warranty period.

This warranty excludes damage caused by misuse, neglect, shipping accident, incorrect installation, or work carried out by anyone other than a qualified electrical service technician.

PLEASE KEEP YOUR RECEIPT AS THIS WILL HELP VERIFY YOUR WARRANTY.

The benefits given to you by this warranty are in addition to other rights and remedies available to you under law in relation to the goods or services to which this warranty relates.

In Australia, our goods come with guarantees that cannot be excluded under the Australian Consumer Law. You are entitled to a replacement or refund for a major failure and compensation for any other reasonably foreseeable loss or damage. You are also entitled to have the goods repaired or replaced if the goods fail to be of acceptable quality and the failure does not amount to a major failure.

In New Zealand this warranty is additional to the conditions and guarantees of the Consumers Guarantee Act (1993).

Goldair – New Zealand
CDB Goldair
PO Box 100-707
N.S.M.C
Auckland

Phone +64 (0)9 917 4000
Phone 0800 232 633
www.goldair.co.nz

Goldair – Australia
CDB Goldair Australia Pty
PO Box 574
South Morang
Victoria, 3752

Phone +61 (0)3 9336 4423
Phone 1300 GOLDAIR (1300 465 324)
www.goldair.com.au

IMPORTANT: Please complete and retain this warranty card



Name Purchased from

Address Date of purchase

..... Name of product

Suburb Model no

Attach a copy of the purchase receipt to this warranty card