



OPERATOR'S MANUAL AND PARTS LIST

Electric Pole Hedge Trimmer - THEPHT

Spares & Support: 01793 333212

www.thehandy.co.uk

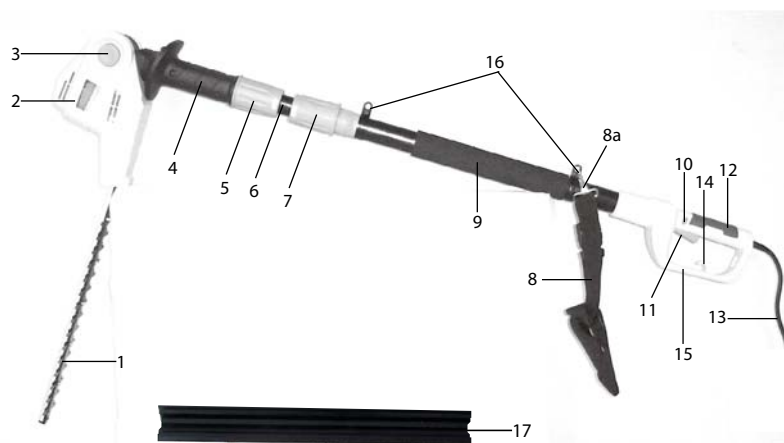
Before use please read & understand this manual, paying particular attention to the safety instructions.

04/03/2014

CONTENTS

3	Know Your Product
3	Technical Specifications
4 - 5	Description of Symbols
5	Contents of the Pole Hedge Trimmer
6	General Safety Instructions
8	Additional Safety Instructions for the Pole Hedge Trimmer
9	Assembly Instructions
10	Operation
10	Switch On/Off
10	Trimming
11	Tips for Using Your Pole Hedge Trimmer
13	Maintenance
14	Parts Diagram
15	Parts List
16	Guarantee
17	EC Declaration of Conformity
18	Also Available in The Handy Range

KNOW YOUR PRODUCT



1	Blade	2	Air vents
3	Lock-off button angle adjustment	4	Support
5	Locking sleeve (upper)	6	Pole extension
7	Locking sleeve (lower)	8	Harness
8a	Securing clip	9	Pole / Gripping surface
10	Lock-off button	11	On/off switch
12	Main handle	13	Power cord with plug
14	Cord strain relief	15	Trigger guard
16	Loop	17	Blade cover

TECHNICAL SPECIFICATIONS

Rated voltage:	230V ~ 50 Hz
Rated input:	500 W
No-load speed:	3300/min
Max. cutting length:	384 mm
Max. cutting capacity:	20 mm

DESCRIPTION OF SYMBOLS

The rating plate on your tool may show symbols. These represent important information about the product instruction on its use.



Lock / to tighten or secure.



Unlock / to loosen.



Caution / Warning.



Wear eye protection.



Use ear protection.



Wear respiratory protection.



Wear sturdy, non-slip footwear.



Read the user manual.



Use protective gloves.



Do not expose to rain.



Disconnect from mains power immediately if the power cord becomes damaged.

DESCRIPTION OF SYMBOLS (CONT.)



Warning! Switch the product off and disconnect it from the power supply before assembly, cleaning, adjustments, maintenance, storage and transportation.



Keep fingers away from a moving cutting device!



Wear tight-fitted protective clothes.



Warning! Danger from overhead electric-power lines! Keep at least 10m distance.



Conforms to all relevant European Directives.



This product is of protection class II. That means it is equipped with enhanced or double insulation.



WEEE symbol. Waste electrical products should not be disposed of with household waste. Please recycle where facilities exist. Check with your Local Authority or local store for recycling advice



Objects thrown by the product could hit the user or bystanders. Always ensure that other people and pets remain at a safe distance from the product when it is in operation. In general, children must not come near the work area.



Conforms to relevant standards for electromagnetic compatibility.

Z1096

CONTENTS OF POLE HEDGE TRIMMER

1* Unit

1* Instruction manual

GENERAL SAFETY INSTRUCTIONS



WARNING! Read all instructions. Failure to follow all the instructions listed below may result in electric shock, fire and/or serious injury. The term "power tool" in all of the warnings listed below refers to your mains operated (corded) power tool.

SAVE THESE INSTRUCTIONS

1) Work area

- Keep the work area clean and well lit. Cluttered or dark areas can lead to accidents.
- Do not operate power tools in explosive atmospheres, such as in the presence of flammable liquids, gases or dust. Power tools create sparks which may ignite the dust or fumes.
- Keep children and bystanders away while operating a power tool. Distractions can cause a loss of control.

2) Electrical safety

- Power tool plugs must match the outlet. Never modify the plug in any way. Do not use any adapter plugs with earthed (grounded) power tools. Unmodified plugs and matching outlets will reduce risk of electric shock.
- Avoid contact with earthed or grounded surfaces, such as pipes, radiators, ovens and refrigerators. There is an increased risk of electric shock if your body is earthed or grounded.
- Do not expose power tools to rain or wet conditions. Water entering a power tool will increase the risk of electric shock.
- Do not misuse the cord. Never use the cord for carrying, pulling or unplugging the power tool. Keep the cord away from heat, oil, sharp edges or moving parts. Damaged or entangled cords increase the risk of electric shock.
- If the supply cord is damaged, it must be replaced by an electrician or one of our authorised service dealers.
- When operating a power tool outdoors, use an extension cord suitable for outdoor use. Use of a cord suitable for outdoor use reduces the risk of electric shock.
- If operating a power tool in a damp location is unavoidable, use a residual current device (RCD) protected supply. Use of an RCD reduces the risk of electric shock.
- Have your tool repaired by an electrician or one of our authorised service dealers. This power tool complies with relevant the safety requirements. Electrical appliances must only be repaired by qualified personnel using original spare parts; otherwise this may result in serious injury to the user.

3) Personal safety

- Stay alert, watch what you are doing and use common sense when operating a power tool. Do not use a power tool while you are tired or under the influence of drugs, alcohol or medication. A moment of inattention while operating power tools may result in serious personal injury.
- Use safety equipment. Always wear eye protection. Safety equipment such as dust mask, non-skid safety shoes, hard hat, or hearing protection should be used whenever conditions require and will reduce personal injuries.

GENERAL SAFETY INSTRUCTIONS (Cont.)

- Avoid accidental starting. Ensure the switch is in the 'off' position before plugging in. Carrying power tools with your finger on the switch or plugging in power tools that have the switch may cause an accident.
- Remove any adjusting key or wrench before turning the power tool on. A wrench or key left attached to a rotating part of the power tool may result in personal injury.
- Do not overreach. Keep proper footing and balance at all times. This enables better control of the power tool in unexpected situations.
- Dress properly. Do not wear loose clothing or jewellery. Keep your hair, clothing and gloves away from moving parts. Loose clothes, jewellery or long hair can be caught in moving parts.
- If devices are provided for the connection of dust extraction and collection facilities, ensure these are connected and properly used. Use of these devices can reduce dust related hazards.

4) Power Tool Use and Care

- Do not force the power tool. Use the correct power tool for your application. The correct power tool will do the job better and safer at the rate for which it was designed.
- Do not use the power tool if the switch does not turn it on and off. Any power tool that cannot be controlled with the switch is dangerous and must be repaired.
- Disconnect the plug from the power source before making any adjustments, changing accessories, or storing power tools. Such preventive safety measures reduce the risk of starting the power tool accidentally.
- Store idle power tools out of the reach of children and do not allow people unfamiliar with the power tool or these instructions to operate the power tool. Power tools are dangerous in the hands of untrained users.
- Maintain power tools. Check for misalignment or sticking of moving parts, breakage of parts and any other condition that may affect the power tool's operation. If damaged, have the power tool repaired before use. Accidents can be caused by poorly maintained power tools.
- Keep cutting tools sharp and clean. Properly maintained cutting tools with sharp cutting edges are less likely to stick and are easier to control.
- Use the power tool, accessories and tool bits etc. in accordance with these instructions, and in the manner intended for the particular type of power tool, taking into account the working conditions and the work to be performed. Use of the power tool for operations different from the intended use could lead to a accidents and injury to the user.

5) Service

- Have your power tool serviced by a qualified repair person using only identical replacement parts. This will ensure that the power tool is safe to use.

ADDITIONAL SAFETY INSTRUCTIONS

Training

1. Become familiar with the instruction manual before attempting to operate the product.

Preparation

1. **THIS PRODUCT CAN CAUSE SERIOUS INJURIES.** Read the instructions carefully for the correct handling, preparation, maintenance, starting and stopping of the product. Become familiar with all controls and the proper use of the product.
2. Never allow children to use the product.
3. Beware of overhead power lines. Do not use the product in any position that causes any part to come within 10m of overhead electrical lines.
4. Avoid operating while people, especially children, are nearby.
5. Dress appropriately. Do not wear loose clothing or jewellery, which could be caught in moving parts. Use of sturdy gloves, non-skid footwear and safety glasses is recommended.
6. If the cutting mechanism strikes any foreign object or the product starts making any unusual noise or vibration, switch the product off, allow the product to stop, disconnect it from the power supply and let it cool down. Take the following steps:
 - inspect for damage,
 - check for, and tighten, any loose parts,
 - have any damaged parts replaced or repaired with parts with equivalent specifications.



WARNING! Wear ear and eye protection!

7. In case of emergency release the on/off switch and remove the harness from your shoulder.


Additional safety warnings

1. Keep hands and feet away from the cutting devices at all times and especially when switching the product on.
2. Do not try to grasp or remove trimmings when the product is running. Only remove trimmings when the product is switched off and disconnected from the power supply.
3. Always be sure of a safe and secure operating position, whilst using the product. Always be sure of your footing when using steps and when using your product.
4. Check cutting device regularly for damage, and if damaged repair immediately.
5. Do not overload the product.
6. Check immediately if the product starts to vibrate abnormally. Excessive vibration can cause injury.
7. Switch the product off when the cutting device is blocked. Disconnect from power supply and remove the blockage. Inspect the cutting device for damage before using the product again.

ADDITIONAL SAFETY INSTRUCTIONS (Cont.)

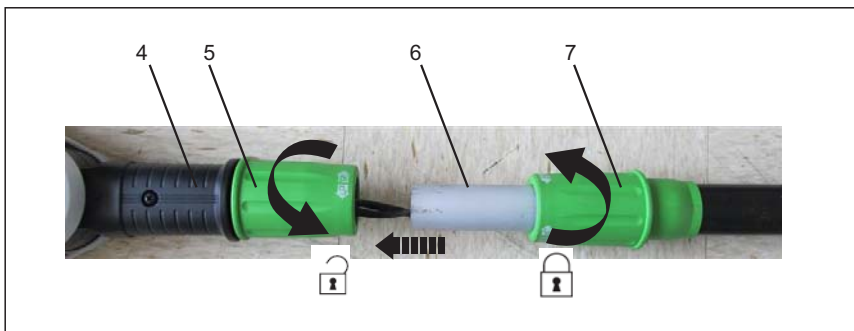
8. Follow the maintenance and repair instructions for this product. Never carry out any modifications of the product. Information about maintenance and repair is provided in this instruction manual.
9. Know how to stop the product quickly in an emergency.
10. Do not expose to rain. Do not operate the product on a wet hedge.
11. Use the product only in daylight or good artificial light.
12. Prolonged use of the product exposes the user to vibrations that can cause a range of conditions collectively known as hand-arm vibration syndrome (HAVS) e.g. fingers going white; as well as specific diseases such as carpal tunnel syndrome.

ASSEMBLY INSTRUCTIONS

 **WARNING!** The product must be fully assembled before operation! Do not use a product that is only partly assembled or assembled with damaged parts! Follow the assembly instructions step-by-step and use the pictures provided as a visual guide to easily assemble the product! Do not connect the product to a power supply before it is completely assembled!

For the product, a one-time assembly is required.

1. Loosen upper (5) and lower locking sleeve (7) and pull the pole extension (6) outward.
2. Align the pole extension (6) to the support (4) and insert it until it clicks.
3. Fasten both locking sleeves (5, 7).



 **WARNING!** Once assembled the product should not be disassembled again!

ASSEMBLY INSTRUCTIONS (Cont.)

Blade cover

1. Remove the blade cover (17) from the blade (1) before operation.



OPERATION

Switching on/off

1. Ensure that the blade (1) is not touching any objects.
2. Press the lock-off button (10) and hold it in position.
3. Press the on/off switch (11) to switch the product on .
4. Release the on/off switch (11) to switch the product off.



Trimming

1. Adjust the pole to the required length as described above.
2. Cut and remove branches exceeding the cutting capacity of this product using a pruner before operation.
3. Always hold the product firmly with both hands on gripping surface (9) and handle (12). Never operate this product using only one hand.
4. Cut from the bottom to the top. This will prevent any of the cuttings falling into the path of the area still to be cut.

OPERATION (Cont.)

5. After cutting the sides proceed to the top.
6. When cutting wide hedges, with the cutting area in sight, move the cutting blade lightly through the cutting surface in a sweeping motion following the shape of the hedge or shrub. A slight tilt downwards of the cutting blade in the direction of motion is recommended for optimum cutting performance.



7. Move the product slowly forward when cutting higher hedges if the cutting area is out of sight.
8. Do not rush and do not attempt to cut too much with one stroke of the cutting blade.
9. Cut in a number of stages if the area being cut is particularly long to achieve a better result; smaller cuttings will allow for easy composting.

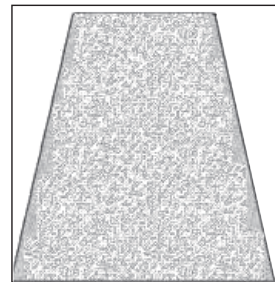


NOTE: When shaping, it is advisable to achieve a trapezoidal shape. A trapezoidal cut corresponds to the natural growth of plants and results in optimal hedge growth, as it will expose more light to the lower end of the hedge.

Tips for Using this Pole Hedge Trimmer

Length adjustment

1. Loosen the lower locking sleeve (7).
2. Push the pole (9) and pole extension (6) towards each other to retract or pull away from each other to extend (Fig. 8).



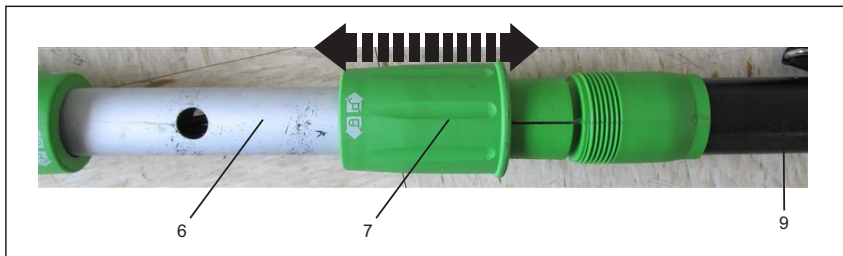
! WARNING! The length of the extension pole is limited! Stop pushing/pulling as soon as you feel resistance!

Extend the extension only to the length required to reach the hedges being trimmed.

OPERATION (Cont.)

Do not attempt to use the product at a length which does not allow you to achieve proper footing and balance at all times!

3. Tighten the locking sleeve (7) once the desired length is adjusted.



Angle adjustment

Adjust the blade angle to fit the growth of the plant.

1. Depress the lock-off button (3) of the trimming head while adjusting it.



2. Ensure the lock-off button (3) snaps securely in place.

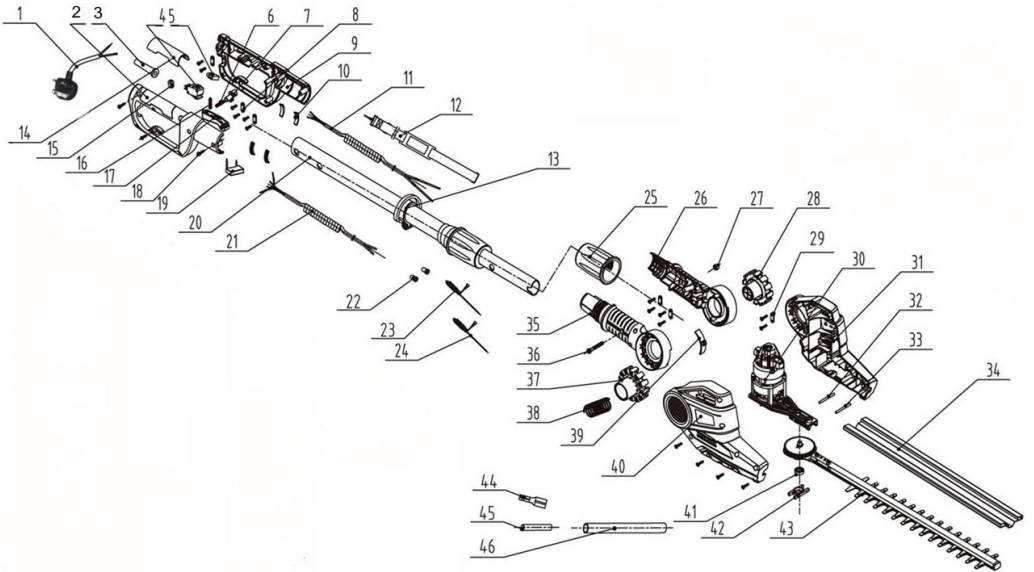


⚠ WARNING! The head can be adjusted in five different positions. Always ensure the head is securely locked! Do not attempt to use the product with the head in any other position or unlocked!

MAINTENANCE

Before and after each use, check the product and accessories (such as application tools) for wear and damage. If required, exchange them for new ones as described in this instruction manual. Observe the technical requirements.

PARTS DIAGRAM



PARTS LIST

Item No	Part No	Description	QTY
1	TH204-1	Cable & Plug	1
2	TH204-2	Right Bottom Handle	1
3	TH204-3	Sheath	1
4	TH204-4	Switch	1
5	TH204-5	Connector	1
6	TH204-6	Reset Spring	1
7	TH204-7	Lock Button	1
8	TH204-8	Cable Clamp	5
9	TH204-9	Left Bottom Handle	1
10	TH204-10	Shock Pad	4
11	TH204-11	Spring Line 1	1
12	TH204-12	Brace	1
13	TH204-13	Brace Ring	1
14	TH204-14	Soft Grip	1
15	TH204-15	Coil	1
16	TH204-16	Switch Spring	1
17	TH204-17	Switch Button	1
18	TH204-18	Self Tapping Screw 4*14	34
19	TH204-19	Capacitor	1
20	TH204-20	Telescopic Shaft Assembly	1
21	TH204-21	Spring Line 2	1
22	TH204-22	Closed End Terminal	2
23	TH204-23	Inductor 1	1
24	TH204-24	Inductor 2	1
25	TH204-25	Collar	1
26	TH204-26	Left Top Handle	1
27	TH204-27	Locknut	1
28	TH204-28	Cog	1
29	TH204-29	Cable Clamp	1
30	TH204-30	Motor Assembly	1
31	TH204-31	Left Motor Housing	1
32	TH204-32	Fixed Pin	1
33	TH204-33	Blade Fixed Pin	1
34	TH204-34	Blade Cover	1
35	TH204-35	Right Top Handle	1
36	TH204-36	Screw	1
37	TH204-37	Cog	1
38	TH204-38	Spring	1
39	TH204-39	Slide Gasket	1
40	TH204-40	Right Motor Housing	1
41	TH204-41	698Z Bearing	1
42	TH204-42	Bearing Housing	1
43	TH204-43	Blade Assembly	1
44	TH204-44	Terminal	2
45	TH204-45	Heat Shrinkable Tube	1
46	TH204-46	Pipe	1

GUARANTEE

This product is guaranteed against manufacturing defects for a period of 12 months. This does not cover the product where the fault is due to misuse, abuse, use in contravention of the instructions, or where the product has been the subject of unauthorised modifications or alterations. This warranty only covers domestic use and will be void if the tool is used for a commercial application.

In the event of a problem with the product within the guarantee period, please contact Customer Service on 01793 333212 or email:

customerservice@handydistribution.co.uk

If the issue cannot be resolved over the telephone or by email, you may be referred to your local approved service dealer.

Please keep your sales receipt as proof of purchase

Your statutory rights remain unaffected.

Guarantor: Handy Distribution SN3 4NS

Whilst every effort is made to accurately represent the product, small variations in colour, design and specification may occur. We reserve the right to alter the product without giving notice. All images are illustrative only and may differ from the product due to ongoing product development.





EC Declaration of Conformity

We, Importer
Handy Distribution
SN3 4NS

Declare that the product
Designation: ELECTRIC HEDGE TRIMMER
Model: THEPHT

Complies with the following directives:
2006/42/EC / Annex 1 - Machinery Directive
2006/95/EC / Annex 1 – Low Voltage Directive
2000/14/EC amended by 2005/88/EC - Noise Emission in the Environment by Equipment for Use Outdoors Directive.
06/42/EC - Annex I/05.06

The conformity assessment procedure followed was in accordance with
Directive 2006/42/EC

Name of the Notified Body: TÜV Rheinland LGA Products GmbH
Address: Tillystraße 2 - 90431 Nürnberg

- **Measured Sound Pressure Level: 97.2 dB (A)**
- **Guaranteed Sound Power Level: 100 dB (A)**

Standards and technical specifications referred to:
2006/42/EC / Annex 1 - ISO 1463, ISO 2178, ISO 3767-1, ISO 3767-3, ISO 3767-4, ISO 3864-1, ISO 3864-2, ISO 5347-22, ISO 5348, ISO 5349-2:2001 6.1.4.2, ISO 7293, ISO 8041, ISO 8893, ISO 9772, EN ISO 10517:2009, EN ISO 11203, ISO 11684, ISO/TR 11688-1, ISO 11688-2, ISO 11691, ISO 11820, EN 12096, ISO 12100-1, ISO 12100:2010, ISO 12100-2:2003 Clause 6, ISO 13857, IEC 60065, IEC 60112, IEC 60127-3, IEC 60204-1, IEC 60227, IEC60245, IEC 60309, IEC 60320, IEC 60335-1, IEC 60384-14, IEC 60417-5008 (DB:2002-10), IEC 60529, IEC 60695-2-11, IEC 60695-11-10, IEC 60695-11-5, IEC 60730-1, EN 60745-1:2009+A11, IEC 60825-1, IEC 60884, IEC 60998-2-1, IEC60998-2-2, IEC 60999-1, IEC 61058-1, IEC 61540, IEC 61558-1, IEC 61672-1, ZEK 01.4-08/11.11
2006/95/EC
2000/14/EC amended by 2005/88/EC - EN ISO 3744:1994, EN ISO 3744: 1995, ISO 3745, ISO 4871:1996, ISO 11094-1991, ISO 11201

Authorised signatory and technical file holder
Date: 03/03/2014

Signature:
Name / title: Mr. Simon Belcher / Managing Director
Hobley Drive, Stratton St Margaret, Swindon, Wiltshire, SN3 4NS.

The Handy

A SELECTION OF QUALITY PRODUCTS FROM OUR VAST RANGE



HAND PUSH LAWN MOWERS
ELECTRIC & PETROL BLOW VACS
ELECTRIC & PETROL SHREDDERS
ELECTRIC, PETROL & MANUAL
LOG SPLITTERS
LAWN SWEEPERS
PETROL LINE TRIMMERS
PETROL BRUSHCUTTERS
PETROL MULTICUTTERS
ELECTRIC & PETROL CHAINSAWS
LOG SAW HORSES
CORDLESS & PETROL
HEDGETRIMMERS
ELECTRIC & PETROL TILLERS
AERATORS & DETHATHERS
GARDEN & SALT SPREADERS
PUSH & TOWED ROLLERS
SNOW CLEARANCE TOOLS
SPRAYERS
SACK TRUCKS
TROLLEYS & TRAILERS
LIGHT CONSTRUCTION



FIND OUT MORE AT WWW.THEHANDY.CO.UK

To order spare parts and see the complete range of garden machinery and garden equipment from Handy, visit:

www.thehandy.co.uk

Spares & Support: 01793 333212

