

**754-1**

## UNIVERSAL REPLACEMENTS FOR ELECTRIC WATER HEATER THERMOSTATS AND LIMITS

Surface Mount Temperature Sensing Controls

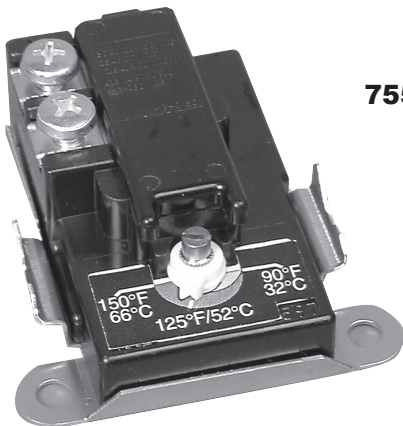
### FEATURES

- High electrical capacity.
- Snap-Action contact.
- Long life-proven reliability.
- Adjustable control or manual reset styles.

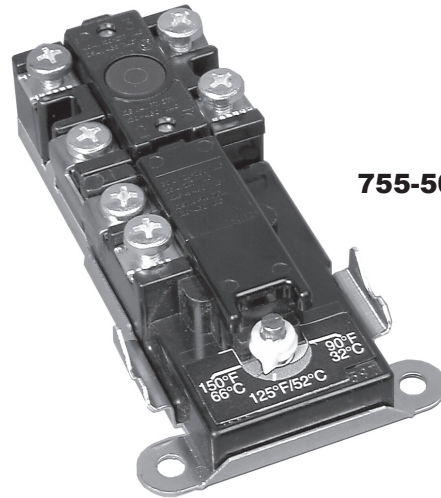
### SPECIFICATIONS

Agency . . . . . U.L. and C.S.A. approved

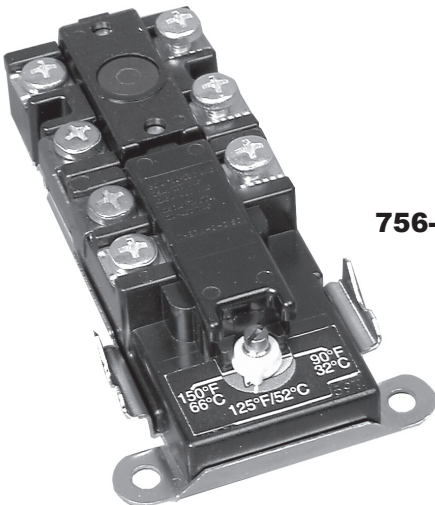
Model Number	Description	Switch Action	Range	A.C. Electrical Ratings (Non-Inductive)		
				120 / 240 VAC	277 VAC	480 VAC
754-1	DPST limit (manual reset)	Open on Rise	170°F fixed (77°C)	—	40.0A	25.0A
755-1	SPST thermostat	Open on Rise	90 to 150°F(32 to 66°C)	30.0A	25.0A	12.5A
755-50	754-1 + 755-1	—	—	30.0A	25.0A	12.5A
756-1	SPDT thermostat	Open 1-2 on Rise	90 to 150°F(32 to 66°C)	30.0A	25.0A	12.5A
756-50	754-1 + 756-1	—	—	30.0A	25.0A	12.5A



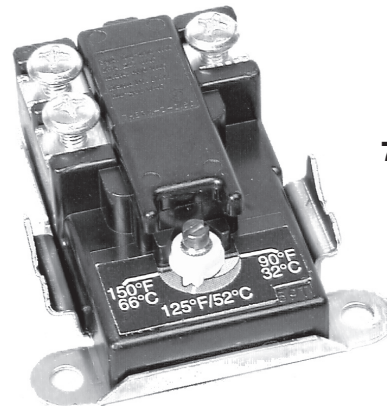
**755-1**



**755-50**



**756-50**



**756-1**

HYDRONIC / APPLIANCE