

CC 9056



Index

Introductory information	2
1. General	2
2. Security guidelines	2
Installation of the hands-free car kit	4
3. Scope of supply	4
4. Positioning and mounting	6
5. Connections on the electronics box	9
6. Installation of the audio switchbox AC 5120	13
Operating guidelines	17
7. Using the hands-free car kit for the first time	17
8. Handling via Touch screen	18
9. Establishing a <i>Bluetooth</i> connection	18
10. Menu navigation	20
11. Accepting, making, ending calls	31
12. Transferring Calls	32
13. Conference Mode	33
Further Information	34
14. Service	34
15. Appropriate use of this system	35
16. Approvals and declaration of conformity	35

1. General

Dear customer,

Congratulations on purchasing a BURY hands-free car kit. You have chosen a high quality product that is extremely easy to use.

Please read the operating manual carefully so that you can fully enjoy your BURY hands-free car kit. If you have any further questions concerning installation or operation of your car kit, please contact your dealer. He will be happy to give you reliable advice.

You can also contact our hotline. Our phone and fax numbers are listed in the chapter Service at the end of the operating instructions.

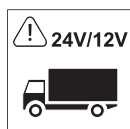
Have a good trip!

2. Security guidelines



Installation - who should do it

We recommend to let a specialised workshop perform the installation. Only professionals will observe the installation requirements of the automotive manufacturer (VAS 1978) correctly.



Power supply

This system has been designed for the use in vehicles with an on-board supply system of 12 volts (passenger car). If you intend to install the device in a vehicle with an on-board supply system of 24 volts (lorry), please use a voltage converter. If you have queries regarding this subject, please contact our hotline.



Position, volume

Install the components of the device in the vehicle so that your field of vision is not impaired and the components are not mounted in the impact zone of the passenger compartment or in the airbag inflation zones. The removal of coverings (with and without airbags) or components of the dashboard requires – in some cases – special tools and special knowledge.

Intended use

We shall not be liable for damages or malfunctions due to improper use of the hands-free system. Therefore, do not expose the device to moisture, extreme temperatures or shocks and carefully follow the procedure described in the installation and operating guidelines.



Use while driving

Operate the system only when the situation allows it and when you do not endanger, harm, constrain, or annoy other road users. The volume of the device has to be set in a way that exterior noise is still audible.

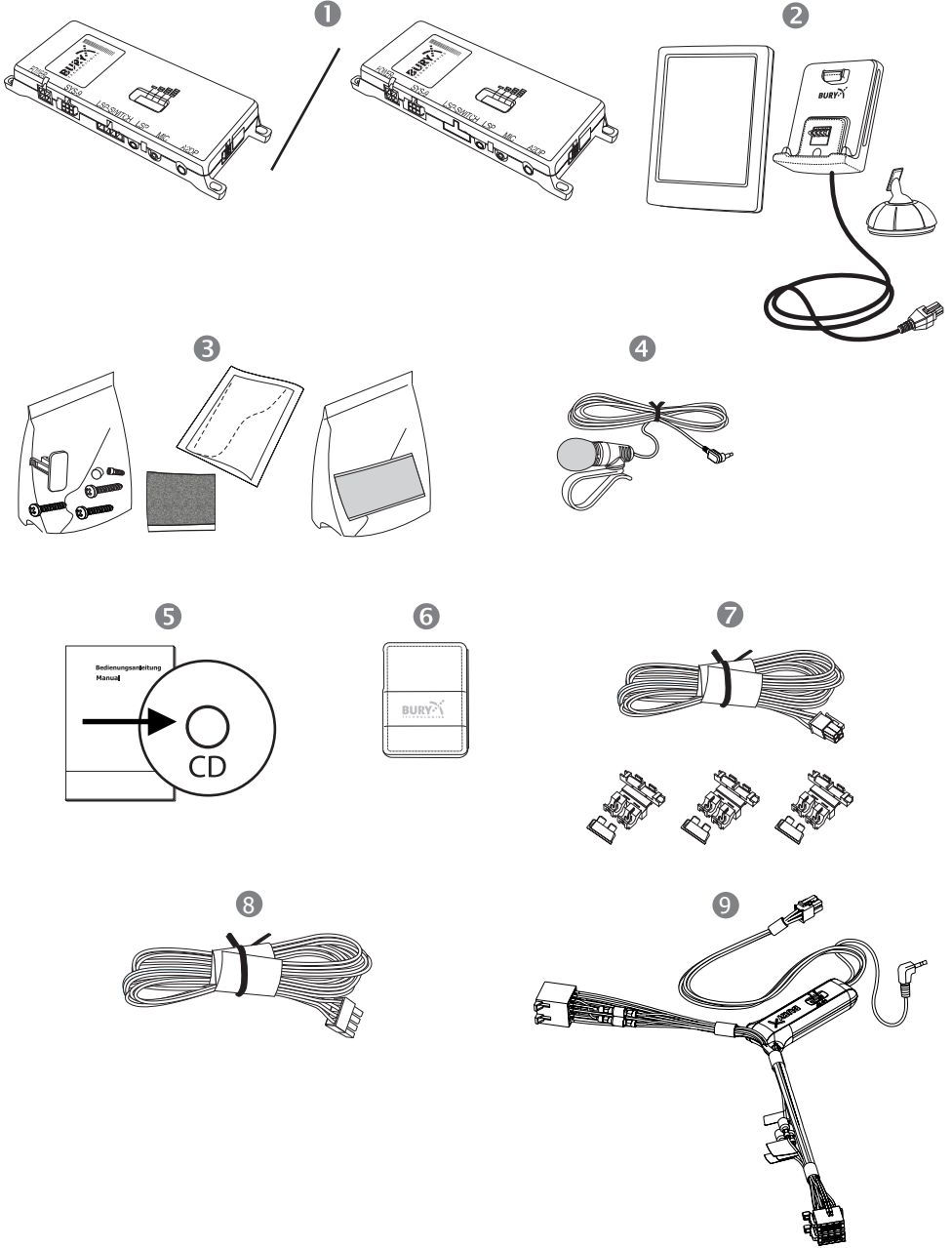
Faults

Do not commission the device if you detect or assume a defect. In this case, contact a Bury specialised dealer or our hotline. Improper repair efforts can be dangerous for you. Therefore, only skilled personnel may perform inspections.

Important:

- ▶ The driver is ultimately responsible for the safe operation and control of their vehicle at all times. You should never use a hand held phone, including sending or reading text or picture messages, while driving.
- ▶ Research indicates that there is a risk to safety when the driver of a motor vehicle is distracted and using a mobile phone while driving can be a distraction.
- ▶ The manufacturer strongly recommends that you use a hands-free solution when driving.

3. Scope of supply



The hands-free car kit (HFCK) is supplied with different combinations of components, depending on the sales regions (countries). The operating manual refers to all versions.

Description of the components:

- 1) Electronics box (with or without an internal switch box, depending on version)
- 2) Monitor (Multifunction display), holder and installation pad
- 3) Mounting accessories
 - Fixing screws for electronics box, rider, screws for the holder and rubber cover, adhesive tape, cleaning cloth
- 4) Microphone
- 5) Printed installation and operating manual
- 6) Case

Version 1, with integrated loudspeaker switch box:

- 7) Power supply cable with fuses
- 8) Cable for internal loudspeaker switch box

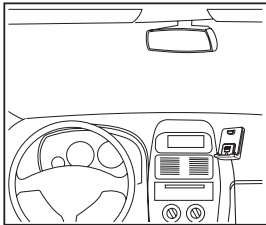
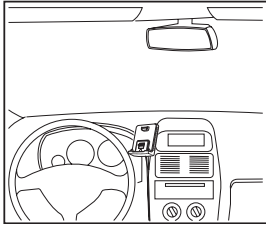
Version 2, with external loudspeaker switch box:

- 9) External loudspeaker ISO switch-box AC 5120

Note:

► If certain components are added or omitted you will receive the corresponding information on a separate enclosure.

4. Positioning and mounting



Step 1:

First of all, please choose the most convenient position for the attached monitor on the holder and the installation pad in your vehicle by checking different positions in the vehicle.

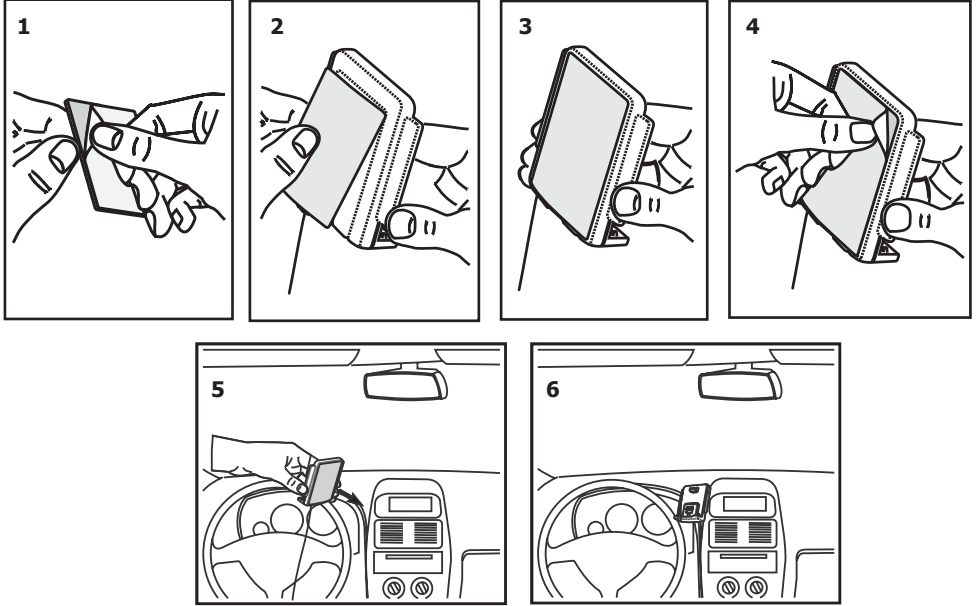
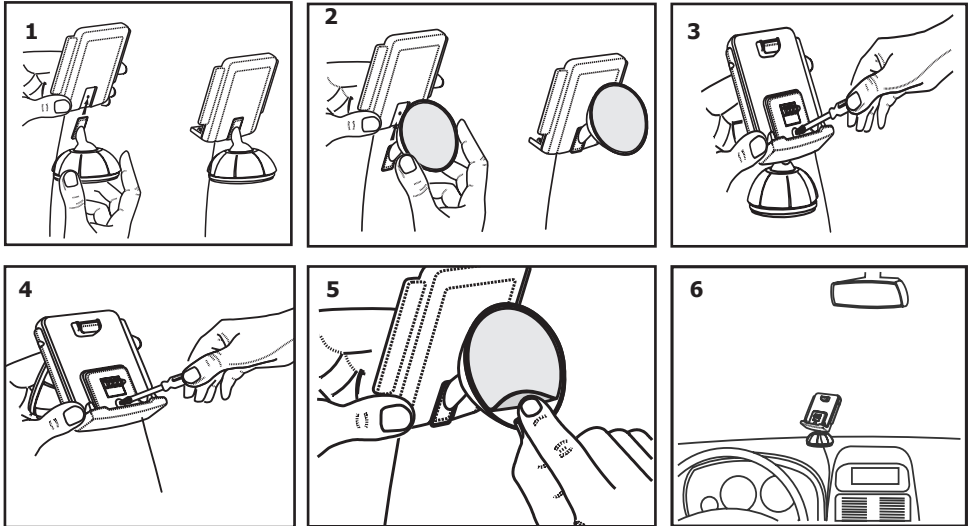
If you would like to use the device during your journey, positioning it in the front area on the driver's side is advisable. Sit in the vehicle and check whether you can reach the device without difficulty.

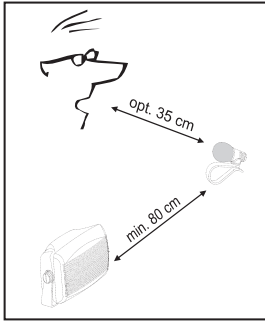
After having found a suitable position for the monitor in the vehicle you can now mount / attach the installation pad / the holder with or without the installation pad accordingly. Please use a cleaning cloth for degreasing the surfaces to which you want to attach the corresponding adhesive surface of either the holder or the installation pad.

The end of the cable with the small Molex connector on the holder is ideally suited for placing through small openings in the dashboard area. This facilitates a practically invisible installation of the cable. Take the length of the cable into account and make sure that it is of sufficient length to reach the intended location of the electronics box.

Important:

- ▶ When positioning the monitor please take care that the monitor does not impair the view onto the road, that it will not be installed in the impact zone of the passenger compartment (amongst others in the airbag inflation zones) and that the cable may be laid without any problems.
- ▶ The installation pad can be affixed just once, removing could damage the adhesive area. In case of high variations in temperatures - depending on the structure and the features - decolourisations of the surfaces can occur during the subsequent utilization.
- ▶ Please avoid direct sunlight on the monitor or high internal temperatures, which can be rapidly reached in parked vehicles. In such cases, remove the monitor of the hands-free car kit from the cradle and put it in the car glove pocket or glove box for instance.

Example of installation 1:**Example of installation 2:**

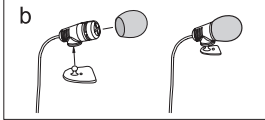
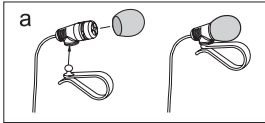


Step 2:

Depending on the vehicle type and its equipment (e.g. airbags), it is reasonable to install the microphone either at the A-pillar, at the sun shield or at the roof interior. For details about the equipment features please refer to the vehicle documents.

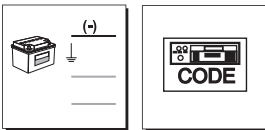
Step 3:

Remove or loosen up cladding and covers to be able to install all of the cables in the vehicle as comfortably as possible. Please lay the cables in a way that they do not lie/hang unsecured in the vehicle and that they may not influence the conducting of the vehicle. When laying a cable, please take care that it is not under traction stress but that it has some tolerance. Avoid crushing the cable as damages of the insulation can be caused by friction/rubbing.



Step 4:

Install the electronics box at a convenient place in the vehicle. This can e.g. be behind the radio, in the glove box, or in the centre console. Please mind that you can access the connections of the box without difficulty. It is possible that you will have to connect the components before attaching the electronics box, if it isn't possible to do this afterwards due to a lack of space. A description of the connections is provided in the next section.



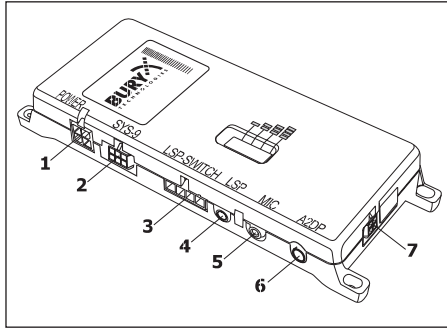
Before connecting the components to the electronics box you should branch off the battery for safety reasons. In doing so, take into account that there might be a radio coding (confer radio manual).

Important:

► Please install the electronics box behind a cover or somewhere you can only reach by opening or unfastening a protective cover / a cover. The terminal box must not hang loosely in the vehicle.

5. Connections on the electronics box

The additional components of the HFCK are connected to the electronics box. The following connections are provided:



Connection options:

- 1 Power supply / Mute
- 2 basePlate System 9 adapted for CC 9060/CC 9056
- 3 Voice output of the hands-free car kit, cable for internal loudspeaker switch box
(This connection is not available on version 2)
- 4 Speaker output, Phone-OUT (Jack 3,5 mono)
- 5 Microphone input
- 6 AUX-Out connection, LINE-OUT (Jack 3,5mm stereo)
- 7 Monitor (Multifunction display) / Touch screen

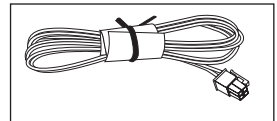
Connection 1 - Power supply / Mute

Version 1:

The power supply of the HFCK is established via a 4-core cable (scope of supply no. 7). Connect the black (clamp 31 – minus), the red (clamp 30 – steady plus) and the blue cable (clamp 15 – ignition plus) to the power supply of your radio (where required via the cigarette lighter or the fuse box). After connection to the counterpart, the yellow cable provides for radio muting during a phone conversation. Please connect the white Molex connector with connection 1.

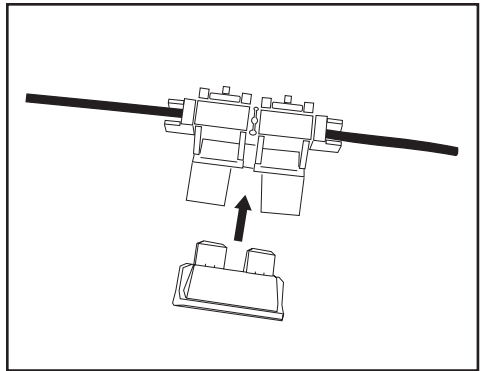
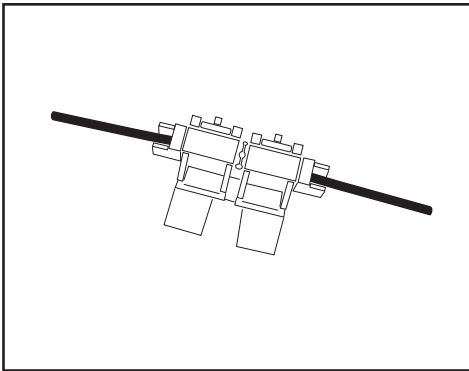
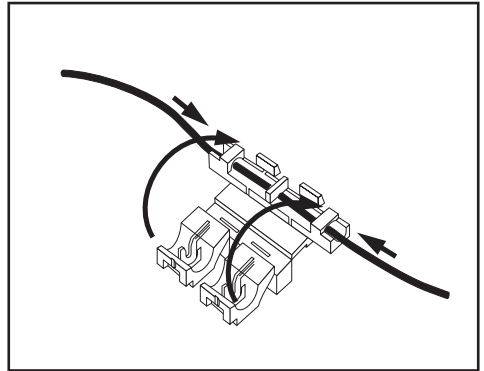
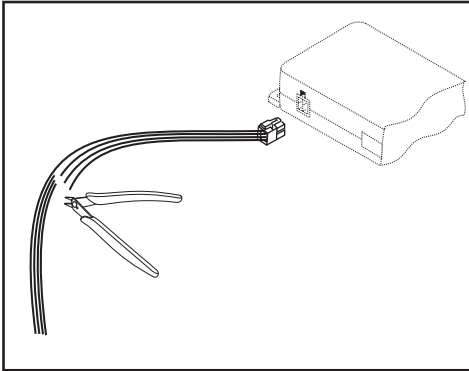
Attention:

- ▶ If you also connect the blue cable to clamp 30 (steady positive), the HFCK will be permanently supplied with power. If the vehicle is not running for a longer period, this could lead to a discharge of the car battery.
- ▶ If you deviate from the specified connection descriptions it may be the case that certain functions on the HFCK (e.g. the on-call duty) will not function correctly.



Installation instructions for the fuses

Please cut through the red, the black and the blue cable by means of a wire cutter or scissors. Now insert the two endings of the red cable resulting from the cut into one of the binders, then close it. If you hear two clicking noises, the clamp snapped in properly. Now insert one of the fuses and then repeat the procedure with the other cables.



Version 2:

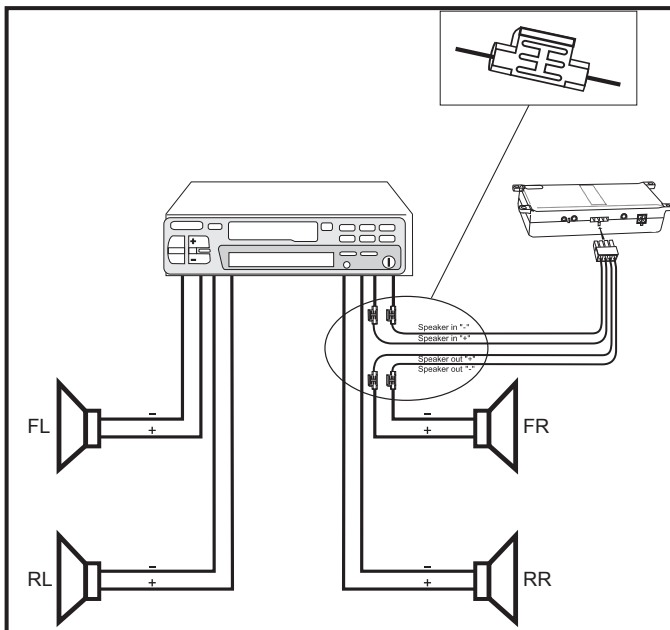
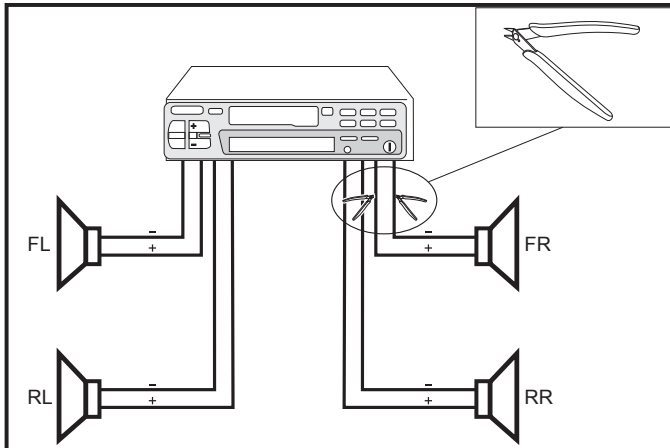
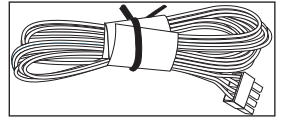
Refer to separate chapter: Installation of the audio switch box AC 5120

Connection 2 - System 9 Socket

Socket for connection of the basePlate suitable for the CC 9060/CC 9056 from the System 9.

Connection 3 - Voice output of the hands-free car kit Version 1:

The cable provided serves the purpose of transferring the voice output to one of the loudspeakers in the car. In the best case scenario, this speaker should be on the passenger side of the vehicle in order to provide sufficient distance from the microphone and to prevent possible echoes from occurring. The jack plug remains unused during the use of the internal loudspeaker switch box.



Version 2:

Refer to separate chapter: Installation of the audio switch box AC 5120

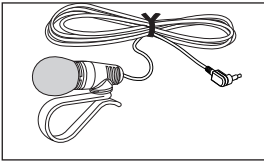
Connection 4 - Speaker output

Version 1:

This jack remains unused. Alternatively, if the integrated audio switch box is not used, it is possible to plug the 3.5 mm jack plug from the external BURY speaker in here (available as an accessory).

Version 2:

Refer to separate chapter: Installation of the audio switch box AC 5120

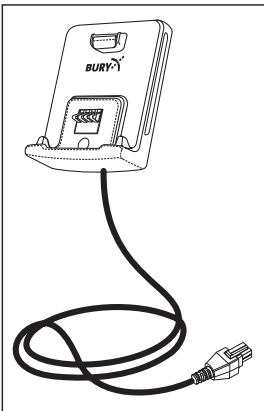


Connection 5 - Microphone input

This is where you plug in the microphone jack. After connection 4 has already been occupied use the rider. This ensures that neither of the jacks is able to loosen as a result of vibrations.

Connection 6 - LINE-OUT

Stereo music is output at connection 6. Here you can connect the AUX-In input of your radio (if existent) via adapters available at local retailers. For the connection to the hands-free car kit, the adapter must have a 3.5 mm stereo jack. Depending on the car radio, the other end must be selected otherwise. If your radio does not have an AUX-In, you can use the car CD/MP3 adapter from the BURY accessories programme to enable the reproduction of music via your radio.



Connection 7 - Monitor (Multifunction display)

Please plug the small Molex plug, which comes from the holder of the monitor, into this connection. When installed correctly, the small plastic catch above the plug clicks into place automatically. This prevents the connection from falling out due to vibrations.

6. Installation of the audio switchbox AC 5120

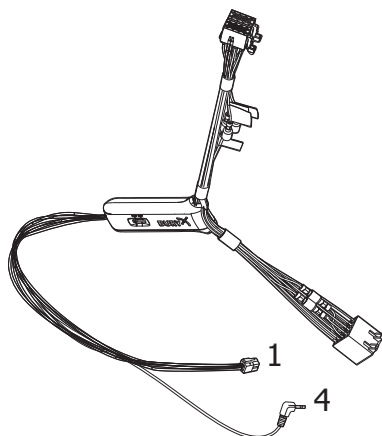
With the AC 5120 speaker switchbox, you get the possibility of being able to mute the feedback of your car radio / CD player etc. and to transfer the voice output of your conversation partner during a telephone call to your vehicle's speakers. This means that the installation of additional speakers isn't required. If your radio has a mute function, then the vehicle speakers are turned onto mute using the radio. If your car radio doesn't have this function, then the signals will be suppressed by the speaker switchbox. You can use the AC 5120 through the connections that your BURY hands free car kit offers, which guarantee voltage supply via molex plugs and also have a speaker output.

If you want to make a telephone call in the hands-free mode, your car radio will be automatically switched on to mute. The Audio switchbox now uses one or two loudspeakers in your car for the telephone conversation, even if your radio is switched off. This function will be automatically activated after the installation of the unit, there are no subsequent manual settings required.

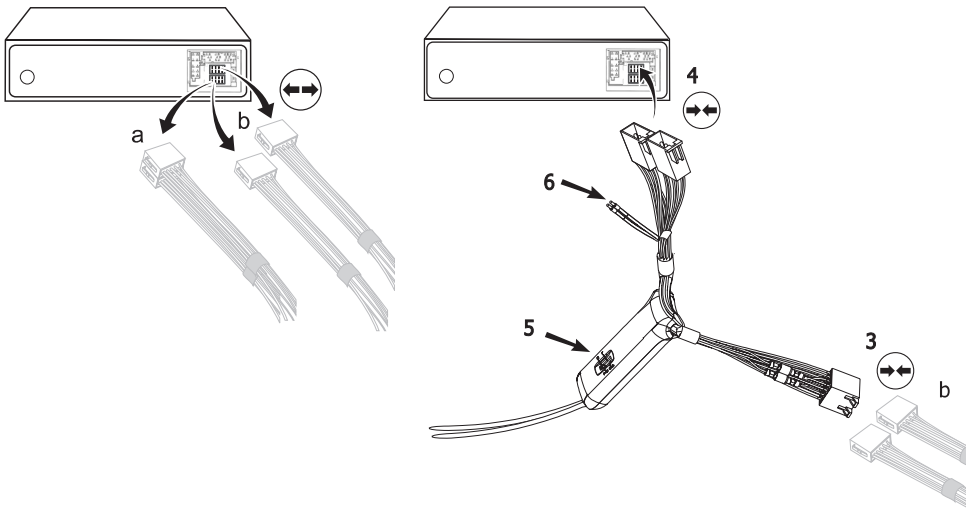
Some mobile phones do not support a radio mute function. Please read your telephone user manual for more details. You can find out more detailed information at your specialist retailer, in the internet under www.bury.com, or over our telephone hotline.

After checking that all the cable lengths are sufficient, decide where you are able to attach the Audio switchbox. Now secure the Audio switchbox so that it isn't able to flap about and/or rattle against other parts of your vehicle.

Connect the white power out cable connector (1) of your Audio switchbox to the power supply socket of your hands-free kit. Now connect the audio switchbox plug (3) to the hands-free car kit. (The other, smaller box is used by the plug for the microphone.)



Now disconnect the (a) and/or the (b) loudspeaker connector from the speaker socket on the radio at the back. Connect this connector with the suitable socket (3) on the AC 5120. Now connect the plug (4) with the radio.

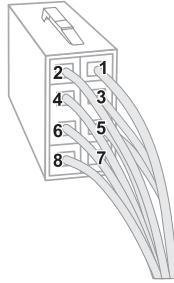


Depending on the switcher position (5), the voice of your conversation partner will be fed back through either the front right speaker, the front left speaker, or through both of the front loudspeakers. The 'OFF' position is to be selected if you connect the switchbox to the radio using the 'Phone-IN' cable (6).

The two 'Phone-In' cables are marked accordingly and must be plugged into the appropriate connections on the radio (blue, green or yellow). In this regard, please refer to the instructions concerning the connection configuration of your car radio in your car radio handbook. In lots of radios, the volume level (feedback of your conversation partner) can be controlled via the phone input and the selection of the loudspeaker.

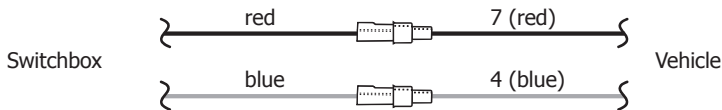
Different connections of the ISO plug on the radio

The layout of the pins on the ISO plug used in a car depends on the type of car. Before using the switch box, you should make sure that the connections are correct in order to prevent possible damage to the device.



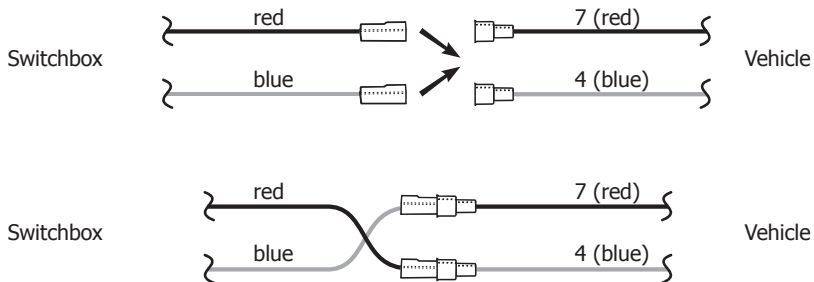
Configuration I

If the assignment of pin 7 of the ISO plug is connected to the DC Power Supply, and pin 4 is connected to the ignition, you should check if the connection looks like the connection presented on the drawing below.

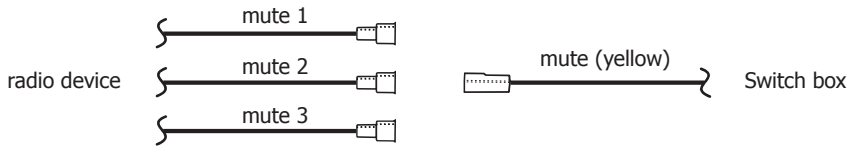


Configuration II

If the assignment of pin 7 of the ISO plug is connected to the ignition, and pin 4 is connected to the DC power supply, the connection of the cables should look like the connection presented on the drawing below.



In the operating manual of the radio device, you can find the pin assignment for the "mute" signal. This signal can occur on one of three cables marked with "mute1", "mute2", or "mute3".



Connect the yellow "mute" cable to the switch box using the correct cable from the car radio: "mute 1", "mute 2" or "mute3".

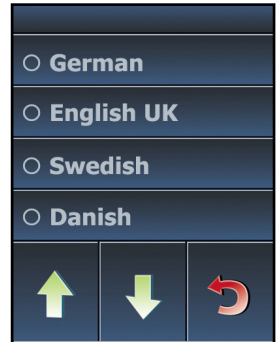
Attention:

► The positive wires and ignition wires are protected in the casing of the switch box with 3A fuses.

7. Using the hands-free car kit for the first time

After the power supply of the hands free car kit (HFCK) is successfully connected, the HFCK is activated when you have started the vehicle. After this, you have to select the menu language if several are available for you to select. Regional differences may occur in this context. If the HFCK is only equipped with one language then this should load automatically.

You can change the menu language again by selecting the **More** touch-screen field, then selecting the **Settings** in the **Head menu**, and then changing the **Language** in the **Device** menu item.



Afterwards you will reach the head menu. Different symbols will appear in the top row - before and after you have connected a phone. These symbols have following meaning:

The loading status of the battery of the mobile telephone

Missed calls / New messages

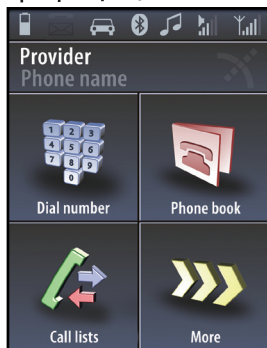
Bluetooth® profile / Notice of activated Multipoint function

Active Bluetooth connection

Mobile telephone in the A2DP mode

Volume

Signal strength of the mobile telephone network

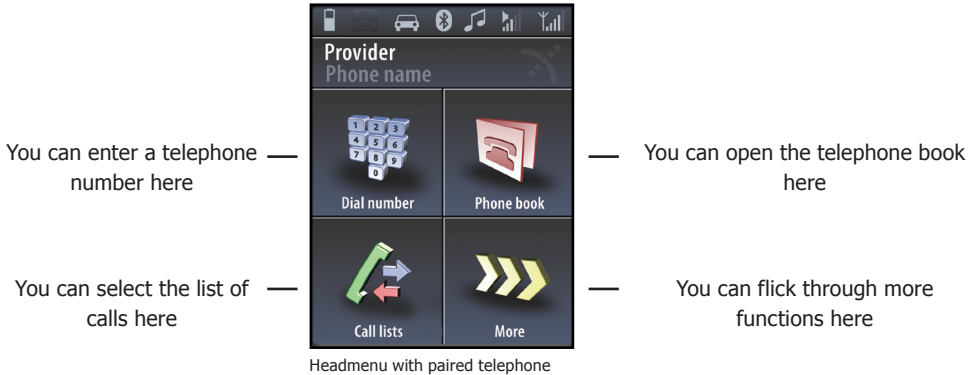


Headmenu with paired telephone

8. Handling via Touch screen

The functions of the HFCK can be called via the touchscreen. Every available command is presented as text (sometimes with supporting graphics) on the display.

The operation can be carried out via possibly existing arrow keys. With the **red symbols** you can cancel an action or go a step back. If you press long you will return to the main menu. With the **green symbols** you can confirm actions.



Residues of sweat or hand cream on your fingertips can render the display dirty over time. Then the readability of the information on the display and its input functionality will deteriorate. Therefore, please be sure to clean the display as necessary using a damp lint free cloth. Please do not use any detergent.

9. Establishing a *Bluetooth* connection

If you wish to establish a *Bluetooth* connection between your mobile and the HFCK for the first time, you have to activate the *Bluetooth* function of your mobile phone and search for *Bluetooth* devices. In this case, search for a device labelled „CC 9056...“. If several devices were identified, please select the HFCK and enter the **PIN number „1234“**. The *Bluetooth* connection (pairing) will then be established between your mobile phone and the HFCK. It is possible that you will also have to click on 'connect' or 'allow data transfer' on your mobile phone if you want to be able to make a connection.

With a connection which has successfully been made, the name of the coupled mobile telephone and of the provider will be shown and the data from the telephone book (SIM card) and the address book (storage of the telephone) are transmitted to the HFCK. Depending on the amount of stored data, this can take a few seconds. If the synchronisation of the phone book is interrupted, e.g. though an incoming call, it is possible that all entries will not be transmitted. If this happens, the phone book should once again be manually synchronised.

If it is not possible to establish a connection, please check and update the software release (firmware) of your mobile phone or of the HFCK. You will find an overview dealing with this subject on the Internet at www.bury.com.

Note:

► In the internet you can find an overview with a large number of mobile telephones which have been tested with this hands-free car kit. Please note, however, the use of firmware which deviates from the list and is installed on a listed mobile telephone can lead to the fact that certain displays and functions are no longer possible or only possible to a limited extent.

In addition it is possible that you must delete all devices connected to your mobile phone first in order to enable a correct identification of the HFCK and the establishment of a connection. If you have queries regarding the menu navigation, functions and operation of your mobile phone, please refer to the operating guidelines of your mobile phone. Depending on the manufacturer and type, this can differ considerably between phones.

Note:

► If the rechargeable battery of the mobile phone is low, it is sometimes not possible to establish a Bluetooth connection.

The HFCK has a memory for the storage of the identification of up to 10 mobile phones. In case an eleventh mobile phone is connected, the oldest entry in the HFCK memory will be cancelled.

If you wish to cancel a Bluetooth connection, you can either disconnect it conveniently at the HFCK or at your mobile phone. In addition, the connection is disconnected, if you move too far away from the vehicle while taking your mobile phone with you and thus leave the reception radius of the HFCK.

Please note that the capacity of your mobile phone's storage battery can quickly decrease when the Bluetooth function is active. If you do not want to use the Bluetooth function anymore, e.g. if you leave the vehicle for a longer period, it is recommended to deactivate this function.

10. Menu navigation

Here you will find all menus which are necessary for the operation and configuration of the system.

The menu items which are used most frequently are displayed on the main screen via text and symbols, all of the subsequent ones are displayed in text and table form. The first three functions change as soon as a mobile phone connects with the HFCK in hands-free mode.

If no mobile phone is connected:

Day/Night mode
Auto connect
Settings

If a mobile phone is connected:

Dial number
Phone book
Call lists

In the following the individual menu points will be explained.

Dial number

In this menu you can comfortably enter the telephone number you wish to dial using the touch screen. The fields 'star/pause' and 'zero/plus' are dual-function. To initialise the second function, press down on the corresponding field for 2 seconds. The symbols star, pause, plus and the hash symbol are used, for instance, when you access your mailbox or when entering special telephone numbers. If you want to correct the telephone number please press field „C“. In order to make the telephone call, the green handset symbol must be pressed once.

Phonebook

Since your phonebook is scanned with the first coupling of your mobile phone with the system, it is immediately available to you and is stored until you delete the mobile phone from the phone list. The telephone book data can of course only be seen or changed by you.

Note:

► Depending on the type of mobile phone, it is possible that the order of the first names and surnames may have swapped around after the telephone book has been transferred.

Depending on the settings / contacts in the mobile telephone, you will be shown by the HFCK either the SIM card contacts or the telephone contacts or both.

The entries are in alphabetical order. With a large number of contacts, searching through the telephone book using the arrow keys is time consuming. This is where the rapid search function, which is accessed using the arrow down (ABC) key, is useful. To use this function, please press down on this symbol for 2 seconds.

If your contacts are stored in the telephone's memory, then depending on the type of mobile phone, you can allocate four or more telephone numbers to a single contact. The terms are not standard and may have different designations depending on the manufacturer of the mobile phone, or can be set by you yourself*:

Home, Mobile, Work, General.

* This function depends on your mobile phone.

Some mobile phones support these categories only partly, however, or not at all. To nevertheless display the telephone numbers, unknown entries are listed within your contacts using the <Number> category. You get a maximum of just one number from the SIM card, however (this is always designated with SIM), and four numbers from the telephone memory. If categories are only partly supported, the listing can subsequently be mixed. Example:

Private

+44...

Mobile

+44...

Number 1

+44...

Number 2

+44...

SIM

+44...

Call lists

Here in a chronologic sequence all calls are listed which have been made, missed or accepted. The name of the caller / the person being called and the telephone number are displayed. If it is not possible to allocate a contact from the telephone book to the telephone number, the number alone appears without additional information. The navigation within the lists is carried out analogue to that of the phonebook. Choose an entry to establish a phone call.

Redial

The number which was last selected can be selected once again.

Music

If your mobile telephone possesses the *Bluetooth* profile A2DP, you can play music (e.g. MP3 files) in stereo quality via the HFCK. It is important to play the music title selected respectively on the HFCK via the function ‚play via...’. As the menu navigation of the manufacturers of mobile telephones differs considerably, the designation of the selection ‚...Bluetooth-stereo-headset’ may vary. If you establish this setting, the music is played via the sound system connected to the HFCK.

Note:

▶ A corresponding adaptor cable needs to be connected to the A2DP connection on the HFCK and to the radio. This is available from specialist retailers.

If you activate the music function via the touch screen, an interface appears in the display with which you can change the volume level and either play back, stop or skip music tracks.

The following functions are available in the music player:

- |◀◀ Back (title by title)
- |▶▶ Skip (title by title)
- || Pause
- ▶ Play
- Stop

If you receive a call, the playback of the music automatically pauses. The music player fades out and you are able to see the screen with the incoming call.

Certain types of telephone also support the transfer of information such as the title, artist and album name, so these can be shown on the display under the status bar.

Messages

Using this function, you are able to show text messages or emails which are saved in the mail box of your mobile phone via the HFCK. The HFCK is able to take and save up to 100 SMS messages and 30 emails from your phone’s memory and SIM card. If you receive additional SMS or email messages, then these replace the oldest entries in the HFCK. If it isn’t possible for all SMS or email messages to be imported then you will received an information message.

Please note:

- ▶ The email reading function only supports BlackBerry mobile phones.
- ▶ The BURY Email Patch Reader has to have been installed and successfully set up on your BlackBerry mobile phone. Both the software and additional information are available in the internet at www.bury.com.

The text messages and emails will be displayed in the overview in the format with which you are familiar from the call lists. The name of the sender is shown in the upper line and underneath this, the date and time of when the message was received by your mobile phone.

With emails, the subject line is separated from the message text. If the message is read out, the HFCK automatically turns to the next page if the end of the page has been reached.

You can access any SMS or email messages which have arrived subsequent to connecting the HFCK with your telephone in the menus **New text messages** or **New emails**. The envelope symbol appears in the status bar of the main menu for your information.

If you want you can call the sender back.

Settings

In this menu point, you can configure the HFCK through four further submenus. These are **Bluetooth**, **Audio**, **Display** and **Device**.

Bluetooth

In the **Phone list**, the telephones are listed which have already been successfully connected with the HFCK via Bluetooth. The list is able to hold a maximum of ten telephones. If an additional telephone is connected then the oldest entry is deleted. The car and clef symbols after the name of the telephone show the Bluetooth profile with which the corresponding mobile phone has previously been connected.

Select a telephone from the list. Here, every telephone can be connected, disconnected, deleted or set as the standard. The standard telephone will always be sought as the first telephone if the **automatic connection (Auto connect** – one menu level higher) has been activated and it is always at the top of the list of telephones. In addition to this, with an activated Multipoint function, this is always the primary telephone. If the mobile phone also supports music play back via AD2P, this Bluetooth profile can also be connected or disconnected in addition to the hands-free mode. This means it is possible to play back music from a telephone but to take phone calls via the HFCK at the same time.

Using the **Number options** menu item, you are able to select as to whether the HFCK sends the details of your own number along during an outgoing telephone call or not. Here, you have a choice of three options: **Phone setting**, **Show number** and **Hide number**.

The telephone settings are set as standard. The display of your telephone number to your conversational partner depends on the settings of the call number display and/or suppression in the mobile phone and the storage of the telephone numbers (with the additions *31# to show numbers or #31# to hide numbers). If you select one of the two other entries in the HFCK the settings in your mobile phone will no longer be taken into account. Your telephone number will then consistently either be hidden or sent.

In the **DSP** menu item you control the settings for every telephone individually as regards the processing of the audio signals. The HFCK has an integrated digital signal processor (DSP). This serves the functions of voice recognition and voice synthesis and is activated as standard. Together with the suppression of background noise and echoes, the DSP guarantees optimum conversational sound quality for most mobile phones.

Note:

► We recommend that you keep this setting.

If the conversational sound quality should fall, however, you can turn off the suppression of background noise and echoes and leave the DSP devices activated without this function running. Using the first selection you can also completely deactivate the DSP. If this setting also leads to no improvement, you can activate the DSP of the telephone.

With the **Clear list** command it is possible to delete the full telephone list. You are able to assign an individual **Pin code** for the Bluetooth connection in the next menu item. Your own code must be at least four figures long – with a maximum of eight being allowed.

The last menu item in the Bluetooth menu is the **Multipoint** function. This function can only be activated if at least two mobile phone signatures are included in the list of telephones. Otherwise the function is not available and the selection field during operation via the Touch screen is inactive.

Using the Multipoint function, you can operate two mobile telephones on the HFCK in hands-free mode at the same time. The primary mobile phone takes priority, which means that only its telephone books, call lists, voice memos, SMS and possible emails are loaded and ready in the memory of the HFCK. This is similar to the situation as though only one mobile phone were connected with the HFCK. If a call is received on the secondary mobile phone, this call will also be handled via the HFCK. The display informs you accordingly as to which mobile is receiving the call (the first / second telephone).

If a call is received by both mobile phones at the same time, preference is given to the primary mobile phone. You will be displayed the incoming call on the other mobile after accepting or declining the first call. You are then able to end the first call at short notice and to also decline the second call (pressing to the right of the red receiver both times), or to end the first call and to accept the second call directly (press the symbol on the left). Holding the first call isn't possible, as the calls are not being made on the same telephone number. The conference mode which is described in the instructions below is not possible between the two mobile phones.

If two or more mobile phone signatures are saved and the Multipoint function is activated, then the mobile phones will be sought and connected in the order in which they are listed in the telephones list – position 1 and position 2. In addition to the first telephone that is connected, you will then also be shown the second telephone in the main menu.

If a number of signatures from different mobile phones have been saved (from several different drivers) it may be the case that their order does not suit your requirements. To be able to define both telephones and their order for the multipoint function, you can set one mobile phone as standard (as telephone 1) and another mobile phone as telephone 2. If you do not set the second telephone then the HFCK will complete a full search of the telephones list twice over. If the HFCK does not find a second active telephone (because the Bluetooth function has not been activated, for instance), you must either connect the second telephone manually via the telephone list, or deactivate the multipoint function and then activate it again.

Audio

In this area you have the possibility to change the audio settings of the HFCK.

The HFCK is sold with four **Ringtones** from which you can respectively select one. If you would like to use your mobile phone's ring tone, please select the first entry in the menu. Please remember, however, that not every mobile phone can transfer its ring tone to the HFCK.

It is possible to set the level of the selected ringtone in the sub item **Volume**.

For some radios it may cause problems if the HFCK starts with ringtone response immediately after the mute signal. Some radios need some time for a corresponding activation and reaction to the mute signal. If, for instance, you have activated automatic call answering after two rings, you could find yourself in a telephone call with someone without having heard the telephone ringing. To avoid this effect, you can enter a maximum delay of up to three seconds in the **Mute delay** menu item. It is only after this time has elapsed that the HFCK begins with the acoustic feedback.

Certain mobile telephones offer the possibility of being able to install and operate a navigation solution. On many mobile phones, the suggested directions are only transferred via the Bluetooth A2DP profile. If you have not connected a suitable cable to the LINE-OUT output (A2DP) of the HFCK and to the radio however, you are not able to hear these instructions.

With the **External Audio** menu item, it is possible to place these instructions on the PHONE-OUT output (LSP) of the HFCK. This means that the direction instructions are read out in monotone and the radio is also muted. The HFCK takes priority with its functions, however, which means that if the voice control is active or in the event of an incoming call, any direction instructions that are being issued at that time will be muted.

Please note:

► If the function is activated it is not possible to listen to music via A2DP via the LINE-OUT output.

Display

This menu point makes it possible for you to adjust the display in a range of different ways.

In order to avoid the blinding effect especially when driving at night, you can activate the Sleep mode. This causes the display to shut off after either 15, 30 or 60 seconds. With an incoming call, the HFCK activates the display automatically.

In the **Illumination** menu item you can change the intensity of the light diodes in the display.

To be able to read the contents of the display optimally during different light conditions, in the next menu item, **Day/Night mode**, you are able to invert the display.

In the **Colour theme** menu item you can adapt the background colour of the display to the colour schemes of the display in your vehicle. Several different possibilities are available.

This product was produced in compliance with the strictest quality criteria. Still in the course of time it can occur that the calibration of the display changes (e.g. if touch screen commands are no longer carried out correctly). Then you have the possibility of newly calibrating the display. If you select the **Calibration** menu, then you will firstly be asked a security question, and a cross will then appear on the display which you should touch. Please repeat this procedure 4x, then the HFCK is newly calibrated and jumps back to the head menu. Please only carry out this process when the vehicle is standing still.

Device

In this menu item, you can make the settings concerning the **answering of calls**, the **menu languages**, the **phone book options**, for the **system** itself, and for the **on-call duty**.

With the **Call answering** function you can specify as to whether you want to answer an incoming call manually via the touchscreen or automatically. If you select automatic call answering, the call will be answered automatically after two rings. You can then decide whether to accept or decline the call.

You have to set the language when you use the device for the first time and after updating the firmware or loading factory settings. Select the **Language** of your choice from the list.

The **Phone book options** menu item can only be selected if a mobile phone is connected with the HFCK. In this option, you are able to **invert** the **names** of the entries in your telephone book in the HFCK. For example: Bloggs Joe becomes Joe Bloggs.

Note:

► Depending on the telephone, it may also be the case that entries are sorted differently. For this reason, some start with the first name and others with the surname. In such a case, this function would not be any help. The maintenance of the data in your telephone, possibly via a PC with the corresponding communications software, can rectify this.

You can also **sync** the **phone book** manually here once more, if, for example, you saved a new telephone number / contact in your mobile phone during a Bluetooth with the HFCK.

If the telephone book on your mobile phone has only been partially loaded, you are able to send the data from your telephone book to the HFCK via the *Bluetooth OPP* protocol. The requirement for this is that the signature of the mobile phone has already been saved in the telephones list and your mobile telephone also has this option. The telephone can then be connected with the HFCK or not, independently of this.

Open the telephone or address book on your mobile telephone. Next, select a function with which you are able to send all of the contacts to the HFCK via Bluetooth. The designations can differ depending on the mobile phone. A message window appears on the display of the HFCK. You are able to completely decline the received data, add it to the telephone book on the HFCK, or completely replace the HFCK telephone book data with the new data. If you do not select any of the three options within 10 seconds, the action is cancelled.

If data is added or replaced, the automatic synchronisation of the HFCK telephone book is deactivated. You are also no longer able to load the telephone book manually. Only the deletion of the mobile phone from the list of telephones and the renewed saving of the signature make the automatic synchronisation for your mobile phone possible again.

Under the **System** heading, you receive information about the software and hardware installed in the HFCK under **Version info**. If a new item of firmware should become available for the HFCK, then under the menu item **Software update** and using the BURY Update Suite, you are able to update the HFCK.

Note:

- ▶ Do not interrupt the power supply of the HFCK during an update.
- ▶ We recommend to let the firmware update be carried out by a BURY specialist retailer. Details of your nearest specialist retailer are provided at www.bury.com.

If you have changed certain settings but the HFCK doesn't work in the way in which you wanted it to, then you can reset the HFCK to the settings which were stored in it when you received it using the **Factory setting** function.

Using the **On-call duty** menu item, you are able to activate the HFCK's internal standby switch. When activated for the first time, this is set at 5 minutes. It can be changed to 10 or 15 minutes, however.

On-call duty is useful if you stay in your vehicle after reaching your destination or switch the engine off when waiting at level crossing, for instance. The hands-free car kit remains active for a set period of time, and you can still conduct telephone conversations via the HFCK without having to look for your mobile phone. In the event of no active phone call, the HFCK will then switch off automatically after the set time has elapsed.

Memo

If you want to make a note of something important either after or during a trip or maybe during a telephone call, it is often the case that you don't have anything to write with at hand or the traffic situation prevents you from doing so. With this function you are able to save information that is important to you without posing a risk to yourself or others.

A voice memo can be saved directly from the main menu or during a telephone call. **Private** and **general** voice memos are differentiated between.

You can only record a **private** voice memo if you have connected a mobile phone with the HFCK via *Bluetooth* in the hands-free mode. The memos are mobile phone specific and can only be initialised or deleted if the corresponding mobile phone is connected to the HFCK. This means that other drivers with other mobile phones aren't able to play back these memos, and are only able to record ones for themselves (and their mobile phones).

It is possible to save up to 10 voice memos per mobile phone signature. The column that moves from left to right during the recording indicates the remaining recording time that is available. The current recording time is also displayed in the same way. The maximum possible length of the memos totals two minutes. If the recording time has run out, this will be displayed accordingly. To be able to record additional memos, you then have to delete the old ones.

In the list, the memos are numerated from 1 to 10. Underneath this, you can see the recording time that this memo takes up. Any memo that is made during a telephone call is always a private memo.

Note:

► When recording telephone calls, please take the privacy of your conversational partner into consideration and tell them that you would like to record parts of the telephone call.

As soon as the mobile telephone is deleted from the list of telephones, the private voice memos are also deleted.

Examples of private memos are addresses, telephone numbers or internet sites which you want to make a note of for later during your journey or during telephone calls.

You can create a **global** voice memo without having a mobile telephone connected to the HFCK. This means that every driver is able to record, listen to or delete a memo irrespective of whether they have a phone or not. The maximum recording time totals two minutes. If the memo is not listened to before the HFCK is switched off, then after it is switched on, a message appears via a pop-up stating that a voice memo which has not yet been listened to is available. If the Audio Feedback is activated this message is also read out.

If a general voice memo is already available and you would like to record a different one, you will be asked whether you would like to overwrite the old memo.

General voice memos are especially suited to vehicles which have continually alternating drivers, e.g. delivery vehicles. This means that the next driver can be instructed accordingly if someone forgot to refuel or the vehicle has a flat tyre, preventing it from being driven.

11. Accepting, making, ending calls

You will be alerted of an incoming call via info on the display and the ring tone. Your vehicle's sound system will switch onto mute. If the caller sends their telephone number with the call, this will be shown in the display unless the number is saved in your phone. If the caller hides their number, this will be indicated in the display.

In the standard setting, you can only accept or decline an incoming call via the touchscreen. If you would like to accept the call, simply press down on the symbol on the left. If you don't want to accept the call, please press the symbol on the right.

During the call, you have the possibility to regulate the volume of the voice of your discussion partner through the **minus(-)** or **plus(+)** field.

By pressing down the yellow arrows you reach a sub menu. Here, you are able to select a **Keypad**, with which you are able to send DTMF tones (e.g. to check on your mailbox).

The **Private mode** is an additional sub menu item. If you activate this, the telephone call is transferred by the HFCK to your mobile phone and it is no longer possible to hear the voice output of your conversational partner over the car's loudspeakers.

Note:

► Please comply with the country-specific laws concerning in-car telephone calls.

With the sub menu item **Mute**, the microphone in your vehicle is muted. You are then able to communicate with a passenger, for instance, without the person who is calling you being able to hear you. If you would like to activate this function, you should inform the person with whom you are telephoning accordingly as they won't be able to hear you at all.

The next function is the telephone call **Hold** function. In contrast to the muting, your conversational partner receives an acoustic signal that serves as a wait signal. In contrast to the possibilities offered by a mobile phone, you are not able to initialise an outgoing call via the HFCK as long as another one is being held.

With the **Memo** sub menu, you are given the option of being able to record part of a telephone call. Please refer to the relevant part of the operating instructions for a detailed description.

Under the final sub menu in the listing, **Reject active**, you are able to end a telephone call. This has the same function as pressing down on the red hand during a telephone call.

If a telephone conversation is active when you switch off your vehicle's engine, the hands-free car kit will remain running until the call has been ended.

12. Transferring Calls

Transferring calls is to be understood as being the acceptance of a call during a telephone call and alternating between two conversations.

Note:

► Please remember that your range of functions can vary depending on the type of mobile phone. Please find the relevant details in the instructions manual for your mobile phone.

If you receive another call during an active telephone conversation, you will be informed of it via an acoustic signal. You now have the option of either rejecting the call (the red symbol) or accepting the call (the green symbol). If you accept the call your previous call will be put on **hold**. Your conversational partner will be indicated with ☑.

You now have the following options:

1. Using **swap** you can switch between your different callers.
2. You can **reject the active** call.
3. You can **reject the held** call.
4. You can activate the **private mode**.
5. You can activate the **mute**.
6. You can activate the **keypad**.

13. Conference Mode

The hands-free car kit provides you with the possibility of merging up to seven conversations to create a conference. This means that all participants can talk to each other at the same time.

If you receive a further call during an active telephone conversation, you can merge both conversations into a conference. To this end select the **merge** command (**conference** is shown in the display).

During a conference, you have the following options:

1. You can **reject the active call**. (the conference ends)
2. You can activate the **private mode**.
3. You can activate the **mute**.
4. You can activate the **keypad**.

If you receive a further call during a conference, you can add this to the conference using the **add to conference** command or switch between the conference and conversational partner using the swap command.

Note:

► The current mobile telephone networks only permit the use of a maximum of two lines.

If you are using both lines and you receive a further call, you have the following options:



Reject call



Accept call

->Your active connection will be ended and replaced by the new connection.

14. Service

In case of general or technical queries, suggestions and comments, please do not hesitate to contact our team at any time. Suggestions and feedback are always welcomed:

Administration:

BURY GmbH & Co. KG
Robert-Koch-Straße 1-7
D-32584 Löhne
GERMANY

Producer:

BURY Spółka z o.o.
ul. Wojska Polskiego 4
39-300 MIELEC
POLAND

Hotline: +49(0)180 5 - 842 468*

Faxline: +49(0)180 5 - 842 329*

* 0.14 €/min. Deutsche Telekom AG landline,

calls made from mobile phones cost a maximum of 0.42 €/min., calls made from german mobile phones cost a maximum of 0.42 €/min.

The costs of international telephone calls which are made from abroad can vary.

E-Mail: hotline@bury.com

Warranty / Service desk:

The duration of the warranty for the components of this product totals two years subsequent to the date of sale to the end customer. Any warranty claims you may have as an end customer are to be asserted towards your contractual partner. If the corresponding contractual partner is not able to rectify a corresponding fault, please exercise your rights of purchase. If subsequent to agreement with your contractual partner the product is to be sent directly to the manufacturer, then please send it, along with a detailed description of the fault in the German or English language and a copy of the proof of purchase, directly to our service team:

BURY GmbH & Co. KG

Im Hause DPD Depot 103
Robinienweg
D-03222 Lübbenau
GERMANY

Information on the disposal of electrical goods in the EU

The crossed out wheellie bin symbol means that electrical and electronic products, batteries and accumulators must be disposed of separately in the European Union. Please do not dispose of any such products in your normal household waste. As the owner of a product of this sort you are legally obliged to dispose of it at your local dumping site or recycling centre, where you are able to leave your waste electrical goods free of charge.

15. Appropriate use of this system

This hands-free car kit is only intended for use with *Bluetooth* mobile telephones and music playback systems (via A2DP) in motor vehicles. When using this system, please comply with the regulations and laws specific to the country in which you are driving and the instructions provided in the guidebook for the mobile telephone that you are using.

16. Approvals and declaration of conformity

Purchase and production as well as service and sales at BURY are subject to tough quality and environmental management conditions according to ISO 9001 and ISO 14001. The telematic unit has



the CE approval pursuant to the R&TTE 1999/5/EC regulation



e1 type approval pursuant to the 72/245/EEC (2006/28/EC) regulation
'Electro-magnetic compatibility in vehicles'

You can request a conformity declaration from the manufacturer of this product by post under the manufacturer's address which is stated above, or by writing to the following email address:
ce_conformance@bury.com

Please provide your email request in either English or German.

Version: 03/2010

25.1215.0-01-050310

Subject to change. Errors and omissions excepted.

The *Bluetooth*[®] word brand and the *Bluetooth*[®] logos are owned by Bluetooth SIG, Inc.

All use of these brands by BURY Technologies takes place within the scope of the corresponding licence. All rights reserved.

All of the other stated brands are owned by their corresponding owner.