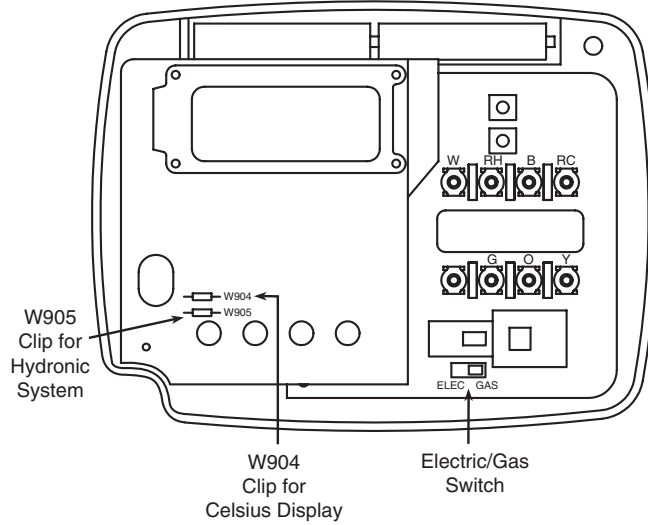
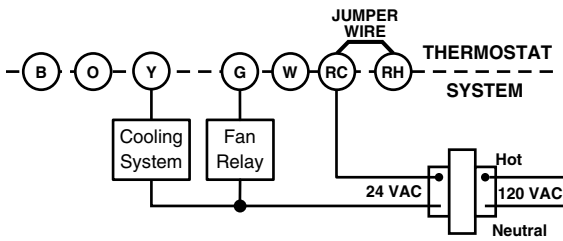


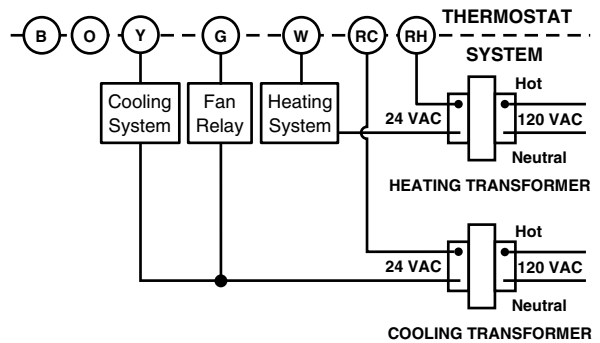
CONFIGURATION



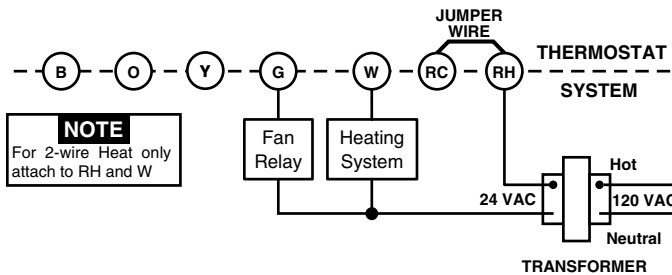
TYPICAL WIRING DIAGRAMS



Cool only, 3-wire, single transformer systems

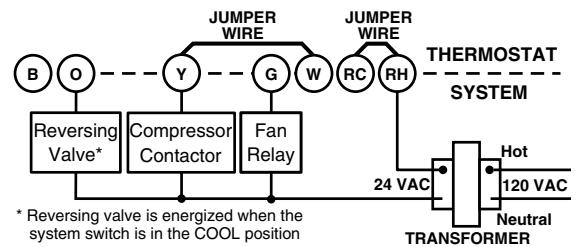


Heat/cool, 5-wire, two-transformer systems



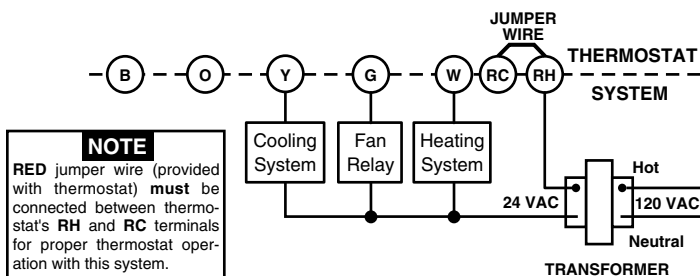
NOTE
For 2-wire Heat only
attach to RH and W

Heat only, 3-wire, single transformer systems



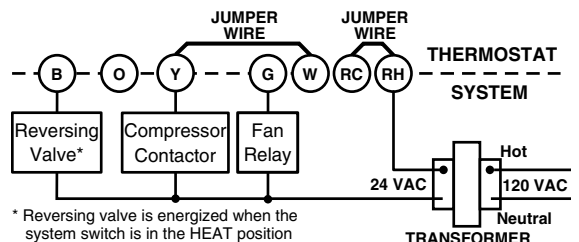
* Reversing valve is energized when the system switch is in the COOL position

Heat pump with cool active reversing valve



NOTE
RED jumper wire (provided with thermostat) must be connected between thermostat's RH and RC terminals for proper thermostat operation with this system.

Heat/cool, 4-wire, single transformer systems



* Reversing valve is energized when the system switch is in the HEAT position

Heat pump with heat active reversing valve

TECHNICAL HELP