

Protecting your Screen:

To ensure long lasting viewing enjoyment, always keep the screen rolled up when not in use.

Examine both the front and back surfaces before retracting into the case to make sure it is free of dust, dirt, insects or other foreign matter.

Use a soft brush or cloth to lightly remove any foreign particles.

CAUTION: Do not let go of the screen when it is retracting. You can cause damage to the screen or casing by retracting too quickly.

Cleaning your Screen:

NEVER attempt to use any solvents, chemicals or abrasive cleaners on the screen surface.

Use a mild detergent with warm water to remove any marks on the surface or screen case. Always immediately dry the screen with a soft cloth or towel after cleaning.

Size	Image (mm)	Format	Case Length (mm)	Weight (kg)
60"	1220 x 910	4:3	1380	4.5
80"	1630 x 1220	4:3	1790	5.4

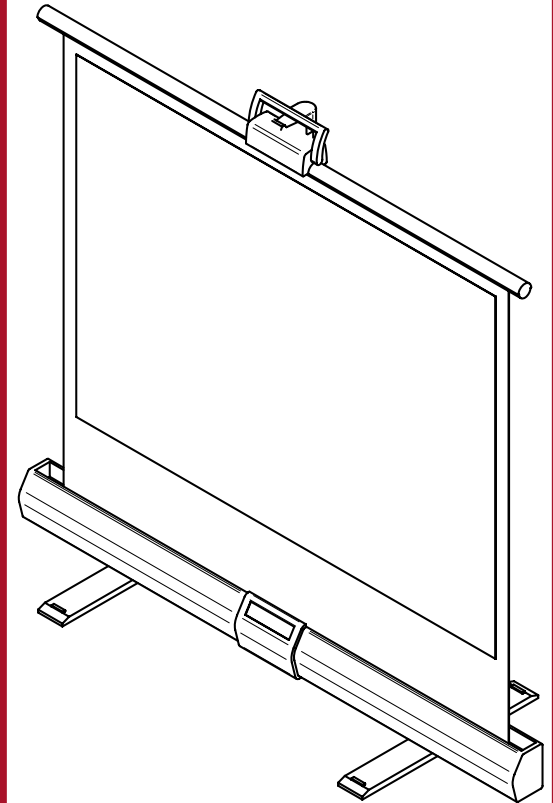
gv by **HERMA**
GRANDVIEW®

Imported and Distributed in Australia by
Herma Technologies
Factory 4A, 6 Albert St
Preston, VIC 3072

For more information please go to
www.grandviewscreens.com.au
or call 1300 730 025

Oct 2005 v1.0

gv by **HERMA**
GRANDVIEW®



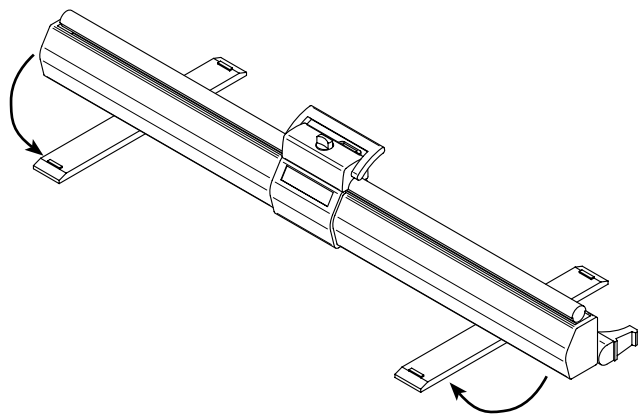
**Grandview Portable Screen
User's Manual**

To the Owner:

Congratulations on purchasing a Grandview Portable Screen, designed to produce the sharpest, most pleasing pictures with maximum convenience.

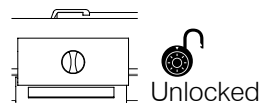
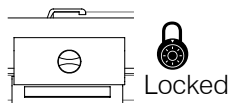
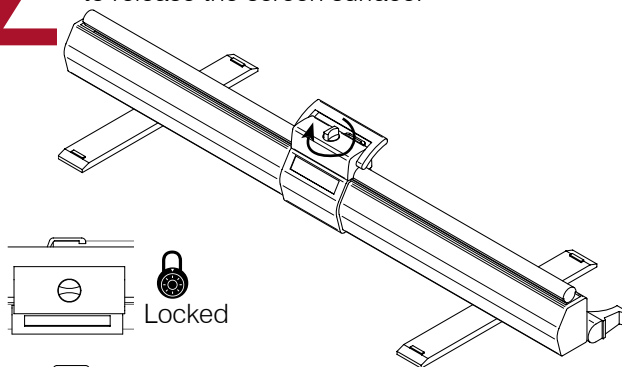
1

Lie the screen flat on the floor and swing out the feet so that they are perpendicular to the casing.



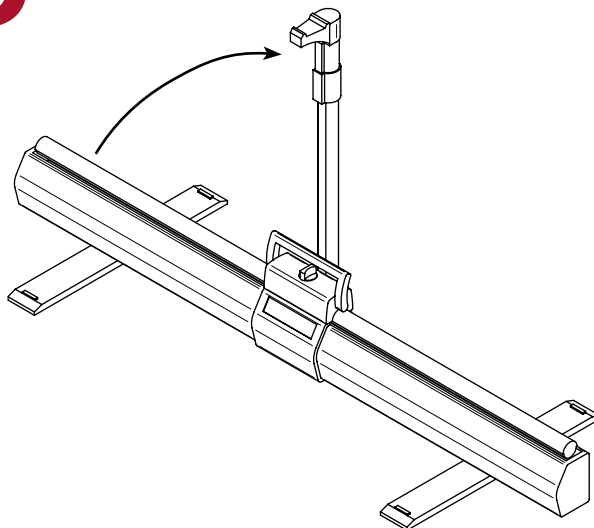
2

Turn the locking knob on the handle 90 degrees to release the screen surface.



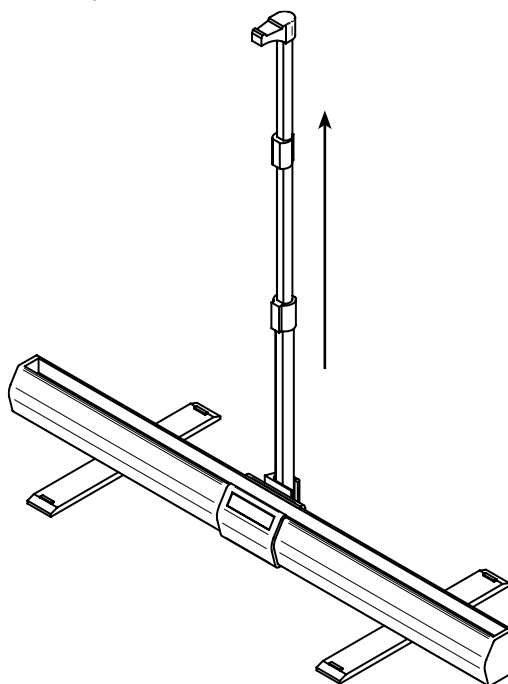
3

Stand up the support rod.



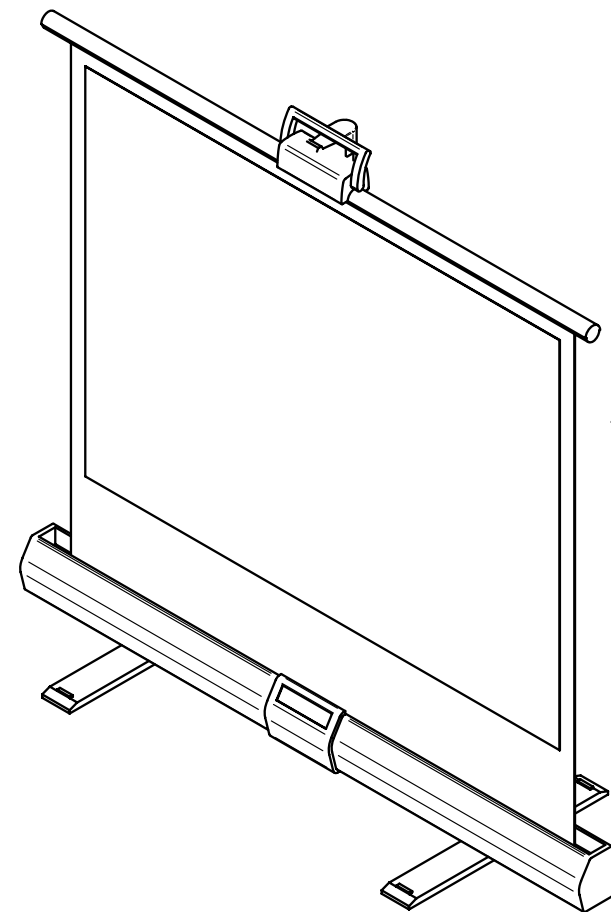
4

Extend the support rod to the desired height and lock into place.



5

Pull the screen up and hook into the top of the support rod.



6

Sit back and enjoy the show!