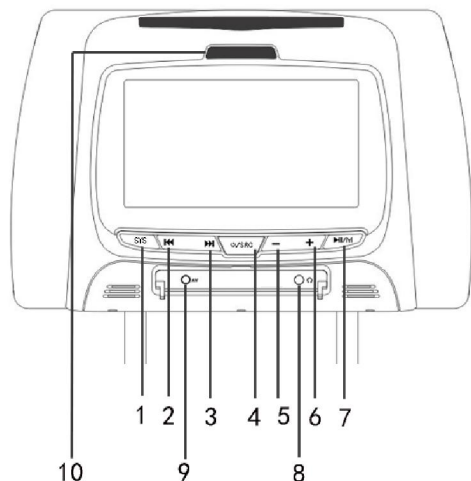


User Manual of Headrest Monitor



Please read the The manual carefully before installing
English

面板按键操作



- 1、 Transfer in 16 : 9 and 4 :
- 2、 Cursor shift up
- 3、 Cursor shift down
- 4、 Power
- 5、 Volume-
- 6、 Volume+
- 7、 Menu
- 9、 AV Input Port
- 10 、 Remote Controller

Receive/IR Transmit Jack

Under Digital TV Function, Panel Keypad Function As follows;

- 1、 Return to Previous Menu
- 2、 Cursor Shift up
- 3、 Cursor Shift down
- 4、 Short-time pressing turn to Digital TV Menu

Remote controller Operation

- 1、 Power On/Off Press this button can on/off the unit
- 2、 Press this button can transfer AV1 and AV2
Under Menu is Cursor Shift up
- 3、 Each Simulate Increase
4、 Menu button , Press this button can transfer function of Brightness. Contrast. Hue ext.
- 5 Each Simulate Decrease
- 6 Picture display proportion transfer(16: 9 and 4: 3)
Under Menu means Cursor Shift down

Menu Operation

Short press /SRC , Transfer function mode to “ DVD-TV-AV1-AV2 ”
 , Long-press is Power off , Short-press is Power on

Short-press is Play/Pause , Long-press is set up menu “ PICTURE ” ,
 Press a is transfer function of Brightness. Contrast. Hue
 ext. 。 Press “ + ” / “ - ” to increase/decrease

Analog quantity. Like as follows;

- 1 Contrast: Contrast adjust
- 2 Brightness: Brightness adjust
- 3 Saturation: Saturation adjust
- 4 Hue: Hue adjust

IR Transmission Operation;

Long press and th
 Menu , Long press “ +
 stain show “ OFF—A—B ” , for IR off

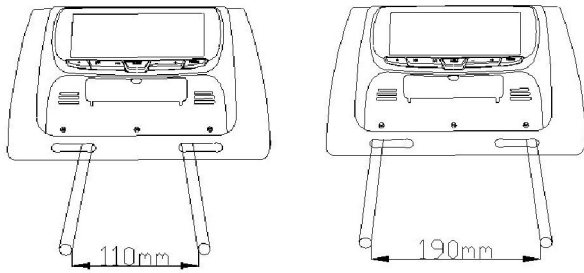
PICTURE	
Contrast	00
Brightness	-26
Saturation	00
Hue	00

UTILITY	
IR Mode	OFF

Headrest DVD Steel Tubes Operation Instruction

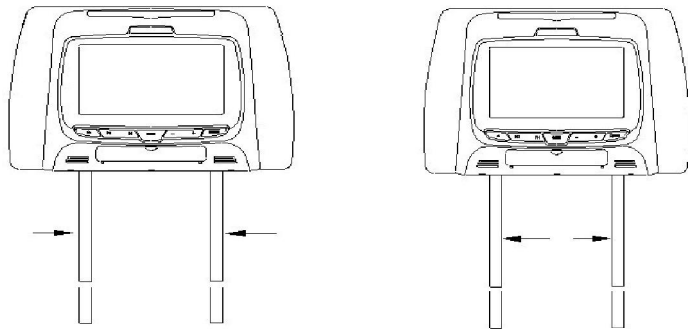
The steel Tubes can be adjustable according to different Cars. (adjust the distance between two steel tubes)

Two tubes Min. Interval;110MM,Max. Interval; 190MM



Method for adjust interval between two tubes :

Shake the tubes in and out (see the arrowhead) Gently put to the car chair distance, then can installation

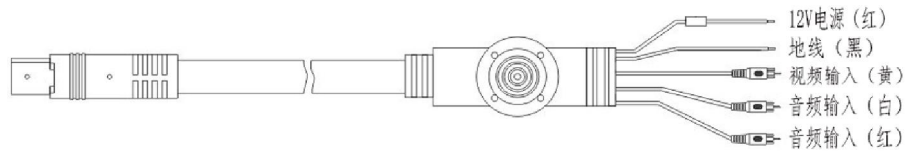


In

Out

Connection

Fellow is Power Connection and AV Input Connecting



Technical Specifications

Display Size: 7 Inch Digital Liquid ScreenAspect Ratio : 16:9

Resolution: 800 x(RGB) x480 pixels

Input: AV Input

Operation Method: All Function remote Operation、 Buttons Operation

Brightness: 350cd/m²

Contrast: 300: 1

Power: DC+ 12V

Power Consumption: 7W

Net Weight: About 1.2Kg

Specification: 28MM*148MM*380MM

color: Beige/Grey/Black