

## **User's Manual of Computerized Sauna Room – M-8251**

- I. Turn on the cool and warm water input tap. If there's water input into the computerized sauna room, then many functions of it won't be available.
- II. Connect the power supply (220V). The power supply plug is equipped with leakage protection device. If the power is connected, the red indicator lights; if the red indicator doesn't light, please press the rectangle button, if the red indicator remains dark, it means the power supply is not available, please replace the plug; If the red indicator turns off after pressing the round yellow button, it means the leakage protection is in good condition, if the red indicator doesn't turn off, please replace the plug.
- III. Turn on the general power supply. Press the General Power Switch (ON/OFF", the screen will display all the indicators in 2 seconds, and the computer will start self checking in 3-6 seconds, the enter into the state of stand by.
- IV. Turn on the radio system, if there's in calls, the system will automatically notice.
  1. Turn on the radio: Press "FM" for the radio state, the speaker makes sounds Search for channels: Press "Frequency +" or "Frequency -" to adjust the frequency of the radio, 0.1MHz by each press; press it for 1 second, the system will automatically search the channels, when find some channel, the system will automatically stop in this band.
  2. Adjust the volume: Press the "Volume +" or "Volume -" to increase or reduce the volume.
  3. Turn off the radio: Press the "FM" button again to turn off the radio system immediately.
- V. Turn on the lighting device. Press the "Light Button" to turn on the light and press again to turn off.
- VI. Turn on the ventilation system. Press the "Ventilation Fan", the screen will display the symbol of ventilation, and the ventilation fan works, press it again to turn off.

#### VII. The use of CD audio function:

1. Connect the CD signal. Connect the CD input plug in the computerized control box with the audio output terminal of the CD unit.
2. Press the “CD Button”. The screen will display the CD symbol, and the speaker plays CD music.
3. Press the “Volume +” or “Volume –” to increase or reduce the volume."
4. Press the “CD” button again to turn off CD function.

#### VIII. The use of sauna:

1. Time setting: Press “Time Setting” button, the screen will display the digits; press the “Time +” or “Time –” button to set the sauna time, the adjustable range is 5-60 minutes. Under the normal circumstance, it is preferred to set 15 minutes. Once time is up, the system will automatically cut off steam.
2. Temperature setting: Press “Temperature Setting” button, the screen will display the digits; press the “Temperature +” or “Temperature–” button to set the sauna temperature, the adjustable range is 35-60°C. When the temperature reaches the set value, the system will automatically cut off steam; when the temperature is lower than the set value at 2°C, the steam will automatically recover.
3. Press the “Steam” button, the screen will display the steam symbol, and the steam will be generated in 1 minute, the water tank will automatically input water, when the water input amount reaches the set value, it will automatically stop water in, and automatically supply in case of inefficiency water.
4. Press the “Steam” button again to cut off steam.
5. Protection functions:
  - A. After turn of steam, if there’s no water in the steamer or inadequate water, the steam symbol on the screen will flash and the steam function will be automatically turned off, thus protecting the unit.
  - B. If the steamer is in fault, or the temperature of the unit is very high, the steamer will automatically cut off power supply.

IX. The use of telephone function:

i. Make a call

1. Connect the telephone line. Press the “Telephone” button, the screen will display the telephone symbol.
2. Press the “0-9 digit button” to input the telephone number.
3. After telephone, talk through the control panel.
4. Adjust the volume by pressing the “Volume +” or “Volume –” button.
5. After finishing talk, press the “Telephone” button again to ring off.

ii. Receive a call

When the telephone is ringing, press the “Telephone” button and talk through the control panel, after finishing talking, press the “Telephone” button again to ring off.

X. The use of remote control function: The functions of the buttons on the remote controller are nearly the same as the buttons on the control panel. But the remote control shall aim at the control when operating, the specific functions are shown below:

1. Temperature button --- only for rising the temperature, press once to increase 1°C, the adjustable range is 35-60°C, it can be set circularly.
2. Time button --- only for rising the time, press once to increase 1 minute, the adjustable range is 0-60 minutes.
3. Radio button --- after finding one channel, press “SAVE” button, and then press 1-9 digit button to store the current channel in the corresponding digit; for getting the stored channel, turn on the radio and press the corresponding digit to reach the channel.

XI. Turn off the computerized control system

XII. Press “ON/OFF” button to turn off the screen, the water tank will automatically drain out the water for 3 minutes, finally, the system will automatically cut off 220V power supply.

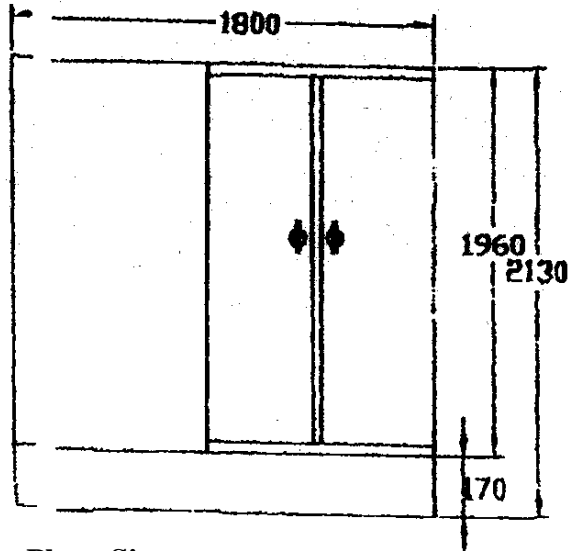
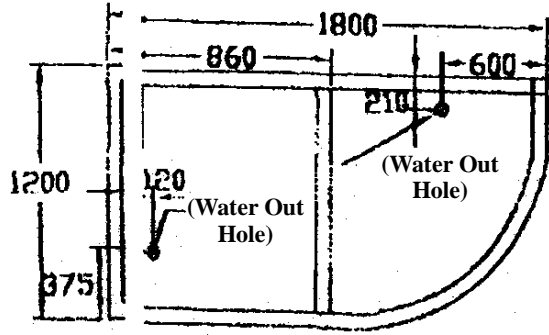
XIII. Notice:

1. Do not power on for long if the sauna won't be used for a period, the power plug shall be unplugged.
2. Some unavailable functions shall be covered with insulation materials for preventing leakage. (For example, packing the pressure pump connecting wire with isolation materials)
3. For the sack of your safety, make sure the earth line of the sauna room is well connected.

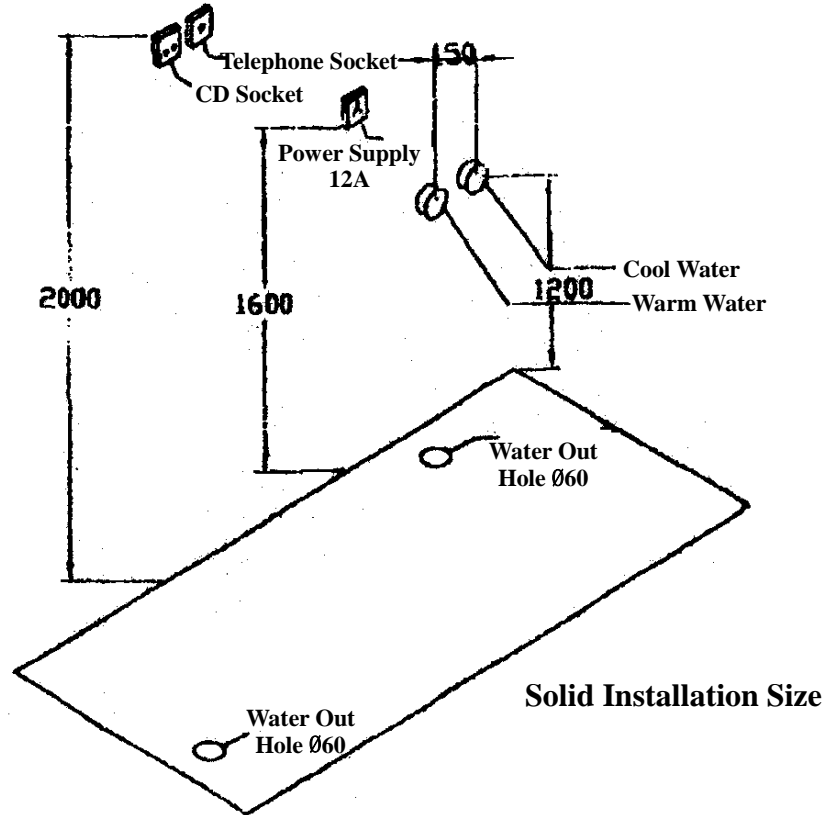
XIV. The use of massage system:

1. Insert the power supply plug, power on, the plug is equipped with leakage protection unit.
2. Turn on water supply.
3. Turn off the drainage valve.
4. Turn on the cool and warm water valve (big round handle), and adjust the water temperature.
5. Adjust the switching valve (small round handle) to achieve the following functions:
  - A. Bathtub water input.
  - B. Sparker bathing (movable)
  - C. Top sparking.
  - D. Up and middle acupuncture massage and sole massage.
  - E. Lower acupuncture massage and sole massage.
6. After the water reaches the lowest level (the nozzle is just submerged), press the "Air Start" switch. The nozzle starts to surf and the lamp in the bottom of the bathtub lights up. Press the "Adjust" switch to adjust the massage force. Press the "Air Star" switch to stop massage.
7. Turn on the water out valve to drain out the remained water, the water valve consists of kick type and rotating type, the kick type water valve requires to press the valve cover to drain out the water; the rotating type water valve requires to be switched for 90°C.
8. For the sack of your safety, make sure the earth line of the sauna room is well connected.

### M-8251 Computerized Room (Double Person Room)

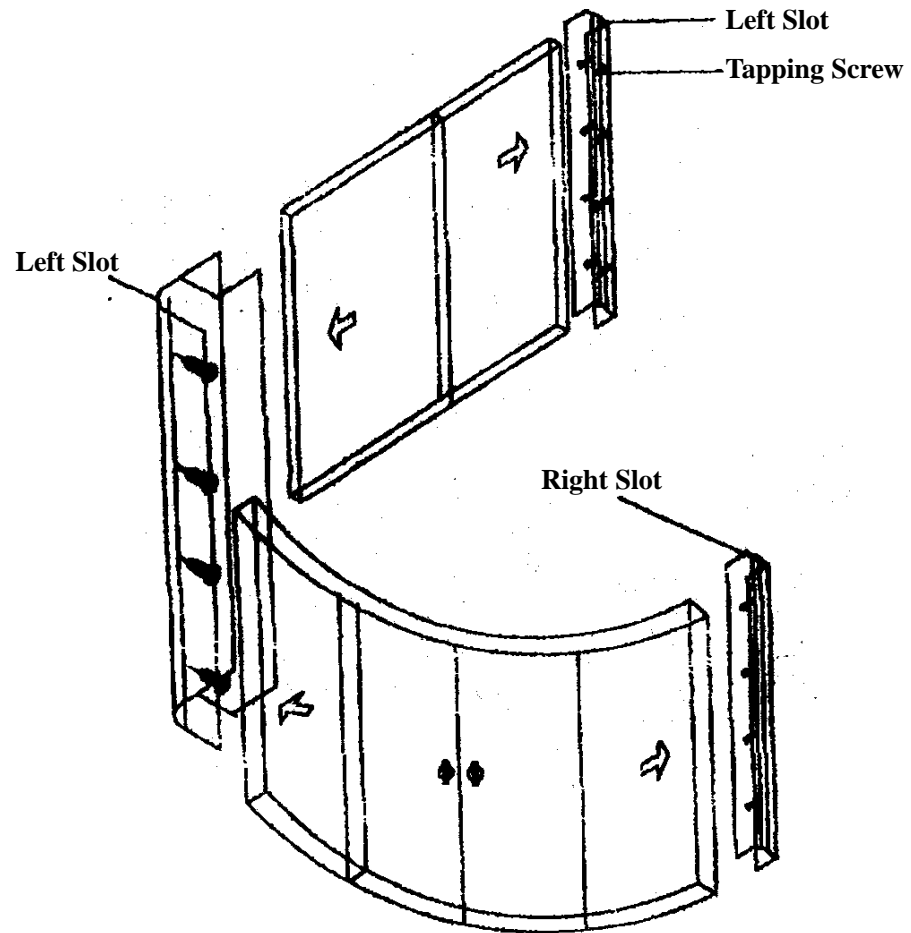


Plane Size

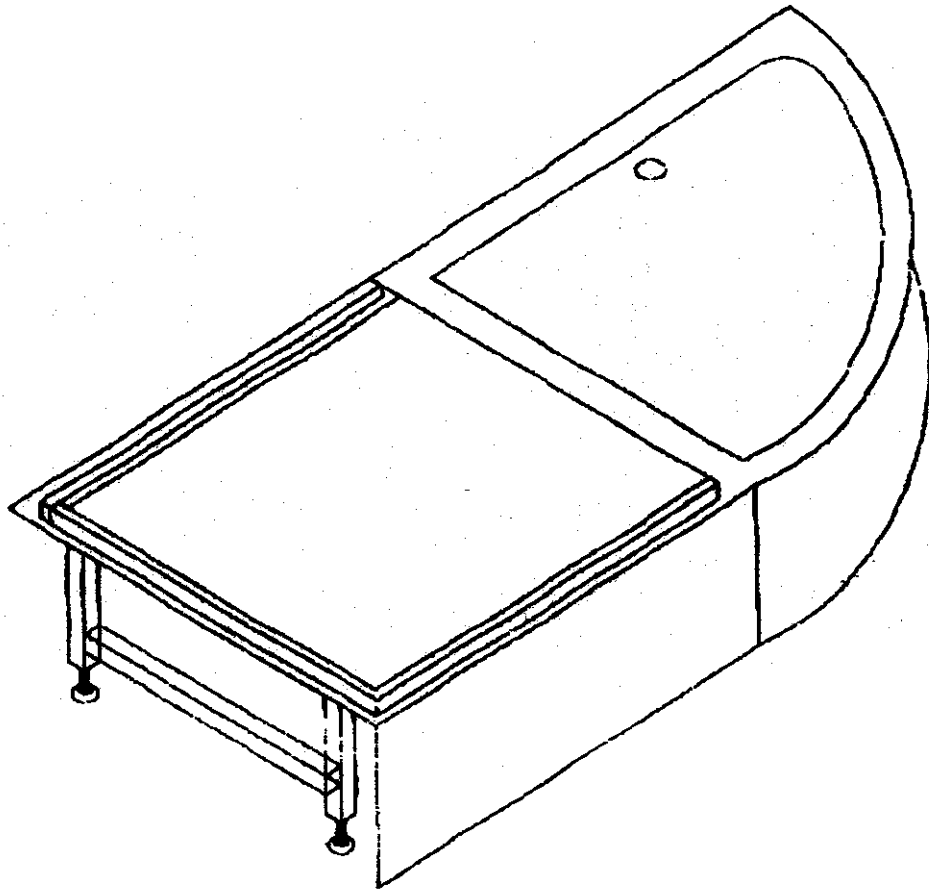


Solid Installation Size

### Glass Door Structure of MA-8251



## Installation Sketch of M-8251



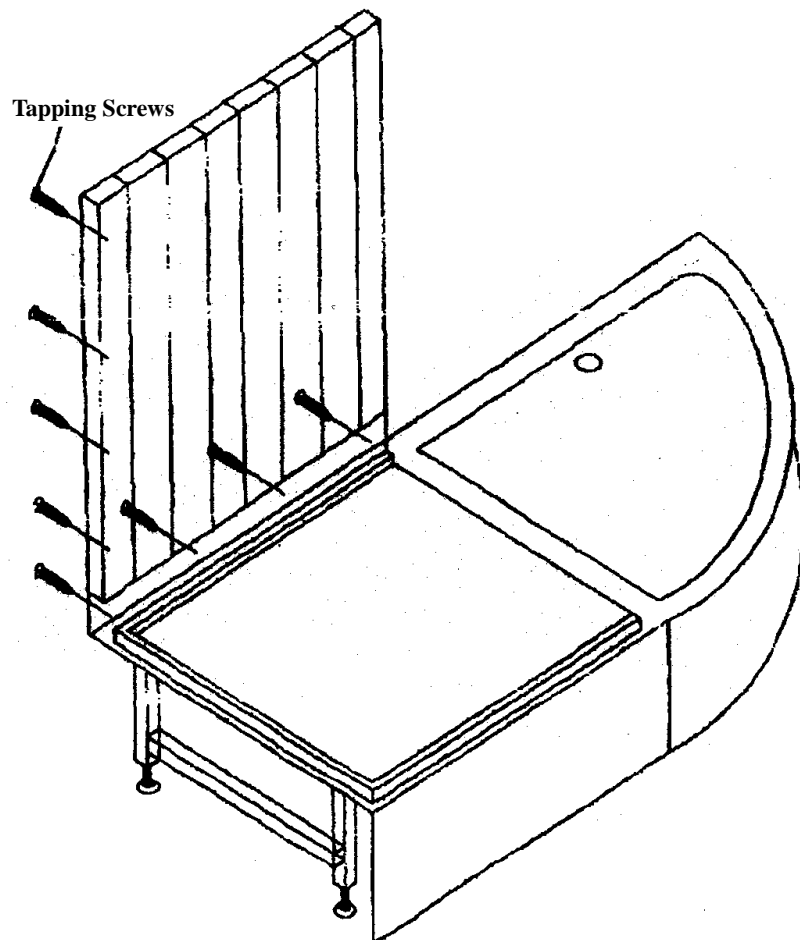
In order to make you to correctly, safely and conveniently install this product, we divided the installation of the sauna room into several steps with detailed illustration and explanation. Please install the product in accordance with the showed steps to achieve satisfied effect.

### I. Adjusting the foot bolts

As the floor in the washing room may be possibly uneven, it is required to move the bathtub body to the best position, and adjust the bolts on the button of the body. Make sure the body is parallel to the floor.

Check the body with gradienter, and tighten the bolts.

## 2. Install the Back Left Backboard (Dry Sauna Room)



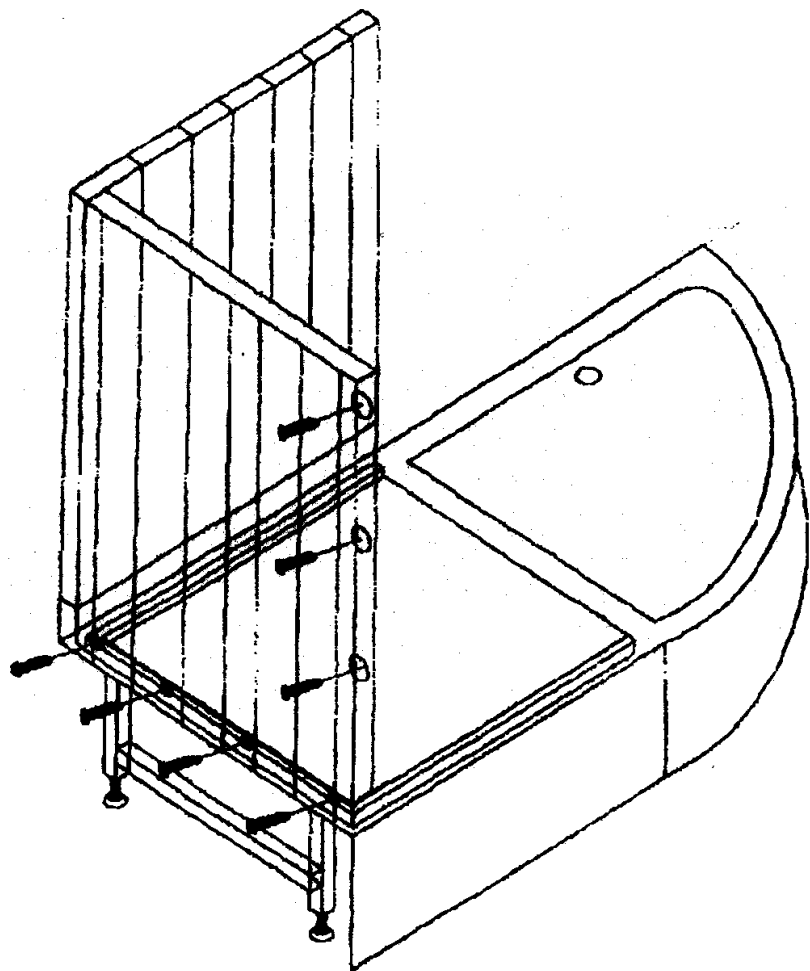
Tighten the back left backboard with the bathtub with M4\*45 screws.

<b>Name</b>	Computerized Room	<b>Diagram No.</b>	8/27
<b>Model</b>	M-8250	<b>Reviewed by</b>	
<b>Design</b>		<b>Date</b>	2003/8/27
<b>Drawing</b>	Liu Gangcheng	Rainbow Sanitary Appliances Factory	



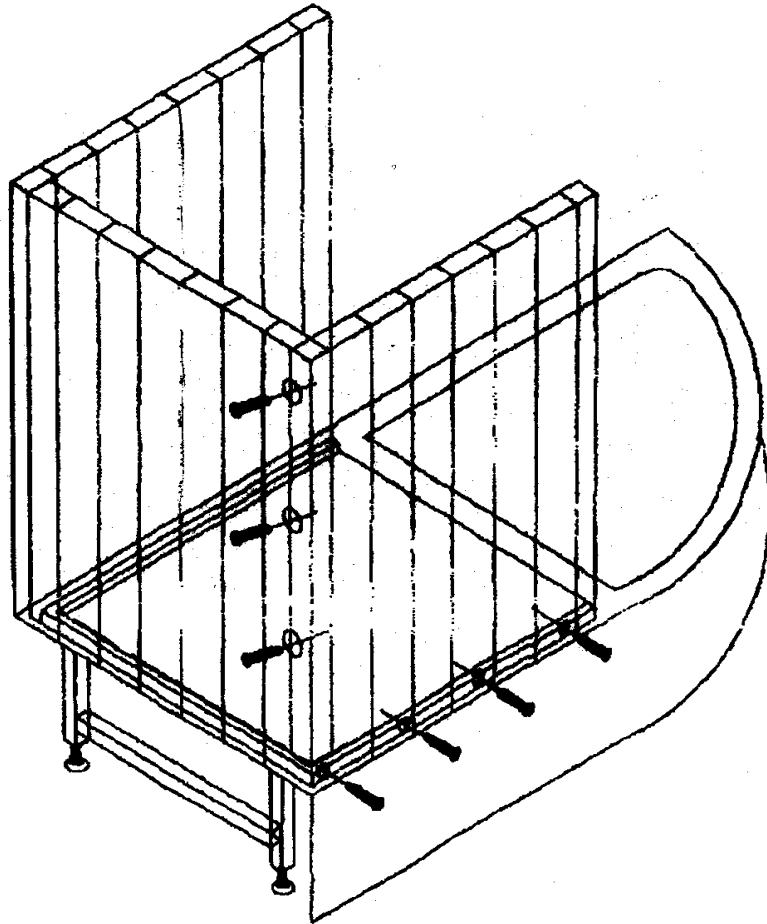
### 3. Install the Left Backboard (Dry Sauna Room)

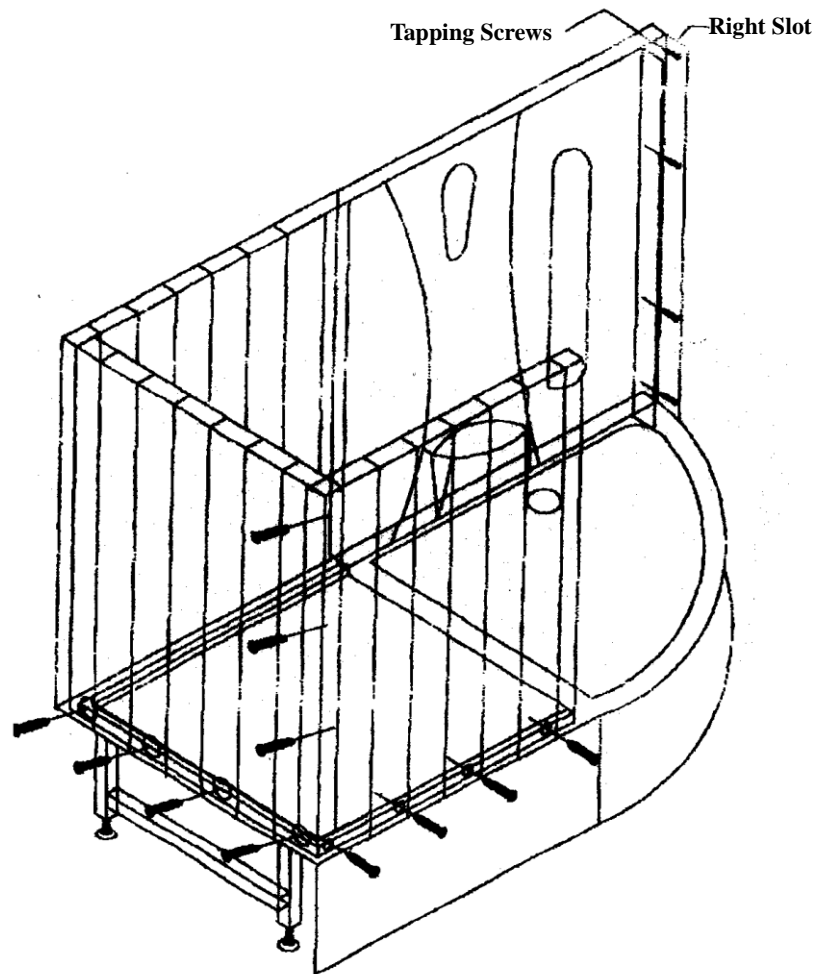
Tighten the left backboard with the bathtub with M4\*45 screws.



#### 4. Install the Front Board (Dry Sauna Room)

Tighten the front board with the bathtub with M4\*45 screws.





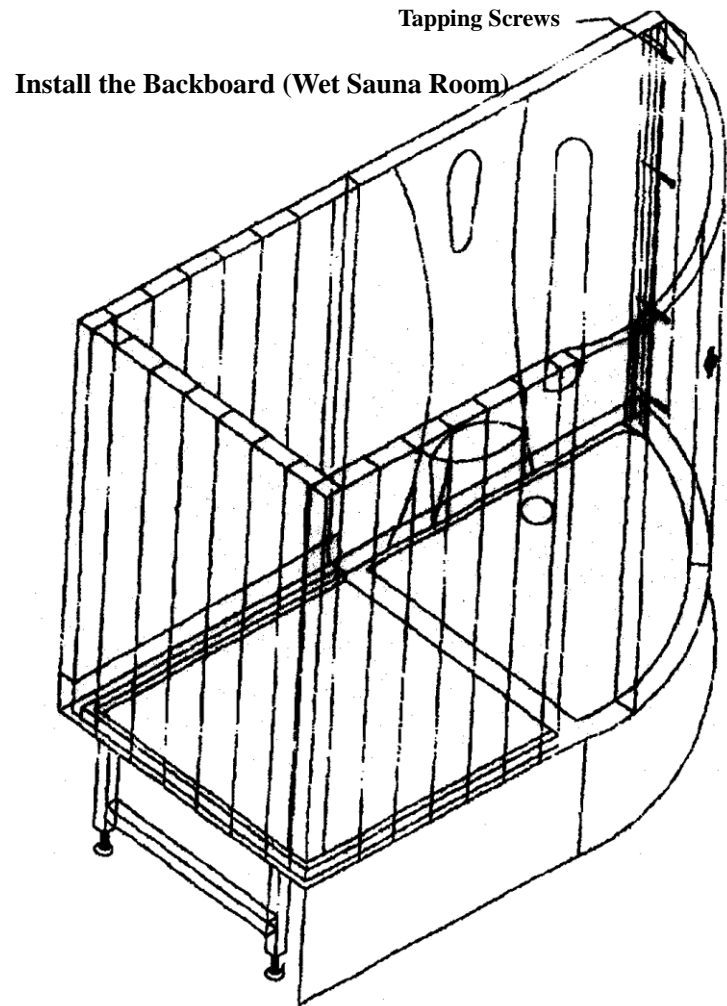
### **5. Install the Right Backboard (Wet Sauna Room)**

Tighten the right backboard and the bathtub with M4\*4 screws.

Tighten the right slot with M4\*16 tapping screws

Tighten the left slot and the right slot with M4\*16 tapping screws

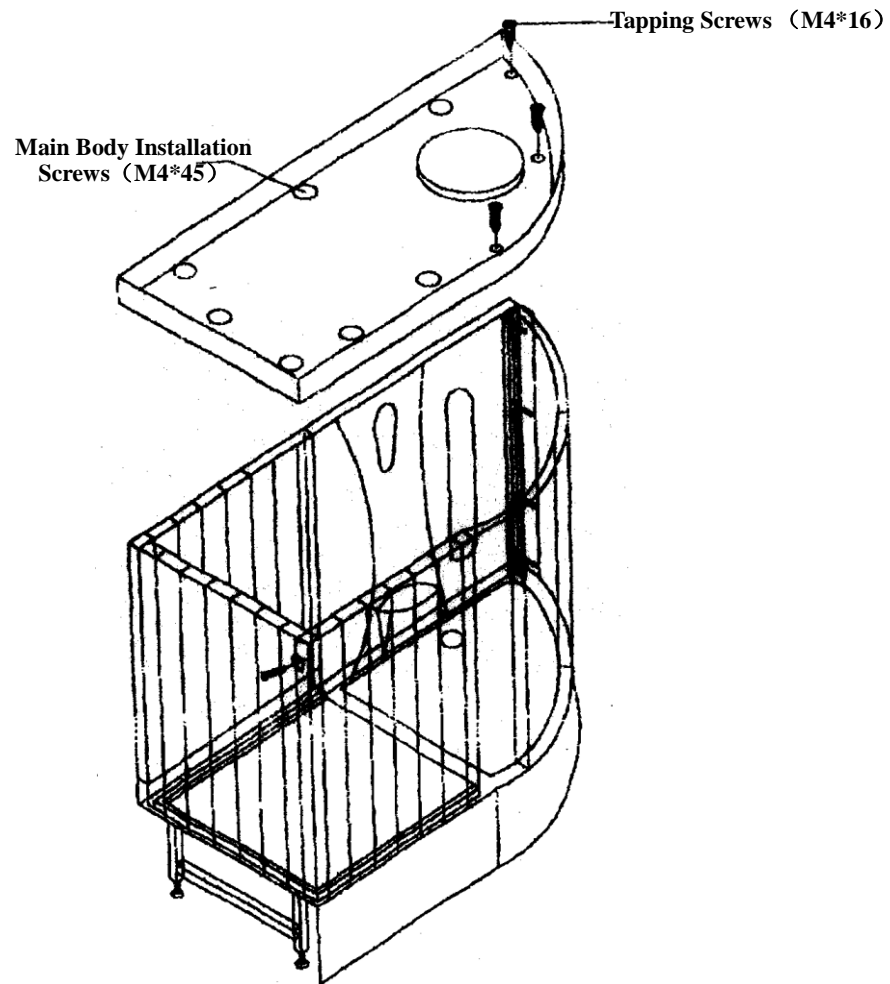
Please refer the Glass Door Structure for the connection method



## **6. Install the Glass Door (Wet Sauna Room)**

Insert the glass door into the left and right slot with the reference to the glass structure.

**NOTE:** All spare parts should be properly positioned.



## 7. Install the Top Cover

Place the top cover on the backboard and slide rail, connect it with the backboard with M4\*45 screws, and connect it with the slide rail with M4\*16 screws

Tighten all the screws in order with even force.

After finishing installation, please apply glass glue at the connections for preventing steam leakage and reduce the steam temperature.

