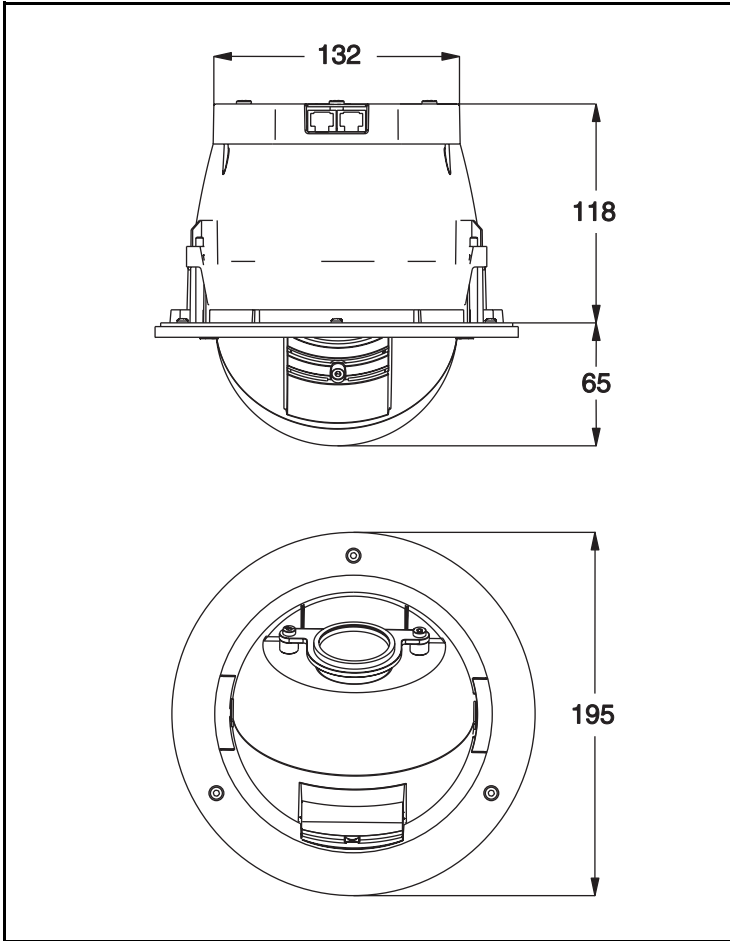


Alien 05

user manual



Measurements are in millimeters



© 2002 Martin Professional A/S, Denmark.

All rights reserved. No part of this manual may be reproduced, in any form or by any means, without permission in writing from Martin Professional A/S, Denmark.

Printed in Denmark.

P/N 35000104, Rev B

Introduction	4
Safety information	4
Safety during installation and maintenance	4
Safety during operation	5
Installation	6
Configuration options	6
Fixture location	7
Prerequisites	7
Installation	8
Removing the Alien 05	9
General operation	10
General guidelines	10
Positioning the beam	11
Color filters	12
Control	12
Service	13
Replacing the lamp	13
Removing the diffuser filter	14
Replacing color filters	14
Troubleshooting	16
Specifications	17

INTRODUCTION

Thank you for selecting the Martin Alien 05. The Alien 05 is a recessed color changer with eight interchangeable dichroic color filters (plus open white) and speed change control. The Alien 05's adjustable spherical head can be angled and swiveled to point in any outwards facing position. It can be used as either a recessed ceiling fixture, or be positioned in a wall as an up-light, down-light or sidelight. The beam angle is 55-degrees and a long-life 3000 hour lamp is included. The Alien 05 is dimmable with the use of an appropriate transformer (not supplied).

SAFETY INFORMATION

Warning! *This product is not for household use.*

This product presents risks of lethal or severe injury due to fire and heat, electric shock, ultraviolet radiation, and falls. **Read this manual** before powering or installing the fixture, follow the safety precautions listed below and observe all warnings in this manual and on the fixture. If you have questions about how to operate the fixture safely, please contact your Martin dealer or call the Martin 24-hour service hotline at +45 70 200 201.

Safety during installation and maintenance

- Do not install the fixture outdoors.
- When installing the fixture above ground level, verify that the structure can hold at least 10 times the weight of all installed devices.
- Block access below the work area whenever installing or removing the fixture.
- Disconnect the fixture from AC power before removing or installing the lamp, fuses, or any part.
- Use only a source of AC power that complies with local building and electrical codes and has both overload and ground-fault protection.
- When replacing the lamp, allow the fixture to cool for at least 15 minutes before opening the fixture.
- Do not modify the fixture or install other than genuine Martin parts.
- Refer all service to a Martin service technician.

Safety during operation

- Never operate the fixture with missing or damaged lenses and/or covers.
- Do not stare directly into the light. Never look at an exposed lamp while it is lit.
- Replace the lamp if it becomes defective or worn out.
- Do not illuminate surfaces within 0.5 meters (20 inches) of the fixture.
- Never place filters or other materials over the lens.
- The exterior of the sphere becomes very hot, up to 90° C (194° F) during normal operation. Do not locate the fixture in areas where accidental contact is likely.
- Do not operate the fixture if the ambient temperature (T_a) exceeds 40° C (104° F).

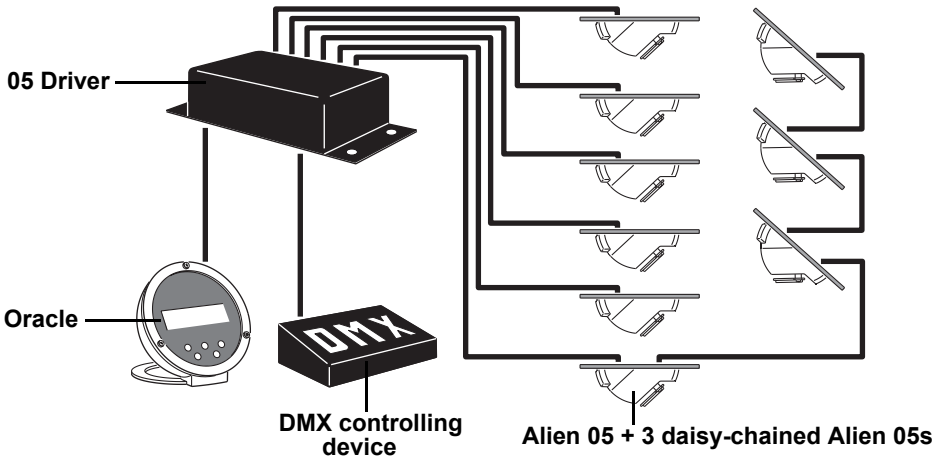
INSTALLATION

This section describes in general terms how to mount the fixture and connect it to data and AC power. These procedures shall be performed by qualified professionals.

CONFIGURATION OPTIONS

The Alien 05 must be connected to an 05 Driver unit (orderable separately) that contains the intelligent control functions. Each 05 Driver unit has six independent control channels, to each of which up to four Alien 05s can be connected (in a daisy-chain).

Each 05 Driver channel can provide an individual program - with different effects - to the Alien 05s connected to that channel. All the fixtures on one channel will mimic each other in their behaviour.



05 Driver units can receive instructions from:

- The dedicated Oracle control unit (orderable separately, P/N 90722000), which is designed to provide simple operator functions, as well as access to more complex programming facilities.
- Or from any DMX controller, DMX recorder, or any other USITT DMX512 compliant controlling device.

In the absence of a controlling device, simple stand-alone functions are available via DIP switches on the 05 Driver unit.

FIXTURE LOCATION

The Alien 05 can be used as either a recessed ceiling fixture, or be positioned in a wall as an up-light, down-light or sidelight.

The Alien 05 cannot be installed into a wall or ceiling panel that is more than 20 mm (0.8 in) thick.

Do not locate the Alien 05 in an unventilated space. Install the fixture in a location where it is

- At least 0.5 meters (20 inches) away from the surface to be illuminated.
- Away from accidental public contact, as the surface of the sphere gets hot - up to 90 ° C (194° F).
- Installed with at least 50 mm (2 in) of clear space around the air vent at the rear of the fixture (total space required including the depth of the fixture is 168 mm (6.6 in)).
- Not more than 10 metres away from the next fixture in the network.

PREREQUISITES

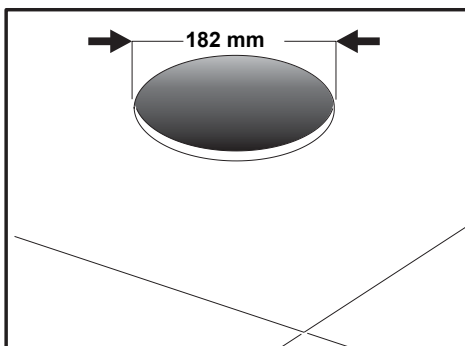
Before installing the Alien 05:

- Ensure that you have a 12 V AC halogen lamp transformer (not supplied) with which to power the Alien 05, and that this can be connected to AC power and to the Alien 05 at the position where it is to operate from.
- Ensure that you have a CAT5 network cable (category 5 UTP patch cable, 4 pairs, 24 AWG) that is not longer than 10 metres (33 feet), and that can be run from the Alien 05 to the 05 Driver unit.
- If you are daisy-chaining another Alien 05 then you need an additional CAT5 network cable, that is not longer than 10 metres (33 feet), to connect this luminaire to the next one.

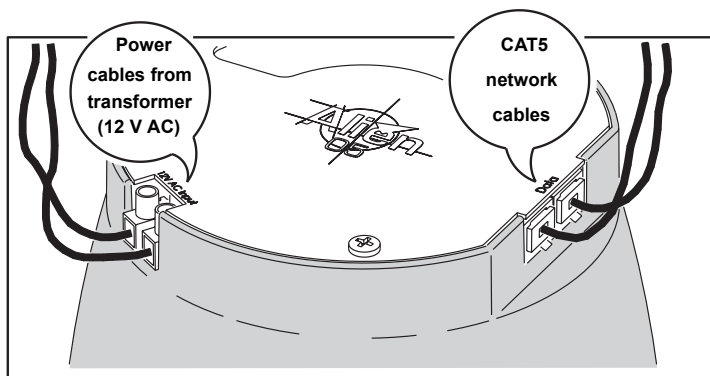
INSTALLATION

To install the Alien 05:

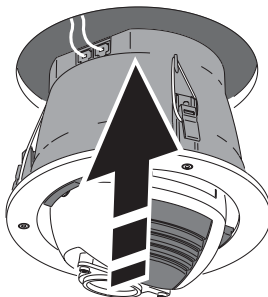
- 1 Cut a round hole with a diameter of 182 mm (7.2 in) in the panel in which the Alien 05 is to be installed. Note that it may be advisable to perform this step for all the Alien 05s that are being installed and to then lay the power and network leads between each mounting hole.



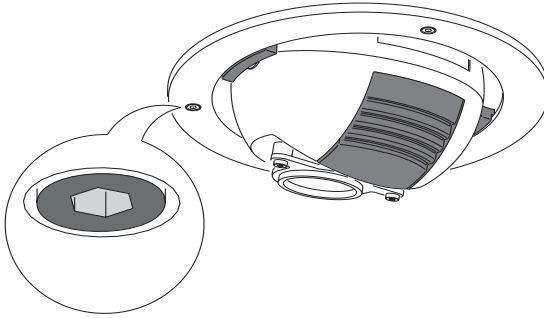
- 2 Connect the power leads from the 12 V AC halogen lamp transformer. Anchor these securely by tightening the screws.
- 3 Connect a CAT5 network cable from the 05 Driver unit and, if the lamp is to be daisy-chained to a subsequent lamp, connect a CAT5 network cable for the link to that fixture. Note that it does not matter which network socket is used.



- 4 Once the cables are connected, insert the Alien 05 into the mounting hole.



- 5 Using a 3 mm Allen wrench, tighten the screws to lock the fixture in place. Do not over tighten.



REMOVING THE ALIEN 05

Once installed it is not recommended that you remove the Alien 05 unless absolutely necessary.

To remove the Alien 05:

- 1 Remove the 3 Allen screws in the mounting ring (shown in the previous section) using a 3 mm Allen wrench.
- 2 Remove the fixture from the wall/ceiling panel.

During this process, particularly if the fixture is wall mounted, you might lose one or more of the three clamp nuts (P/N 08074102) and rubber bands (P/N 34420503) that hold the fixture firmly in place when mounted. Should this occur replacement parts can be ordered from your Martin dealer.

GENERAL OPERATION

The Alien 05 effects (color filter selection and the speed of color changes) are controlled by an 05 Driver unit. Operators can develop programs, or issue control commands to an 05 Driver using the Oracle dedicated control unit, any DMX controller, DMX recorder, or any other USITT DMX512 compliant controlling device. For more information refer to the:

- *Martin 05 Driver user manual*, P/N 35000107
- *Martin Oracle user manual*, P/N 35000108
- The user documentation for the relevant DMX control device

In the absence of an Oracle or DMX controlling device, simple stand-alone functions are available via DIP switches on the 05 Driver unit. See the *Martin 05 Driver user manual*.

GENERAL GUIDELINES

For optimum lamp life, turn off the power whenever illumination is not required for extended periods of an hour or more.

POSITIONING THE BEAM

The sphere can be rotated and tilted by hand to face any outwards direction.

Warning! *The surface of the Alien 05 sphere gets hot during operation - up to 90° C (194° F). Switch off power and allow the sphere to cool for at least 5 minutes before touching.*

Do not tilt the sphere so that the light points into the fixture as the build-up of heat may damage the fixture. Forcing the sphere into this position might also strain the cables within the fixture..



The Alien 05 is supplied with a diffuser filter installed. This ensures a soft illumination when illuminating close objects. When illuminating objects at greater distances, it is recommended that you remove the diffuser filter. See “Removing the diffuser filter” on page 14.

COLOR FILTERS

The Alien 05 is supplied with eight color filters and an open position. The filters sit in a motorized wheel that is controlled by the 05 Driver unit. The positions and respective filters are as follows:

Position	Filter
1	No filter - open position (a filter can be installed if required)
2	Color temperature correction (CTC) 5500-3400 K (warmer light)
3	Yellow 604
4	Red 305
5	Pink 312
6	CTC 3200-5600 K (colder light)
7	Blue 106
8	Blue 103
9	Green 201

The numbers next to each color are OCLI (Optical Coating Laboratory, Inc.) reference numbers.

Additional color filters can be ordered from your Martin dealer. A list of available filters can be found in “Specifications” on page 17, or on the Martin web site (<http://www.martin.dk>).

In the absence of an 05 Driver unit it is possible to open the fixture and change the currently selected filter manually. Refer to “Replacing color filters” on page 14 for information on how to access the color filter wheel.

CONTROL

Refer to the *05 Driver user manual*.

SERVICE

This section describes service procedures that can be performed by the user. Refer all service not described here to a qualified Martin technician.

Warning! *Disconnect the fixture from power before removing any cover.*

REPLACING THE LAMP

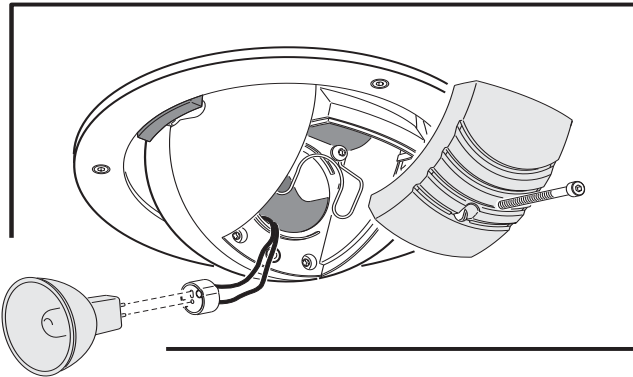
The Alien 05 uses the Osram ENL 50W 12V lamp (P/N 97000005). This lamp has been designed specifically for the Alien 05. *Installing any other lamp is likely to result in a lower light output.*

Lamp replacement requires a 3 mm Allen wrench.

Warning! *Allow the fixture sphere to cool for 15 minutes before removing the lamp cover.*

To replace the lamp:

- 1 Disconnect the fixture from power and allow it to cool.
- 2 Rotate the sphere to the position shown in the following illustration



- 3 Remove the lamp cover using a 3 mm Allen wrench.
- 4 Gently remove the old lamp from its housing and remove it from the socket.
- 5 Holding the new lamp by its glass base - insert it firmly and squarely into the lamp socket.

- 6 Gently insert the lamp into its housing.
- 7 Replace the cover, being careful not to over tighten.

REMOVING THE DIFFUSER FILTER

The diffuser filter sits in a metal holder on the outside of the sphere in front of the lens. It is held in place with a spring catch and is simple to remove. You can also remove the metal holder if you want to.

Warning! *The fixture sphere gets hot during operation. Disconnect power and allow the fixture sphere to cool for 15 minutes before removing the diffuser filter.*

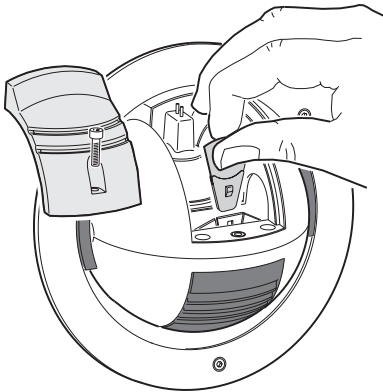
REPLACING COLOR FILTERS

Color filter replacement requires a 3 mm Allen wrench.

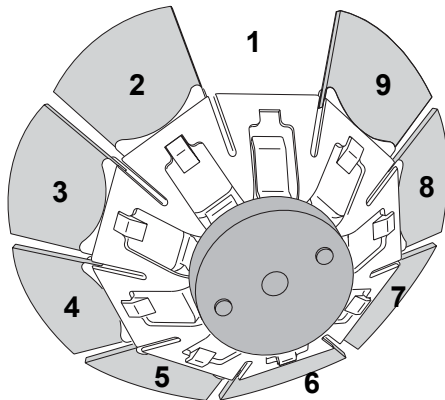
Warning! *Allow the fixture sphere to cool for 15 minutes before removing the color filter cover.*

To replace color filters:

- 1 Disconnect the fixture from power and allow it to cool.
- 2 Rotate the sphere to the position shown in the following illustration:



- 3 Remove the color-filter access-cover using a 3 mm Allen wrench. See “Color filters” on page 12 for a list of the standard filters and their position numbers. The positions on the color wheel are as follows:



- 4 The filters clip into holders on the wheel. Being careful not to place finger prints on the filters, rotate the wheel, and replace the appropriate filters.
- 5 Replace the cover, being careful not to over tighten the Allen screw.

TROUBLESHOOTING

5

Problem	Probable cause(s)	Remedy
No response from fixture when power is applied.	No power to fixture.	Check power cables.
Fixture does not respond correctly to 05 Driver unit	05 Driver unit not connected.	Connect 05 Driver unit.
	Bad data link connection.	Inspect cables and correct poor connections and/or broken cables.
No light, lamp cuts out intermittently.	Lamp missing or blown.	Turn the power off and replace the lamp.
	Fixture or lamp is too hot.	Allow fixture to cool. If problem persists, contact service technician.
	Cables to the transformer not fastened securely or loose.	Check power cables.

SPECIFICATIONS

PHYSICAL

Diameter of fixture at widest point: 195 mm (7.7 in)
Depth of recessed base: 118 mm (4.7 in)
Maximum protrusion of fixture from mounting surface: 65 mm (2.6 in)
Weight: 1.2 kg (2.6 lbs)

SOURCE

Lamp: MR16, 50 W, 12 V, glass reflector
Approved models: Osram ENL 50W 12V custom reflector
Base: GX 5.3

ELECTROMECHANICAL EFFECTS

8 color filters plus open
Speed control

CONTROL & PROGRAMMING

Control options (via O5 Driver unit): DMX-512
Control options (via O5 Driver unit): stand-alone using DIP switches
Control options (via O5 Driver unit): dedicated operator panel - Oracle
Data input: CAT5 network cable (not supplied) - maximum length 10 m (33 ft)
Data output: CAT5 network cable (not supplied) - maximum length 10 m (33 ft)

INSTALLATION

Minimum distance to illuminated objects: 0.5 m (16.7 in)
Minimum clearance around air vent: 50 mm (8 in)
Indoor orientation: Any (ceiling panel or wall recommended)
Maximum thickness of ceiling/wall panel: 20 mm (0.8 in)
Diameter of hole required for mounting in ceiling/wall: 182 mm (7.2 in)

DESIGN STANDARDS

EU safety: EN 60598-2-2

THERMAL

Maximum ambient temperature (Ta): 40° C (104° F)
Maximum surface temperature, steady state, Ta=40° C 90 ° C (194° F)
Cooling: Convection cooling system

AC SUPPLY

Alien O5 power supply: 12 V AC halogen lamp transformer (not supplied)
O5 Driver unit power supply: Auto-ranging

MAXIMUM POWER AND CURRENT

Alien 05: 12 V 50/60 Hz:50 W, 4.2 A

CONSTRUCTION

Housing: Die cast aluminum and polyamide PA 6 (30% glass)

Color: Aluminum and gray

ORDERING INFORMATION

Alien 05, 12V, 50 W: P/N 90340000

05 Driver: P/N 90722010

INCLUDED ITEMS

User manual: P/N 35000104

Osram ENL 50W 12V: P/N 97000005

CTC 5500-3400 color filter (position 2): P/N 62327097

Yellow 604 color filter (position 3): P/N 62327089

Red 305 color filter (position 4): P/N 62327098

Pink 312 color filter (position 5): P/N 62327053

CTC 3200-5600 color filter (position 6): P/N 62327094

Blue 106 color filter (position 7): P/N 62327091

Blue 103 color filter (position 8): P/N 62327099

Green 201 color filter (position 9): P/N 62327092

Diffuser filter (installed): P/N 43043010

ACCESSORIES

Oracle controller: P/N 90722000

CAT5 network cables - 2 m (6.5 ft) x 50 pieces: P/N 91611044

CAT5 network cables - 5 m (16.4 ft) x 30 pieces: P/N 91611045

CAT5 network cables - 10 m (32.8 ft) x 15 pieces: P/N 91611046

Osram ENL 50W 12V: P/N 97000005

Blue 101 color filter P/N 62327058

Blue 104 color filter P/N 62327052

Blue 108 color filter P/N 62327055

Green 202 color filter P/N 62327060

Green 206 color filter P/N 62327054

Magenta 507 color filter P/N 62327057

Orange 306 color filter P/N 62327059

Purple 502 color filter P/N 62327061

Red 301 color filter P/N 62327056

Yellow 603 color filter P/N 62327051