

# ignition

USER'S MANUAL



LED BASE 4

---

## Table of contents

1.	Safety instructions.....	3
2.	Connectors.....	6
3.	DMX Mode .....	6
4.	Set Up .....	7
4.1.	DMX ADD.....	7
4.2.	Display settings .....	7
4.3.	Manual Dimmer .....	7
4.4.	Manual colourselection .....	7
5.	Reset / Hold .....	8
6.	DMX Mode .....	8
7.	Program Mode .....	11
8.	Technical Data .....	12

## 1. Safety instructions

### FOR SAFE AND EFFICIENT OPERATION

Be careful with heat and extreme temperature. Avoid exposing it to direct rays of the sun or near a heating appliance.

Do not put it in a temperature below 41°F /5°C, or exceeding 95°F /35°C.

Keep away from humidity, water and dust

Do not place the set in a location with high humidity or lots of dust.

Containers with water should not be placed on the set.

Keep away from sources of hum and noise

Such as transformer motor, tuner, TV set and amplifier.

To avoid placing on un-stable location

Select a level and stable location to avoid vibration.

Do not use chemicals or volatile liquids for cleaning

Use a clean dry cloth to wipe off the dust, or a wet soft cloth for stubborn dirt.

If out of work, contact sales agency immediately

Any troubles arose, remove the power plug soon, and contact with an engineer for repairing, do not open the cabinet by yourself, it might result a danger of electric shock.

Take care with the power cable

Never pull the power cable to remove the plug from the receptacle, be sure to hold the plug. When not using the player for an extended period of time be sure to disconnect the plug from the receptacle.

## 1.1 Overhead Rigging

This Item must be built in a way that it can hold 10 times more of its weight for 1 hour without causing any damages.

The installation must be secured with a secondary safety attachment. The safety attachment has to be constructed in a way that no part of the installation can fall down

When rigging, de-rigging or servicing the fixture staying in the area below the installation place, on bridges, under high working places and other endangered areas is forbidden.

Before taking the device in operation, the installation must be approved by an expert.

The operator has to make sure that safety-relating and machine-technical installations are approved by a skilled person once a year.

Procedure:

The Device must be installed outside areas where persons may walk by or be seated.

**IMPORTANT! OVERHEAD RIGGING REQUIRES EXTENSIVE EXPERIENCE**, including (but not limited to) calculating working load limits, installation material being used, and periodic safety inspection of all installation material and the projector. If you lack these qualifications, do not attempt the installation yourself, but instead use a professional structural rigger. Improper installation can result in bodily injury and/or damage to property.

Use only professional trussing systems if the Item shall be lowered from the ceiling or high joists. Never let the Device swing freely in a room.

Caution: Overhead Items may cause serious injuries when crashing down!! If there is concern about the safety then **DO NOT INSTALL** the Device!!!!

### **DANGER OF FIRE!**

When installing the device, make sure there is no highly-inflammable Material (decoration articles, etc.) within a distance of min. 0.5 m.

Mount the projector with the mounting-bracket to your trussing system using an appropriate clamp.

For overhead use, always install a safety-rope that can hold at least 12 times the weight of the fixture. You must only use safety-ropes with quick links with screw cap. Pull the safety-rope through the hole in the mounting-bracket and over the trussing system or a safe fixation spot. Insert the end in the quick link and tighten the safety screw.

The maximum drop distance must never exceed 20 cm.

A safety rope which already held the strain of a crash or which is defective must not be used again.

Adjust the desired inclination-angle via the mounting-bracket and tighten the fixation screws.

### **DANGER TO LIFE!**

Before taking into operation for the first time, the installation has to be approved by an expert!

## 1.2. Power Connection

!! CAUTION !!

Never leave this device running unattended!! Every person that is involved with this Item has to be qualified!!

Connect item with the main plug. The voltage and frequency must exactly be the same as stated on the device. The power plug must always be inserted without force.

## 1.3 Cleaning and Maintenance

Please make sure that safety-relating and machine-technical installations are inspected by a skilled person once a year.

1. Make sure before installing that all screws are tightly connected and not corroded.
2. There must be no deformations on the housings, fixations and installations spots.
3. No damages must be showed on the power supply cables, material fatigue and sediments.

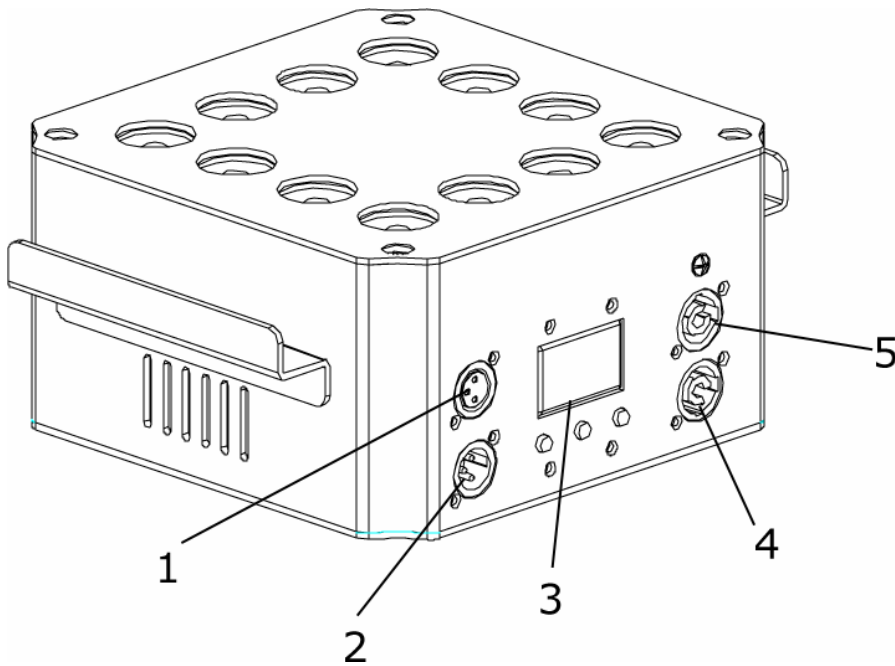
If the device is going to be cleaned, please use moist, lint free cloths. Never use alcohol or solvents!!

The cooling fan must be cleaned monthly!

To clean the interior of the device please use a vacuum cleaner or an air jet.

We recommend cleaning the lenses weekly to keep the light output as long as possible.

## 2. Connectors



1. DMX Out (XLR Plug)
2. DMX IN (XLR Plug)
3. Display and control buttons
4. Powercon In (Power plug)
5. Powercon Out (Power Through)

## 3. DMX Mode

You are able to work with the fixtures in 3 different modes

**DMX Mode** – in this Mode its possible to control via DMX Controller .

**Program Mode** – in thsi mode you can use the built in programs

**Speed Mode** – in this mode you can adjust the program speed.

**Sound Mode** – in this mode the fixture reacts to sound impulse.

## 4. Set Up

### 4.1. DMX ADD.

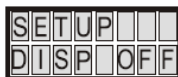


Defines the DMX start address

### 4.2. Display settings



Display Background lights on.



Display background light turn off after 10s.



Display shows the temperature of the board in °C. When the temperature is above 70°C , the output rating will reduce down to 30%, until the temperature falls back to 70°C. That's to protect the LED and give it a long lifetime

### 4.3. Manual Dimmer



Manuel dimming 0-100%

This setting overwrites every other setting like the max output in manuel or DMX mode and the built in programs.

### 4.4. Manual colourselection



Determines the maximum intensity of the colour red 0 % - 100%. This setting overwrites every other setting like the max output in manual or DMX mode and the built in programs.



Determines the maximum intensity of the colour green 0 % - 100%. This setting overwrites every other setting like the max output in manual or DMX mode and the built in programs.



Determines the maximum intensity of the colour blue 0 % - 100%. This setting overwrites every other setting like the max output in manual or DMX mode and the built in programs.

## 5. Reset / Hold

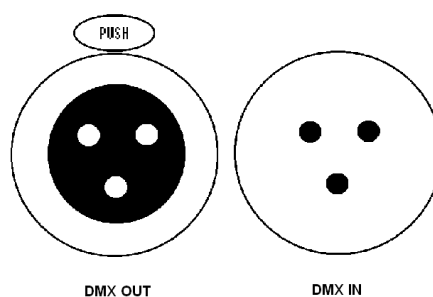


If you push and hold +/- for more than 3 sek., the SETUPDIM will do a reset.

## 6. DMX Mode

**DMX Mode:** (Display blink, if there is no DMX signal)

Connect the signal out of you controller with the XLR in plug on the fixture.  
On the XLR out you can connect other DMX controllable fixtures.





DMX MODE 1



Chanel	Value	Function
1	0-255	0 = Off , 1-255 = different colourmacros (36)

DMX MODE 2



Chanel	Value	Function
1	0-255	0 = Off , 1-255 = different colourmacros (36)
2	0-255	0 = off, 1-255 = Dimmer 1-100%

DMX MODE 3



Chanel	Value	Function
1	0-255	RED: 0 = OFF, 1-255 = DIMMER 1-100% OUTPUT
2	0-255	GREEN: 0 = OFF, 1-255 = DIMMER 1-100% OUTPUT
3	0-255	BLUE: 0 = OFF, 1-255 = DIMMER 1-100% OUTPUT

DMX MODE 4



Chanel	Value	Function
1	0-255	RED: 0 = OFF, 1-255 = DIMMER 1-100% OUTPUT
2	0-255	GREEN: 0 = OFF, 1-255 = DIMMER 1-100% OUTPUT
3	0-255	BLUE: 0 = OFF, 1-255 = DIMMER 1-100% OUTPUT
4	0-255	STROBE: 0-15 = OFF, 16-255 = 1Hz – 12Hz
5	0-255	MASTER: 0 = OFF, 1-255 = DIMMER 1-100% OUTPUT

**DMX MODE 5**

DMX				
MODE	5			

Chanel	Value	Function
1	0-255	RED: 0 = OFF, 1-255 = DIMMER 1-100% OUTPUT
2	0-255	GREEN: 0 = OFF, 1-255 = DIMMER 1-100% OUTPUT
3	0-255	BLUE: 0 = OFF, 1-255 = DIMMER 1-100% OUTPUT
4	0-255	STROBE: 0-15 = OFF, 16-255 = 1Hz – 12Hz
5	0-255	MASTER: 0 = OFF, 1-255 = DIMMER 1-100% OUTPUT
6	0-255	Special functions 0-31 = Inactiv 32-63 = Automatic Dimming (upwards) 64-95 = Automatic Dimming (downwards) 96-127 = Automatic Dimming (upwards / downwards) 128-159 = Automatic colourchase 160-191 = coincidence colour chase, 3 colours 192-223= coincidence colour chase, 7 colours 224-255= start music control

**DMX MODE 6 (Compatibility mode)**

DMX				
MODE	6			

Chanel	Value	Fuction
1	0-255	RED: 0 = OFF, 1-255 = DIMMER 1-100% OUTPUT
2	0-255	GREEN: 0 = OFF, 1-255 = DIMMER 1-100% OUTPUT
3	0-255	BLUE: 0 = OFF, 1-255 = DIMMER 1-100% OUTPUT
4	0-255	0 = Off , 1-255 = different colourmacros (36)
5	0-255	STROBE: 0-15 = OFF, 16-255 PULSE, SLOW – FAST
6	0-255	Special functions 0-31 = Inactiv 32-63 = Automatic Dimming (upwards) 64-95 = Automatic Dimming (downwards) 96-127 = Automatic Dimming (upwards / downwards) 128-159 = Automatic colourchase 160-191 = coincidence colour chase, 3 colours
7	0-255	MASTER: 0 = OFF, 1-255 = DIMMER 1-100% OUTPUT

## DMX SLAVE



→ The unit is controlled by the master unit

## 7. Program Mode

Program	Function
001	Colourchase Sequenz 1 (3 colours)
002	Colourchase I Sequenz 1 (7 colours)
003	Colourjunction (3 colour)
004	Colourjunction (7 colour)
005	Strobe Program (3 colours)
006	Colourchange Sequenz 2 (3 colours)
007	Colourchange Sequenz 2 (7 colours)
008	Colourchange (6 colours)

### Speed mode



Value	Function
000 → 031	Programspeed 000 = STOP, 001-031 fast → slow

### Sound mode



Value	Function
000 → 031	Sound sensitivity 000 = OFF, 001-031 low → high

## 8. Technical Data

Beam angle	10° (optional MFL 25° und WFL40°)
LED	12 x 3W 3in1 (RGB)
Ambient temperature	0°C – 40°C
Housing protection class	IP20
Power supply	AC 90V- 264V / 50/60Hz
Power consumption	Max 52 W
Measurements (L x W x H)	165 x 210 x 111mm
Weight	2,5 Kg

Importeur:

**B&K Braun GmbH**  
**Industriestraße 1**  
**D-76307 Karlsbad-Ittersbach**

[www.bkbraun.com](http://www.bkbraun.com)

[info@bkbraun.com](mailto:info@bkbraun.com)

