

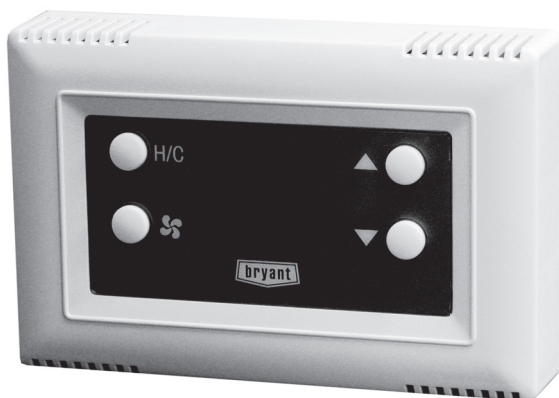


Installation Instructions



**Designed and Assembled
in the USA.**

US patents: US20060165149 A1, USD578026 SI, US6205041 B1



A07110

Legacy Line-RNC Non-Programmable Thermostat

NOTE: Read the entire instruction manual before starting the installation.

TABLE OF CONTENTS


	PAGE
SAFETY CONSIDERATIONS	1
INTRODUCTION	1
INSTALLATION CONSIDERATIONS	1
INSTALLATION	2
Step 1 — Thermostat Location	2
Step 2— Install Thermostat	2
Step 3 — Set Thermostat Configuration	2
Step 4 — Thermostat Operation	3
Step 5 — Check Thermostat Operation	3
WIRING DIAGRAMS	4

SAFETY CONSIDERATIONS

Improper installation, adjustment, alteration, service, maintenance, or use can cause explosion, fire, electrical shock, or other conditions which may cause death, personal injury, or property damage. Consult a qualified installer, service agency, or your distributor or branch for information or assistance. The qualified installer or agency must use factory-authorized kits or accessories when modifying this product. Refer to the individual instructions packaged with the kits or accessories when installing.

Follow all safety codes. Wear safety glasses, protective clothing, and work gloves. Have a fire extinguisher available. Read these instructions thoroughly and follow all warnings or cautions included in literature and attached to the unit. Consult local building codes and the current editions of the National Electrical Code (NEC) NFPA 70.

In Canada, refer to the current editions of the Canadian Electrical Code CSA C22.1.

Recognize safety information. This is the safety-alert symbol . When you see this symbol on the unit and in the instructions or manuals, be alert to the potential for personal injury.

Understand the signal words **DANGER**, **WARNING**, and **CAUTION**. These words are used with the safety-alert symbol. **DANGER** identifies the most serious hazards which **will** result in severe personal injury or death. **WARNING** signifies a hazard which **could** result in personal injury or death. **CAUTION** is used to identify unsafe practices which **may** result in minor personal injury or product and property damage. **NOTE** is used to highlight suggestions which **will** result in enhanced installation, reliability, or operation.

INTRODUCTION

The Legacy Line-RNC Series thermostat is an electronic 24VAC, non-programmable, manual changeover wall mount thermostat. This thermostat uses a single setpoint to maintain and control room temperature in both the heating and air conditioning modes. The thermostat is designed to maintain +/- 2°F accuracy. No batteries are required; temperature, fan, mode, and installer configuration settings are preserved with power off.

INSTALLATION CONSIDERATIONS

Air Conditioner Model

T1-NAC, Legacy Line-RNC Series Model air conditioner thermostat, may be wired with or without connecting a common wire between the indoor equipment and the thermostat. However, it is recommended to use a common wire whenever possible. Without a common wire this thermostat becomes “power stealing.” This means it will need to steal a small amount of power from the equipment to which it is connected.

NOTE: Not all HVAC equipment is compatible with power stealing type thermostats. All Bryant equipment is directly compatible with this thermostat except the Thermostat Conversion Kit, Part #TSTATXXCNCV10. For all non-Bryant equipment, consult the system equipment Installation Instructions before applying this thermostat in a power stealing manner.

Heat Pump Model

T1-NHP, Legacy Line-RNC Series Model heat pump thermostat, is compatible with all Bryant heat pump systems. It is NOT power stealing and **MUST** have both the R and C terminals connected to operate properly. This thermostat uses a green LED to indicate auxiliary heat and emergency heat operation.

INSTALLATION

Step 1 — Thermostat Location

Thermostat should be mounted:

- Approximately 5 ft (1.5m) from floor.
- Close to or in a frequently used room, preferably on an inside partitioning wall.
- On a section of wall without pipes or duct work.

Thermostat should NOT be mounted:

- Close to a window, on an outside wall, or next to a door leading to the outside.
- Exposed to direct light and heat from the sun, a lamp, fireplace, or other heat-radiating object which may cause a false reading.
- Close to or in direct airflow from supply registers and return-air grilles.
- In areas with poor air circulation, such as behind a door or in an alcove.

Step 2 — Install Thermostat

WARNING

ELECTRICAL SHOCK HAZARD

Failure to follow this warning could result in personal injury or death.

Before installing thermostat, turn off all power to unit. There may be more than 1 disconnect.

1. Turn OFF all power to unit.
2. If an existing thermostat is being replaced:
 - a. Remove existing thermostat from wall.
 - b. Disconnect wires from existing thermostat, one at a time. Be careful not to allow wires to fall back into wall.
 - c. As each wire is disconnected, record wire color and terminal marking.
 - d. Discard or recycle old thermostat.

CAUTION

ENVIRONMENTAL HAZARD

Failure to follow this caution may result in environmental damage.

Mercury is a hazardous waste. Federal regulations require that Mercury be disposed of properly.

3. Separate front and back (mounting base) assembly of thermostat.
4. Route thermostat wires through hole in mounting base. Level mounting base against wall (for aesthetic value only, thermostat need not be level for proper operation) and mark wall through 2 mounting holes.
5. Drill two 3/16-in. mounting holes in wall where marked.
6. Secure mounting base to wall with 2 anchors and screws provided making sure all wires extend through hole in plastic.
7. Strip 1/4 in. insulation from thermostat wire and adjust length to reach terminal block connector on mounting base. Match and connect proper wiring in accordance with wiring diagrams.
8. Push any excess wire back into wall. Seal hole in wall to prevent air leaks. Leaks can affect thermostat operation.

Any excess wire left inside thermostat casing may also affect thermostat operation by interfering with airflow across the temperature sensor.

9. Snap thermostat together making sure terminal block connector aligns, and assembly is secure.
10. Turn on power to unit.

On power up, depending on the thermostat model being used, the LCD readout will display either, AC or PC for air conditioner model (1-stage heat/1-stage cool), or HP or PH for heat pump model (2-stage heat/1-stage cool).

Step 3 — Set Thermostat Configuration

Configuration options allow the installer to configure the thermostat for a particular installation. These selections are intended to be made at installation and normally are not modified by the homeowner. Below is a list of available options followed by a description of each one.

Option 01 - Equipment Type

Option 03 - Fahrenheit or Centigrade operation

Option 04 - Enable fan (G) ON with heat (W)

Option 10 - O (reversing valve) On with Heat or Cool (present on Heat Pump model only)

Option 13 - Room temperature offset adjustment

Note that not all configuration option numbers are used in this product.

To Enter The Configuration Mode:

Press and hold FAN button for approximately 10 sec until room temperature disappears and the display reads "01". You are now in configuration mode.

NOTE: If FAN button is pressed again, or if no button is pressed for 3 minutes, the thermostat will exit configuration mode and return to normal operation. To re-enter configuration mode, the FAN button must be pressed and held for 10 sec again.

While in the configuration mode, the temperature display is used to show both the option number and the selected choice within each option. Each press of the H/C button alternates between the option number and the selection within that option. When the configuration mode is first entered, option 01 is displayed. The up and down buttons now move between the available option numbers. Once an option number is selected, press the H/C button once to display the currently selected choice within that option. The up and down buttons now move between the available choices within that option. After the new choice is made, press the H/C button again to return to the option number display. When finished with option selections, press FAN button once to exit the configuration mode.

Option 01 — Equipment Type

Selections: with HP thermostat: HP, AC, PH, or PC

with AC thermostat: AC or PC

Meanings:

PH or PC selects PTAC units (Packaged Terminal Air Conditioners) which are used in motel rooms and other rented spaces. When this option is selected, the display shows only the setpoint, not the room temperature. Also the compressor timeguard is disabled, allowing the compressor to turn on immediately when a demand is established.

HP or PH controls 1 speed heat pump with 1 stage of aux heat.

AC or PC controls 1 speed air conditioner with one stage of heat.

Note that this option allows a HP thermostat to be converted to control an AC system.

Option 03 — Fahrenheit/Centigrade Selection

This selection operates the thermostat in either Fahrenheit or Centigrade. Factory default is F.

Available Selection:

Use UP and DOWN buttons to change between F and C.

Option 04 — G (fan) ON with W (Heat) Selection

This selection determines whether G (fan) output is to be ON or OFF when W (furnace or strip heat) output is ON. Most furnaces and fan coils manage their own blowers and do not require a separate G signal. For these applications, select OFF. Some auxiliary heaters require a separate G signal from the thermostat to turn on the blower. In this case, select ON. Factory default is OFF (off).

Available Selection:

Use UP and DOWN buttons to change between ON and OFF.

Option 10 — O (reversing valve) On with Heat or Cool Selection

This selection is only available on heat pump model thermostats. This selection determines whether the reversing valve is energized in the heating or cooling mode. Factory default is C.

Available Selection:

Use UP and DOWN buttons to change between H and C.

Option 13 — Room Temperature Offset Adjustment

This option allows calibration (or deliberate miscalibration) of the room temperature sensor. There are various reasons why homeowners may want to have displayed temperature adjusted to a higher or lower value. The selected number is the number of degrees, plus or minus, which will be added to actual temperature.

The numbers can range between -5 and +5. Factory default is 0.

Available Selection:

Use UP and DOWN buttons to now move between -5 and +5 in increments of 1.

Step 4 — Thermostat Operation**Temperature Display**

Thermostat will display room temperature until UP or DOWN button is pressed. The word SET appears when these buttons are pressed and the current setpoint is displayed. If no buttons are pressed for 5 sec, the display will change back to show room temperature.

Timeguard Timer

A 5-minute timeguard is built into the thermostat immediately upon power up, and any time the compressor turns off. The compressor will not turn on until the timeguard has expired. The timeguard affects only compressor operation. Pressing UP and FAN buttons simultaneously will override the timeguard for 1 cycle. With PH or PC selected under Option 01, this timer is defeated.

Cycle Timer

In normal heating and cooling operation the thermostat will not allow more than 4 equipment cycles per hour (or 1 cycle every 15 minutes). Both the Y and W outputs have a 15-minute timer that starts counting down when the output is turned on, (e.g., if Y

output is turned on for 9 minutes and then satisfies, it cannot turn back on for another 6 minutes regardless of demand). However, pressing UP and FAN buttons simultaneously or changing the setpoint will override the timer for 1 cycle.

Minimum on Timer

Once the equipment has turned on, it will remain on for a minimum of 3 minutes regardless of demand. However, the equipment can turn off in less than 3 minutes if a change in setpoint or a change in mode occurs.

Staging Timer

If the thermostat is a heat pump model, it has 2-stage heat capability. With HP operation, there is a 15-minute delay between the first and second stages of heat. The Y output will energize first, then 15 minutes later, W is allowed to come on if the thermostat determines it is not satisfying the demand.

However, if the heating demand is greater than 5°F, there will be only a 30 second delay before bringing on W.

Auxiliary Heat Indicator

A green LED indicates the use of auxiliary heat or emergency heat.

Error Messages

“--” (two dashes) will be displayed if the thermostat cannot properly read room temperature. If “--” appears, replace thermostat.

E4 will be displayed if the thermostat has an internal memory failure. If E4 appears, replace thermostat.

Step 5 — Check Thermostat Operation**Fan Operation**

1. Press FAN button. This will start continuous fan operation. FAN annunciator will turn on.
2. Press FAN button again. This will stop continuous fan operation. FAN annunciator will turn off.

Heating Operation

1. Press H/C button until HEAT is displayed.
2. Press UP button until LCD readout reads 3°F above room temperature. Press UP and FAN buttons simultaneously to defeat timers. Heating system should begin to operate immediately.
3. For HP thermostats only, press H/C button until EMHT (emergency heat) appears. Press UP and FAN buttons simultaneously to defeat timers. Emergency heating (W is ON, Y is OFF) should begin immediately.

Cooling Operation

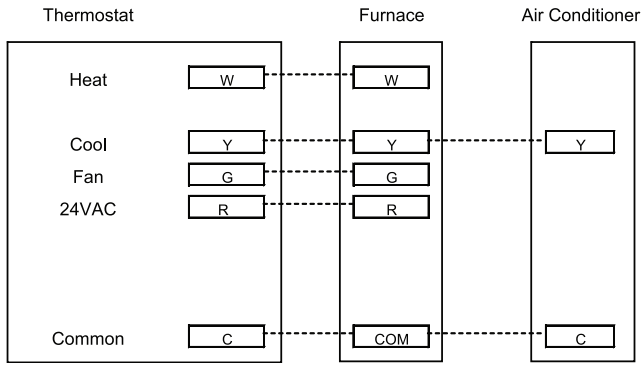
1. Press H/C button until COOL is displayed.
2. Press DOWN button until LCD readout reads 3°F below room temperature. Press UP and FAN buttons simultaneously to defeat timers. Cooling system should begin to operate immediately.

Table 1 shows the thermostat outputs for each available stage of heating or cooling. It may be useful in checkout or troubleshooting.

Table 1 – Outputs

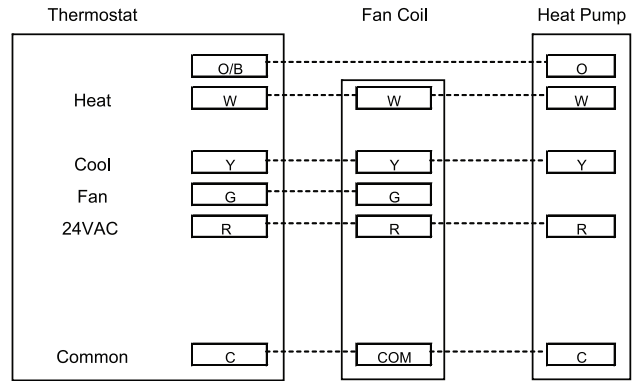
EQUIPMENT CONFIGURATION OPTION #1	THERMOSTAT FACTORY CONFIGURATION	COOL STAGE 1	HEAT STAGE 1	HEAT STAGE 2	EM HEAT
AC, PC	AC, HP	Y, G	W	--	--
HP, PH RVS = C	HP	Y, G, O/B	Y, G	Y, G, W	W
HP, PH RVS = H	HP	Y, G	Y, G, O/B	Y, G, W, O/B	W

WIRING DIAGRAMS



A06566

Fig. 1 - A/C Thermostat Typical Installation



A06567

Fig. 2 - HP Thermostat Typical Installation

Homeowner's Guide



Designed and Assembled
in the USA.



A07110

Legacy Line—RNC Non—Programmable Thermostat

1. To Select the Mode:

Use the H/C button to move between the choices. OFF, HEAT, COOL, or EMHT will appear on the display. EMHT will only appear on heat pump models.

2. To Select the Fan Operation:

Use the FAN button to move between continuous fan (indicated by the FAN ON icon) and auto fan operation.

3. To Read the Room Temperature:

The large display reads room temperature until a button is pressed.

4. To Adjust the Setpoint:

In normal operation, the large display shows room temperature. At the first press of the UP or DOWN button, the large display shows the current setpoint and the SET TEMP icon is turned on. Further presses of the UP or DOWN button adjust the setpoint upward or downward. Five seconds after the last button press, the display returns to the room temperature and the SET TEMP icon turns off.

TROUBLESHOOTING

What if there is a green light on in the upper corner of the display area?

This thermostat uses a green LED to indicate auxiliary heat and emergency heat operation on the Heat Pump model. This green light means one of two things.

1. Auxiliary Heat is on:

This light turns on automatically when the system determines that it's too cold outside for your heat pump to heat the house without help. So, it's getting help from the electric heaters.

NOTE: This indicator does not reflect a problem with your system.

2. Emergency Heat is on:

If the heat pump is not working properly, you can manually select the emergency heat for extra help in heating. You'll know there's a problem if the house can't seem to get warm when it's cold outside.

You want to avoid using emergency heat, though, because it's the most expensive option. And, of course, if you suspect a problem with your heat pump, call your heating and cooling dealer immediately.



Bryant Heating & Cooling Systems

Limited Warranty for Thermostats

FOR WARRANTY SERVICE OR REPAIR:

Contact the installer or a Bryant dealer. You may be able to find the installer's name on the equipment or in your Owner's Packet. You can also find a Bryant dealer online at www.bryant.com

For help, contact: Bryant Heating & Cooling Systems, Consumer Relations, P.O. Box 4808, Syracuse, New York 13221, Phone 1-800-428-4326

PRODUCT REGISTRATION: You can register your product online at www.bryant.com.

Model Number _____ Serial Number _____
 Date of Installation _____ Installed by _____
 Name of Owner _____ Address of Installation _____

Bryant Heating & Cooling Systems (hereinafter "Company") warrants this product against failure due to defect in materials or workmanship under normal use and maintenance as follows. All warranty periods begin on the date of original installation. If a part fails due to defect during the applicable warranty period Company will provide a new or remanufactured part, at Company's option, to replace the failed defective part at no charge for the part. Alternatively, and at its option, the Company will provide a credit in the amount of the then factory selling price for a new equivalent part toward the retail purchase price of a new Company product. Except as otherwise stated herein, those are Company's exclusive obligations under this warranty for a product failure. This limited warranty is subject to all provisions, conditions, limitations and exclusions listed below and on the reverse (if any) of this document.

OWNER-OCCUPIED, RESIDENTIAL APPLICATIONS

This warranty is to the original purchasing owner and is transferable only to the extent and as stated in the Warranty Conditions and below. The warranty period in years, depending on the part and the claimant, is as shown in the chart below.

Product	Limited Warranty (Years)	
	Original Owner	Subsequent Owner
T6, T2, T1 Thermostats***	10* (or 5)	5

* If properly registered within 90 days, otherwise 5 years (except in California and Quebec and other jurisdictions that prohibit warranty benefits conditioned on registration, registration is not required to obtain longer warranty periods). See Warranty Conditions below.

*** Applies only to Thermostats. Active electronic finished good accessories, such as the optional ExP module, have different warranty terms. See product for details.

OTHER RESIDENTIAL APPLICATIONS (Apartments, Rental Properties, etc.)

The warranty period is five (5) years. The warranty is to the original owner only and is not transferable.

OTHER APPLICATIONS

The warranty is one (1) year on all such applications. The warranty is to the original owner only and is not transferable.

LEGAL REMEDIES: The owner must notify the Company in writing, by certified or registered letter to Bryant Heating & Cooling Systems, Warranty Claims, P.O. Box 4808, Syracuse, New York 13221, of any defect or complaint with the product, stating the defect or complaint and a specific request for repair, replacement, or other correction of the product under warranty, mailed at least thirty (30) days before pursuing any legal rights or remedies.



THERMOSTAT LIMITED WARRANTY

WARRANTY CONDITIONS:

1. To obtain the longer warranty periods as shown in the table under original owner, for the original purchaser, the product must be properly registered at www.bryant.com within ninety (90) days of original installation. In jurisdictions where warranty terms conditioned on registration are prohibited by law, registration is not required and the longer warranty period shown will be apply.
2. Where a product is installed in a newly constructed home, the date of installation is the date the homeowner purchased the home from the builder.
3. If the date of original installation cannot be verified, then the warranty period begins ninety (90) days from the date of product manufacture (as indicated by the model and serial number). Proof of purchase may be required at time of service.
4. The remainder of the first five years of warranty is freely transferable without registration.
5. Product must be installed properly and by a licensed HVAC technician.
6. The warranty applies only to products remaining in their original installation location.
7. Installation, use, care, and maintenance must be normal and in accordance with instructions contained in the Installation Instructions, Owner's Manual and Company's service information.
8. Defective parts must be returned to the distributor through a registered servicing dealer for credit.

LIMITATIONS OF WARRANTIES: ALL IMPLIED WARRANTIES AND/OR CONDITIONS (INCLUDING IMPLIED WARRANTIES OR CONDITIONS OF MERCHANTABILITY AND FITNESS FOR A PARTICULAR USE OR PURPOSE) ARE LIMITED TO THE DURATION OF THIS LIMITED WARRANTY. SOME STATES OR PROVINCES DO NOT ALLOW LIMITATIONS ON HOW LONG AN IMPLIED WARRANTY OR CONDITION LASTS, SO THE ABOVE MAY NOT APPLY TO YOU. THE EXPRESS WARRANTIES MADE IN THIS WARRANTY ARE EXCLUSIVE AND MAY NOT BE ALTERED, ENLARGED, OR CHANGED BY ANY DISTRIBUTOR, DEALER, OR OTHER PERSON, WHATSOEVER.

THIS WARRANTY DOES NOT COVER:

1. Labor or other costs incurred for diagnosing, repairing, removing, installing, shipping, servicing or handling of either defective parts, or replacement parts, or new units.
2. Any product purchased over the Internet.
3. Normal maintenance as outlined in the installation and servicing instructions or Owner's Manual, including filter cleaning and/or replacement and lubrication.
4. Failure, damage or repairs from faulty installation, misapplication, abuse, improper servicing, unauthorized alteration or improper operation.
5. Failure to start due to voltage conditions, blown fuses, open circuit breakers, or damages due to the inadequacy or interruption of electrical service.
6. Failure or damage due to floods, winds, fires, lightning, accidents, corrosive environments (rust, etc) or other conditions beyond the control of Company.
7. Parts not supplied or designated by Company, or damages resulting from their use.
8. Products installed outside the U.S.A. or its territories and Canada.
9. Electricity or fuel costs, or increases in electricity or fuel costs from any reason whatsoever, including additional or unusual use of supplemental electric heat.
10. Any cost to replace, refill or dispose of refrigerant, including the cost of refrigerant.
11. **ANY SPECIAL, INDIRECT OR CONSEQUENTIAL PROPERTY OR COMMERCIAL DAMAGE OF ANY NATURE WHATSOEVER.** Some states or provinces do not allow the exclusion of incidental or consequential damages, so the above limitation may not apply to you.

This Warranty gives you specific legal rights, and you may also have other rights which vary from state to state or province to province.

39004DP479

08/2011

