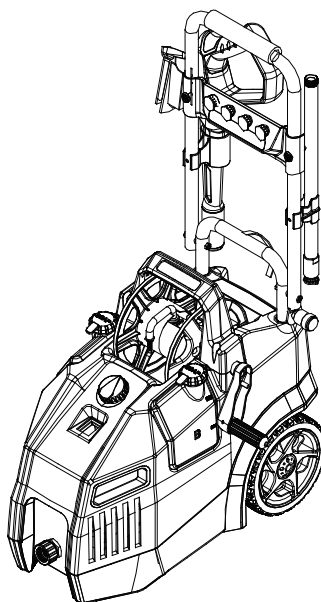




140 Bar / 380 L/H
ELECTRIC PRESSURE WASHER
51037



CE

OPERATOR'S MANUAL

Read all safety rules and instructions carefully before operating this tool.

ENGLISH(Original Instructions)

INTENDED USE

- The cleaner is intended only for the cleaning of vehicles, boats, buildings, etc. by the removal of stubborn dirt using clean water and chemical detergents. .
- For domestic use only, not for professional use, and only for operation at temperatures above 0° C .

INTRODUCTION

This product has many features for making its use more pleasant and enjoyable. Safety, performance, and dependability have been given top priority in the design of this product making it easy to maintain and operate.

When using power tools, basic safety precautions should always be taken to reduce the risk of fire, electric shock and personal injury. Also, please read and heed the advice given in the additional safety instructions.

This appliance is not intended for use by persons (including children) with reduced physical, sensory or mental capabilities, or lack of experience and knowledge, unless they have been given supervision or instruction concerning use of the appliance by a person responsible for their safety.

Children should be supervised to ensure that they do not play with the appliance.

IMPORTANT SAFETY INSTRUCTIONS



WARNING:

Read and understand all instructions. Failure to follow all instructions listed below may result in electric shock, fire, and/or serious personal injury.

Learn the machine's applications and limitations as well as the specific potential hazards related to this tool by studying this manual. **Follow the maintenance instructions specified in this manual.**

Never operate the pressure washer with any guard or cover removed or damaged.

Do not operate the product while under the influence of drugs, alcohol, or any medication.

Do not wear loose clothing, gloves, neckties, or jewellery. They can get caught and draw you into moving parts. Rubber gloves and non-skid footwear are recommended when working outdoors. Also wear protective hair covering to contain long hair. Wear footwear that will protect your feet and improve your grip on slippery surfaces.

Always wear safety glasses with side shields.

Don't overreach or stand on unstable support. Keep proper footing and balance at all times.



WARNING:

High pressure jets can be dangerous if subject to misuse. The jet must not be directed at persons, animals, electrical devices, or the machine itself.



WARNING:

When using power tools, basic safety precautions should always be taken to reduce the risk of fire, electric shock and personal injury.



WARNING:

This Appliance has been designed for use with the cleaning agent supplied or recommended by the manufacturer. The use of other cleaning agents or chemicals may adversely affect the safety of the appliance.



WARNING:

Don't use the appliance within range of persons unless they wear protective clothing

The electric supply connection shall be made by a qualified electrician and comply with IEC60364-1.

Only connect this machine only to a supply circuit protected by a residual current device (RCD) with a tripping current of not more than 30mA.

Use only extension cords that have watertight connections and are intended for outdoor use. Use only extension cords having an electrical rating not less than the rating of the product. Examine extension cord before using and replace if damaged. Do not abuse extension cord and do not pull on any cord to disconnect. Keep cord away from heat and sharp edges. Always disconnect the extension cord from the receptacle before disconnecting the product from the extension cord.

Do not direct the jet against yourself or others in order to clean clothes or foot-wear.

Disconnect from the electrical power supply before carrying out user maintenance.

To ensure appliance safety, use only original spare parts from the manufacturer or approved by the manufacturer.

Do not use the appliance if a supply cord or important parts of the appliance are damaged, e.g. safety devices, high pressure hoses, trigger gun.

If an extension cord is used, the plug and socket must be of watertight construction



WARNING:

Inadequate extension cords can be dangerous.

**WARNING:**

To reduce the risk of electrocution, keep all connections dry and off the ground. Do not touch plug with wet hands.

To reduce the risk of injury, High pressure cleaners shall not be used by children or untrained personnel. Keep children and visitors away. All visitors should wear safety glasses and be kept a safe distance from work area.

Use correct product. Don't force product or attachment to do a job it was not designed for. Don't use it for a purpose not intended.

Use only recommended accessories. The use of improper accessories may cause risk of injury.

Never leave product running unattended. Turn power off. Don't leave product until it comes to a complete stop.

Keep the motor free of grass, leaves, or grease to reduce the chance of a fire hazard.

Keep product dry, clean, and free from oil and grease. Always use a clean cloth when cleaning. Never use brake fluids, gasoline, petroleum-based products, or any solvents to clean product.

Check the work area before each use. Remove all objects such as rocks, broken glass, nails, wire, or string which can be thrown or become entangled in the machine.

Do not use product if switch does not turn it off. Have defective switches replaced by an authorized service centre.

Avoid dangerous environments. Don't expose to rain. Keep work area well lit.

Do not abuse the cord. Never use the cord to carry the product or to disconnect the plug from an outlet. Keep cord away from heat, oil, sharp edges, or moving parts. Replace damaged cords immediately. Damaged cords increase the risk of electric shock.

Inspect extension cords periodically and replace if damaged. Keep handles dry, clean, and free from oil or grease.

Before starting any cleaning operation, close doors and windows. Clear the area to be cleaned of debris, toys, outdoor furniture, or other objects that could create a hazard.

Do not use acids, alkalines, solvents, flammable material, bleaches, or industrial grade solutions in this product. These products can cause physical injuries to the operator and irreversible damage to the machine.

Keep the motor away from flammables and other hazardous materials.

Check bolts and nuts for looseness before each use. A loose bolt or nut may cause serious motor problems.

Before storing, allow the motor to cool.

When servicing use only identical replacement parts. Use of any other parts may create a hazard or cause product damage.

ONLY use cold water.

Make sure minimum clearance of 1 metre is maintained from combustible materials.

Connect pressure washer only to an individual branch circuit.

Hold the gun and lance securely with both hands.

Expect the gun to move when the trigger is pulled due to reaction forces. Failure to do so could cause loss of control and injury to yourself and others.

Save these instructions. Refer to them frequently and use them to instruct other users. If you lend someone this product, lend them these instructions also.






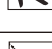




**WARNING:**

High pressure hoses, fittings and couplings are important for the safety of the appliance. Use only hoses, fittings and couplings recommended by the manufacturer.

ENGLISH(Original Instructions)




SYMBOLS

Some of the following symbols may be used on this product. Please study them and learn their meaning. Proper interpretation of these symbols will allow you to operate the product better and safer.

SYMBOL	NAME	DESIGNATION/EXPLANATION
	Safety Alert	Indicates a potential personal injury hazard.
V	Volts	Voltage
A	Amperes	Current
Hz	Hertz	Frequency (cycles per second)
W	Watt	Power
min	Minutes	Time
~	Alternating Current	Type of current
no	No Load Speed	Rotational speed, at no load
.../min	Per Minute	Revolutions, strokes, surface speed, orbits etc., per minute
	Wet Conditions Alert	Do not expose to rain or use in damp locations.
	Read The Operator's Manual	To reduce the risk of injury, user must read and understand operator's manual before using this product.
	Eye Protection	Always wear safety goggles or safety glasses with side shields and, as necessary, a full face shield when operating this product.
	Risk of Injection	To reduce the risk of injection or injury, never direct a water stream towards people or pets or place any body part in the stream. Leaking hoses and fittings are also capable of causing injection injury. Do not hold hoses or fittings.
	Kickback	To reduce the risk of injury from kickback, hold the spray lance securely with both hands when the machine is on.
	Electric Shock	Failure to use in dry conditions and to observe safe practices can result in electric shock.
	Risk of Explosion	Fuel and its vapours are explosive and can cause severe burns or death.
	Risk of injury	Warning! Never point the gun to human, animals, the machine body, power supply or any electric appliances
	Do not connect to drinking water supply without backflow preventer	Appliance not suitable for connection to the drinking water mains without backflow preventer.


ENGLISH(Original Instructions)


The following signal words and meanings are intended to explain the levels of risk associated with this product.

SYMBOL	SIGNAL	MEANING
	DANGER:	Indicates an imminently hazardous situation, which, if not avoided, will result in death or serious injury.
	WARNING:	Indicates a potentially hazardous situation, which, if not avoided, could result in death or serious injury.
	CAUTION:	Indicates a potentially hazardous situation, which, if not avoided, may result in minor or moderate injury.
	CAUTION:	(Without Safety Alert Symbol) Indicates a situation that may result in property damage.

SERVICE

Servicing requires extreme care and knowledge and should be performed only by a qualified service technician. For service we suggest you return the product to the nearest **AUTHORIZED SERVICE CENTRE** for repair. When servicing, use only identical replacement parts.

 **WARNING:** To avoid serious personal injury, do not attempt to use this product until you read thoroughly and understand completely the operator's manual. If you do not understand the warnings and instructions in the operator's manual, do not use this product. Call Greenworks Tools customer service for assistance.

 **WARNING:** The operation of any power tool can result in foreign objects being thrown into your eyes, which can result in severe eye damage. Before beginning power tool operation, always wear safety goggles or safety glasses with side shields and, when needed, a full face shield.

SAVE THESE INSTRUCTIONS

ELECTRICAL

ELECTRICAL CONNECTION

This product has a precision-built electric motor. It should be connected to a **power supply that is 220V-240V volts, 50 Hz, AC only (normal household current)**. Do not operate this product on direct current (DC). A substantial voltage drop will cause a loss of power and the motor will overheat. If the product does not operate when plugged into an outlet, double-check the power supply.

EXTENSION CORDS

See Figure 1.

The cross-section of any extension cables used must be proportional to their length, i.e. the longer the extension cable, the greater the cross-section; cables with a protection level of "IPX5" must be used.

Use the chart to determine the minimum wire size required in an extension cord.

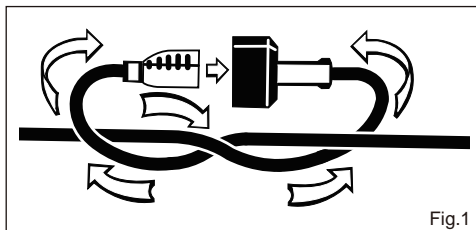




Fig.1

Motor	Voltage	Extension cable up to 25m	Extension cable up to 50m
	220-240v	section 3 x 1.5mm ²	section 3 x 2.5mm ²

 **WARNING:** Keep the extension cord clear of the working area. Position the cord so that it will not get caught on lumber, tools, or other obstructions while you are working with a power tool. Failure to do so can result in serious personal injury.

 **WARNING:** Check extension cords before each use. If damaged replace immediately. Never use the product with a damaged cord since touching the damaged area could cause electrical shock resulting in serious injury.

ENGLISH(Original Instructions)

PRODUCT SPECIFICATIONS

Maximum Water Temperature	
Rated Voltage	220-240V ~ 50 Hz
Rated Pressure	10.5 MPa
Permissible Pressure	14 MPa
Power Rating	1800 W
Rated Water Flow	4.6 l/min
Maximum Water Flow	6.3 l/min
Maximum Water Inlet Pressure	0.7 MPa
Maximum Water Inlet Temperature	40 °C
LPA(sound pressure level)	82 dB(A) K=3dB(A)
LWA(sound power level)	94 dB(A)
Protection Degree	IP X5
Vibration	4.0 m/s ² K=1.5 m/s ²

DESCRIPTION

KNOW YOUR PRESSURE WASHER

See Figure 2.

The safe use of this product requires an understanding of the information on the product and in this operator's manual as well as a knowledge of the task you are attempting.

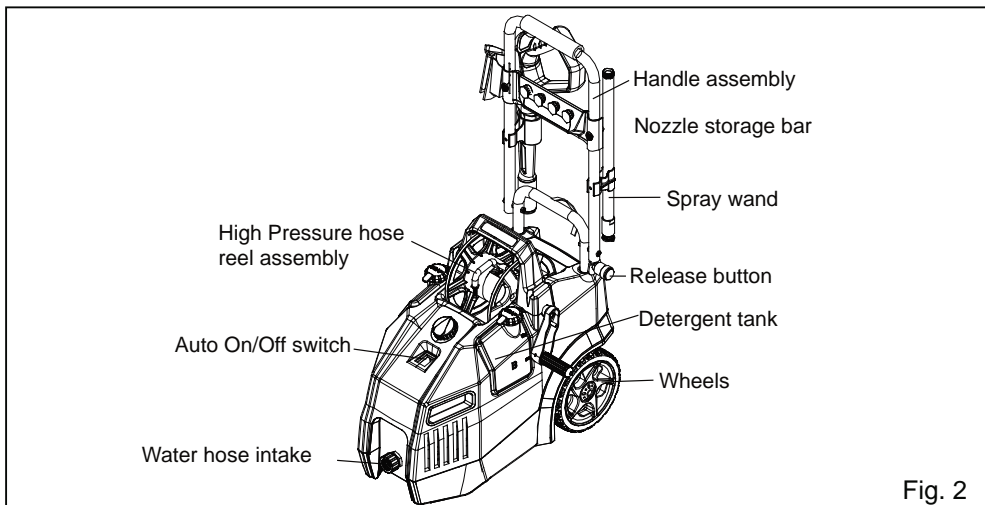


Fig. 2

ENGLISH(Original Instructions)

Before using this product, familiarize yourself with all operating features and safety rules.

DETERGENT TANK

Remove the cap from the detergent tank to add detergent to the pressure washer.

HIGH PRESSURE TRIGGER

Depressing this trigger allows you to dispense water at high pressure.

HIGH PRESSURE TRIGGER LOCK-OUT

The trigger lock-out prevents accidental use of the high-pressure trigger.

ON/OFF SWITCH

This switch turns the pressure washer on and off.

FOLDING HANDLE

The Folding handle allows the handle to be lowered for convenient storage.

TRIGGER AND WAND ASSEMBLY

The Trigger and Wand allows you to operate the pressure washer by depressing the trigger to activate the pump to spray water using the desired nozzle tip.

ASSEMBLY

UNPACKING

This product requires assembly.

- Carefully cut the box down the sides then remove the product and any accessories from the box.



WARNING:

This new product has been shipped in a partially assembled condition as described below.

If in doubt, call Greenworks Tools Customer Service for assistance. Operation of a product that may have been improperly preassembled could result in serious personal injury.

- Inspect the product carefully to make sure no breakage or damage occurred during shipping.
- Do not discard the packing material until you have carefully inspected and satisfactorily operated the product.
- If any parts are damaged or missing, please call Greenworks Tools Customer Service for assistance.



WARNING:

If any parts are damaged or missing do not operate this product until the parts are replaced. Use of this product with damaged or missing parts could result in serious personal injury.



WARNING:

Do not attempt to modify this product or create accessories not recommended for use with this product. Any such alteration or modification is misuse and could result in a hazardous condition leading to possible serious personal injury.



WARNING:

Do not connect to power supply until assembly is complete. Failure to comply could result in accidental starting and possible serious personal injury.

OPERATING THE HANDLE ASSEMBLY (See Figure 3.)

- Open for use: Lift up on the handle bar pivoting it towards the back into an upright position until it clicks and locks into place.
- To fold the handle, pull the latch sideways, and push the handle down and forward.

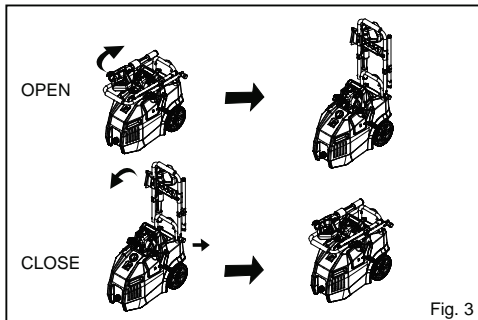


Fig. 3

ASSEMBLING THE SPRAY WAND (See Figure 4.)

- Installing Wand to Pressure Washer Gun
Insert the male bayonet end(1) of the wand into the female bayonet outlet(3) firmly .While pushing in the wand firmly ,turn clockwise(2)until tabs lock into place to ensure a leak-free connection .

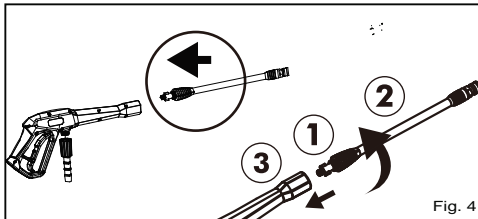
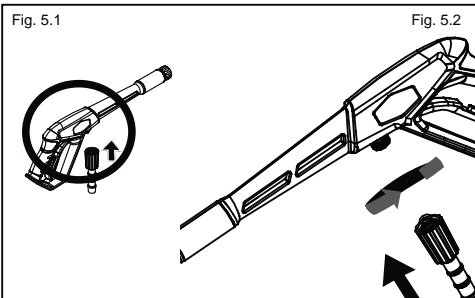


Fig. 4

CONNECTING HIGH PRESSURE HOSE TO TRIGGER HANDLE (See Figure 5.)

- Align the pressure hose with the trigger handle and push up and into position. (Fig. 5.1)
- With hose pushed into position on the trigger handle secure in place by turning the hose lock clockwise until fully tightened. (Fig 5.2)

**CONNECTING THE GARDEN HOSE TO THE PRESSURE WASHER**

The water supply must come from a water main. NEVER use hot water or water from ponds, lakes, etc. Before connecting the garden hose to the pressure washer:

- Run water through the garden hose for 120 seconds to clean any debris from the hose.
- Inspect the filter screen in the end of the pressure washer intake.
 - If the filter is damaged, do not use the machine until the screen has been replaced.
 - If the filter is dirty, clean it before connecting the garden hose to the machine.

**CAUTION:**

When connecting the appliance to the water supply mains (not public drinking water supply mains), please observe the local regulations of local boards or local water supplier.

To ensure that there is no feedback of contaminant into the water supply, the appliance must not be connected directly to the public drinking water supply mains.

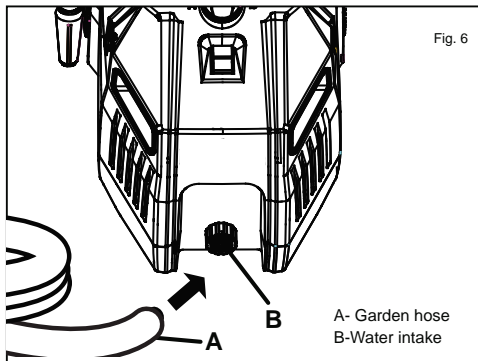
If the appliance is connected to potable water mains, backflow prevention devices should be incorporated in or fixed to the water supply system. The installation should be accepted by local boards or water supplier and should be conducted by professional technical personnel. The backflow prevention devices should be appropriate to fluid categories and comply with the requirement to avoid back siphonage according to EN 60335-2-79/A2: 2007.

To connect the garden hose to the pressure washer:

- Uncoil the garden hose.

NOTE: There must be a minimum of 3 metres of unrestricted garden hose between the pressure washer intake and the garden tap.

- With the garden tap turned completely off, attach the end of the garden hose to the coupler on the pressure washer water intake. Tighten by hand. water that has flown through backflow preventers is considered to be non-potable.

**OPERATION****Applications**

This pressure washer can be used for the purposes listed below:

- Removing dirt and mould from decks, cement patios, and walls.
- Cleaning cars, boats, motorcycles, outdoor furniture and barbeques.

DETERGENT ADDING AND USE (See Figure 7-1.)

Use only detergents designed for pressure washers; household detergents, acids, alkalines, bleaches, solvents, flammable material, or industrial grade solutions can damage the pump. Many detergents may require mixing prior to use. Prepare cleaning solution as instructed on the solution bottle.

SOAP APPLICATION

Soap is applied under low pressure high volume for optimum performance

Soap can not be applied under high pressure with this machine

To add:

- Place pressure washer upright on a flat surface
- Remove cap from detergent tank
- Pour detergent into tank

CAUTION

Use only approved pressure washer cleaners. Do not use bleach, chlorine, or any cleaners containing acids.

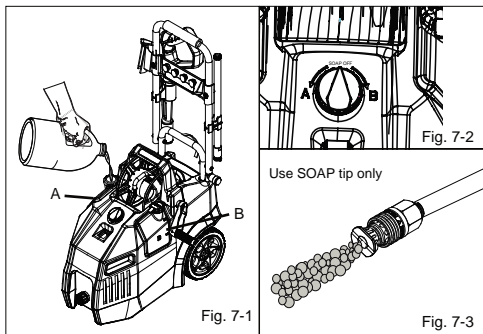
To use:

The dial is used to control the suction between detergent tanks and increase/decrease detergent flow.

- Turn dial to choose the desired tank. (See Figure 7-2.)
- Connect low pressure black soap nozzle to the wand connector. (See Figure 7-3.)
- Squeeze the trigger and the detergent will automatically be mixed with the water and dispensed from the nozzle.

NOTE: Use a funnel, if needed, to prevent accidental spilling of the detergent outside the tank. If any detergent is spilled during the filling process, make sure the unit is cleaned and dried before proceeding.

- Reinstall cap.



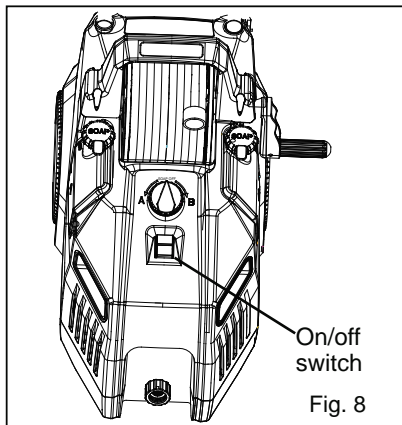
STARTING AND STOPPING THE PRESSURE WASHER (See Figure 8.)

CAUTION :

Do not run the pump without the water supply connected and turned on.

- Connect the garden hose.
- Turn the garden hose on then squeeze the trigger and hold for 120 seconds to relieve air pressure. Once a steady stream of water appears, release the trigger.

NOTE: If the pressure washer pulsates and the water stream is intermittent turn the pressure washer off and continue to bleed air out of the system. Ensure to check that the garden hose is fully turned on and not kinked which could prevent air in the system and pulsating. This process could take minimum of 120 seconds or longer.



- After ensuring the On/Off switch is in the OFF (O) position, connect the pressure washer to the power supply.
- Press the reset button on the pressure washer's plug to make sure the unit is ready for operation.
- Press ON (I) on the switch to start the motor.
- To stop the motor, release the trigger and press OFF (O) on the switch.

NOTE: The pressure washer may be on and the system may have pressure even when the pump and/or motor cannot be heard running. Always use caution around the pressure washer.

ENGLISH(Original Instructions)

WARNING

Hold the trigger handle securely with both hands. Expect the trigger handle to move when the trigger is pulled due to reaction forces. Failure to do so could cause loss of control and injury to yourself and others.

NOTE: AUTO ON/OFF SWITCH: This Pressure washer is equipped with an Auto Start/Stop feature. To operate: Press power switch On (I). Pump will pressurize and shut down immediately. Once the trigger of the gun is depressed the unit will turn on. Unit will shut off and be in standby mode when trigger is released.

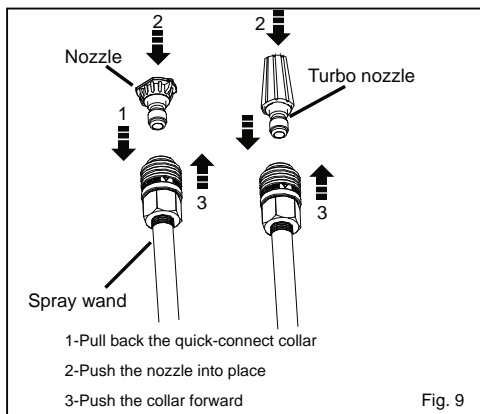
Soap is applied under low pressure high volume for optimum performance.






Soap cannot be applied under high pressure with this machine.

USING THE NOZZLES (See Figure 9.)

Each of the nozzles has a different spray pattern. Before starting any cleaning job, determine the best nozzle for the job. The following chart offers some general guidelines to help you choose the best nozzle for your application.

NOTE: Always try nozzles in an inconspicuous area first.



NOZZLE	APPLICATION
	Red - Stream nozzle (0°) • The Red 0 degree tip provides a straight line of spray. It provides the highest amount of pressure. It is best used for removing hard, stuck-on grime or dirt.
	Green - Narrow fan tip (25°) • The Green pressure washer tip provides high versatility with its 25 degree angle tip. Referred to as the washing tip, because it provides adequate pressure to remove dirt from surfaces, but is designed to not damage many surfaces. This pressure washer tip is designed for "sweeping" foliage or debris given its wide angle. This tip is versatile due to its wide area of cleaning and strong pressure application.
	White -Wide fan tip(40°) • The white 40 degree tip, referred to as the "fan" tip creates the widest area of cleaning with relatively low pressure. This pressure washer tip is best used for light or delicate cleaning applications. It is recommended for light cleaning on wood decks and other soft or delicate surfaces.
	Black - Soap nozzle tip • The black soap degree tip, referred to as the low pressure nozzle. This is for use with soap application. Soap is applied under low pressure high volume for optimum performance. Soap cannot be applied under high pressure with this machine.
	Turbo Nozzle Tip • The nozzle rotates in a zero to 15 degree spray pattern in a circular motion to break down tough dirt and grime. The spray pattern can cover area of 4 to 8 inches wide, depending on a distance between the tip and the surface being cleaned.

WARNING

NEVER change nozzles without engaging the lock-out on the trigger handle and NEVER point the wand at your face or at others. The quick-connect feature contains small springs that could eject the nozzle with some force. Failure to heed this may cause personal injury.

- Turn off the pressure washer and shut off the water supply. Pull trigger to release water pressure.
- Engage the lock-out on the trigger handle by pushing the trigger lock button to the right.
- Pull back the quick-connect collar.
- Push the nozzle into place in the spray wand.
- Push the collar forward so that the nozzle is secured properly. Check to see that the nozzle is secure.

TO DISCONNECT A NOZZLE FROM THE TRIGGER HANDLE ONCE THE CLEANING JOB IS COMPLETE:

- Turn off the pressure washer and shut off the water supply. Pull trigger to release water pressure.
- Remove the nozzle by placing hand over nozzle then pulling back the quick-connect collar. Place nozzle in the nozzle storage area on the trigger handle.

To clean:

- Pour detergent in the detergent tank.
- Install the black soap nozzle on the spray wand.
- Start the pressure washer and spray the detergent on a dry surface using long, even, overlapping strokes. To prevent streaking, do not allow detergent to dry on the surface.

To rinse:

- Turn the detergent dial to the OFF position.
- Spray away from the rinsing surface for approximately 10 seconds to allow any remaining detergent to be flushed from the hose.
- Start at the top of the area to be rinsed and work down, overlapping the strokes.

STORING THE PRESSURE WASHER

Store in a dry, covered, frost-free area where the weather can't damage it. Always empty water from gun, hose and pump.

NOTE:

The use of a pump protector is recommended to prevent cold weather damage during storage over the winter months.

MAINTENANCE

WARNING:
When servicing, use only identical replacement parts. Use of any other parts may create a hazard or cause product damage.

WARNING:
Before inspecting, cleaning, or servicing the machine, shut off motor, wait for all moving parts to stop, and disconnect plug from power source. Failure to follow these instructions can result in serious personal injury or property damage.

GENERAL MAINTENANCE

Avoid using solvents when cleaning plastic parts. Most plastics are susceptible to damage from various types of commercial solvents and may be damaged by their use. Use clean cloths to remove dirt, dust, oil, grease, etc.

WARNING:
Do not at any time let brake fluids, petrol, petroleum based products, penetrating oils, etc., come in contact with plastic parts. Chemicals can damage, weaken or destroy plastic which may result in serious personal injury. Only the parts shown on the parts list

are intended to be repaired or replaced by the customer. All other parts should be replaced at an authorized service centre.

POWER SUPPLY CORD REPLACEMENT

If replacement of the power supply cord is necessary, this must be done by an authorized service centre in order to avoid a safety hazard.

NOZZLE MAINTENANCE

Excessive pump pressure (a pulsing sensation felt while squeezing the trigger) may be the result of a clogged or dirty nozzle.

- Unplug the pressure washer.
- Turn off the pressure washer and shut off the water supply. Pull trigger to release water pressure.
- Remove the nozzle from the lance.

NOTE: Never point the spray lance at your face.

- Using a straightened paper clip or nozzle cleaning tool, free any foreign materials clogging or restricting the nozzle.
- Using a garden hose, clear/flush debris out of nozzle.
- Reconnect the nozzle to the lance.
- Turn on the water supply.

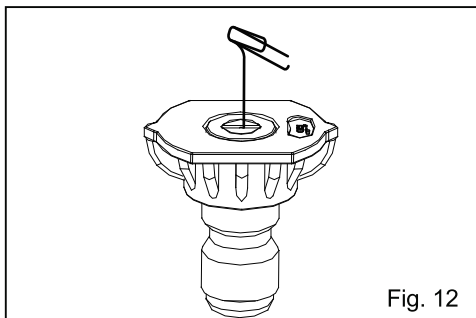


Fig. 12

ENGLISH(Original Instructions)

PROBLEM	POSSIBLE CAUSE	SOLUTION
Motor will not start.	On/Off switch is in the "OFF" (O) position.	Turn switch to the "ON" () position.
	Power cord is not plugged in.	Plug in power cord.
	Electrical outlet does not supply adequate power.	Try a different outlet.
	Tripped pressure washer circuit breaker	Allow to cool, and restart unit.
	Power switch is ON however gun trigger is not squeezed ON.	With power switch ON push in on the gun trigger which will engage the AUTO ON switch
	Defective extension cable	Try without extension cable
Unit does not reach high pressure.	Diameter of garden hose is too small.	Replace with a 1" (25 mm) or 5/8" (16 mm) garden hose.
	Water supply is restricted.	Check garden hose for kinks, leaks and blockage.
	Not enough water supply.	Open water source fully.
	Water inlet filter is clogged.	Remove filter and rinse in warm water
	Power nozzle is in low-pressure position.	Turn power nozzle to high-pressure position.
Output pressure varies high and low.	Not enough inlet water supply.	Turn water on fully. Check garden hose for kinks, leaks or blockage
	Pump is sucking air.	Check that hoses and fittings are airtight. Turn "OFF" machine, and purge pump by squeezing trigger gun until a steady flow of water emerges through the nozzle.
	Water inlet filter is clogged.	Remove filter and rinse with warm water.
	Discharge nozzle is obstructed.	Blow out or remove debris with a fine needle.
	Calcified gun, hose or power nozzle.	Run distilled vinegar through detergent tank.

ENGLISH(Original Instructions)

<u>PROBLEM</u>	<u>POSSIBLE CAUSE</u>	<u>SOLUTION</u>
Detergent is not coming out.	Is detergent tank selector on and the correct tank selected?	Select the correct tank, either A or B.
	Detergent bottle or suction tube not properly connected.	Check connections.
	Detergent is too thick.	Dilute detergent.
	Filter on detergent suction tube is clogged.	Run warm water through filter to remove build-up.
	Damaged or clogged detergent suction tube.	Remove obstruction or replace detergent suction tube.
	Nozzle is in high-pressure position.	Turn nozzle tip to low-pressure position.
	Discharge nozzle is obstructed.	Blow out or remove debris with a fine needle.
Garden hose connection leaks.	Loose fittings.	Tighten fittings.
	Missing/worn rubber washer.	Insert new washer.
Spray wand, extension, or nozzle leaks.	Broken o-ring or plastic insert.	Call the Toll-Free Hotline.
Pump is noisy	Pump is sucking air	Check that hoses and fittings are airtight. Turn off machine and purge pump by squeezing trigger gun until a steady flow of water emerges through the nozzle.
	Water filter is clogged.	Remove water filter and rinse in warm water.
Water leaks from pump (up to 10 drops per minute is permissible).	Loose fittings.	Check that all fittings are tight.
	Water seals are damaged or worn.	Call the Toll-Free Hotline
Oil is dripping	Oil seals are damaged or worn.	Call the Toll-Free Hotline

ENGLISH(Original Instructions)

PROBLEM	POSSIBLE CAUSE	SOLUTION
Motor buzzes but fails to run.	Supply voltage below minimum.	Verify that only the pressure washer is running on this circuit.
	System has residual pressure.	Turn unit "OFF", squeeze trigger on spray wand to release pressure, then turn unit "ON"
	Voltage loss due to extension cord.	Unplug any extension cords attached and plug the unit directly into the outlet.
	Pressure washer not used for long periods.	Call the Toll-Free Hotline.
	Residual friction among components. Unit might hum.	Disconnect water supply and power ON for 2 to 3 seconds, repeat couple times or until the motor starts.
No Water	Quick connect assembly is attached in reverse.	Verify that Inlet adapter (G2) is attached to machine's water inlet and that the quick connect coupler (G1) is attached to garden hose.
	Water supply is OFF.	Turn ON water supply.
	Kink in the garden hose.	Remove kink in garden hose.

DISPOSAL



This marking indicates that this product should not be disposed with other household wastes throughout the EU. To prevent possible harm to the environment or human health from uncontrolled waste disposal, recycle it responsibly to promote the sustainable reuse of material resources. To return your used device, please use the return and collection systems or contact the retailer where the product was purchased. They can take this product for environmental safe recycling.

LIMITED WARRANTY

EN LIMITED WARRANTY

Warrants this outdoor product to be free of defects in material and workmanship for 24 months from the date of purchase by the original purchaser, subject to the limitations below. Please keep your invoice as proof of date of purchase.

This warranty is only applicable where the product is used for personal and non-commercial purposes.

This warranty does not cover damage or liability caused by / due to misuse, abuse, accidental or intentional acts by user, improper handling, unreasonable use, negligence, failure by end user to follow operating procedures outlined in the user's manual, attempted repair by non-qualified professional, unauthorized repair, modification, or use of accessories and/or attachments not specifically recommended by authorized party. Please see your local dealer for list of authorized service centers in your area. This warranty does not cover belts, brushes, bags, bulbs or any part which ordinary wear and tear results in required replacement during warranty period. This warranty does not cover transportation cost or consumable items such as fuses and batteries. This limited warranty is void if the product's original identification (trade mark, serial number) markings have been defaced, altered or removed or if product is not purchased from an authorized reseller or if product is sold AS IS and / or WITH ALL FAULTS.

Where permitted, the provisions of this limited warranty are in lieu of any other written warranty, whether express or implied, written or oral, including any warranty of MERCHANTABILITY OR FITNESS FOR A PARTICULAR PURPOSE. IN NO EVENT SHALL WE BE LIABLE FOR SPECIAL, INCIDENTAL, CONSEQUENTIAL OR INCIDENTAL DAMAGES. OUR MAXIMUM LIABILITY SHALL NOT EXCEED THE ACTUAL PURCHASE PRICE PAID BY YOU FOR THE PRODUCT.

This warranty is valid only in the European Union, Australia and New Zealand. Outside these areas, please contact your authorized GreenworksTools dealer to determine if another warranty applies.
AUTHORISED SERVICE CENTRE



EC DECLARATION OF CONFORMITY FOR MACHINERY

Manufacturer: Changzhou Globe Tools Co., Ltd.
Address: No.65 Xinggong Road Zhonglou Zone Changzhou, Jiangsu 213000 P.R.China
Name and address of the person authorised to compile the technical file:
Name: Dennis Jacobson (Director of Outdoor Power Equipment)
Address: GLOBE TOOLS EUROPE AB,
ätbyggargatan 14
120 68 Stockholm
Sweden

Herewith we declare that the product
CategoryHigh Pressure Washer
Model51037
Serial numberSee product rating label
Year of ConstructionSee product rating label

- is in conformity with the relevant provisions of the Machinery Directive
- is in conformity with the provisions of the following other EC-Directives
2006/95/EC (LVD-Directive)
2004/108/EC (EMC-Directive), and
2000/14/EC (Noise-Directive) incl. modifications (2005/88/EC)

And furthermore, we declare that

- the following (parts/clauses of) European harmonised standards have been used
EN 60335-2-79:2009
EN 60335-1:2002+A11:2004+ A1:2004+A12:2006+A2:2006+A13:2008+A14:2010+15:2011
EN 62233:2008
EN 55014-1:2006+A1:2009
EN 55014-2:1997+A1:2001+A2:2008
EN 61000-3-2:2006+A1:2009+A2:2009
EN 61000-3-3:2008
- the following (parts/clauses of) other technical standards and specifications have been used
EN ISO 3744:1995

Measured sound power level L_{WA}: 91 dB(A)
Guaranteed sound power level 94 dB(A)
Conformity assessment method to Annex V/ Directive 2000/14/EC

Place, date: Changzhou, 30/12/2011

Signature: Gary Gao Naixin (BEng, CEng, MIET)
Vice president of Engineering