

TECHNICAL SPECIFICATIONS

RECALL VALUES		POSITION	MODEL	
			DEKORATIVE CHIMNEY HOOD	
VOLTAGE(V)			220/240 AC	
FREQUENCY(Hz)		50		
M O T O R	CURRENT (A)	1	0.8	
		2	1.1	
		3	1.4	
	POWER (W)	1	110	
		2	155	
		3	220	
LAMP		2 x 50 W		
MOTOR INSULATION CLASS		F		
THERMAL PROTECTION		130 °C		
NUMBER OF MOTORS		1		
INSULATION CLASS		CLASS I		

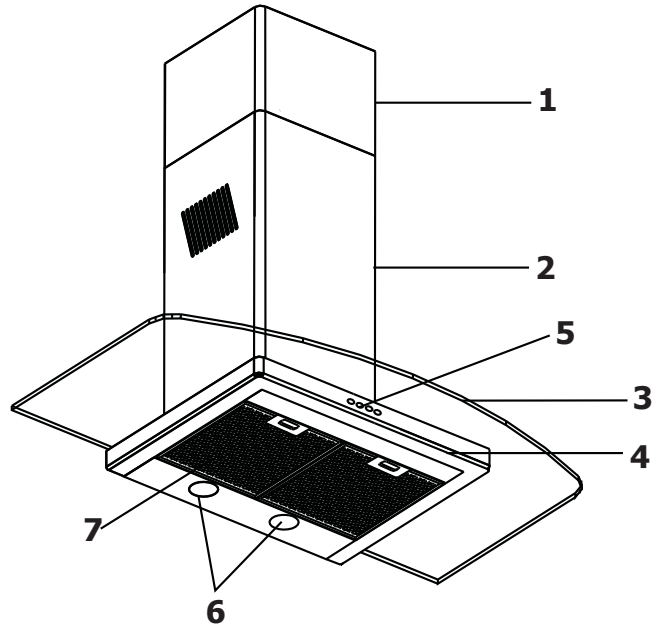
Table 2

KITCHEN HOODS (BUILT-IN DECORATIVE) USER MANUAL



MODEL

DRAWINGS



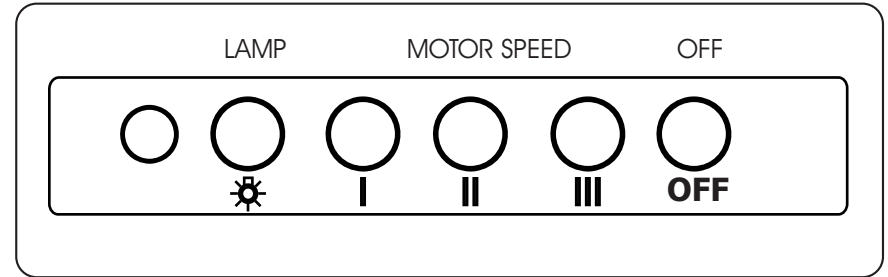
- 1-Internal Chimney
- 2-External Chimney
- 3-Tempered Glass
- 4-Front Panel
- 5-Touch-screen Key
- 6-Halogen Lamp
- 7-Aluminum Filter

Figure 1

USAGE OF PRODUCT

Speed Selection

Extractor has three-speed motor and a multi-Positioned switch to command the motor. For best performance, we recommend you operate the unit at high speed in excessively smokey and smelly places. Motor starts as the slider switch is opened and stops as the slider switch is closed. Extractor must be started a few minutes before cooking start and continued to operate after cooking finishes until odors and fumes are removed.



Replacing the Carbon Filter (Figure 14)

Turn off the device power before replacing the filter.

As the carbon filter is used in kitchens with no chimney discharge, it should be replaced every 3-5 months depending on the operation.

2 carbon filters should be used for this product. Never wash the carbon filter.

Pull the upper clicks towards yourself to displace the carbon filter.

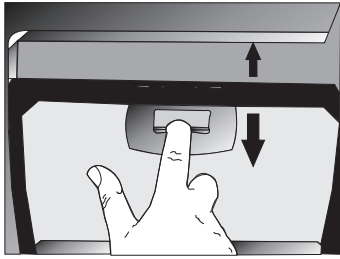
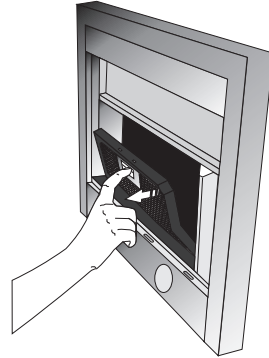


Figure 14



Active carbon filter must be used for filtering the air in the ambient with no chimney and redelivering the air inside. Active carbon filter may be supplied from The authorized service agent or retailer. At first, the cassette filter is removed for the installation of active carbon filter. Carbon filter that is placed on motor covers is installed into its socket so that the medium catches fit. Active carbon filter is assembled by turning in the direction of arrow as shown in

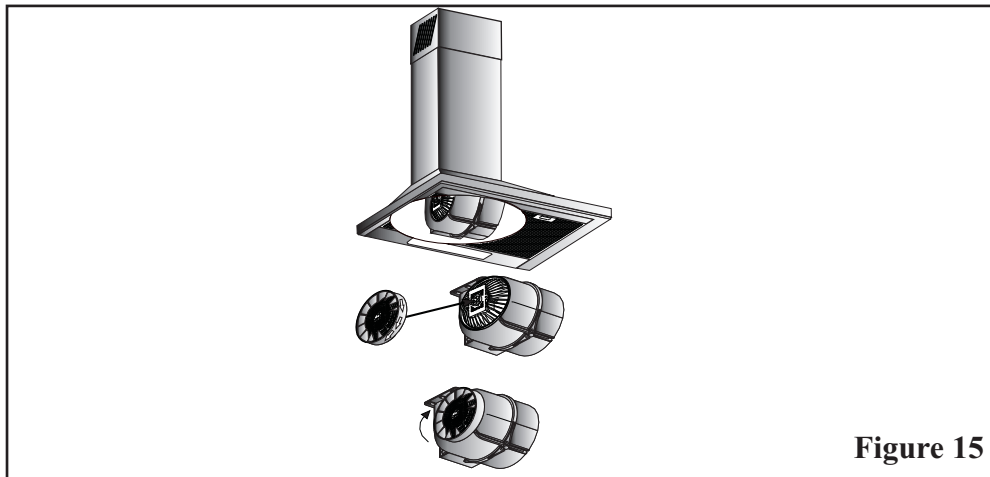


Figure 15

WARNING AND SAFETY MEASURES

- *All electricity installation should be made by a qualified electrician.
- *Installation, made by the unauthorized people, can cause operation with low performance, damaging the product and cause accidents.
- *Electric feeding cable should not be exposed to squeeze to any place and to be crushed in the assembly. Network cords should not be passed near the ovens, they can melt and cause fire.
- *Do not plug in before assembly of the product.
- *Your device has a feeding cable with earthed plug. This cable should be connected to an earthed socket certainly.
- *Provide the plug at an easily accessible place from the socket in order to disconnect electric of the product in case of any danger.
- *When lamps of your product are operated for long period, do not touch to the lamps. As lamps shall be hot, they shall burn your hand.
- *Kitchen chimney-hoods are made for house type use and for normal cooking. There is a failure risk if they are used for other purposes and they are not covered by the guaranty.
- *Obey rules and directives of the competent authorities for discharge of outlet air. (This warning is not valid for uses without chimney.)
- *Flaming foods should not be cooked under the device
- *Operate your product after you put pot, pan etc. on the ovens. Otherwise, high temperature may cause deformation of some parts of your product.
- *Close the oven before taking pot, pan etc. on the oven.
- *Do not leave hot oil on the oven. Pots, having hot oil inside, may cause self ignition.
- *Oils may flame while making meals such as frying, pay attention to your curtain and covers.
- *Provide replacement of filters in time. Filters, which are not replaced in time, have fire risk due to oil, accumulating on them.
- *Do not use filtering materials, which are not resistant to the flame instead of filter.
- *Do not operate your product without filter, do not remove filters when your product is operating.
- *When a flaming starts, disconnect energy of chimney-hood and cooking devices. (Disconnect the energy by removing plug of device from the socket.)
- *If cleaning is not made in compliance with the periodical times, your product may constitute fire risk.
- *Disconnect energy of your device before maintenance transactions. (Disconnect the energy by removing plug of device from the socket.)
- *While electrical oven top chimney hood and devices, which are fed with another energy except electric, are operating at the same time, negative pressure in the room should not exceed 4 Pa (4 x 10 bar).
- *Devices, such as room heater, operating with fuel oil or gas fuels in the ambient, located at the same place where your product shall be operated, should be completely isolated from the volume, where exhaust of such device is located or device should be hermetic type.
- *When you connect chimney to your product, use pipes with 150/120 mm diameter. Performed pipe connection should be as short as possible and with little bracket.

- * As packaging materials may be dangerous, keep away from children.
 - * Be sure that your child does not tamper with the product. Do not allow children to operate your product.
 - * If feeding cordon is damaged, such cordon should be replaced by its manufacturer or its service agency or a qualified personnel in the same degree.
- NOTE: When a flaming starts, disconnect energy of chimney-hood and cooking devices, close over the flame. Never use water in order to extinguish it. For your security, use “MAX 6A” fuse in the installation of chimney-hood. Warnings Related to Transportation and Movement
- * All materials, which are used in the package of your product, are appropriate for recycling.
 - * Obey the marks, stated on the package during the transportation.
 - * Hold the handles at the side parts of the package in order to move your products.

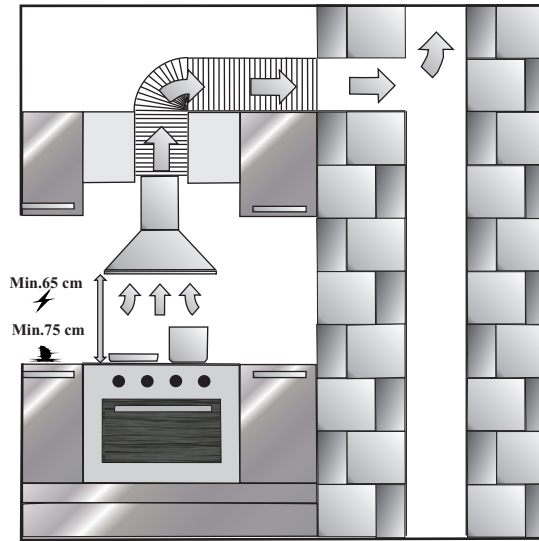


Figure 11

POSITION OF THE DEVICE:
The hood is mounted to the cupboard from its upper side and mounted to the wall from its back. When the installation is complete, there must be at least 65 cm interval between the device and electric hobs and at least 75 cm between the device and hobs operating with gas or other fuels. (Figure 11)

Replacing Lamps (Figure 12)

Turn off the electricity connection of the device. Displace the aluminum cassette filter. Remove the defective lamp and replace with a new lamp of same feature. For replacing halogen lamps, press the lamp holder downwards and when removing the lamp downside turn it towards counter clockwise direction and pull it down. When placing, turn it towards clockwise direction.



Figure 12

5. MAINTENANCE

Before the maintenance and cleaning proceedings, unplug the hood or turn off the switch. Aluminum cassette filter keeps air borne dusts and oils. The metal filter should be washed with warm soapy water or if possible in the washing machine (at 60 °C) once a month. Remove the aluminum cassette filter by pressing the spring clicks placed on sides. After cleaning, do not reassemble it without drying the part (Figure 13). The outer surfaces of the hood must be cleaned with a cloth damped with soapy water or alcohol. Be careful not to contact the electronic parts to water or similar stuff. Using inox cleanser and maintenance products available on the market for cleaning the inox products will ensure a long physical life for your device.

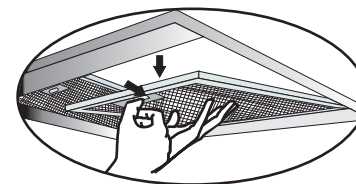


Figure 13

Warning: Aluminum filters can be washed in washing machine. After a few washing, there could be discoloration on the aluminum filter. This is a normal consequence and there is no need for the replacement of panels when such a condition occurs.

	Check Electric connection. (See Security Introductions, Article 2) (Network voltage should be 220-240 V, Chimney-hood should be connected to earthed socket.)	Check motor switch. (Motor switch should be at open position.)	Check lamp switch. (Lamp switch should be at open position.)	Check aluminum filter. (Aluminum cassette filter should be washed once a month under normal conditions.)	Check bulbs. (Bulbs should be in good condition.)	Check air outlet chimney. (Air outlet chimney should be open.)	Check carbon filter. (If it operates with carbon filter, carbon filter should be replaced quarterly.)
Chimney-hood does not operate	X	X					
Lamp does not light	X		X		X		
Air suction of chimney-hood is weak				X		X	X
It does not exhaust air (in the ambient without chimney)				X			X

Table 1

**If chimney-hood does not operate:
Before contacting with the Service:**

Be sure that plug is connected to the socket and electric fuse in the installation is in good condition, do not make any transaction, which shall damage the product. Before contacting with the Service, check your Chimney-hood according to **Table 1**. If problem continues, contact with your seller or the most authorized service.

Service and Spare Part:

Have our authorized services make assembly your product as free of charge.

You can supply spare parts of your product from your seller or your authorized service. There is an authorized service list with the product in the package. When you contact with your service or seller to request spare part, inform model name of the product, which you can see on the product label. When you remove aluminum cassette filter from its place, you can see the product label.

3. INSTALLATION

MONTAGE OF THE HOOD TO THE WALL

There are 2 hanger sheets (L type) for hanging the device to the hanging screw. These sheets are provided with the screw set to enable packing convenience. Before hanging the device, screw these sheets to the M5 nailing nuts with M5 X 40 bolts.

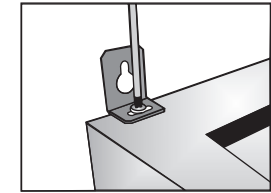


Figure 2

A) Drilling Hanger Holes Figure 2a

Paste the mounting template to the surface where the chimney hood will be mounted and drill (A, B, C) holes on marked points by using a Ø 8 driller. Drill holes (D, E) with a Ø 6mm driller to screw the chimney mounting sheet so that it will be mounted 15 cm below the ceiling.

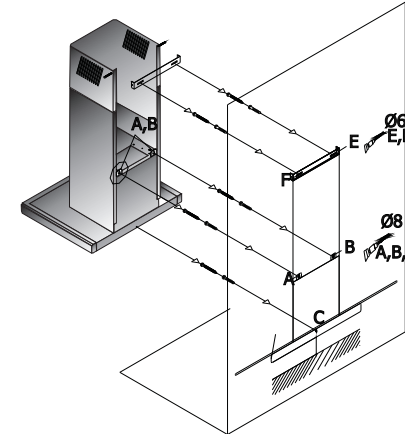


Figure 2a

B) NAILING WALL PLUGS

For hanging screw, nail the Ø 8 mm wall plugs to drilled holes (A, B, C). For chimney mounting sheet, nail the 2 pcs of Ø 6mm wall plugs into the holes drilled with Ø 6mm driller.

C) Screwing the hanger screws

Screw the hanger screws in the Ø 8mm wall plugs (A, B) nailed in the wall. There should be a 5mm interval between the screw head and wall.

By using supplied screws, screw the chimney mounting sheet together with the hood in the Ø 6mm wall plugs (D, E) nailed in the wall (Figure 3)

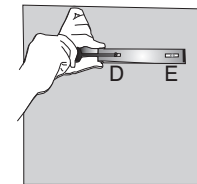


Figure 3

D) Mounting the Hood to Wall

Hang the hood by grabbing it on the body, with (L) sheets, which were, beforehand, mounted to the hood cabin. (Figure 4)



Figure 4

Tighten the screws by using a screwdriver. Fix the body to the wall by screwing a screw into the hole on the body. (Figure 5)

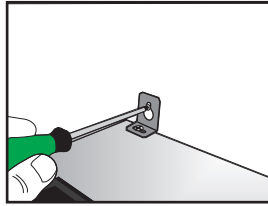


Figure 5

E) Assembling Tempered Glass

Assemble the tempered glass supplied with the hood in such a way ensuring that it is placed on the hood body. Fix the glass to the body by screwing screws in four holes placed on the hood and the glass (figure 6)

NOTE: In case of obliquity with the appearance of the hood, adjust the parallelism of the hood by slightly unloosing the M5 screws placed in the hanger sheets on the top.



Figure 6

Fix the plastic chimney adapter to the top of the body by using 3,5x9 screw. Provide an aluminum pipe and connect one end of this pipe to the plastic chimney of the device and the other end to the kitchen chimney. Check that these two connections are in a frequency not causing maximal cycle in the hood. (Figure 7)

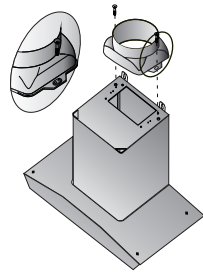


Figure 7

Place the chimneys around the hood. (Figure 8)

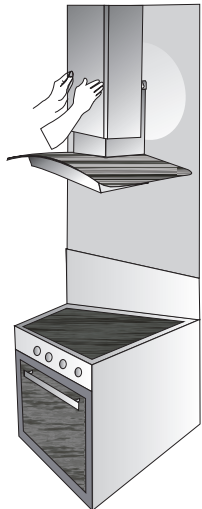


Figure 8

Screw the inner hood in to the chimney mounting sheet which is fixed to wall from its upper outer sides. (Figure 9)



Figure 9

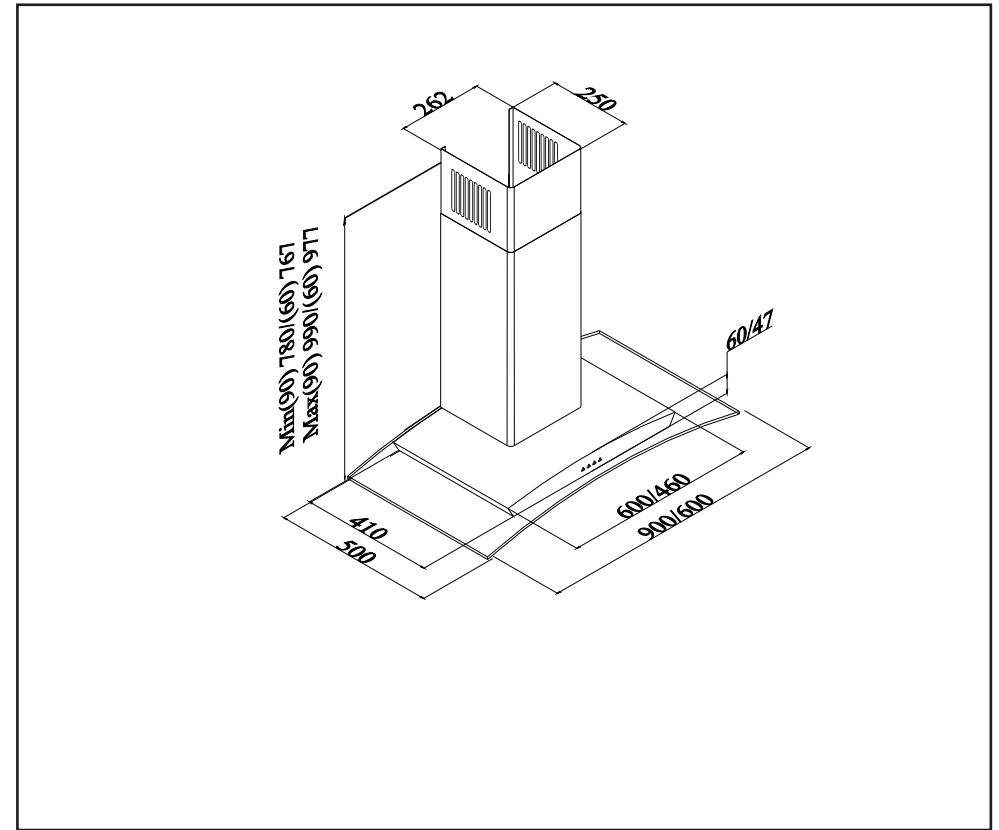


Figure 10