



Synergy Global Technology Inc

www.RackmountMart.com

Toll Free: 1-888-865-6888

Tel: 510-226-8368 Fax: 510-226-8968

Email: sales@RackmountMart.com

User Manual Utilities ISU-01

DL-1001 Intelligent Cabinet Door Lock Handle for CR16xx Series



FC CE  REACH

Legal Information

First English printing, October 2002

Information in this document has been carefully checked for accuracy; however, no guarantee is given to the correctness of the contents. The information in this document is subject to change without notice. We are not liable for any injury or loss that results from the use of this equipment.

Safety Instructions

Please read all of these instructions carefully before you use the device. Save this manual for future reference.

- Unplug equipment before cleaning. Don't use liquid or spray detergent; use a moist cloth.
- Keep equipment away from excessive humidity and heat. Preferably, keep it in an air-conditioned environment with temperatures not exceeding 40° Celsius (104° Fahrenheit).
- When installing, place the equipment on a sturdy, level surface to prevent it from accidentally falling and causing damage to other equipment or injury to persons nearby.
- When the equipment is in an open position, do not cover, block or in any way obstruct the gap between it and the power supply. Proper air convection is necessary to keep it from overheating.
- Arrange the equipment's power cord in such a way that others won't trip or fall over it.
- If you are using a power cord that didn't ship with the equipment, ensure that it is rated for the voltage and current labeled on the equipment's electrical ratings label. The voltage rating on the cord should be higher than the one listed on the equipment's ratings label.
- Observe all precautions and warnings attached to the equipment.
- If you don't intend on using the equipment for a long time, disconnect it from the power outlet to prevent being damaged by transient over-voltage.
- Keep all liquids away from the equipment to minimize the risk of accidental spillage. Liquid spilled on to the power supply or on other hardware may cause damage, fire or electrical shock.
- Only qualified service personnel should open the chassis. Opening it yourself could damage the equipment and invalidate its warranty.
- If any part of the equipment becomes damaged or stops functioning, have it checked by qualified service personnel.

What the warranty does not cover

- Any product, on which the serial number has been defaced, modified or removed.
- Damage, deterioration or malfunction resulting from:
 - Accident, misuse, neglect, fire, water, lightning, or other acts of nature, unauthorized product modification, or failure to follow instructions supplied with the product.
 - Repair or attempted repair by anyone not authorized by us.
 - Any damage of the product due to shipment.
 - Removal or installation of the product.
 - Causes external to the product, such as electric power fluctuation or failure.
 - Use of supplies or parts not meeting our specifications.
 - Normal wear and tear.
 - Any other causes which does not relate to a product defect.
- Removal, installation, and set-up service charges.

Regulatory Notices Federal Communications Commission (FCC)

This equipment has been tested and found to comply with the limits for a Class B digital device, pursuant to Part 15 of the FCC rules. These limits are designed to provide reasonable protection against harmful interference in a residential installation.

Any changes or modifications made to this equipment may void the user's authority to operate this equipment. This equipment generates, uses, and can radiate radio frequency energy and, if not installed and used in accordance with the instructions, may cause harmful interference to radio communications.

However, there is no guarantee that interference will not occur in a particular installation. If this equipment does cause harmful interference to radio or television reception, which can be determined by turning the equipment off and on, the user is encouraged to try to correct the interference by one or more of the following measures:

- Re-position or relocate the receiving antenna.
- Increase the separation between the equipment and receiver.
- Connect the equipment into an outlet on a circuit different from that to which the receiver is connected.

Content

Part I. Hardware

- < 1.1 > Package Contents P.1
- < 1.2 > Overall Installation Diagram P.2
- < 1.3 > DL-1001 Handle Installation P.3
- < 1.4 > Door Sensor Installation (Inductive Sensor / Mechanical Sensor) P.9

Part II. Handle Usage & Operation

- < 2.1 > Two Important Notes P.13
- < 2.2 > Handle Operation with Door Sensor P.15
- < 2.3 > Handle Operation without Door Sensor P.17

Part III. Hardware Specifications

P.19

Part IV. Software Download

- < 4.1 > Software Features & Hardware Requirements P.20
- < 4.2 > Supported OS Platform & Language P.21
- < 4.2 > Utilities ISU-01 Download & Installation P.22
- < 4.3 > Driver Installation for Data Input Cable P.23

Part V. Software Usage

- < 5.1 > Initial Handle Configuration P.27
- < 5.2 > Card Assignment P.30
- < 5.3 > Export & Import Handle Configuration P.31

Part VI. FAQ

P.33

Part VII. Troubleshooting

P.34

Part VIII. Optional Accessories

P.35

Part I. Hardware

< 1.1 > Package Contents

Unpacking

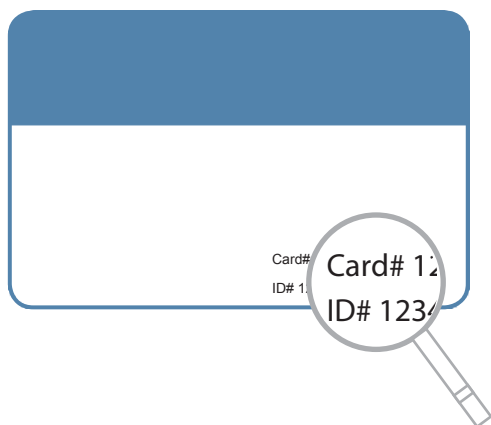
The equipment comes with the standard parts shown on the package contents. Check and make sure they are included and in good condition. If anything is missing, or damage, contact the supplier immediately.


DL-1001 Package Content

- DL-1001 Intelligent handle, pair (MiFARE / Proximity)
- Y-Power cable x 1
- Activated card x 1
- 2.5A power adapter x 1
- 6' Power cord x 1
- Key x 1
- Cable clip x 8
- M5 x 12mm screw x 6




Patented and Worldwide
Patents Pending



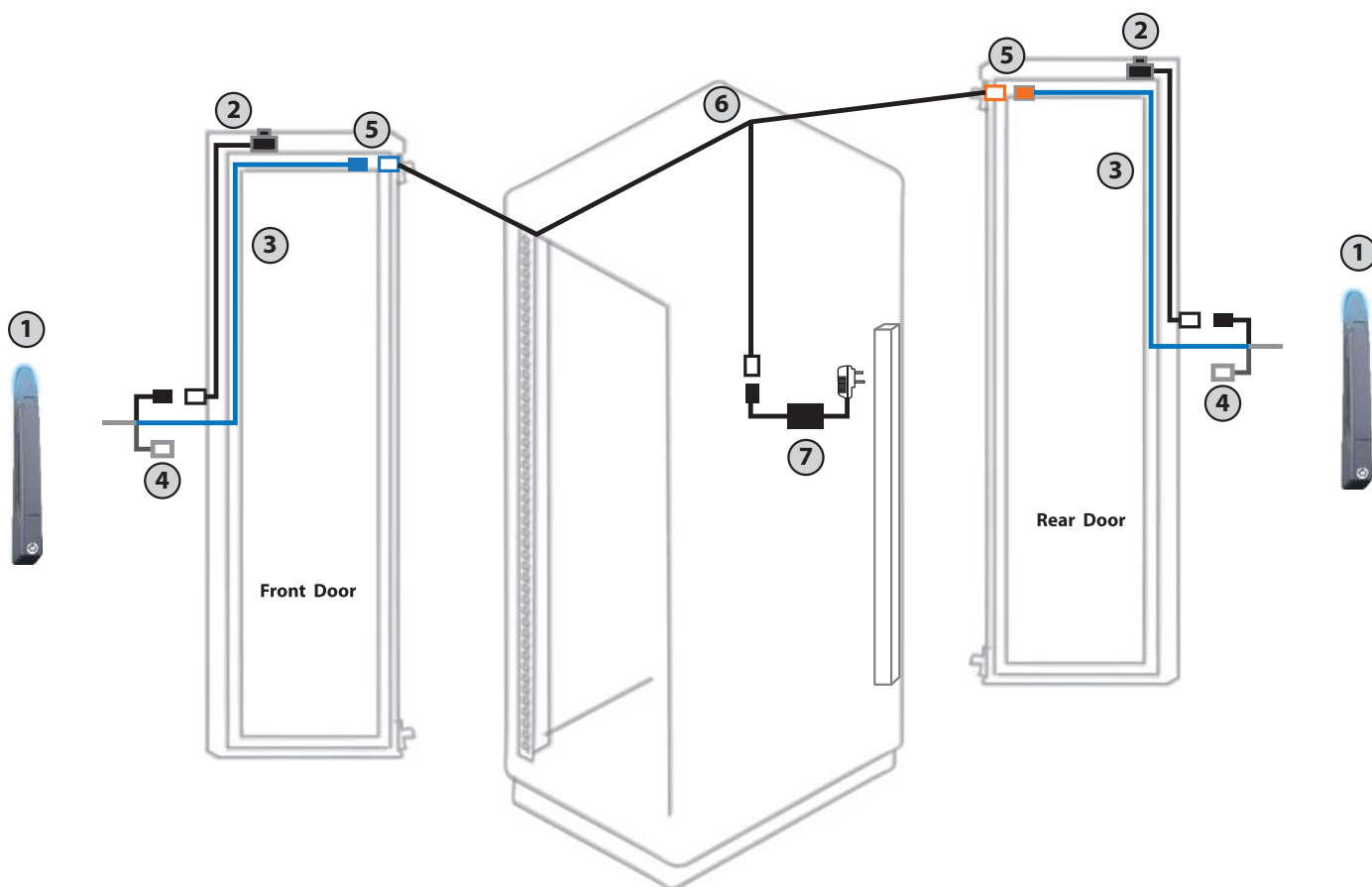
 Each package bundled with activated card x 1.
The card on the bottom right shows two information :

< 1 > Card number

< 2 > Handle ID number x 2 for two handles

 This bundled card has been activated in advance and authorized to unlock these two handles in the package.

< 1.2 > Overall Installation Diagram



- ① DL-1001P Proximity / DL-1001M MiFARE Intelligent handle
- ② Optional door sensor with cable : 2pcs for front & rear door (2m)
- ③ Power cable (door section) : 2pcs for front & rear door (2m)
- ④ Data input connector (for handle activation / data input / configuration)
- ⑤ Joint connector of ③ & ⑥
- ⑥ Y-Power cable (cabinet section)
- ⑦ Universal Auto switching 2.5A power adapter & 6' power cord

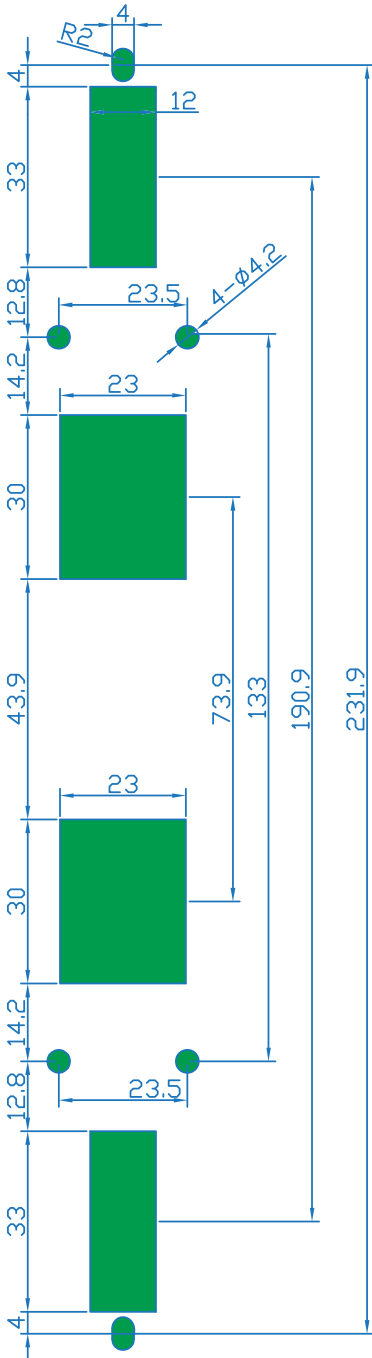
Part I. Hardware

< 1.3 > DL-1001 Handle Installation

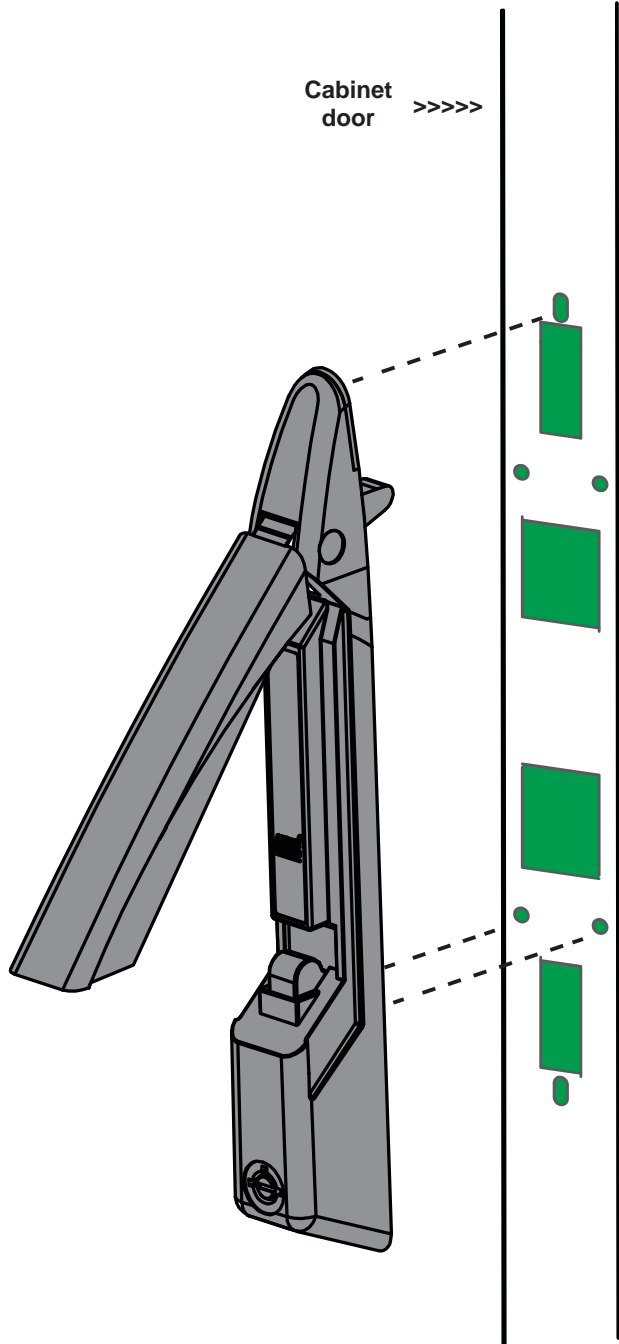
Custom Mounting Cut-out on Cabinet Door for Handle Installation :



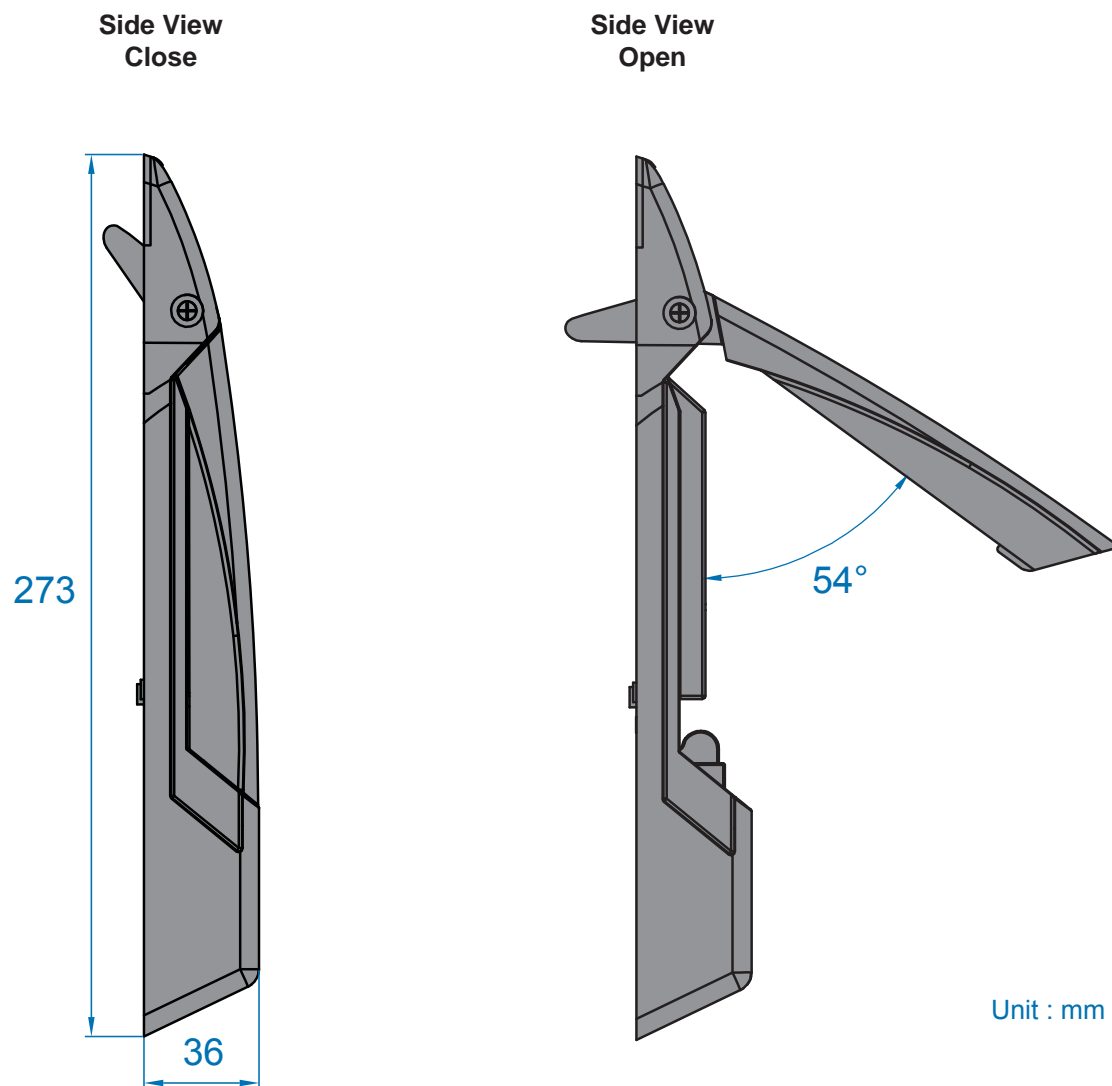
- It is highly important to make a correct handle mounting cut-out on cabinet door.
- Please **100%** follow the diagram on the below to make the cut-out.



Unit : mm



< 1.3 > DL-1001 Handle Installation



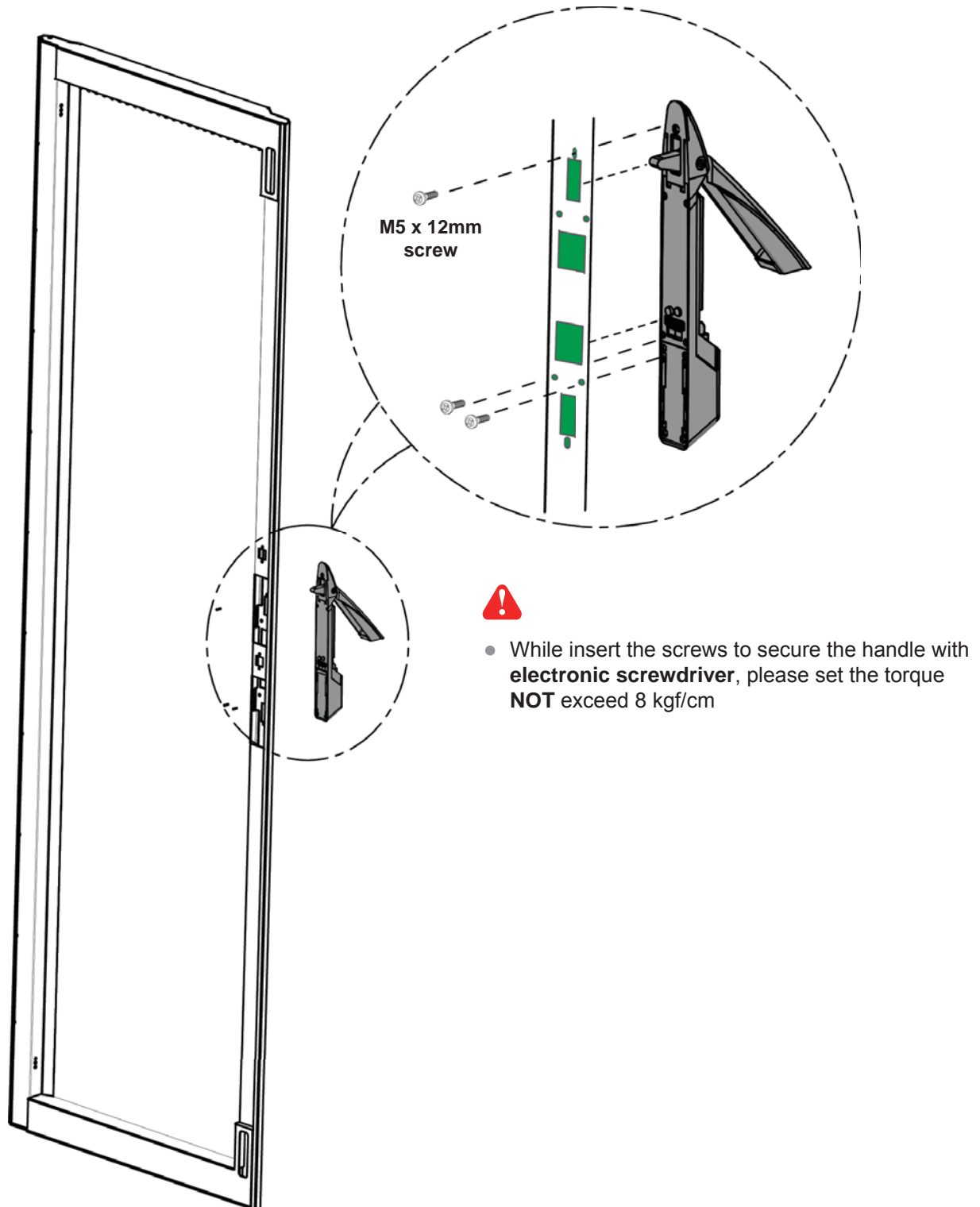
DL-1001 handle design supports left side & right side open

Part I. Hardware

< 1.3 > DL-1001 Handle Installation

Handle Installation Steps

1. Mount DL-1001 handle to the custom handle mounting cut-out position.
2. Insert the bundled M5 x 12mm screw x 3 pcs to secure the handle in place.

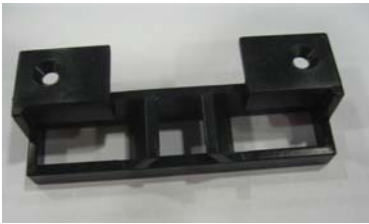


< 1.3 > DL-1001 Handle Installation

Parts of Cabinet Door Locking Bar

Three parts available for cabinet manufacturer to produce the cabinet door locking bar system integrated with DL-1001 handle .

- ❶ **Locking bar handle bracket, pc**
Order part no. : PT-404-8-02111
material : alloy
(fixing screw not provided)



Dimension Diagram on next page

- ❷ **Locking bar retaining bracket, pc**
Order part no. : PT-314-0-10010
material : alloy
(fixing screw not provided)

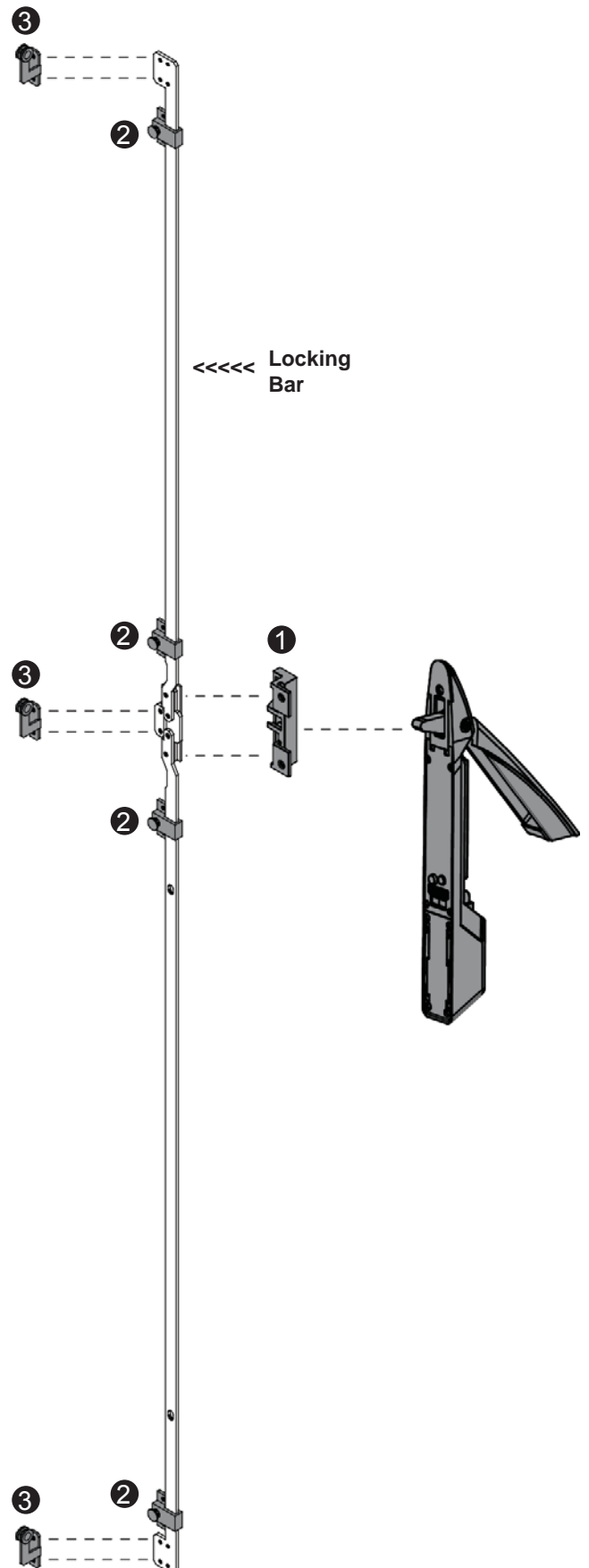


Dimension Diagram on next page

- ❸ **Locking bar roller, pc**
Order part no. : PT-314-0-10020
material : alloy
(fixing screw not provided)

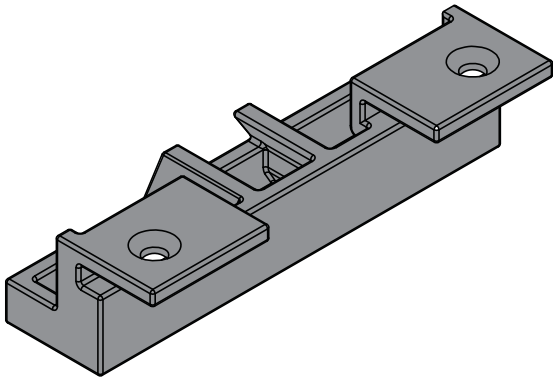


Dimension Diagram on next page

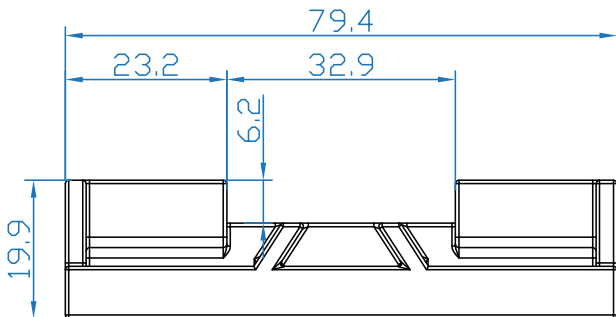
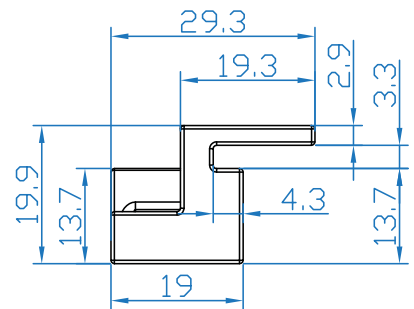
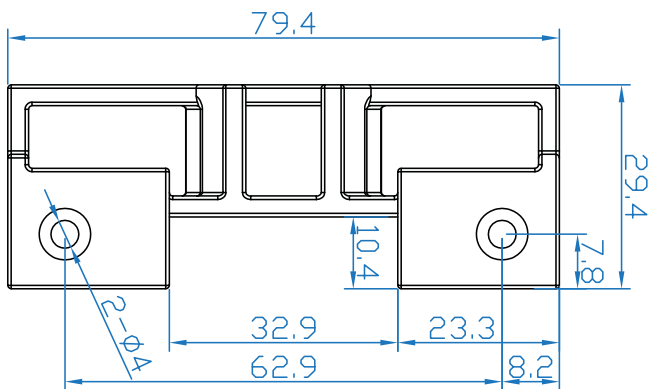


Part I. Hardware

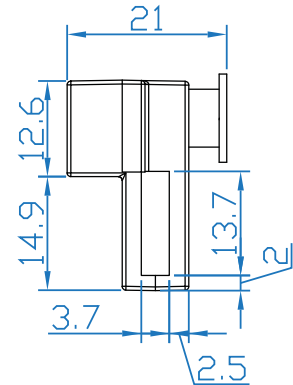
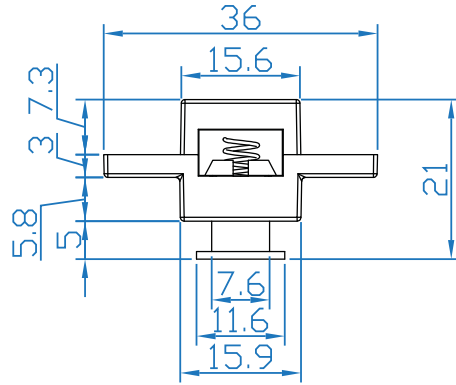
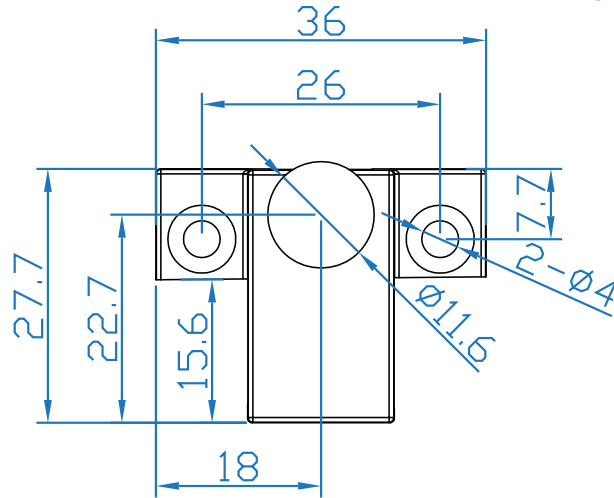
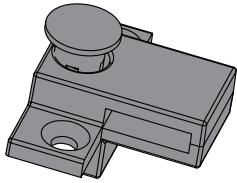
< 1.3 > DL-1001 Handle Installation



- ① **Locking bar handle bracket, pc**
Order part no. : PT-404-8-02111
material : alloy
(fixing screw not provided)



< 1.3 > DL-1001 Handle Installation

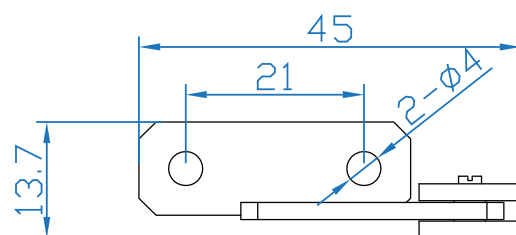
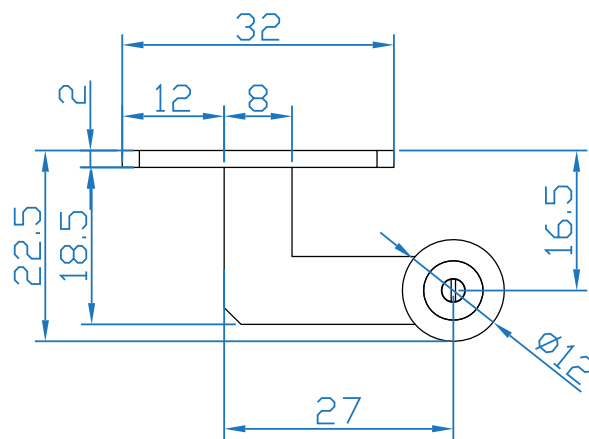
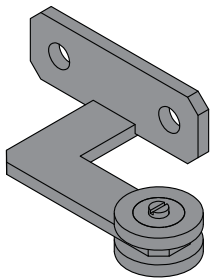


② Locking bar retaining bracket, pc

Order part no. : PT-314-0-10010

material : alloy

(fixing screw not provided)

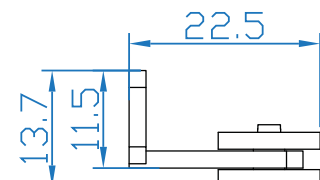


③ Locking bar roller, pc

Order part no. : PT-314-0-10020

material : alloy

(fixing screw not provided)



Part I. Hardware

< 1.4 > Door Sensor Installation **Inductive Sensor**

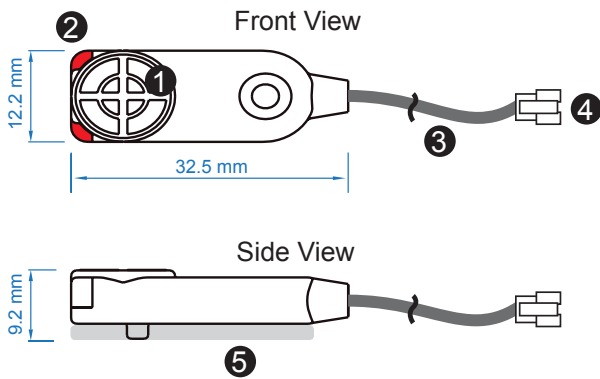
Optional door sensor is an essential accessories as users can be alerted by visual and audio alarm for unauthorized access.

Inductive Door Sensor, pair (DLS-102)



Features

- light weight / adhesive
- mini size (32.5 x 12.2 x 9.2 mm)
- no custom cutting required on door



①	Sensor area
②	Red LED (light up while door opening)
③	2m cable
④	Cable jack (connect to handle)
⑤	2mm adhesive tape

Package content

- Inductive sensor w/ 2m cable x 2
- 2mm adhesive tape x 6



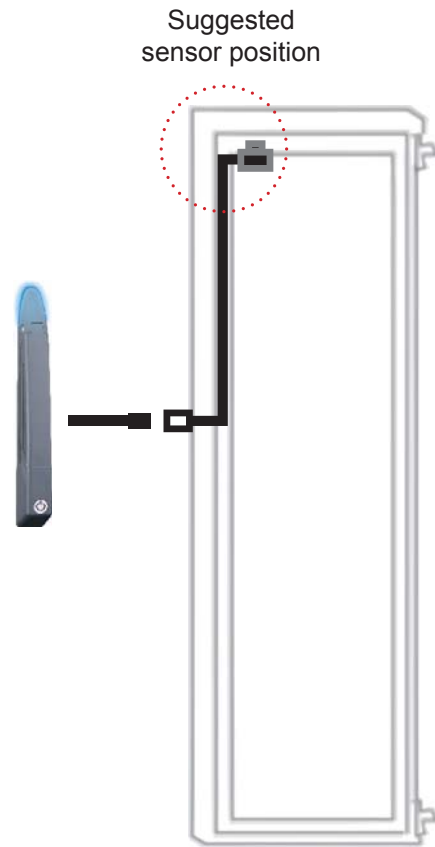
Requirements

- cabinet frame made of ferrous metal (iron)
- sensing distance 3mm

< 1.4 > Door Sensor Installation **Inductive Sensor**

Installation steps

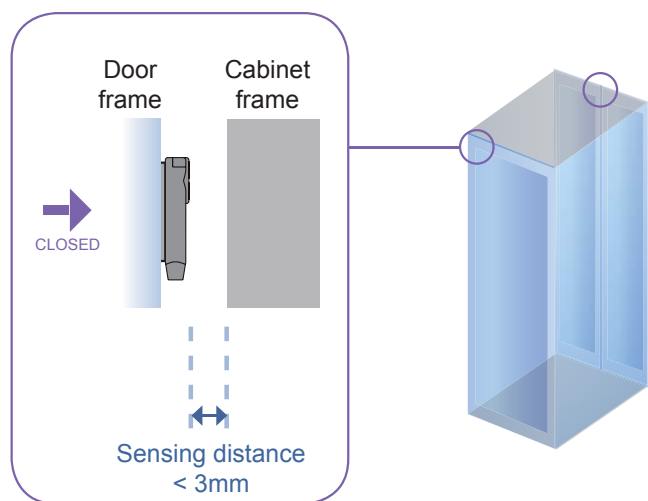
- connect to the handle
- guide & fix the cable with cable clips (bundle with handle package)
- place the sensor at the top of the door, close to the opening side
- adjust the sensor with adhesive tape to ensure the sensing distance between door to frame within 3mm while door in close status



Sensor Operation

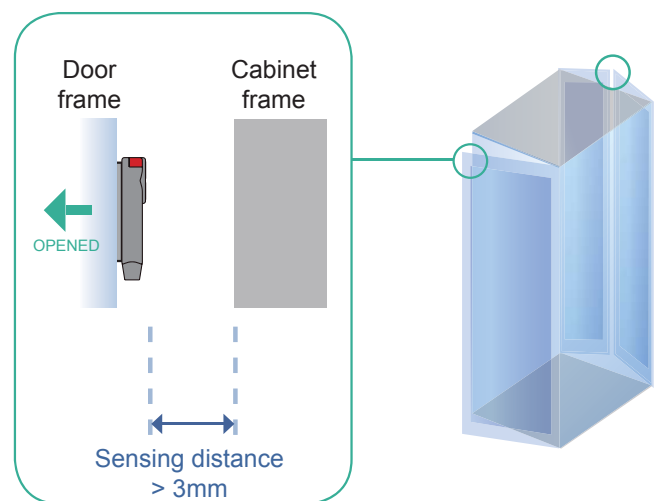
DOOR CLOSE

- close door
- inductive sensor detects the cabinet frame
- DOOR CLOSE SIGNAL sends out



DOOR OPEN

- open door
- inductive sensor lose detection with cabinet frame
- Red LED of sensor light up
- DOOR OPEN SIGNAL sends out



Part I. Hardware

< 1.4 > Door Sensor Installation Mechanical Sensor

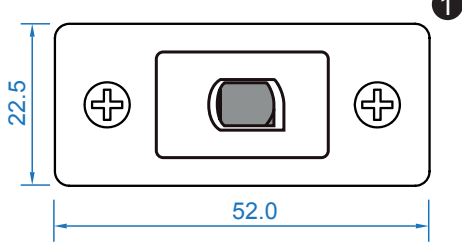
Mechanical Door Sensor (DLS-101)

Features

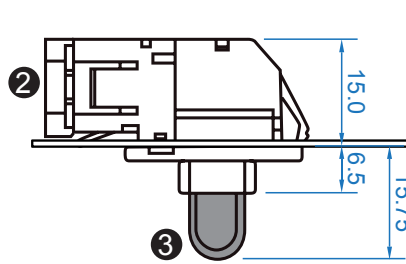
- low cost / precise
- cost efficient integration to new cabinet

unit : mm

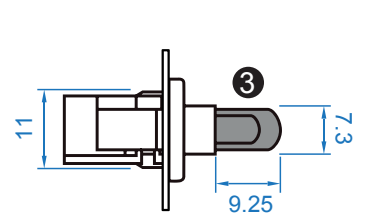
Front View



Top View



Side View



①	Steel mounting plate with 2 screw holes
②	Cable connector
③	Press button (total travel distance : 9.25 mm) (min. actuation distance : 3.00 mm)

Package content

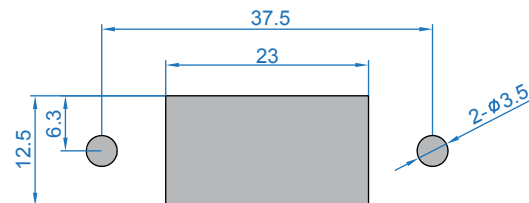
- Mechanical sensor w/ 2m cable x 2
- Mounting screws 6#32x4.5mm x 2



Requirements

- custom hole cutting required on doors
- ordering a sample for custom cutting is highly suggested
- min. actuation distance : 3.00 mm
- total travel distance : 9.25 mm

unit : mm



Dimension of door cutting hole

- circle hole x 2 for screw mounting
- rectangle hole x 1 for sensor installation

< 1.4 > Door Sensor Installation Mechanical Sensor

Installation steps

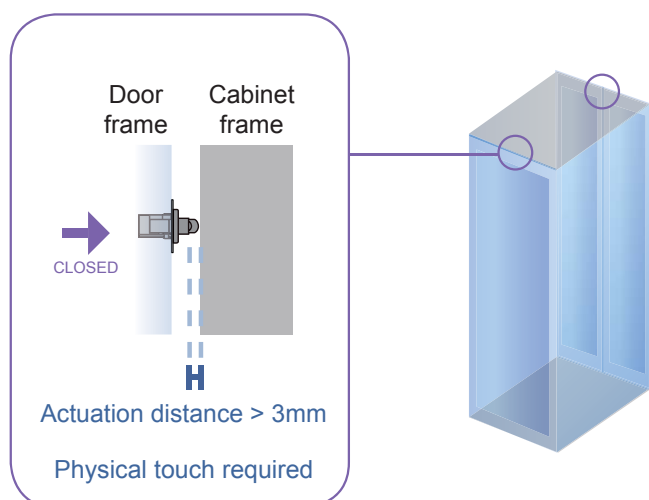
- connect to the handle
- place the sensor at the top middle of the door
- install the sensor in the custom hole
- secure it with bundled mounting screws 6#32x4.5mm x 2



Sensor Operation

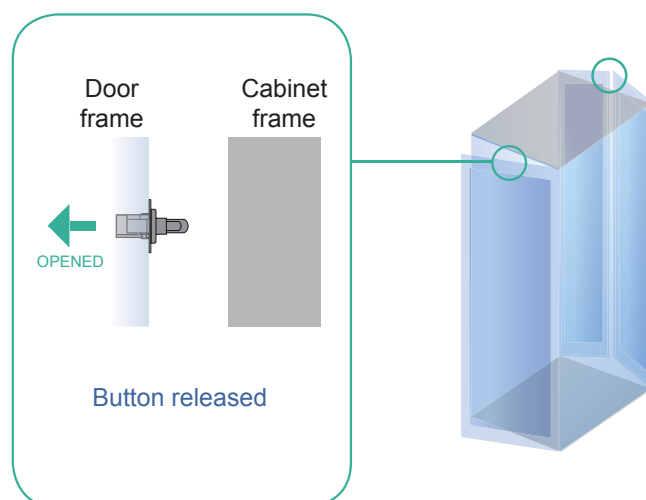
DOOR CLOSE

- close door
- Sensor button is pressed on
- DOOR CLOSE SIGNAL sends out



DOOR OPEN

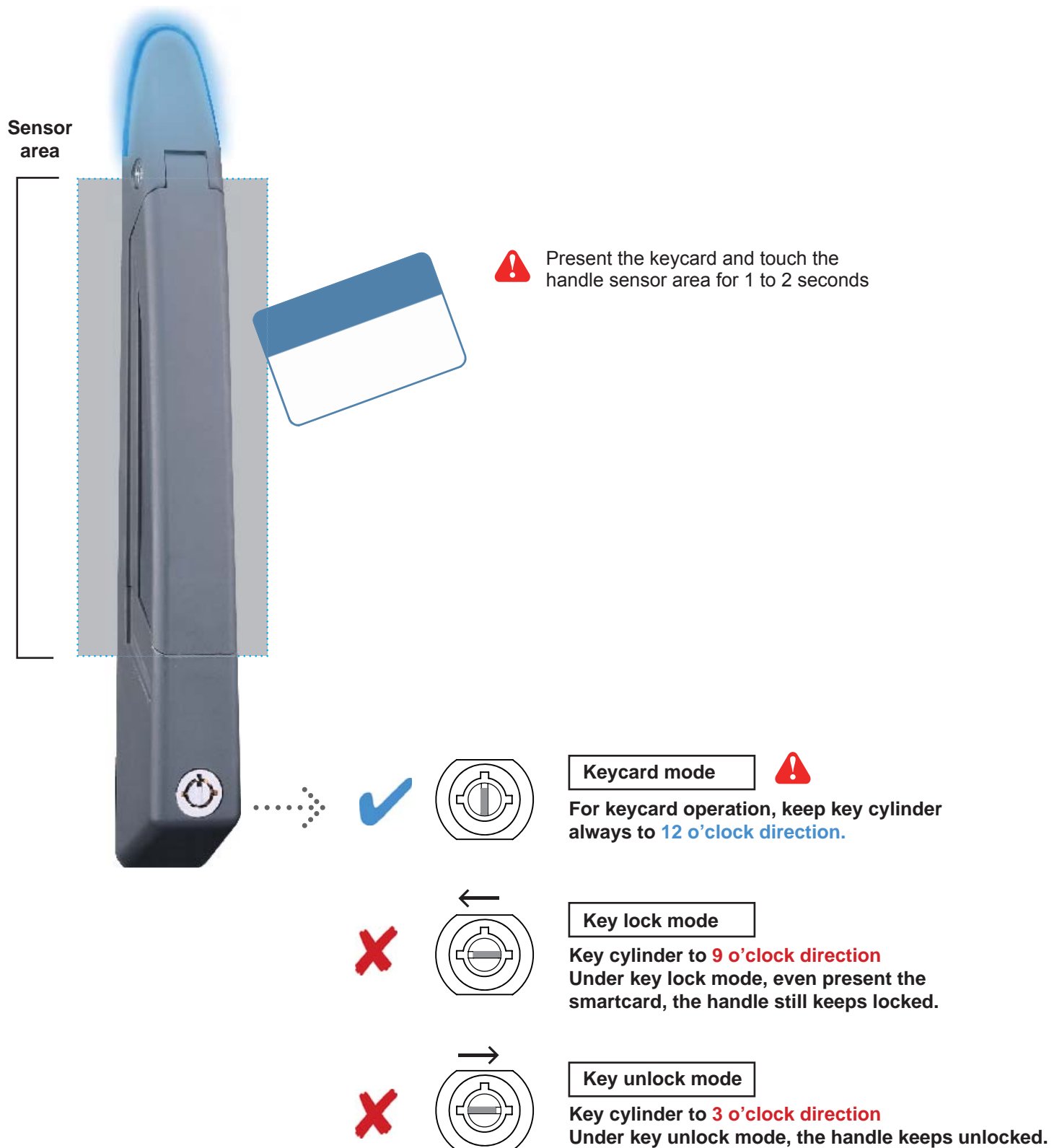
- open door
- Sensor button is released
- DOOR OPEN SIGNAL sends out



Part II. Handle Usage & Operation

< 2.1 > Two Important Notes

Handle Sensor Area & KeyCard Mode

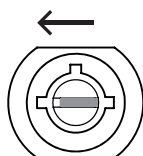


< 2.1 > Two Important Notes

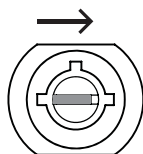
Lock / Unlock the handle by mechanical key



- Unless the Intelligent handle is defective, lock / unlock the handle by key is NOT recommended
- Please insert & turn the key with push force



Key lock mode
Key cylinder to **9 o'clock direction**.



Key unlock mode
Key cylinder to **3 o'clock direction**.

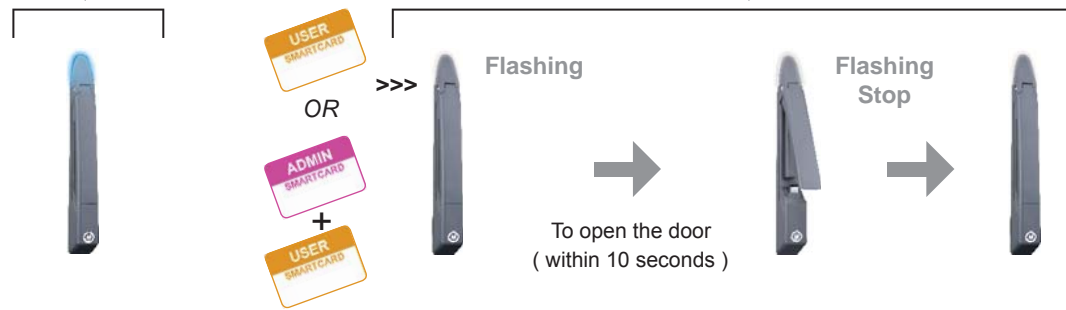
Part II. Handle Usage & Operation

< 2.2 > Handle Operation with Door Sensor

How to unlock the handle & open the door properly

Locked status in
blue or green

Unlocked status in
silver white



Within 10 seconds after smartcard detection, users should :

- lift up the handle
- open the door
- return the handle to park position properly in case reckless collision causes handle damage.

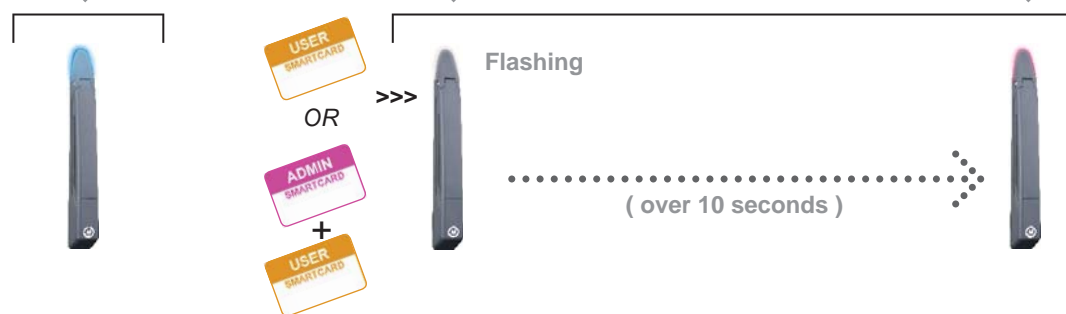
Over 10 seconds, the handle still **keeps unlock**.

Unlock the handle but NOT open the door

Locked status in
blue or green

Unlocked status in
silver white

Unlocked status in
red

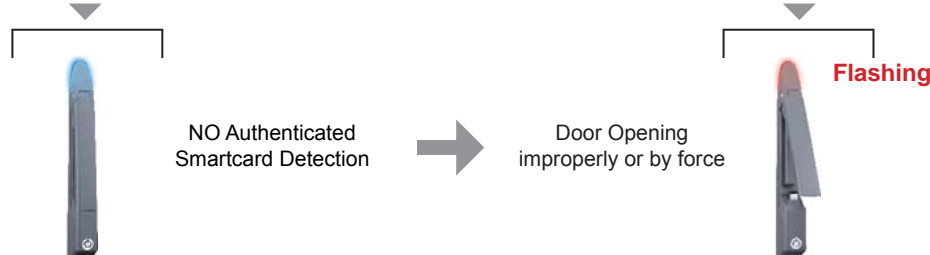


If DO NOT lift up the handle and open the door within 10 seconds, the LED will change to **RED** to draw user's attention that the handle in unlock status and cabinet security at risk now.

Unauthorized door-open

Locked status in
blue or green

Unlocked status in
red

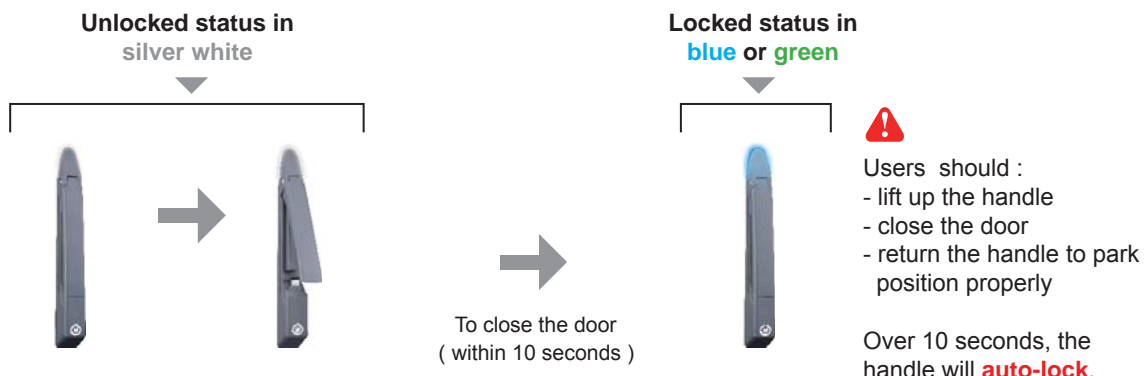


If the door is opened improperly or by **force**, handle LED will turn to **red flashing** with audio alarm 'beep' sound.

< 2.2 > Handle Operation with Door Sensor



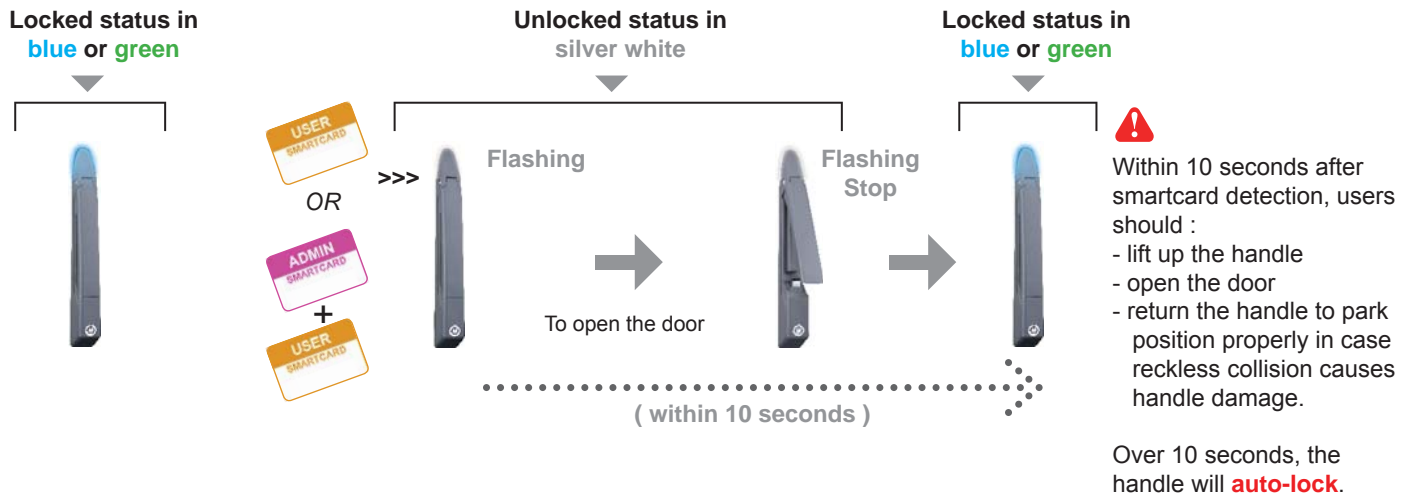
How to close the door properly



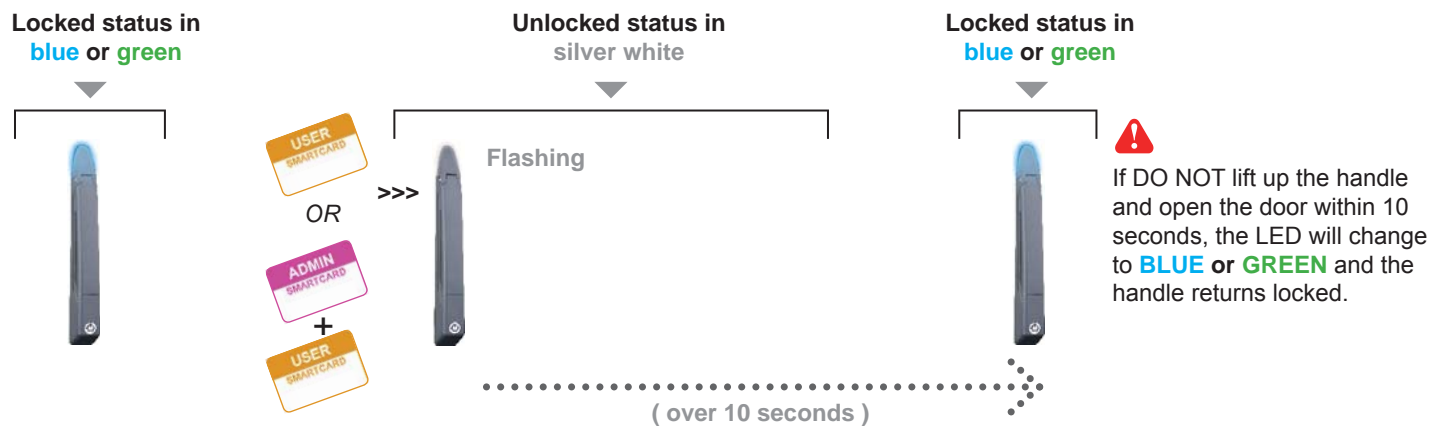
Part II. Handle Usage & Operation

< 2.3 > Handle Operation without Door Sensor

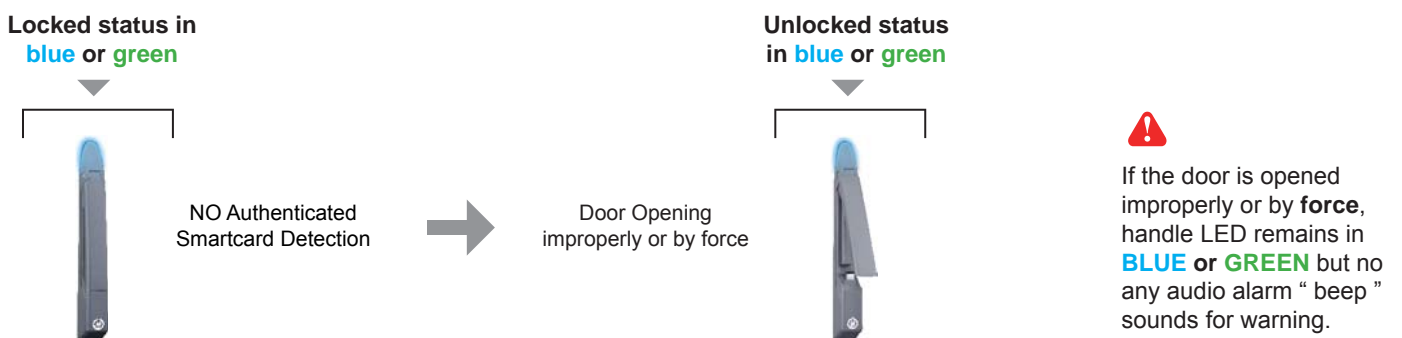
How to unlock the handle & open the door properly



Unlock the handle but NOT open the door

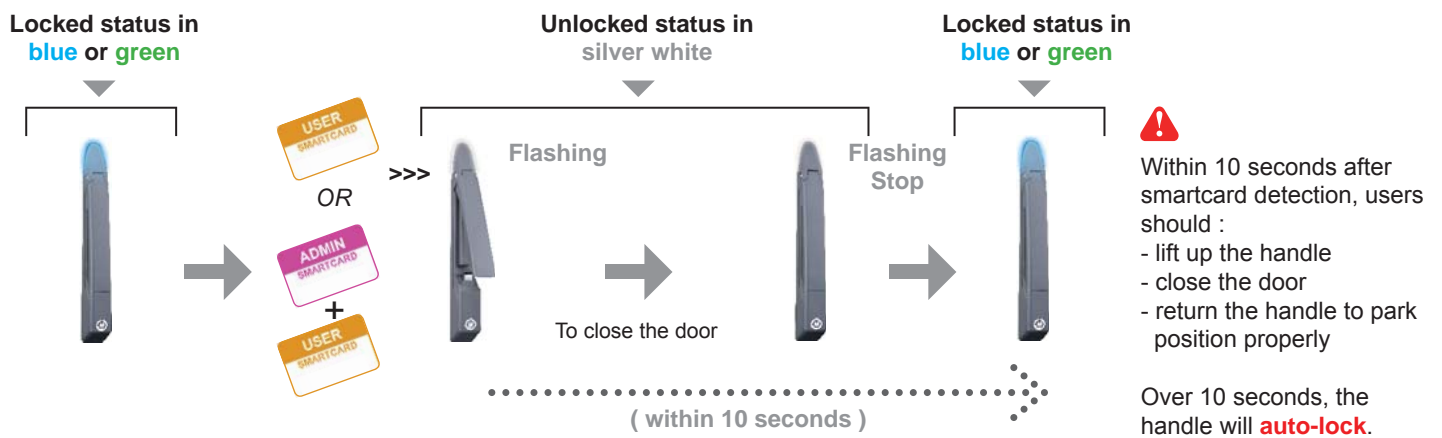


Unauthorized door-open



< 2.3 > Handle Operation without Door Sensor

How to close the door properly



Part III. Hardware Specifications

Item	Power	100~240VAC, 50 / 60Hz 0.5A via AC / DC cord
	Regulation Approval	FCC, CE

Environmental	Operation	0° to 50° C Degree
	Storage	-5° to 60 °C Degree
	Relative Humidity	90%, non-condensing
	Shock	50G peak acceleration (11 ms, half-sine wave)
	Vibration	58~100Hz / 0.98G (11ms / cycle)

Packing	Gross Weight	1.82 kg / 4.0 lbs
----------------	--------------	-------------------

Safety Regulatory	FCC & CE certified
--------------------------	--------------------

Environmental	RoHS2 & REACH compliant
----------------------	-------------------------

Part IV. Software Download

< 4.1 > Software Features & Hardware Requirements

Software Features

	Utilities
Max. 500 pairs of handle	
Max. 50 user card authentication per handle	✓
Dual or single card mode authentication**	✓
Enable or disable door sensor detection**	✓
Detailed user card information	
Reporting on configuration details	
Log in password	

** Optional feature

Hardware Requirements

Please prepare a notebook computer with the hardware specifications as below for Utilities software.

Recommended hardware :

- Processor: Dual Core 2GHz or above
- Memory: 2GB RAM
- Available Disk Space: 2GB
- Display: 1024 x 768 or higher resolution



USB port x 1 required for the data input cable & Intelligent handle configuration

Part IV. Software Download

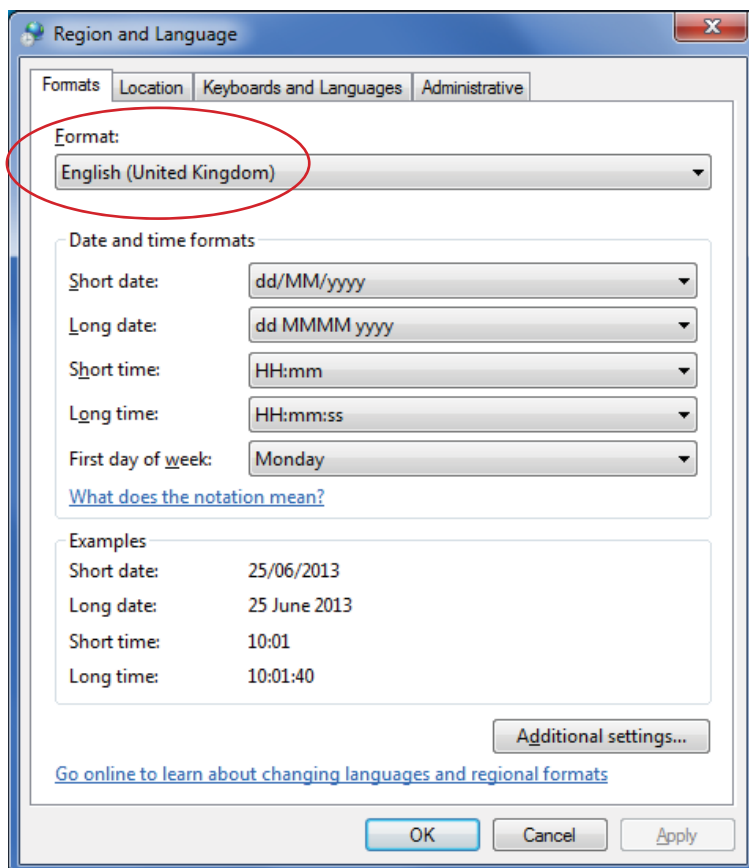
< 4.2 > Supported OS Platform & Language

Supported OS platform & language list :

- MS Windows XP Professional with SP3 (32bit, English edition only)
- MS Windows 7 Professional with SP1 (32bit & 64bit, English edition only)
- MS Windows 8 Professional (32bit & 64bit, English edition only)

User can select the following languages under Control Panel > Region and Language in English Edition OS:

- 1) Arabic (Saudi Arabia)
- 2) Chinese (Traditional, Hong Kong S.A.R.)
- 3) Dutch (Netherlands)
- 4) English (Australia)
- 5) English (United Kingdom)
- 6) English (United States)
- 7) French (France)
- 8) German (Germany)
- 9) German (Switzerland)
- 10) Italian (Italy)
- 11) Japanese (Japan)
- 12) Korean (Korea)
- 13) Norwegian (Norway)
- 14) Portuguese (Portugal)
- 15) Russian (Russia)
- 16) Spanish (Spain)
- 17) Turkish (Turkey)

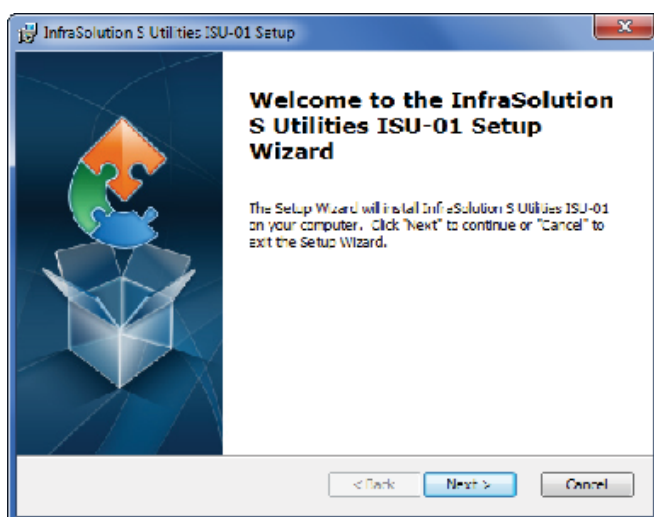


< 4.3 > Utilities software Download & Installation

After the handle installation, please take the following steps to install the utilities :

1. Prepare a notebook computer to download the handle setup utilities from the link :
<http://www.rackmountmart.com/downloads.html>

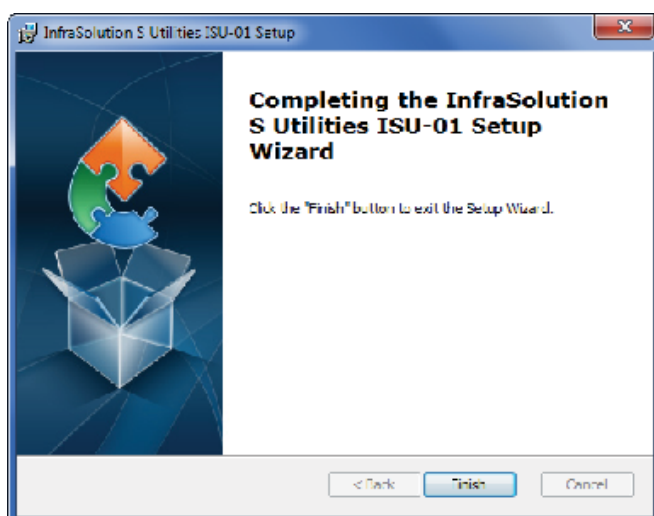
2. Double click the ISU-01.msi and follow the instruction to complete the installation.



↓
click “ **Next** ”

↓
click “ **Install** ”

↓
click “ **Finish** ”



..... **Complete**

Part IV. Software Download

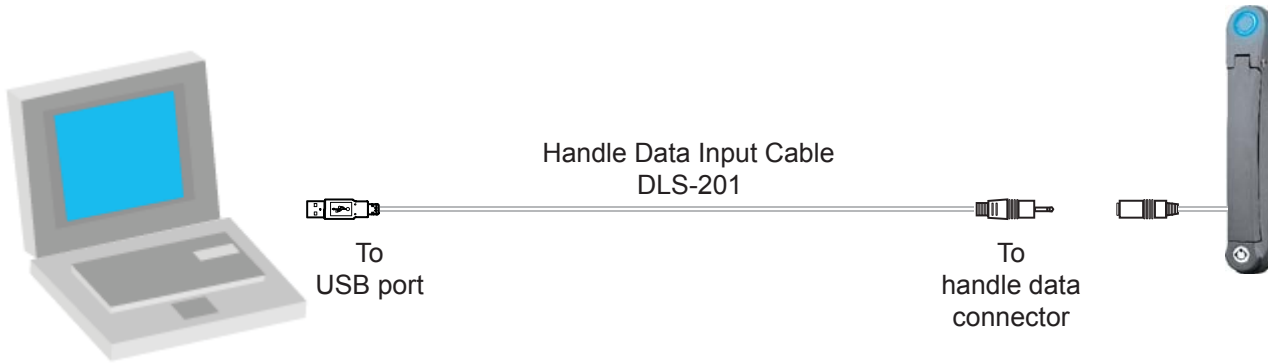
< 4.4 > Driver Installation for Data Input Cable


Before initial configuration for handles, user **MUST** install the driver for the data input cable **ONCE**. Please follow 13 steps below to complete the installation.

Step 1.

Connect the handle to the notebook computer via the handle data input cable (DLS-201).

 Make sure the handle in power ON status



 If the notebook is MAC model, users may need to download the USB driver to run Windows OS under MAC notebook PC.

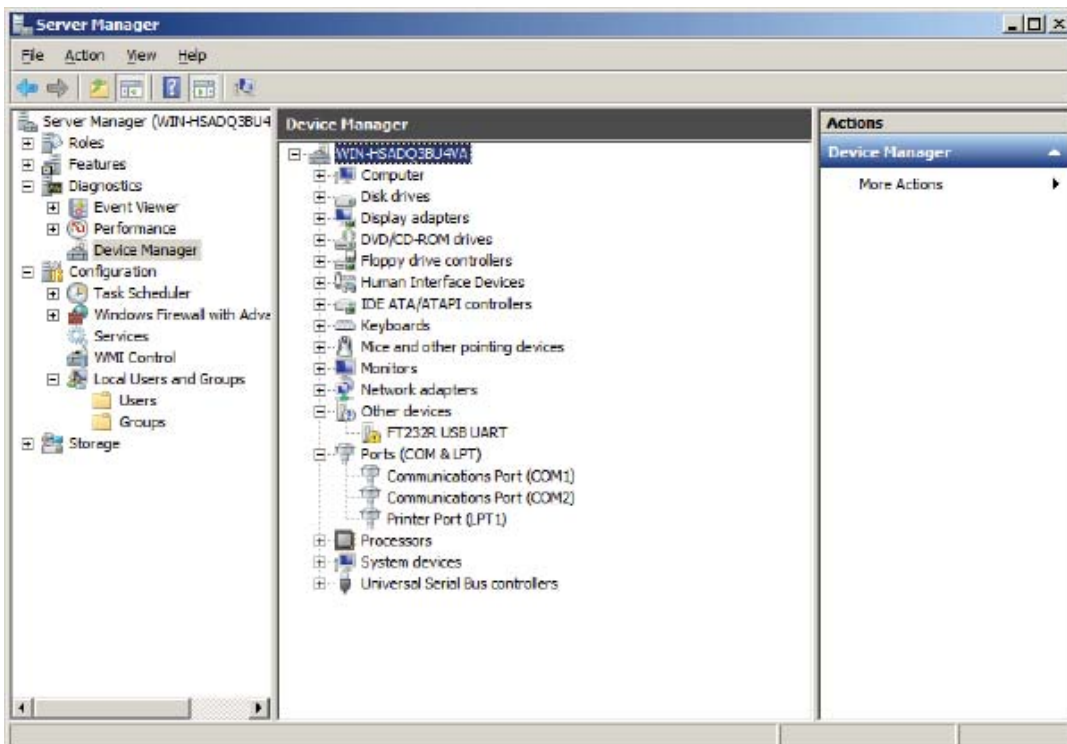
http://www.rackmountmart.com/download/Intelligent_handle/ISW-USBV20828-32bit.7z

OR

http://www.rackmountmart.com/download/Intelligent_handle/ISW-USBV20828-64bit.7z

Step 2.

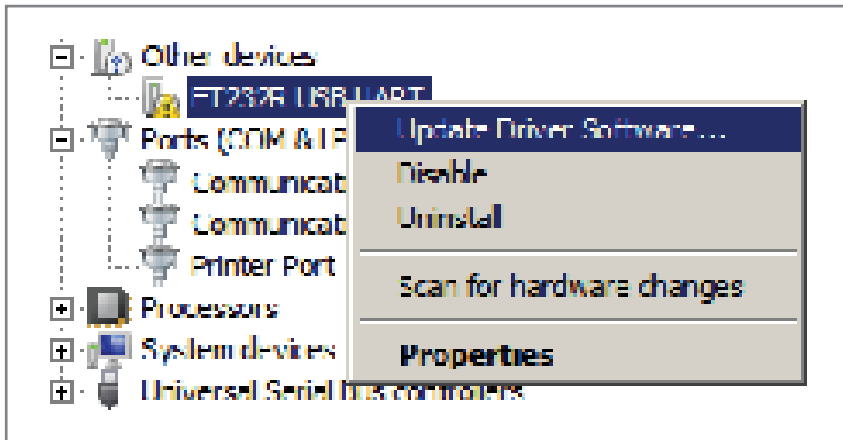
Right click “ **My computer** ” & Select “ **Manage** “. Click “ **Device Manager** “. Then user can see an improper USB UART driver installed under “ **Other devices** ” .



< 4.4 > Driver Installation for Data Input Cable

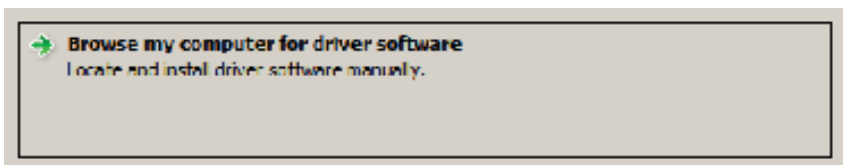
Step 3.

Right Click the improper installed **USB UART** driver & Select “ **Update Driver Software...** ”.



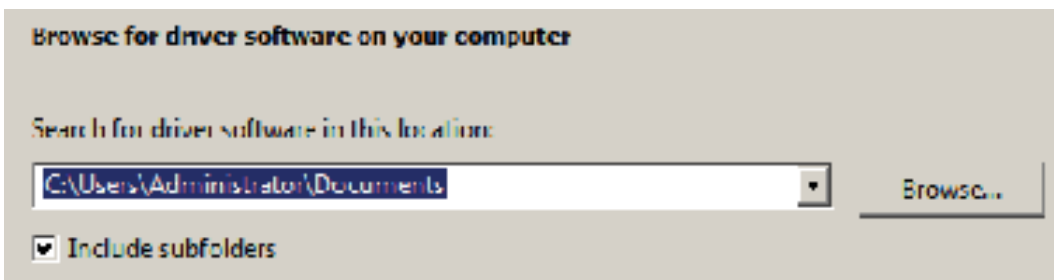
Step 4.

A window pops up & please Select “ **Browse my computer for driver software** ”.



Step 5.

Click “ **Browse** ” to search the path of the driver software.

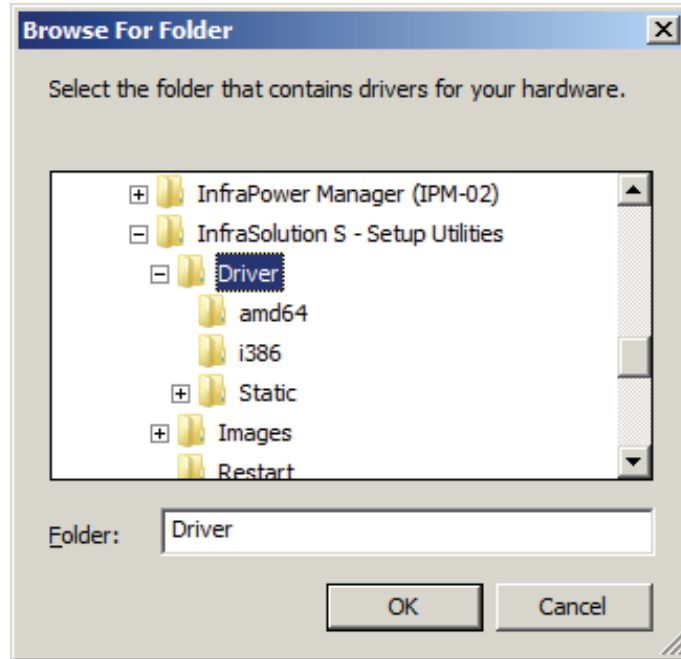


Part IV. Software Download

< 4.4 > Driver Installation for Data Input Cable

Step 6.

Select **C:\ > Program Files > InfraSolution S – Setup Utilities > Driver** & Click “**OK**”



Step 7.

Click “**Next**” to install the driver.



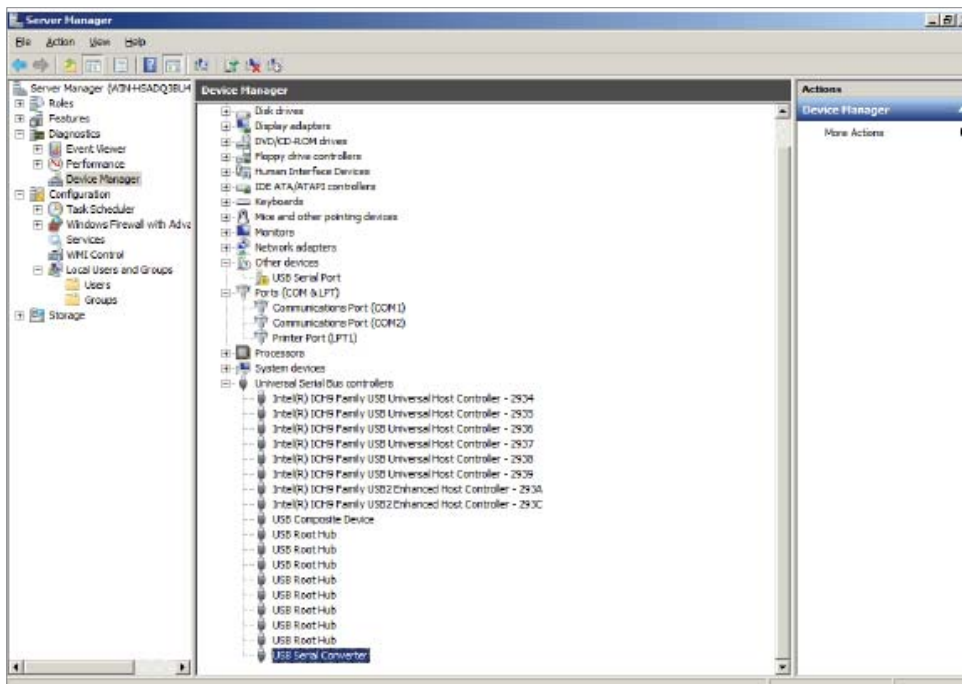
Step 8.

It takes a few seconds to complete. When complete, Click “**Close**”



Step 9.

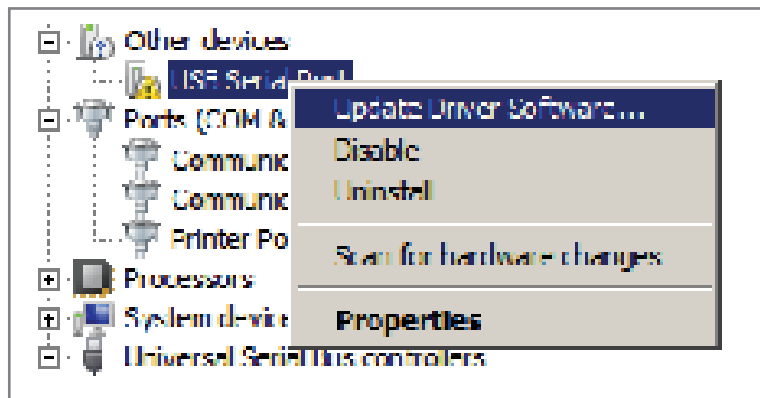
“**USB Serial Converter**” shows under “**Universal Serial Bus controllers**”.



< 4.4 > Driver Installation for Data Input Cable

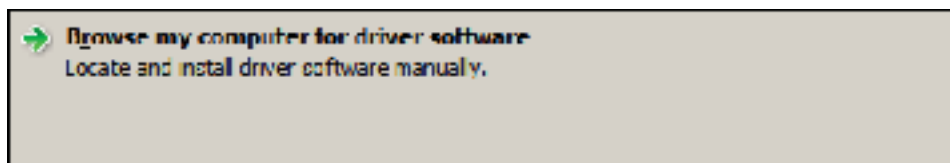
Step 10.

Right Click “ **USB Serial Port** ” under “ **Other devices** ” & Select “ **Update Driver Software...** ”.



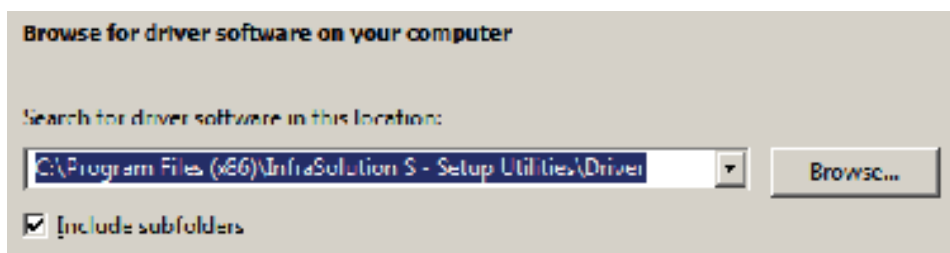
Step 11.

Select “ **Browse my computer for driver software** ”.



Step 12.

Click “ **Browse** ” to search the correct path of the driver software & Click “ **Next** ” to install the driver.



Step 13.

It takes a few seconds to complete. When complete, Click “ **Close** ”

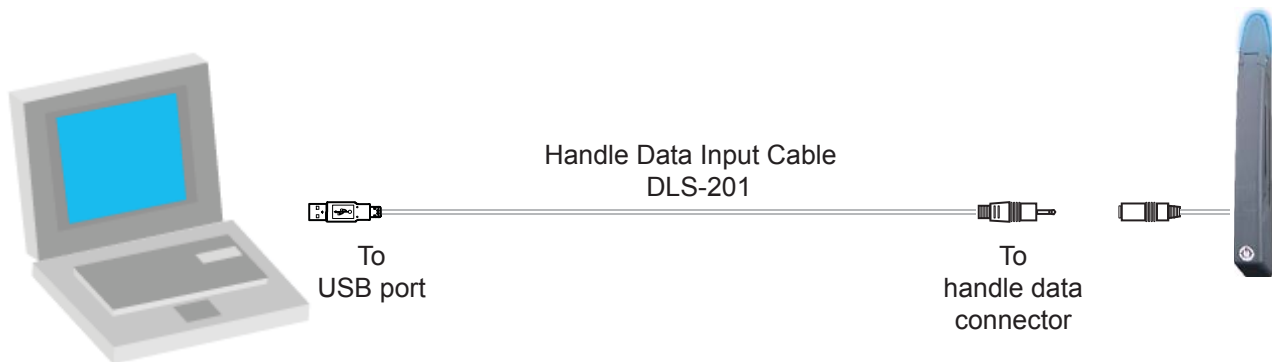
..... **Complete**

Part V. Software Usage

< 5.1 > Initial Handle Configuration

After hardware & software installation, please take the following steps to configure the handle.

- (1) Prepare the notebook computer installed with utilities software
- (2) Connect to the handle via the handle data input cable (DLS-201)
- (3) Make sure the handle in power ON status
- (4) Configure the handle according to the UI
- (5) After finish the handle configuration, please repeat the steps for other handles **One by One**



If the OS platform of the notebook computer is **MS Windows 7**, please take the following steps :

- Right Click **Utilities** , and then Select “ **Properties** “ .
- Click the “ **Compatibility** “ tab.
- Tick the box “ **Run this program as an administrator** ” , and then Click “ **OK** ” .

If don't take the above steps, the UI will not display properly.

< 5.1 > Initial Handle Configuration

InfraSolution & Utilities ISU-01 Version: 02.00.01

- Handle Information -

Handle ID: 243131279-8PD001
Model no.: S-000P
Type: Proximity
Last updated: 2013 / 04 / 18 12:22

- Handle Location -

Zone: Zone_D
Rack: Rack_E
Handle position: Front Rear

- Door Sensor -

Disable Enable

Ensure you have ordered door sensors and finished the installation and connection. Otherwise, DO NOT enable door sensor as it will cause malfunction.

Card Assignments Mode

Normal (User card only)
 Dual Card Authentication (Administrator card + User card)

Apply Cancel Print Help

Status:

Card Assignments (Max. 50)		Card Edit	Delete
1	00105208		
2			
3			
4			
5			
6			
7			
8			
9			
10			
11			
12			
13			
14			
15			
16			
17			
18			
19			
20			
21			
22			
23			
24			
25			

Handle Information

In < **Handle Information** >, shows the handle ID #, model, card type & the time of last configuration.

Handle Information

Handle ID: 243131279-8PD001
Model: S-000P
Type: Proximity
Last updated: 2013 / 04 / 18 13:42

Part V. Software Usage

< 5.1 > Initial Handle Configuration

Handle Location

In < **Handle Location** >, record the **Zone**, **Rack** and **Handle position** of the handle.

Handle Location

Zone

Rack

Handle position Front Rear

Door Sensor (Option)

In < **Door Sensor** >, enable or disable the door sensor. Default is " Disable ".

Door Sensor

Disable Enable

Ensure you have ordered door sensors and finished the installation. Otherwise, DO NOT enable door sensor as it will cause malfunction.



Ensure you have ordered door sensors and finished the installation. Otherwise, DO NOT enable door sensor as it will cause malfunction.

Card Access Mode (Option)

In < **Card Access Mode** >, select the handle to run as **Normal** OR **Dual Card Authentication** mode.

Card Access Mode

Normal (User card only)

Dual Card Authentication (Administrator card + User card)

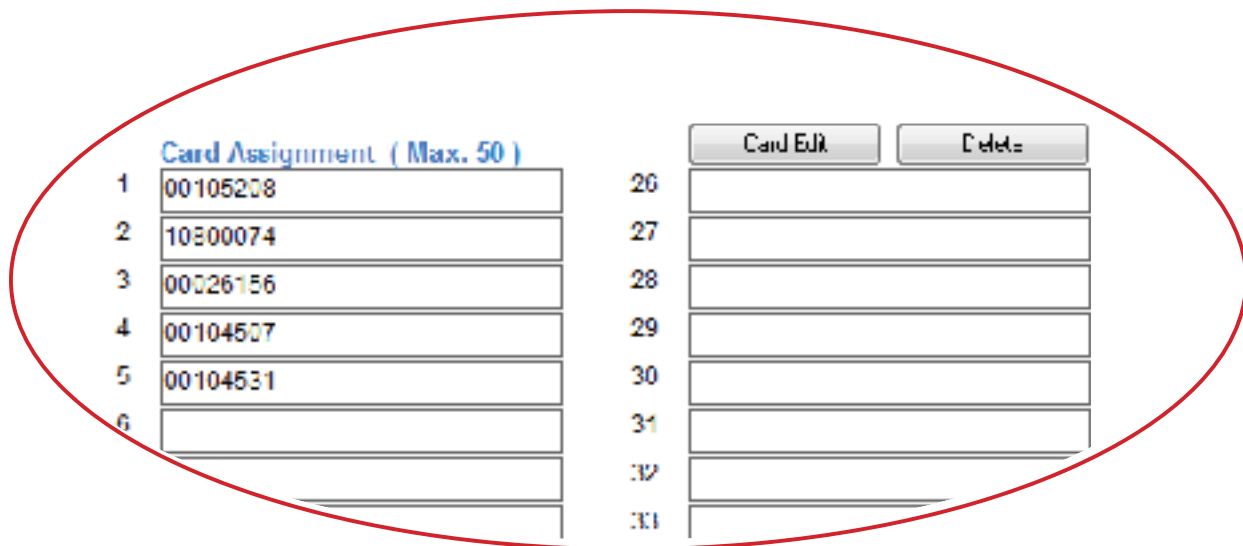
Administrator card no.



- If select **Dual Card Authentication**, please input Administrator card no. .
- Only ONE admin. card for each handle.
- User **MUST** order Dual card authentication option before delivery.
- While unlock the handle and open the door under Dual card authentication mode, present the admin. card first, then user card within 10 seconds.

< 5.2 > Card Assignment

In < **Card Assignment** >, assign, edit or delete user card.



The screenshot shows a web interface for 'Card Assignment (Max. 50)'. It features a table with 6 rows. The first five rows contain card numbers: 00105208, 10300074, 00026156, 00104527, and 00104531. The sixth row is empty. To the right of the table are two buttons: 'Card Edit' and 'Delete'. The entire interface is circled in red.

			Card Edit	Delete
1	00105208	26		
2	10300074	27		
3	00026156	28		
4	00104527	29		
5	00104531	30		
6		31		

Card Assignment by two methods

- (1) Click **Card Edit**, then direct input the last 8 digits of the card number to the field
- (2) Click **Card Edit**, then present the smartcard to the handle and the last 8 digits of the card number will be input to the field simultaneously & automatically

Card no. Change

- (1) Click **Card Edit**, then change the existing card numbers in the field

Card Delete

- (1) Click **Card Edit**, then delete the card number in the field one by one

All Card Delete

- (1) Click **Delete**, then confirm this command and all card assignment will be deleted



Click “ **Apply** “ to finish the above configuration for smartcard.

Part V. Software Usage

< 5.3 > Export & Import Handle Configuration

In < **Export** > and < **Import** >, provide a quick way to configure other handles with same or similar configuration on < **Card Assignment** >, < **Door Sensor** >, < **Card Access Mode** >.

Steps for **Export** :

- (1) Click “ **Export** ” and Click “ **Yes** ” from the pop up window
- (2) Provide the name and path of the export file and follow the instruction to complete the export

The screenshot displays the 'Infra Solution & Utilities' (ISU-01) configuration window. It is divided into several sections:

- Handle Information -**: Fields for Handle ID (243131279-8PD001), Model (S-810P), Type (Proximity), and Last updated (2013/04/18 13:42).
- Handle Location**: Fields for Zone (Zone_H), Rack (Rack_13), and Handle position (Front checked, Rear unchecked).
- Door Sensor -**: Radio buttons for Disable (checked) and Enable (unchecked). A warning message states: "Ensure you have ordered door sensors and finished the installation and connection. Otherwise, DO NOT enable door sensor as it will cause malfunction".
- Card Access Mode**: Radio buttons for Normal (User card only) (unchecked) and Dual Card Authentication (Administrator card + User card) (checked). Below is the Administrator card no. field (103030300).

At the bottom, there are buttons for 'Apply', 'Cancel', 'Export', and 'Import'. The 'Export' button is circled in red. Below the buttons, a status bar shows: "Status: Synchronizing data with handle | 243131279-81PD001 | 100%."

< 5.3 > Export & Import Handle Configuration

Steps for **Import** :

- (1) Select the handle which you want to import handle configuration file
- (2) Connect the handle to the notebook computer via the handle data input cable (DLS-201)
- (3) Click “ **Import** ” and Click “ **Yes** ” from the pop up window
- (4) Select the file to import & follow the instruction to complete the import step
- (5) After import completed, edit the field (s) on **Zone** , **Rack** if necessary
- (6) Click “ **Apply** ” to finish file import

InfraSolution 3 Utilities ISU-01

- Handle Information -

Handle ID: 243131279-8PD001
Model: S-800P
Type: Integrity
Last updated: 2013/04/18 13:42

Handle Location

Zone: Zone_H
Rack: Rack_13
Handle position: Front Rear

- Door Sensor -

Disable Enable

Ensure you have ordered door sensors and finished the installation and connection. Otherwise, DO NOT enable door sensor as it will cause malfunction.

Card Access Mode

Normal (User card only)
 Dual Card Authentication (Administrator card + User card)

Administrator card no.: 100000000

Apply Cancel Reset **Import**

Status: Synchronizing data with handle | 243131279-8PD001 | 100%

Part VI. FAQ

Utilities – ISU-01

1. What is Utilities – ISU-01 ?

- ISU-01 is a Windows based utility to provide a simple & user friendly way for initial handle setup

2. Which OS platform does ISU-01 support ?

- MS Windows XP Professional with SP3 (32bit)
- MS Windows 7 Professional with SP1

3. Why the handle ID no. NOT show in UI ?

- ensure the handle is in power ON status
- ensure the driver installation for data input cable (DLS-201) completed

4. How to do if lost the user card ?

- open the door by key and edit the card assignment

5. Why can't select " Dual card authentication " in ISU-01 ?

- ensure you have ordered this option before delivery
- if this option required after handle installation, you need to order a new handle with this option & replace the existing one

Intelligent Handle

1. How many user card can I assign to each handle ?

- up to 50

2. How many Administrator card can I assign to each handle ?

- one

3. Why does the LED light change to RED after I present a valid user card without open the door ?

- remind you the cabinet security at risk now because the handle in unlock status but the door not open yet

4. Why can't open the door even I presented a valid user card to the handle ?

- ensure the handle lock under the smartcard mode that key cylinder at 12 o'clock direction. Please refer user manual " Part II < 2.1 > Two Important Notes " .

Others

1. Where can I get the USB driver for the data input cable (DLS-201) ?

- for 32 bit OS : http://www.rackmountmart.com/download/Intelligent_handle/ISW-USBV20828-32bit.7z
- for 64 bit OS : http://www.rackmountmart.com/download/Intelligent_handle/ISW-USBV20828-64bit.7z

2. Where can find the Catalog / User manual / Model list of Cabinet Smart Card Handle ?

- please visit www.rackmountmart.com

3. How can get further support ?

- please send email to support@rackmountmart.com or sales@rackmoutmart.com

Part VII. Troubleshooting

1. Handle ID no. not shown in UI

Step 1 - Handle is OFF ?

ensure the handle is in power ON status

Step 2 - Check the driver of the data input cable installed properly ?

ensure the driver is installed properly. Please refer to user manual “ Part IV < 4.4 > Driver installation for Data Input Cable “

Step 3 - Check the USB port of the notebook computer ?

Try to plug the data input cable into another USB port of the notebook computer.

Step 4 - Data input cable defective ?

Replace another data input cable.

2. Handle can't be locked after closed the door

Step 1 - Check door sensor is installed ?

If NO door sensor is installed, please select disable in < Door sensor > in ISU-01.

Otherwise, the handle CANNOT be locked after you unlock it.

Step 2 - Door sensor sensing distance when door close greater than 3mm (Inductive sensor only) ?

Ensure the distance between the door sensor and cabinet frame is LESS than 3 mm. Please refer to user manual “ Part I < 1.4 > Door Sensor Installation ”

Step 3 - Handle lock under key unlock mode and key cylinder at 3 o'clock direction ?

Ensure the handle lock under the smartcard mode that key cylinder at 12 o'clock. Please refer to user manual “ Part II < 2.1 > Two Important Notes “

Part VIII. Optional Accessories

Inductive door sensor, pair (DLS-102)

- Light weight, mini size & adhesive
- No custom cutting required on doors
- Easy for existing cabinet retrofit or integration to new cabinet

Mechanical door sensor, pair (DLS-101)

- Low cost
- Precise
- Cost efficient integration to new cabinet
- Custom cutting required on doors

Handle data input cable, pc (DLS-201)

- Connect the smartcard handle to the laptop for handle activation, data input & configuration

Individual key lock, set of two for front & rear door (DLS-501)

- Up to 500 individual key-locks available

Unique key lock (Call for pricing)

- Unique key dedicated to single project / customer regionally
- For project size over 500 cabinets

Dual card authentication (DLS-301)

- Software upgrade for additional security
- Cabinet access by administrator card + user card

** Order this option before the delivery

Proximity smartcard, pack of 10 (DLS-401P)

- Proximity 26-bit format
- Single card for multiple application
- Custom card layout available

MiFARE smartcard, pack of 10 (DLS-401M)

- MiFARE 26-bit format
- Single card for multiple application
- Custom card layout available

Proximity card reader (DLS-402P)

- Proximity 26-bit smartcard compatible
- Convenient way for smartcard ID reading
- Driverless for easy installation

MiFARE card reader (DLS-402M)

- MiFARE 26-bit smartcard compatible
- Convenient way for smartcard ID reading
- Driverless for easy installation

The company reserves the right to modify product specifications without prior notice and assumes no responsibility for any error which may appear in this publication.

All brand names, logo and registered trademarks are properties of their respective owners.

Copyright 2013 Synergy Global Technology Inc. All rights reserved.