



USER'S GUIDE  
V: 538-01



# ISDB752B

## Bluetooth Dock and Speakers

---

For the most up-to-date version of this User's Guide, go to  
[www.iLiveElectronics.com](http://www.iLiveElectronics.com)

# Warnings and Precautions

- **CAUTION:** TO PREVENT ELECTRIC SHOCK, MATCH WIDE BLADE OF PLUG TO WIDE SLOT, FULLY INSERT.
- **WARNING:** To reduce the risk of fire or electric shock, do not expose this apparatus to rain or moisture.
- **AVERTISSEMENT:** Pour réduire le risque d'incendie ou de choc électrique, ne pas exposer cet appareil sous la pluie et l'humidité.
- **CAUTION:** Use of any controls or adjustments or performance of procedures other than those herein specified may result in hazardous radiation exposure.
- **WARNING:** Changes or modifications to this unit not expressly approved by the party responsible for compliance could void the user's authority to operate the equipment.
- **WARNING:** Do not place the unit on top of any soft, porous, or sensitive surfaces to avoid damaging the surface. Use a protective barrier between the unit and surface to protect the surface.
- **WARNING:** Use of this unit near fluorescent lighting may cause interference regarding use of the remote. If the unit is displaying erratic behavior move away from any fluorescent lighting, as it may be the cause.
- **CAUTION:** Danger of explosion if battery is incorrectly replaced. Replace only with the same or equivalent type.
- **PRÉCAUTION:** *Danger d'explosion si les piles sont remplacées de façon incorrect. Remplacer les piles seulement par le même type de pile ou l'équivalent.*
- **WARNING:** The battery, batteries, and battery pack shall not be exposed to excessive heat such as sunshine, fire, or the like.
- **WARNING:** Lithium batteries, like all rechargeable batteries are recyclable and should be recycled or disposed of in normal household waste. Contact your local government for disposal or recycling practices in your area. They should never be incinerated since they might explode.

**WARNING:** The remote control supplied with this product contains a button-cell battery that could be accidentally ingested by children. Do not leave button-cell batteries accessible to children. If swallowed, promptly see doctor and call (202) 625-3333.

- **WARNING:** Shock hazard - Do Not Open.
- **AVIS:** *RISQUE DE CHOC ÉLECTRIQUE - NE PAS OUVRI*

Mains Plug or Direct plug-in adapter is used as disconnect device and it should remain readily operable during intended use. In order to disconnect the apparatus from the mains completely, the Mains Plug or Direct plug-in adapter should be disconnected from the mains socket outlet completely.

*La fiche d'alimentation ou adaptateur de courant est utilisé comme dispositif de déconnexion et doit rester accessible pendant l'utilisation. Pour mettre l'appareil hors tension, la fiche ou adaptateur de courant doit être débranché de la prise de courant.*

Do not mix old and new batteries.

Do not mix alkaline, standard (carbon-zinc), or rechargeable (ni-cad, ni-mh, etc) batteries.

*No mezcle baterías viejas y nuevas.*

*No mezcle baterías alcalinas, estándar (carbono-zinc) o recargables (ni-cad, ni-mh, etc.).*



**WARNING:** TO REDUCE THE RISK OF ELECTRIC SHOCK, DO NOT REMOVE COVER (OR BACK). NO USER-SERVICEABLE PARTS INSIDE. REFER SERVICING TO QUALIFIED SERVICE PERSONNEL.




The lightning flash with arrowhead symbol, within an equilateral triangle, is intended to alert the user to the presence of uninsulated "dangerous voltage" within the product's enclosure that may be of sufficient magnitude to constitute a risk of electric shock to persons.



The exclamation point within an equilateral triangle is intended to alert the user to the presence of important operating and maintenance (servicing) instructions in the literature accompanying the appliance.

# Important Safety Instructions

1. Read these Instructions.
  2. Keep these Instructions.
  3. Heed all Warnings.
  4. Follow all instructions.
  5. Do not use this apparatus near water.
  6. Clean only with a dry cloth.
  7. Do not block any ventilation openings. Install in accordance with the manufacturer's instructions.
  8. Do not install near any heat sources such as radiators, heat registers, stoves, or other apparatus (including amplifiers) that produce heat.
  9. Do not defeat the safety purpose of the polarized or grounding - type plug. A polarized plug has two blades with one wider than the other. A grounding type plug has two blades and a third grounding prong. The wide blade or the third prong are provided for your safety. When the provided plug does not fit into your outlet, consult an electrician for replacement of the obsolete outlet.
  10. Protect the power cord from being walked on or pinched particularly at plugs, convenience receptacles, and the point where they exit from the apparatus.
  11. Only use attachments/accessories specified by the manufacturer.
- 
12.  Use only with a cart, stand, tripod, bracket, or table specified by the manufacturer, or sold with the apparatus. When a cart is used, use caution when moving the cart/apparatus combination to avoid injury from tip-over.
- 
13. Unplug this apparatus during lightning storms or when unused for long periods of time.
  14. Refer all servicing to qualified service personnel. Servicing is required when the apparatus has been damaged in any way, such as power-supply cord or plug is damaged, liquid has been spilled or objects have fallen into the apparatus, the apparatus has been exposed to rain or moisture, does not operate normally, or has been dropped.

**Special note:** When placing your unit on a lacquered or natural finish, protect your furniture with a cloth or other protective material.

## FCC Warnings

WARNING: Changes or modifications to this unit not expressly approved by the party responsible for compliance could void the user's authority to operate the equipment.

NOTE: This equipment has been tested and found to comply with the limits for a Class B digital device, pursuant to Part 15 of the FCC Rules. These limits are designed to provide reasonable protection against harmful interference in a residential installation. This equipment generates, uses, and can radiate radio frequency energy and, if not installed and used in accordance with the instructions, may cause harmful interference to radio communications. However, there is no guarantee that interference will not occur in a particular installation. If this equipment does cause harmful interference to radio or television reception, which can be determined by turning the equipment off and on, the user is encouraged to try to correct the interference by one or more of the following measures:

- Reorient or relocate the receiving antenna.
- Increase the separation between the equipment and receiver.
- Connect the equipment into an outlet on a circuit different from that to which the receiver is connected.
- Consult the dealer or an experienced radio/TV technician for help.

## Additional Warnings

- The apparatus shall not be exposed to dripping or splashing and that no objects filled with liquids, such as vases, shall be placed on apparatus.  
*L'appareil ne doit pas être exposé aux écoulements ou aux éclaboussures et aucun objet ne contenant de liquide, tel qu'un vase, ne doit être placé sur l'objet.*
- Battery shall not be exposed to excessive heat such as sunshine, fire or the like.  
*Les piles ne doivent pas être exposées à de forte chaleur, tel qu'à la lumière du soleil, au feu ou autres choses de semblable.*
- Caution marking is located at the rear or bottom of the apparatus.  
*Attention marquage est situé sur le panneau arrière ou inférieur de l'unité.*
- The marking information is located at the rear or bottom of apparatus.  
*Le marquage est situé sur le panneau arrière ou inférieur de l'unité.*



This symbol indicates that this product incorporates double insulation between hazardous mains voltage and user accessible parts.

## Bluetooth Dock and Speakers

### Features

- Plays and charges docked iPod, iPhone, and iPad
- iPad authentication IC
- iPod, iPhone, and iPad controls
- Made for iPod, iPhone, and iPad
- Supports Bluetooth v2.1
- Supports profile A2DP (Advanced Audio Distribution Profile)
- Wireless range: 33 feet
- 3.5mm audio input
- Component video output for docked iPods/iPhones
- Digital volume control
- LED pairing indicator
- LED Bluetooth indicator
- Full-function remote
- Detachable stereo speakers
- AC power input: requires an AC/DC power adapter (included)

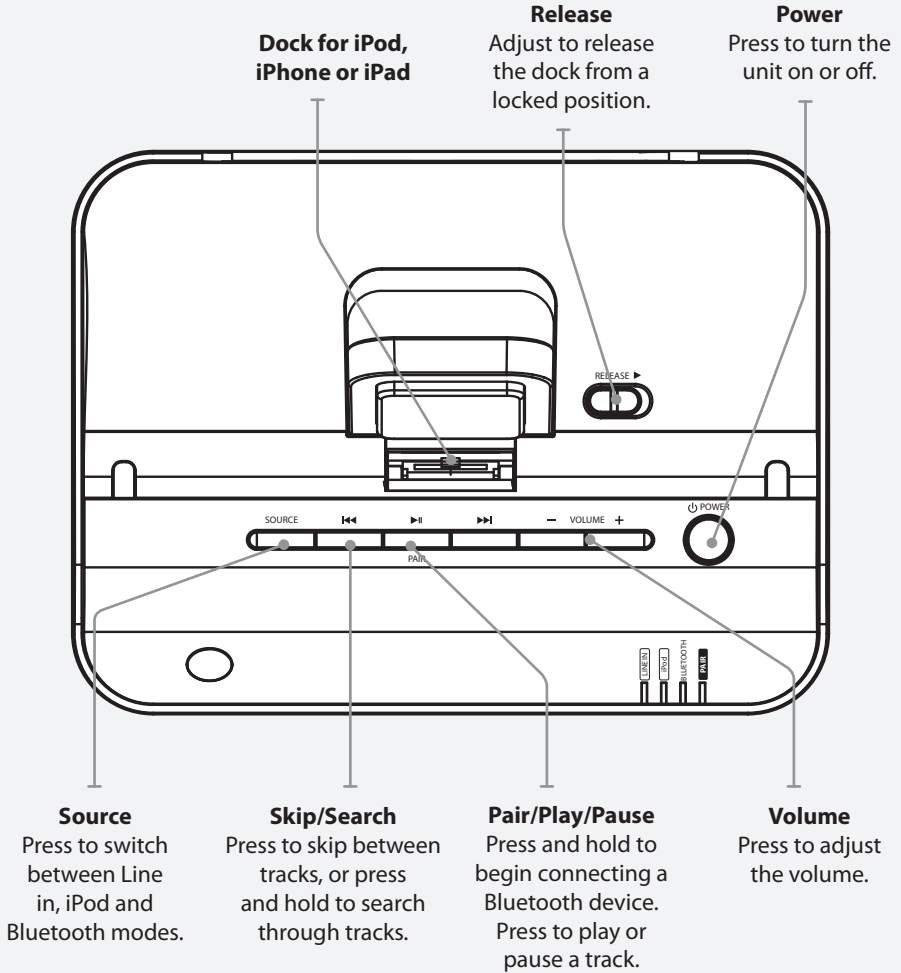
### Included

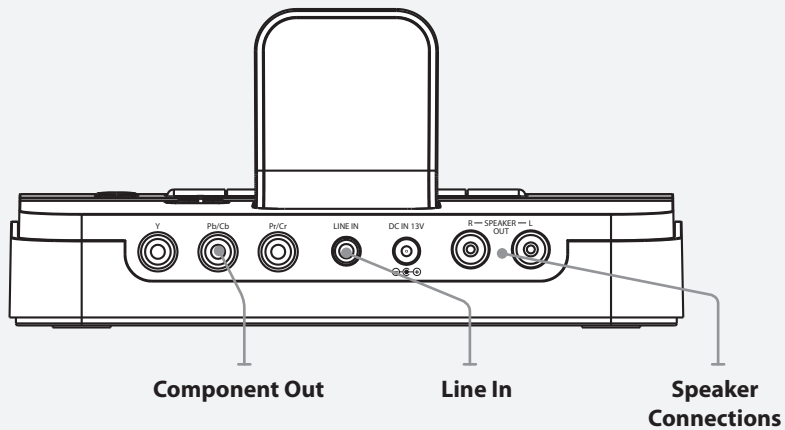
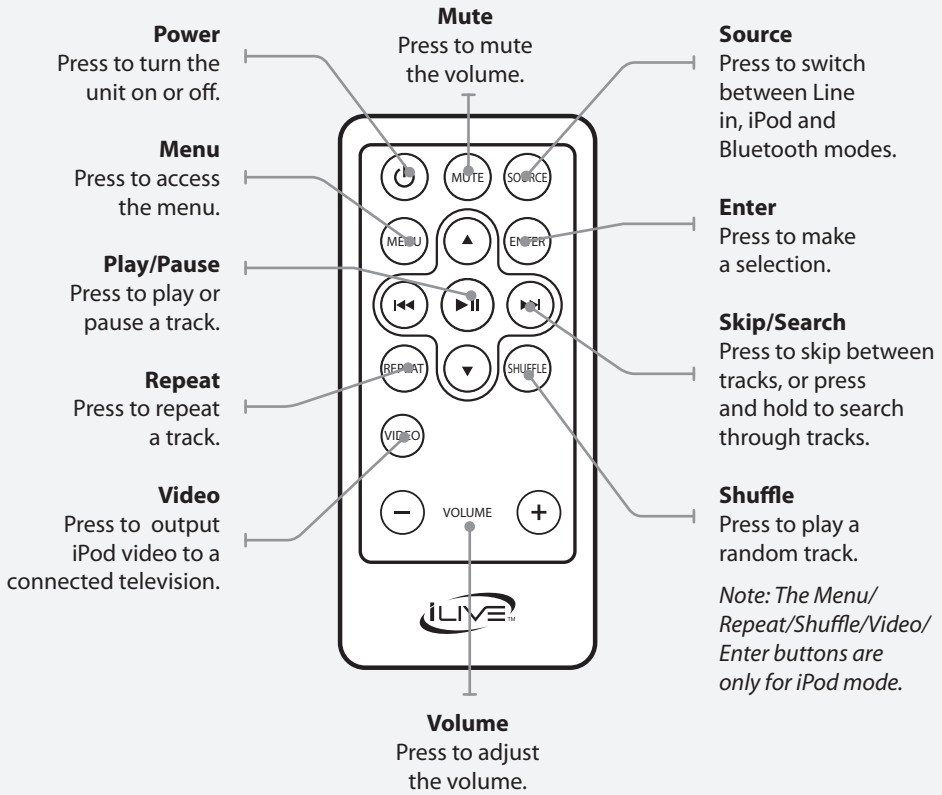
- Remote control: requires a CR2025 battery (pre-installed)
- Component video cable
- AC/DC power adapter

## Table of Contents

<b>Bluetooth Dock and Speakers</b> .....	4
Features	
Included	
<b>Table of Contents</b> .....	5
<b>Introduction</b> .....	6
<b>Setup</b> .....	8
Power	
Remote	
<b>Connecting the Speakers and RCA Audio Inputs</b> .....	8
Connecting the Speakers	
<b>iPod and iPhone</b> .....	9
Docking an iPod, iPhone or iPad	
Playing a Docked iPod or iPhone	
<b>Bluetooth Setup</b> .....	10
Pairing a Bluetooth Device	
Playing Audio Wirelessly	
<b>Video output and Line in</b> .....	11
Using the Component Video Output	
Using the 3.5mm Audio Input	
<b>Company Information</b> .....	12
International Support	
Contact Information	
Compatibility	
Warranty	
Green Initiative	

# Introduction

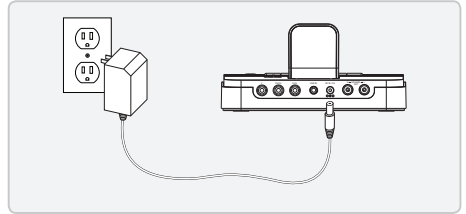




## Setup

### Power

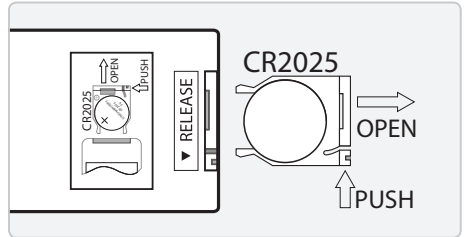
DC power input: requires an AC/DC power adapter (included)



### Remote

Remote control: requires 1 CR2025 battery (pre-installed)

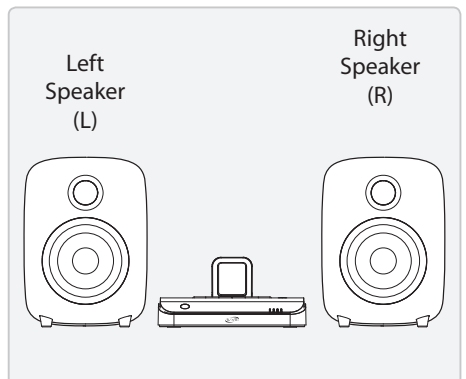
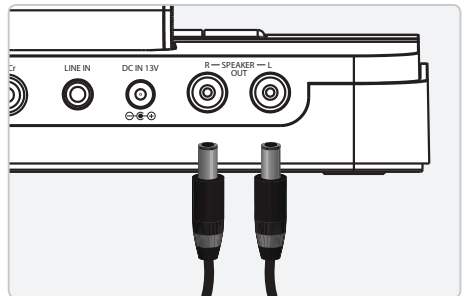
**WARNING:** The remote control's button cell battery contains mercury. Do not put in the trash, instead recycle or dispose of as hazardous waste.



## Connecting the Speakers and RCA Audio Inputs

### Connecting the Speakers

Connect the included speakers to the corresponding speaker connections on the back of the speaker system.

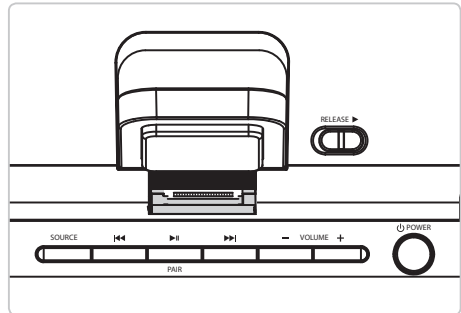
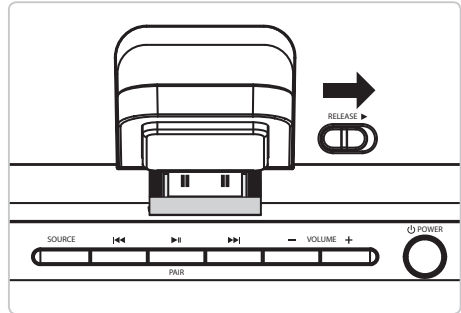




## iPod and iPhone

### Docking an iPod, iPhone or iPad

1. Connect the iPod or iPhone to the connector inside the **Dock for iPod, iPhone or iPad**.
2. If the connector has been moved into a downward locked position, slide the **Release** latch to the right so it is upright.
3. When the speaker is plugged in, using AC power, the docked iPod or iPhone will charge.



### Playing a Docked iPod or iPhone

1. Follow the instructions for [Docking an iPod or iPhone](#).
2. Press the **Pair/Play/Pause** button to begin playing the docked iPod, iPhone or iPad.

## Bluetooth Setup

### Pairing a Bluetooth Device

1. Power on the unit by pressing the **Power** button.
2. Press the **Source** button to switch to Bluetooth Mode.
3. Press and hold the **Pair** button.
4. The **Pairing Indicator** will flash blue and a voice will say "Speaker is Pairing".

*When pairing, remain within 3 feet of the unit.*

5. Using the native controls on your Bluetooth device, select the "ISDB752" in your Bluetooth settings to pair.

*If your device requests a password, enter the default password "0000".*

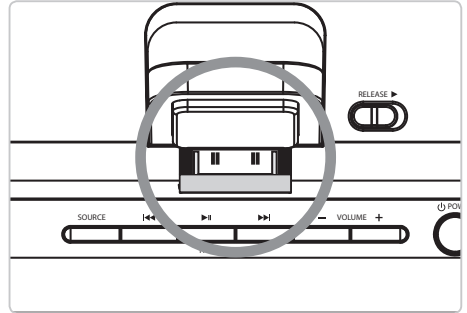
*Refer to the user's manual for your specific device for instructions on pairing and connecting Bluetooth devices.*

6. When successfully paired and connected, the **Pairing Indicator** will display a solid blue light and a voice will say "Speaker is paired".

*After initial pairing, the unit will stay paired unless unpaired manually by the user or erased due to a reset of the device.*

*If your device should become unpaired, follow the above steps again.*

*If any pairing issues should occur, unpair the unit on your Bluetooth device and follow the above steps again.*



To rest a Bluetooth device on the unit, gently press down the **Dock Connector** until it stays in place. Slide the **Release** latch to return it to an upright position.

### Playing Audio Wirelessly

1. Follow the instructions for [Pairing a Bluetooth Device](#).
2. Use the native controls on the connected Bluetooth Device to select a track.
3. To play, pause or skip the selected track, use the native controls on the connected Bluetooth Device or press the **Pair/Play/Pause** or **Skip/Search** buttons.
4. Audio played through the connected Bluetooth device will now be heard through the speakers.

## Video output and Line in

### Using the Component Video Output

*The Component Video Output will only output video from a docked iPod, iPhone or iPad.*

1. Connect a component video cable (not included) to the **Component Video Output** and a television.
2. Adjust the connected television to the proper input setting.
3. Press the **Video** button on the remote.
4. Video from a docked iPhone/iPod/iPad can now be played through the bar speaker to the connected television.

### Using the 3.5mm Audio Input

Requires a 3.5mm audio cable (not included)

1. Connect a 3.5mm audio cable to the **Line In** on the speaker and an audio output on an MP3 player or other audio source.
2. Press the **Source** button to switch to Line In Mode.
3. Use the native controls on the connected MP3 player or other audio source to play and control audio played through the speaker.

## Company Information

### International Support

To download this User's Guide in English, Spanish, or French, or to get answers to frequently asked questions, visit the support section at [www.iLiveElectronics.com](http://www.iLiveElectronics.com).

Para descargar este Manual del Usuario en inglés, español y francés, o para obtener respuestas a preguntas frecuentes, visite la sección de apoyo en [www.iLiveElectronics.com](http://www.iLiveElectronics.com).

Pour télécharger ce guide de l'utilisateur en anglais, espagnol ou français, ou pour obtenir des réponses à des questions fréquemment posées, consultez la rubrique d'assistance sur [www.iLiveElectronics.com](http://www.iLiveElectronics.com).

### Contact Information

**Email Support:** [prodinfo@dpiinc.com](mailto:prodinfo@dpiinc.com)

**Email Parts:** [partsinfo@dpiinc.com](mailto:partsinfo@dpiinc.com)

**Phone Support:** 1-888-999-4215

**Website:** [www.iLiveElectronics.com](http://www.iLiveElectronics.com)

### Compatibility

To get information on which iPod, iPhone, or iPad products are compatible with this product, go to: [www.iLiveElectronics.com](http://www.iLiveElectronics.com)

### Warranty

For Warranty Information and the most up-to-date version of this User's Guide, go to: [www.iLiveElectronics.com](http://www.iLiveElectronics.com)

### Green Initiative



Environmental Commitment to 'Protect for Today and Sustain for Tomorrow'

On a continual basis DPI, Inc. is making efforts to sustain the environment and improve the recyclability of its products and packaging.

Focusing on "protecting for today and sustaining for tomorrow" DPI, Inc. has committed to reducing packaging size, increasing the usage of recyclable plastics, and ensuring that packaging and manuals are made with up to 85% recycled material. In addition to material consideration, DPI, Inc. has also focused on the finer details that positively impact the environment such as employing the usage of soy-based inks.

DPI, Inc. also ensures that the factories that produce the company's wide variety of consumer electronics adhere to environmentally friendly air and water restrictions. This is yet another example that every step of the way DPI, Inc. is making efforts to lessen any impact on the environment.

In 2011 DPI, Inc. also began conversations with Energy Star in order to ensure that the consumer electronics being produced meet high standards of energy efficiency. The ultimate goal is keeping energy costs for consumers low while providing quality, feature-rich products.