

User manual

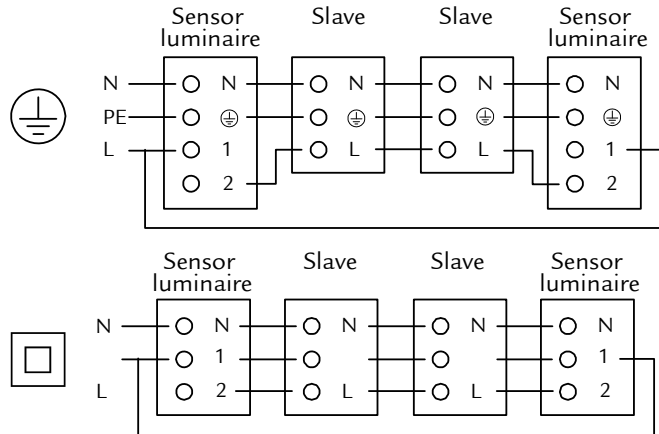
Luminaires with Micas HF-motion detector



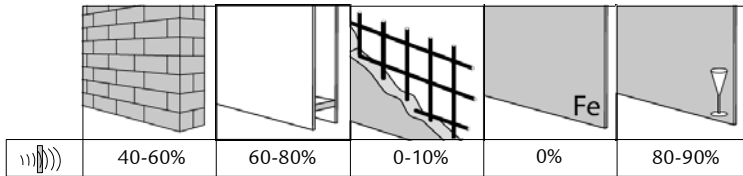
Technical data for Micas HF-motion detector:

Area of use:	Indoor mounted in ceiling or on wall.
Operating voltage:	230V 50Hz
Class	See user manual of luminaire
IP-degree	See user manual of luminaire
Frequency range:	5,8 GHz,+/-75MHz
Radiated power:	<5mW
Stand-by power:	ca. 1,0W
Detection:	360°, 120° detection angle Can detect through glass and wood.

Mounting height: Recommended height for wall mounting: 2,0m
Ceiling mounting: max 4,0m



The luminaires are equipped with 2,5mm² (Ø1,8mm) pushwire terminals with integral cable release, rated for maximum 16A. The cables must not exert any bending forces onto the terminal block contacts during connection.



Detection

The sensor detects motion (moving persons) within the detection field. If a motion is detected, the light is switched on for a defined hold time.

Motion is detected better when moving towards the luminaire.

Cautions

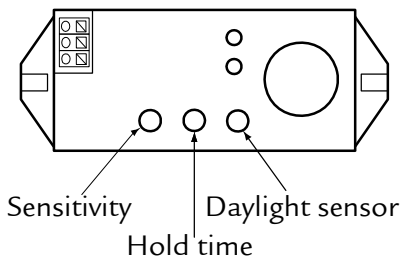
Switch off the power supply before any installation or maintenance operations!

Mounting

The luminaire must not be exposed to vibrations. *The sensor luminaire will be damaged if connected to a dimmer.*
The luminaire must be secured with a 10A fuse.

Setup

The sensor has three buttons to set up the following functions:



If a button is pressed, the corresponding function is switched to the next step.

The current step is acknowledged by flashing an LED (1...5 times, depending on current step). After reaching the highest step, it starts again with step 1.

Sensitivity setup:

- Step 1: 20%
- Step 2: 30%
- Step 3: 50%
- Step 4: 75% (factory setup)
- Step 5: 100%

The maximum detection range (100%) is up to 10m in case of wall mounting.

Daylight sensor:

- Step 1: Daylight: the lamp works always, ever during daylight. (Factory setup)
- Step 2: The lamp works only in case of a threshold value lower than approx. 300 lux*.
- Step 3: The lamp works only in case of a threshold value lower than approx. 150 lux*.
- Step 4: Twilight: the lamp works only in twilight and darkness (below approx. 50 lux*).
- Step 5: Darkness: the lamp works only in darkness (below approx. 5 lux*).

* The lux-values are measured at the sensor inside the luminaire. Actual values depend on the shape and transparency of the shade.

The "teach" mode is a special setup for the daylight sensor: The teach mode is entered by pressing the daylight-button longer than 3 seconds. The sensor then makes a calibration and works in the current brightness and below. This is acknowledged by a flashing LED. After two minutes (time to close the luminaire) the daylight is measured for one minute.

Hold time

- Step 1: 10 seconds
- Step 2: 60 seconds
- Step 3: 2 minutes
- Step 4: 5 minutes
- Step 5: 10 minutes
- Step 6: 15 minutes
- Step 7: 30 minutes

Each time movement is registered the hold time is restarted. When setting the sensitivity, or during function-testing, using shortest possible hold time is recommended.

Reset

Press the "Sensitivity" and "Hold time" keys simultaneously for 5 seconds to reset to the factory settings.

Connecting several luminaires

Additional luminaires (slaves) can be connected to the sensor luminaire. The electronics in the sensor luminaire will then control the slaves. Max. load for one sensor is 500W.

See the connection diagram above.

SG Armaturen AS

P.O. Box 105

N-4792 Lillesand

Norway

Phone: + 47 37 26 84 84

Fax: +47 37 26 84 94

E-mail: firmapost@sg-as.no