

QHY8PRO

**Cooled Color Astronomy CCD
Camera**

User Manual



CONTENTS

1)SAFETY PRECAUTIONS-----2
 2)STANDARD EQUIPMENT-----3
 3) SEPARATELY SOLD ACCESSORIES-----5
 4)CAMERA STRUCTURE AND INTERFACE CONNECTION-----6
 5)CAMERA DRIVERS INSTALLATION AND QUICKLY MASTERING -----7
 6) DC201 IINPUT VOLTAGE RANGE-----9
 7)SERVICE TEMPERATURE AND HUMIDITY OF CAMERA-----9
 8) HOW TO AVOID CCD SENSOR MOIST IN HIGH HUMIDITY----- 10
 9)NOTES ABOUT LONG TERM USING AND REMOTE OBSERVATORY----- 12
 10) PROTECTION OF COOLER-----15
 11) CLEAN THE SURFACE OF CCD CHIP-----16
 12) SET ON THE GAIN and OFFSET -----17
 15)QHY8PRO CHANICAL DIMENSIONS -----18
 16)QHY8PRO Back Focus Lenght-----19
 17)THE METHOD OF THE CENTER AND ANGLE ADJUSTMENT RING -----20
 18) SOFTWARE ABC COURSE -----21
 19) IMAGE CALIBRATION OF QHY8PRO-----29
 20) CAPTURE BIAS IMAGE-----30
 21) CAPTURE DARK IMAGE-----31
 22) CAPTURE FLAT IMAGE-----32

QHY8PRO CCD Camera User Guide

Congratulations on your new QHYCCD series purchase!

Make sure you read this guide carefully before operating your new camera! Time spent reading this guide will save you frustration and maximize the enjoyment of your new QHY8PRO CCD Camera.


- 1 Precautions**
 The larger surface area of the Large format CCD chip and cooling system are more fragile than a small or medium sized CCD. Take extra care when transporting and storing the device. Any significant impacts may damage your equipment.
- 2 Connection Sequence:**
 1. Connect USB cable from camera to PC
 2. Connect 9-pin cable from camera to DC201
 3. Connect 12V power to DC201.
- 3 Disconnect Sequence**
 1. Disconnect 12V input power from DC201
 2. Disconnect 9-pin cable from Camera
 3. Disconnect USB cable from PC
- 4 Power to the DC201 needs to be:**
 1. 4A/5A regulated DC power supply.
 2. Internal diameter of connection to DC201 is 2.1mm.
 3. Tip-positive*

***Please note the reverse polarity will cause damage for camera and a plug with a different internal diameter won't work.**

STANDARD EQUIPMENT

Make sure that the following items are included in your camera package. If anything is missing, contact the retailer from which you purchased the camera.

1 QHY8PRO Camera




4 DC102 DC adapter



2 Center and Tilt Adjustment Ring




5 9 PIN power cable



3 USB cable



6 Silicon gel tube (one)



**Accessories Sold Separately
(Contact your dealer for pricing and ordering information)**

1 100-240V TO 12V
AC adapter



2 Full Air proof box with
electric heating
silicon gel



Camera Interface

- 1: Camera Front Part
- 2: CCD Chamber Air socket
- 3: M42/0.75 Inner screw
(Depth:3mm)
- 4: IR block optic window
- 5: Heat Sink Exhaust



- 6: 9pin power socket
- 7:USB socket
- 8:Guiding/Control
signal socket RJ11
- 9:Heat sink air intake

Camera Software Installation

- ❶ Please download last QHY8PRO system driver from <http://www.qhyccd.com/download.html> (WINUSB 64/32version) This version support windowsXP, windowsVista and windows 7, 64 and 32bit version.
- ❷ Run installer.
- ❸ Connect the camera to computer with USB cable. Do not connect 9pin power cable this time
- ❹ System will find new device. Wait till installation finished(In XP select "No"->"Next Step"->"Install automaticly"
- ❺ After successfully installed, the LED of camera will flash.
- ❻ Download and run the the driver version detector software from www.qhyccd.com/download.html Click QHY8PRO button.Check if it the installed driver the latest version
- ❼ Use 9pin power cable connect DC201 and QHY8PRO. Please note the side with EMC ring should connect to DC201
- ❽ Connect DC201 with 12V input. The LED of DC201(+15,-15.+5) should be on
- ❾ Download EZCAP software from <http://www.qhyccd.com/download.html> Click "scan camera" from main menu. The QHY8PRO will be highlight. Check it on.
- ❿ Check if DC201's FAN and TEC LED on and check if the fan of QHY8PRO running.

DC201 Input Voltage Range

The DC201 requires a regulated 12V input. The normal input range is 11V-13V. If you exceed 13V- common when you are using an external battery, the higher voltage will reduce the life of the TEC and Fan. If you exceed 13V, please limit the maximum power of your Cooling Settings. This can be controlled via "TEC PROTECT" in the "Favorite" menu of EZCAP. Please select it. If you are using the ASCOM driver, this has been set automatically.

Service Temperature and Humidity of Camera

Service Temperature of this camera is from -20C/-4F to +30C/86F.

Relative Humidity amount is from 0% to 90%.

How to avoid CCD sensor moisture in high humidity environments

In certain environments, when the temperature of the camera drop below the dew-point, dew or ice may form on the camera. This is simply a law of nature. However, ice and/or dew which form on the surface of CCD chip or optic window will impact your images. If dew or ice forms on the surface of CCD, the water can flow onto the electric board, which leads to short circuit or data corruption. It is critical that you avoid dew or ice formation during operation on the CCD chip.

What if dew forms on the surface of CCD chip?

The internal space of CCD camera is relatively airtight. If dew forms on the surface of CCD chip, this indicates that there is higher relative humidity in the CCD chamber. You must dry the chamber using the following method:

1. Screw off the air socket screw on front part of CCD sealed chamber
2. Put fresh silica gel in silica gel tube. Before putting silica gel, a small piece of cotton is needed to create a barrier between the hole in the tube and the chamber

3. Screw silica gel tube into the connection of the sealed chamber. Make sure the rubber O-Ring is present to ensure an airtight connection.
4. In about 24 hours, the proper relative humidity should be restored in the CCD sealed chamber

If you need to dry the chamber faster, you can use the following method:

Using compressed air or a hand pump with dry air, make dry air go through the silicon gel tube. Meanwhile, slightly unscrew the front cover of CCD. The air current will flow over the CCD sealed chamber through the air connection of the CCD. Then air will flow out from the gap between the unscrewed front cover of CCD and the body of CCD. After a few minutes, the relative humidity in the CCD sealed chamber will get lower. Please note, too high of a pressure can damage the CCD chip and the cooling system.

Dew is formed on the IR cut glass

If the cooling temperature is too low in a high humidity environment, the CCD optic window may collect dew. This is because the temperature of the window is too low.

The QHY8PRO uses 3mm thick optic glass. Although this glass should prevent dew, follow this procedure if you run into problems:

1. Install M42 to M42 heater produced by QHYCCD, The heater will raise the temperature to avoid dew forming. Consult your area dealer to purchase.
2. Reduce the cooling power. The best temperature range for QHY8PRO is from -15°C to -20°C . Please adjust cooling temperature according to the ambient temperature.
3. Don't put the glass window of the CCD upside down. Cold air will focus on the optic windows if it is upside down. It will cause lower temperature of optic windows.

You should shut off all power after you are finished using your CCD. If the camera is still on (via USB), any ice crystals around CCD chip will melt which can corrupt or short-circuit the PCB board.

Notes about Long term use camera and Remote Observatory

If you have to keep the camera working for a long time or the camera is working in a remote observatory, please follow the following procedures, and we recommend that you consult your area dealer for more details.

1. Before using the camera, always check that the CCD chamber is sealed and dry. If there is a lot ice crystals around the chip-this indicates a high relative humidity in the CCD chamber. You must dry the CCD chamber.
2. Check the air tightness of CCD sealed chamber. You can check this by increasing the internal pressure of the CCD sealed chamber with a hand pump(do not exceed 1.01MP). Then watch if the pressure drops. If the pressure drops quickly, this indicates a lack of air tightness. You need to check if the front cover is screwed on well.
3. Put effective desiccant in the dry tube and connect continually with CCD for a long term drying.
4. Don't supply power to the CCD for several days or even weeks if possible. Use a power controller to control 12V input or AC input.

Clean the surface of CCD chip

If dust coats the surface of the CCD-it will impact the your images and possible create “dust donuts” and other artifacts.

If there is only a small amount of dust, we suggest just using flat fields calibration to remove them.

Cleaning tips

You can open the front cover of CCD to clean the surface of chip. You don't have to open the front cover of CCD(this can be delete because ccd front cover can not be open)

Screw the front cover of CCD counterclockwise, and clean the dust off of the surface of CCD with a manual air pump. If there is dirt that doesn't come off with the air pump, you can use lens paper or a commercially available SLR camera cleaning kit. Here is the correct procedure to follow with the lens paper:

1. Wash your hands with soap.
2. Take a piece of lens paper, and fold it once or twice (do not fold too many times as the lens paper will get very sharp and the edges may scratch the CCD glass surface)



3. Blow at CCD in a breath and use lens paper to clean the CCD surface. Make sure to maintain an appropriate pressure for CCD with your hand.

4. Finish cleaning and reinstall the front cover of CCD. If there is higher relative humidity in your environment- it is necessary to dry the inside of the CCD sealed chamber.

Setting the GAIN and OFFSET

Unlike many other manufacturers, QHYCCD leaves the the internal settings of the camera ADC GAIN and OFFSET settings so that you can get the absolute best performance out of your CCD.

GAIN is the pre-ADC programmable gain amplifier gain setting, the range is from 0 to 63.

OFFSET is the ADC voltage offset setting.

The correct setting of OFFSET and GAIN can change the CCD camera system gain, which match CCD output signal range and scope of the quantitative ADC to get the best dynamic range.

Usual Calibration Method:

1. Set the Gain=0
2. Set the exposure time to 0 and cover the lens-this is a BIAS frame .
3. Watch the local average of the captured images (can use the Noise Analyze function of EZCAP)
4. The ideal average value is around 500 to 1000. If the value is higher, then you should reduce the OFFSET. If the value is lower then you should increase the OFFSET.
5. Repeat steps 2-4 to obtain the ideal OFFSET value.

6. Open the lens cover and increase the exposure time. Use a uniform light source, such as light boxes or an LCD screen, and take a saturated exposure of the image.

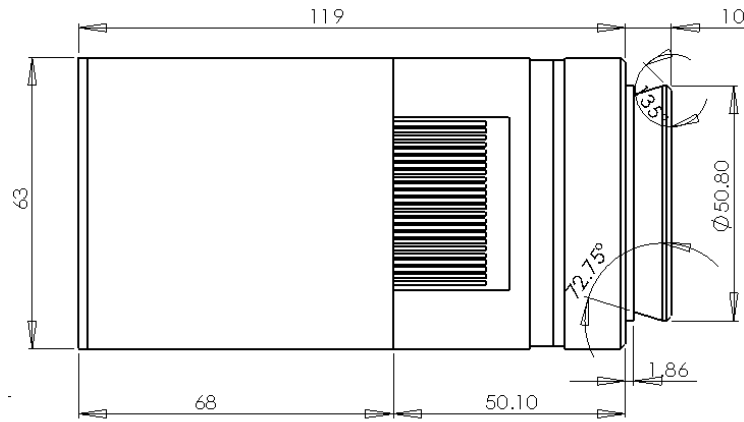
7. Watch the local average value of the captured images if the value is is less than 60,000, you need to increase the value of GAIN, if the value is 65535, then reduce the GAIN .

8.Repeat steps 6-7 to obtain the appropriate GAIN value.

9.Under the GAIN, repeat steps 2-4, and obtain more accurate OFFSET。

Note A: For some QHYCCD products when you use bin modes of 2x2,3x3,4x4, images may reach 65535 even with gain set to 0.

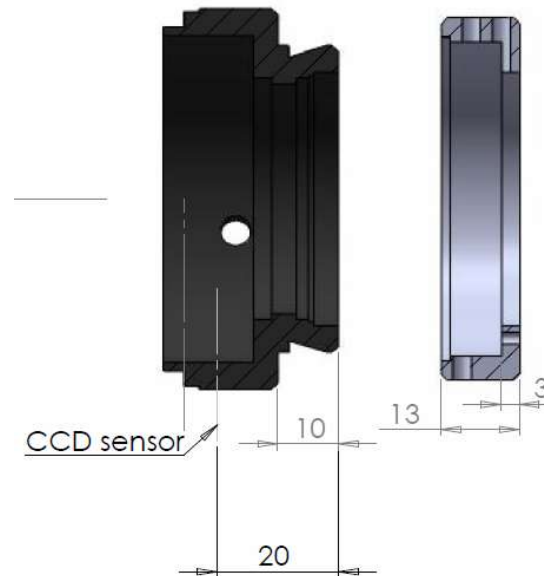
QHY8PRO mechanical dimensions



QHY8PRO back focus distance

The back focus length of QHY8PRO is 20mm, as shown without the center and angle adjustment ring.

If you connect the center and angle adjustment ring- the rear cut-off distance will increase by about 3mm.



Using the Center and Angle Adjustment Ring

- 1 There is a M42/0.75 thread on the QHY8PRO, which can connect directly with the telescope. If it needs adjustment, then the center and angle adjustment ring should be used.
- 2 Center adjustment---- unscrew the three screws around the ring. The adjustment ring will sets into the dovetail slot of QHY8PRO. By adjusting the location of the three screws, you can achieve about 1mm center adjustment.
- 3 Angle adjustment-----slightly unscrew the three screws. There is a small screw on the slide side of the ring, which adjusts the size of inclination angle. If you rotate QHY8PRO relative to the adjustment ring, you can obtain the correct angle.
- 4 After finishing the adjustment you should lock up the three screws.

Simple first light

Although QHY8PRO is supported by many 3rd party software, we still suggest you strongly to use the software distributed with the CCD----EZCAP. Especially when you are first using the QHY8PRO. EZCAP will be able to correctly verify your camera being able to work regularly or not.

EZCAP

- 1 Run EZCAP.exe
- 2 Choose [Scan Camera] in Camera menu
- 3 If computer system find the hardware, EZCAP will show [QHY8PRO], click [QHY8PRO]. At the same time the Preview group which is located on the left of EZCAP will open automatically.
- 4 Set GAIN to 0, OFFSET 125
- 5 Setting Exposure time
- 6 Click the button **【Snap】**, the camera will start to exposure and show image.
To stretch the **【Histogram】**, select the appropriate range. The Histogram intensity usually can be observed, stretch at the different section, make this area is just the scope of Histogram.
- 7

- 8 Click the Live Preview option. This lets you achieve a continuous preview. We recommend select the shorter exposure time (100-500ms) for obtaining faster preview speeds.
- 9 Adjust the lens or the telescope focus and get the a shape image.
- 10 Stop Live Preview
- 11 Select a good star point or target in the image area using the left click of the mouse.
- 12 Open the FOCUS column. Click the FOCUS button to get a focus image.
- 13 Adjust Histogram of gray column to choose the appropriate range.
- 14 Click Live Focus option again. Click the area of image to get a more precise target. At this point, it will show the analytic curve in the Screen View column and a 5x zoom focus image. While it's exposing, the FWHM column will show the width of stars and the intensity of the star point peak. Generally, smaller FWHM and bigger peak intensity indicate the better focus.
- 15 When you finish Focusing, open the Capture column and start shooting.
- 16 Set the appropriate value of Gain, Offset and exposure time
- 17 Select 1x1 Binning mode, select the low read-out speed. Click Capture to shoot.

EZCAP can control temperature manually or automatically for the QHY8PRO camera.

Choose Temperature Control from the Setup menu. There are three temperature control options in the window. TEC OFF, Manual and Auto Control. TEC OFF will turn the cooler of the camera off immediately. Manual will adjust the power % of the cooler. It can be adjusted by the PWM regulation section on the left. The range of regulation is from 0% to 100%. Auto Control will adjust the power % of the cooler dynamically to maintain a constant sensor temperature set by the user.

Images which are produced by EZCAP will cover the area of Overscan and Optic black as shown in the reference image on the right of this page. Data from these regions can be used for CCD image preprocessing. But not all software capture produce this kinds of area.



MAXIMDL ASCOM Connection Mode

Steps

- 1 Please download the latest version of the ASCOM Platform from <http://ascom-standards.org/>. Install ASCOM and ALSO download any UPDATE that is available.
- 2 <http://www.qhyccd.com/download.html> download and install the ASCOM driver of QHY8PRO.
- 3 Run MAXIMDL software. Select the camera icon in the toolbar. The Camera Control window should appear. Press Setup Camera button inside this window.
- 4 Select ASCOM from the menu of Camera Mode. Click the button of Advanced button .Select types of QHY8PRO CCD from the window of ASCOM Camera Choose. and then click the button of Properties to set some usual value of parameters, like the value of GAIN ,OFFSET and the speed of read-out. Click the button of OK and back to the window Camera Control, click the button of CONNECT.
- 5 Select the tab of Exposure from the window of Camera Control.
- 6 Select option of Find Star and set the exposure time
- 7 Click to select the "No Calibration" from the popup menu of OPTION.
- 8 Set the merge mode with X and Y ,like choose X=4,Y=same.
- 9 Press the button of Start to exposure and shoot .
- 10 When finished shooting, images will be showed. You can use the tool of Screen Stretch to adjust the stretching of image.

Color Image Taken

The Binning modes of QHY8pro include 2x2,4x4. **These two modes only output grayscale image.** So these two modes are only useful for focusing and previewing. If you want to get a color image, please select the combine mode 1x1.

Changes from the above steps number 8:

- 8) Set the merge mode with X and Y ,like choose X=1,Y=same.
- 9) Press the button of Start to exposure and shoot .
Soon image will be showed in form of RAW which are still grayscale image. Select Convert Color from Color menu belong to MAXIMDL,set OFFSET,X=0,Y=0 On Convert Color menu. Choose Generic RGB from the dropdowns box of Select Camera. On the window of Preview check if the color is right. And then click OK .You can obtain the color image after a while.
If the color is not right ,please try to change the value of OFFSET,X ,Y on Convert Color menu ,include the type of camera on Select Camera menu.
- 10

Note: In order to improve the focus function and the speed of preview, There is a Button In Fast Setting window. You can click it and Select high download speed for preview and focus

AstroART ASCOM Connection Mode

- 1) Please download the latest version of the ASCOM from <http://ascom-standards.org/> If there is the latest UPDATE of ASCOM,do it together.
Install ASCOM and its UPDATE
- 2) According to the instructions about driver connection of ASCOM from <http://www.qhyccd.com/download.html> download and install the ASCOM driver of QHY8PRO.
- 3) Install AART3.0 and AART4.0 updates. You will copy AART's CCD-link library (piccdgui.dll, download from the AART website) to AATR installation directory. Then install the driver AstroART of ASCOM.
- 4) Run AstroART software ,select CCD Camera from the ithe Plug-in menu bar, which will be appeared the window of CCD Camera Control Panel. Select types of Imaging/Guide Camera for ASCOM from the columns of Setup. Click the button of SETUP, select QHY8PRO CCD Camera and set appropriate value of GAIN and OFFSET in menu bar of Properties, then Click OK.

- 5 If the camera of QHY8PRO is connected successfully, AART will show the window of temperature control. Please set Target as what you want to be required value of temperature.
- 6 There has a Setting column which is located the window of CCD. Please select pixel merge mode.
- 7 Set the exposure time under the window of CCD.
- 8 Click the button of START and shoot a image.
- 9 If you want to get a color image in the state of mode 1*1,you need to use the color transformative function of CCD Color Synthesis belong to the menu bar of COLOR. Select RGE image and the advisable value of X,Y and OFFSET ,so click OK.

Note: In order to improve the focus function and the speed of preview, There is a Button In Fast Setting window. You can click it and Select high download speed for preview and focus

Image Calibration of QHY8PRO

Image calibration means to calibrate the CCD with a BIAS field, a DARK field and a FLAT field. You can completely remove thermal noise of the CCD through proper calibration. Additionally ,you can obtain better image highlights. You can remove dark spots which are caused by dust on the surface of the CCD. Image calibration is a critical step for serious astronomical photography.

In order to obtain accurate calibration information, you need to use the QHY8PRO temperature controller. CCD should be set in **fixed temperature** state. And temperature should remain the same when shooting .

The temperature control of EZCAP is located in Temp Control of the menu bar of Setup. You can stretch the temperature control section on the right of the window of Temperature Control to set the temperature what you want .And then select Auto Control ,that means CCD has been the homoeothermic control.

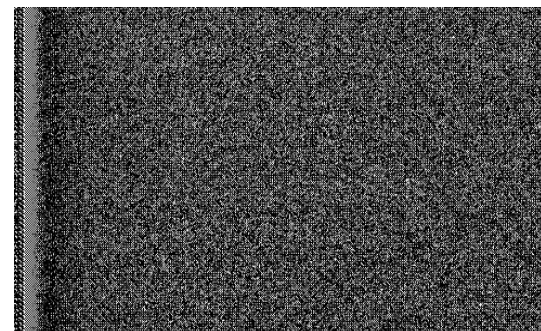
It will take some time to achieve the target temperature for CCD. You have to wait a moment until the temperature of CCD has been stable ,you can start to shoot and calibrate image.

The Calibration Principle of CCD Image

Calibrated image= $[(L-B)-(D-B)]/(F-B)=(L-D)/(F-B)$

There, L is the actual shooting image, D represents the Dark Frame images, B represents BIAS image and F means the FLAT image.

Note: In most cases, there maybe appear some Vertical stripes in the image which is formed by lots of BIAS or DARK image stacked. This is normal. There will not appear such Vertical stripes after this image is calibrated.



Partial Cropped BIAS Image (B)

Capture BIAS Image

BIAS image means exposure time of images is Zero. You need avoiding any light to enter into CCD Sensor when you shoot image. So you have to cover the lens cap of camera.

Set Exposure Time to 0, and then use the low speed to shoot many (10 -50 sheets) BIAS image. Save and overlap them .Use the function of average overlapping, do not match with position to get one BIAS Master image. Save this image.

Capture DARK Image

DARK Image means the image which of the exposure time is the same as the time it took officially. You have to avoid any light enter into CCD sensor. Therefore you have to cover the lens lid.

The exposure time should be set the same with shooting time .and then use the low speed and mode 1 * 1 to shoot about (10 -50 sheets) BIAS image. Save and overlay these images to form a Dark Master image. Save the image.



Partial Cropped DARK Image (D)



DARK image which be calibrated by BIAS Field (D-B)

Capture FLAT Image

FLAT image can be used to rectify the problem of the center light but the edge dark which caused by the vignette of optical system. It also can be corrected the problem due to some small dust on the CCD sensor glass surface.

Flat-field calibration method is this: you need uniform luminous lightbox. The lightbox will be placed in front of the telescope. You would set the appropriate exposure time, then continuous shoot 10-50 frame flat-field images. Save and overlay these images to form a FLAT Master image, save the image.

To obtain an accurate flat-field calibration, Please note the following matters:

You have to take immediately flat-field images before the shooting or after finishing shooting. Like do this in order to avoid dismantling the device, dust on CCD surface and vibration of CCD cause the change of location. The scope of exposure is better for 30% of the maximum dynamic range , which means you have gotten 20000-30000 pixel of flat-field image.

Images of BIAS Master, DARK Master and FLAT Master will be calibration data as image post-processing of the captured images .