

stûv₃₀

Subtle curves, endless possibilities

30

Stûv Stories +Stûv 30

Heating,
innovation
and aesthetics
as sources of
inspiration

stuv.com

Stûv Stories

Welcome to the world of Stûv! Our products provide ways to layout and rearrange your interior. The story that they tell is straightforward and warm, simple and efficient. A story where appearance is functional and where objects blend into the architecture. Quality and perfection are the watchwords at Stûv. To improve is to simplify. This means humanising design. It also means constant innovation until a perfect harmony is found between pleasure and respect for the environment. Stûv is a state of mind.

Stûv Stories +Stûv 30

Revolutionary...
thanks to its three
different uses



Model shown: Stûv 30 with ground plate



Exceptionally versatile, the Stûv 30 meets all your expectations. A fireplace, a wood stove, a ready-to-fit: there is always a Stûv 30 which corresponds perfectly to what you are looking for. Three different uses are possible, offering a harmonious blend of form and function and aesthetics and architecture for your interior. In addition, you will have an unrestricted view of the fire and increased heat output thanks to a state-of-the-art combustion system.

Stûv Stories +Stûv 30

The exceptional versatility of the Stûv 30 range

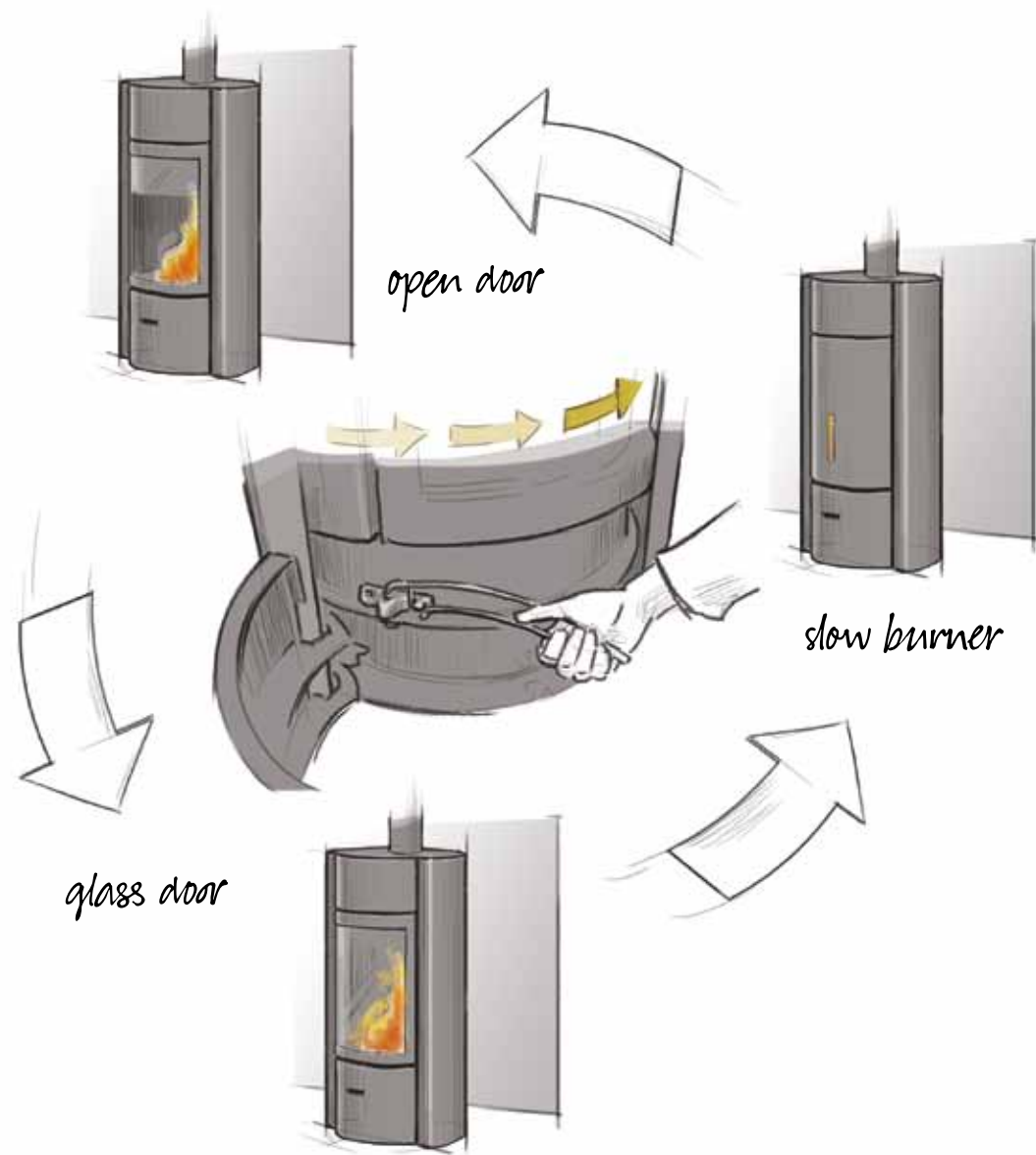


the beauty of
functional
design

 Stûv Stories

Three doors, three moods

Changing mode only takes a few seconds: all you have to do is turn the drum of your Stûv 30 until the door you want is in front of the opening. The glass door offers a magnificent view of the flames and guarantees safety, ecology and energy conservation thanks to its excellent performance. The slow burner door reduces the fire and optimises the output. The open fire mode lets you benefit fully from the crackling of the flames, the scent of wood fire... and even a barbecue!



Stûv Stories +Stûv 30. The luxury of choice

- + Glass door: watch the flames in complete safety
- + Solid door: optimise performance
- + Open door: enjoy the complete authenticity of the fire



glass door

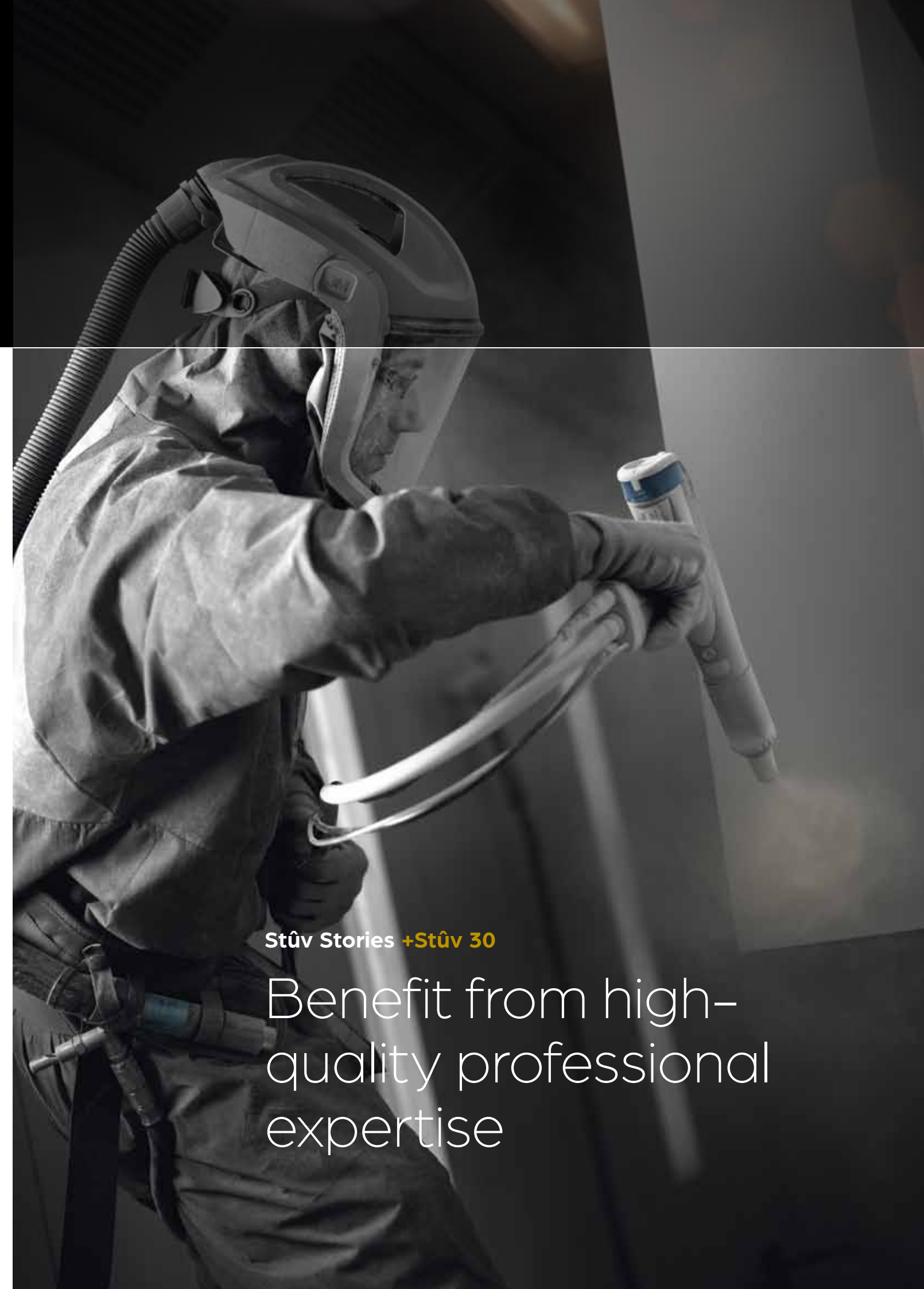
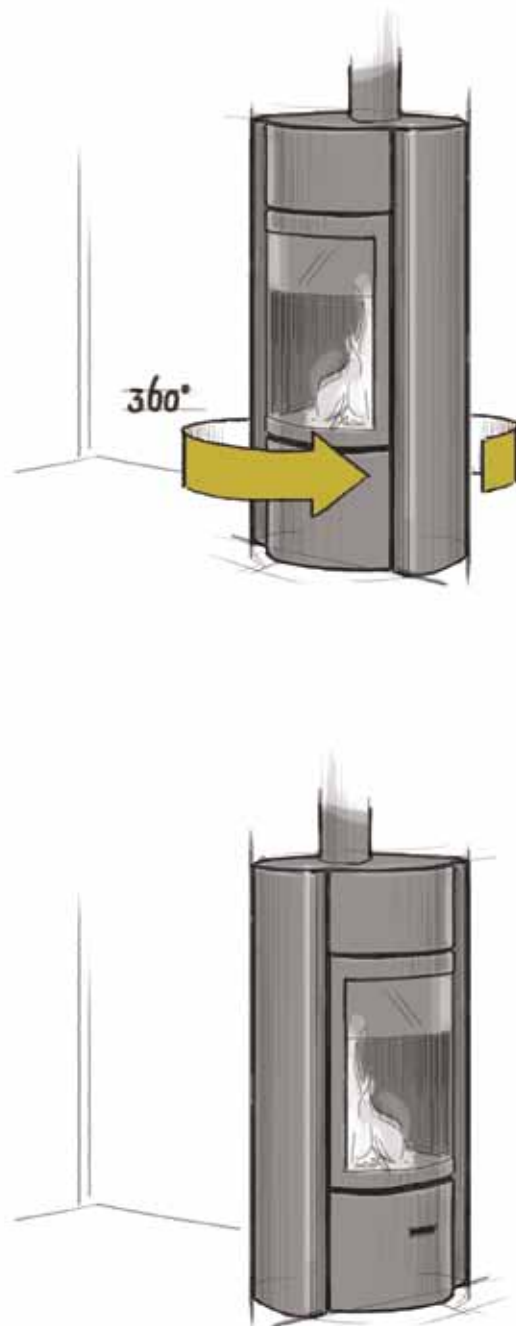
slow burner

open door

Profit by 360 %

In order to take maximum advantage of the enveloping heat and the unrestricted view of the flames, the Stûv 30 can be installed on an invisible swivel base. So, for example, you can direct the stove toward the lounge, and then towards the dining room.

+ Convenient option for the Stûv 30 and 30 H: a swivel base to direct the stove



Stûv Stories +Stûv 30

Benefit from high-quality professional expertise

Stûv Stories +Stûv 30

- + Three modes of operation
- + Air-funnelling option
- + Revolving base optional
- + Option: ground plate

More heat,
more innovation,
more usage options

Timeless and revolutionary all at once

The Stûv 30 was the very first stove to have three modes of use. Even today, it remains a revolutionary innovation with its three doors which revolve according to your wishes. The window is a call to admire the inviting spectacle of the flames. Without the window, the open fire lets you enjoy a crackling fire with a pleasant diffusion of heat. With the door closed, you can enjoy a gentle heat throughout the home. Changing the mode of use is very simple: you just need to turn the door of your choice so that it lines up with the opening of the stove. All that remains is for you to enjoy the moment!



Stûv Stories +Stûv 30-H

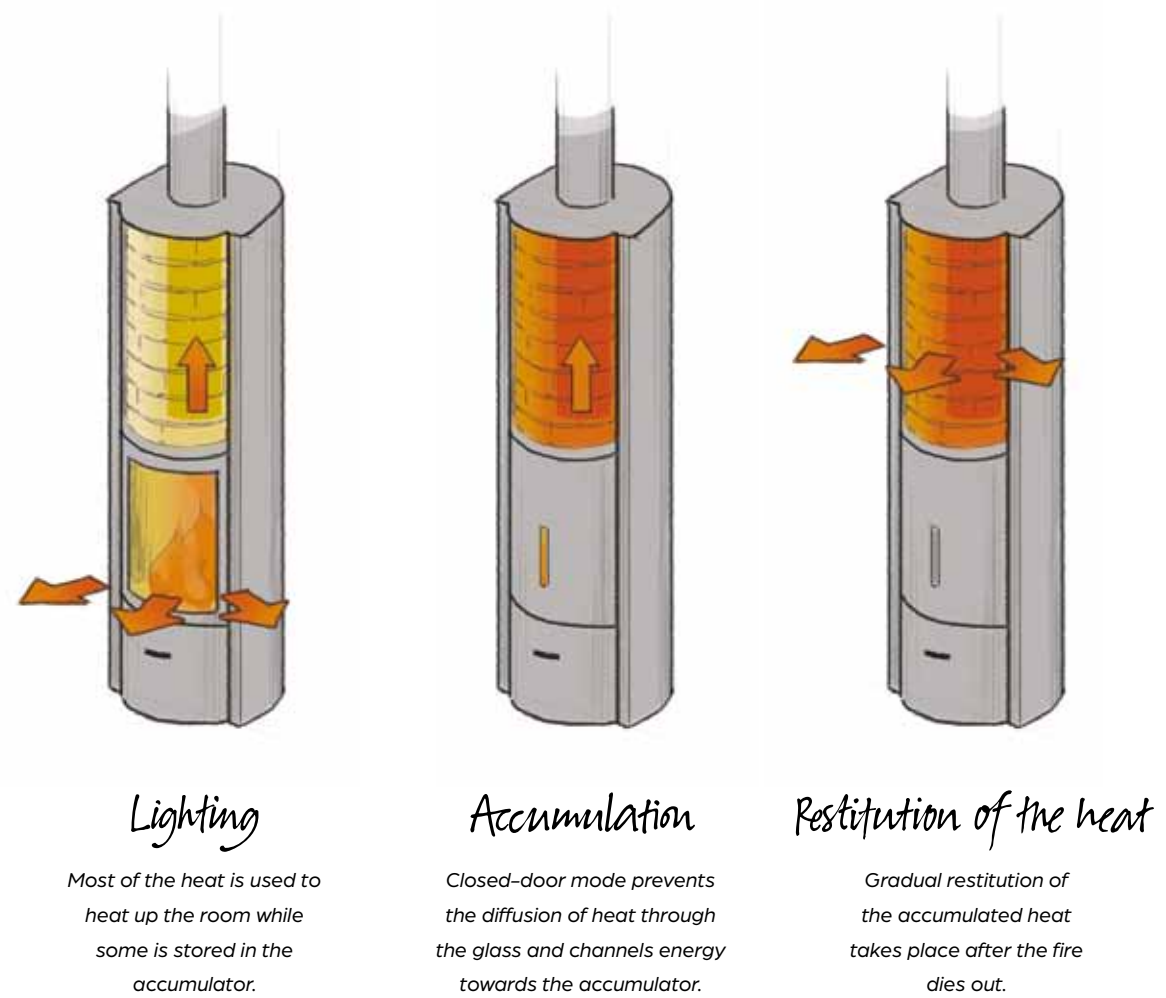
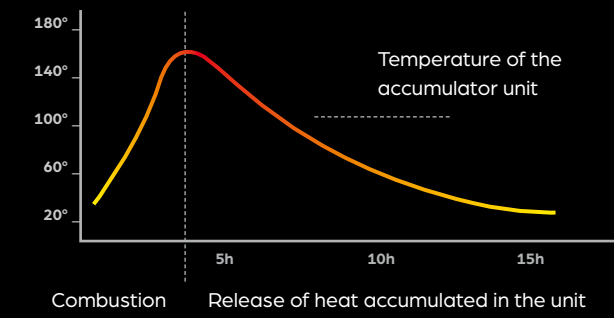
Enjoy the heat
accumulation!

- + Three modes of operation
- + Air-funnelling option
- + Optional accumulation system
- + Revolving base optional
- + Option: ground plate



Stûv Stories +Stûv 30-H with heat storage

The Stûv 30 can be equipped with an accumulator unit which stores part of the heat. When the stove is turned off, the accumulated energy continues to diffuse for several hours, thereby prolonging the feeling of warmth and well-being.



Stûv Stories +Stûv 30-up



- + Suspended stove
- + Ideal size for small rooms or low-energy houses
- + Option to connect to outside air
- + And of course.... three modes of use



Stûv Stories +Stûv 30-in B

- + Three modes of operation
- + Ability to be connected to the outside air
- + Air-funnelling option
- + Fan option
- + Option: ground plate

Simplicity of the fitting, subtlety of the curves: customised installation, the fire and heat become one with your interior.

Subtly integrated
at the heart of
your home



An ambiance of
warmth and design

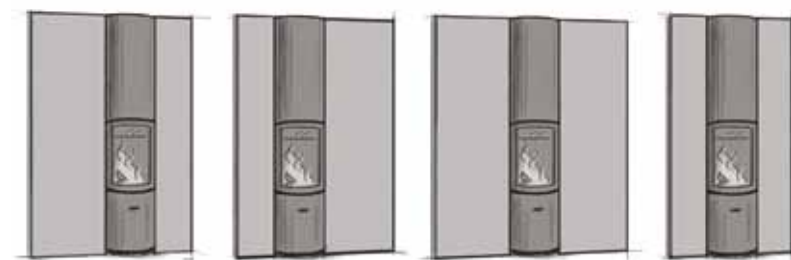
Stûv Stories +Stûv 30-in R

- + Three modes of operation
- + Height adjustable according to height of the ceiling
- + Ability to be connected to the outside air
- + Air-funnelling option
- + Fan option
- + Option: ground plate



Stûv Stories +Stûv 30-in façades

- + Three modes of operation
- + Four configurations
- + Broad palette of colours
- + Ability to be connected to the outside air
- + Air-funnelling option
- + Fan option
- + Option: ground plate



Configurations

The unique
character of rust

Stûv Stories +Stûv 30-in corner solution

- + Three modes of operation
- + Broad palette of colours
- + Ability to be connected to the outside air
- + Fan option
- + Option: ground plate



There is a Stûv 30 for every home. There is even a corner model!
Proof of the versatility of the Stûv 30 family.



Stûv Stories +Stûv 30-in Ready-to-Fit fireplaces

Quick and easy to install, the fireplace adapts to your tastes thanks to a choice of several colours and sizes. Moving house isn't a problem: your ready-to-fit Stûv 30-in will follow you to your new home!



Configurations

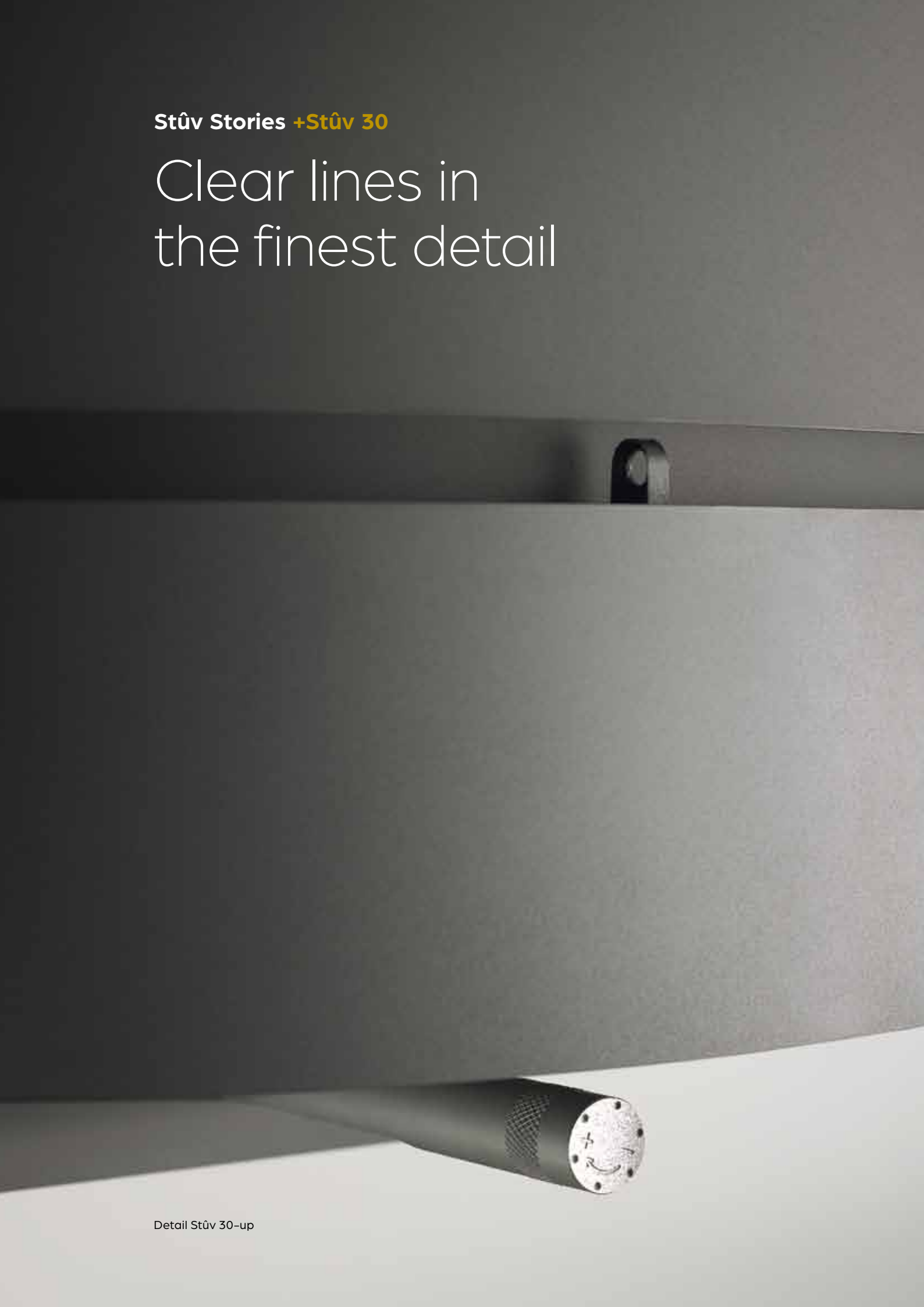


- + Three modes of operation
- + Four configurations
- + Broad palette of colours
- + Ability to be connected to the outside air
- + Fan option
- + Option: ground plate

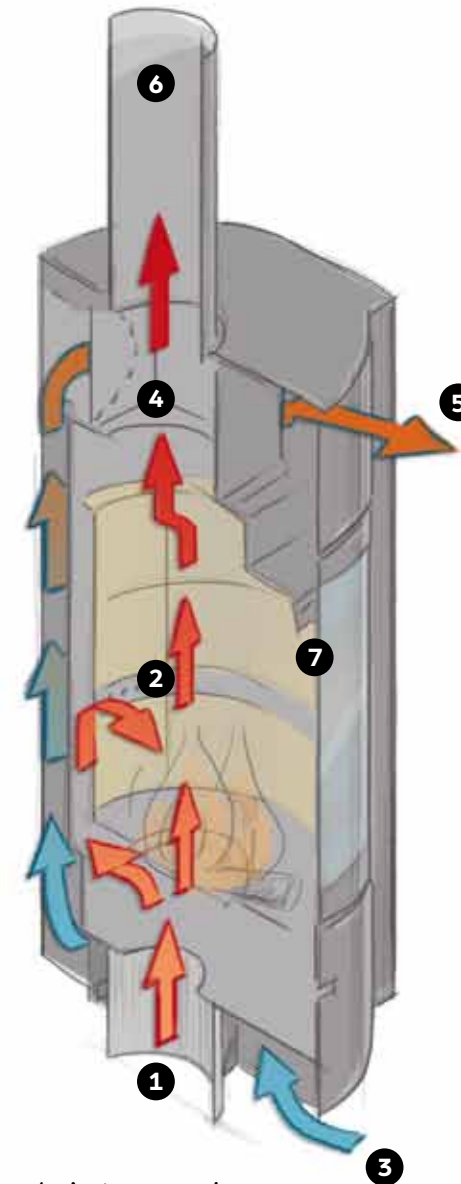


Stûv Stories +Stûv 30

Clear lines in the finest detail



Detail Stûv 30-up



*Combustion technique and
air circulation Stûv 30*

- 1** 1. Combustion air.
Illustration with direct air intake under the stove. The outside air intake can also be located at the rear of the stove.
- 2** 2. Combustion.
The air intake, the combustion chamber and smoke exhaust form an airtight system.
- 3** 3. The air is taken into the room then heated by the stove.
- 4** 4. The hot air is exchanged with the convection air which flows along the combustion chamber.
- 5** 5. Hot air is circulated in the room by natural convection.
- 6** 6. Smoke is evacuated through the chimney. Illustration with high outlet. Rear outlet possible.
- 7** 7. The window cleaning system involves an air supply that takes flue gasses away from the glass. This means that you can have flickering flames at all times.

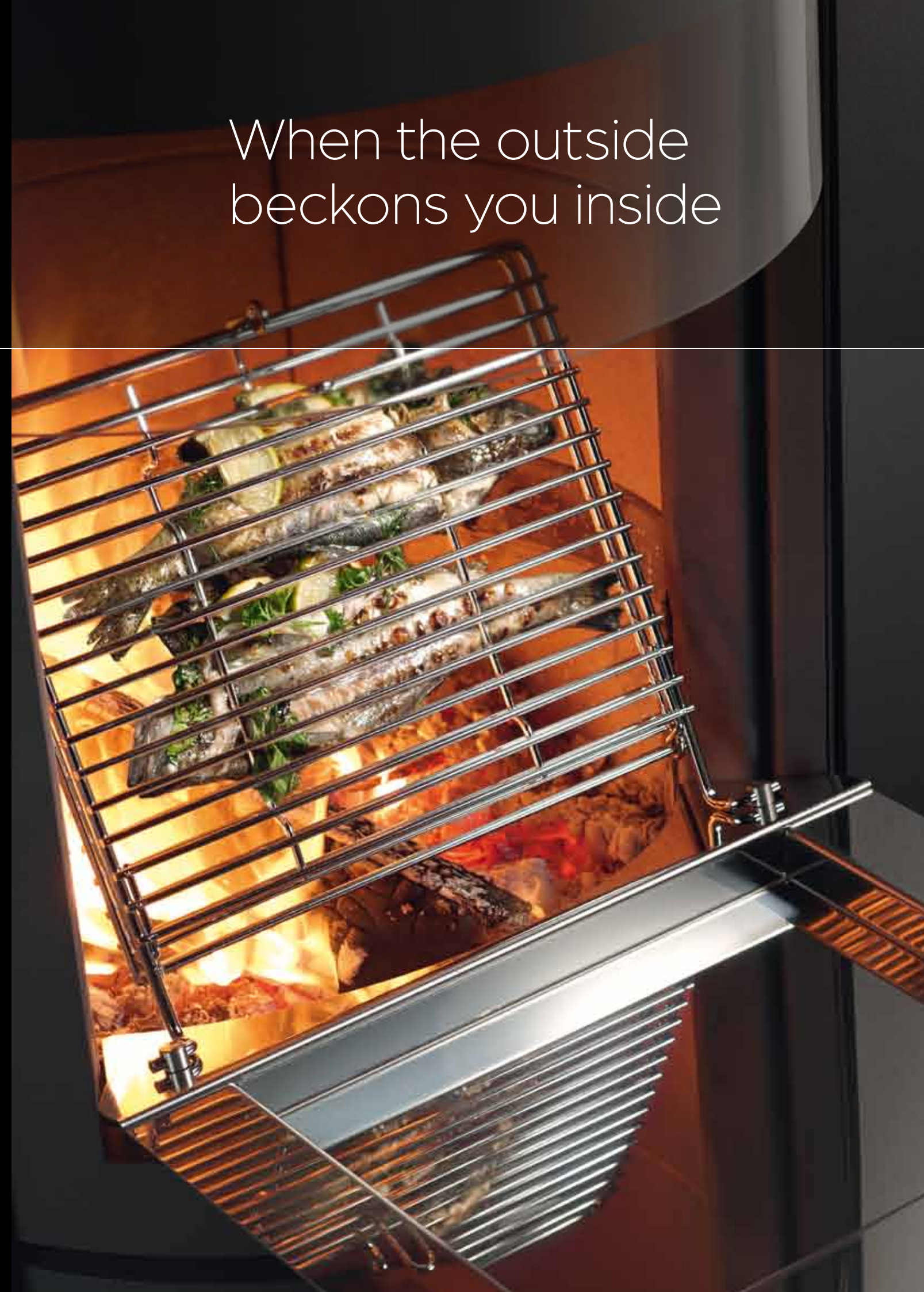
Stûv Stories +Stûv barbecue

You want to feel like it's summer all year long? Now it's possible! The Stûv barbecue makes cooking food healthier by placing it in front of flames rather than over coals. As a result, whether it's skewers, sausages or fish, the food cooks by radiant heating and does not risk being burnt to a cinder by the drops of fat which catch fire upon contact with the coals. Cooking is also a quick process: red meat, for example, is seared instantly. The installation of the grill on the stove is child's play and, to ensure that none of your culinary pleasure is diminished, the extractor draught removes all odours!

When the outside beckons you inside



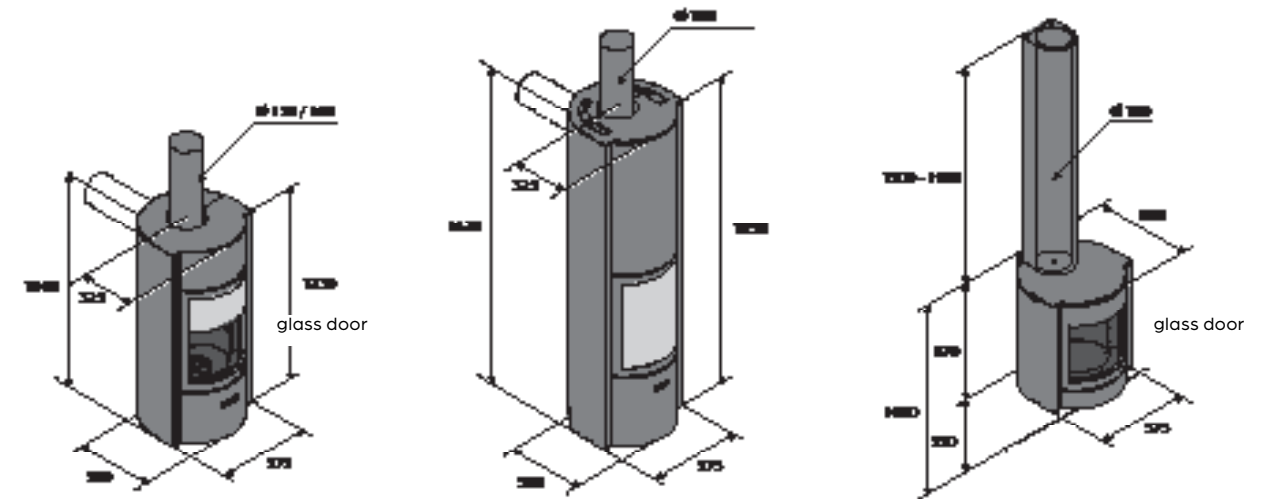
- + Mobilobox. Everything at your fingertips (matches, maintenance products, tinder, etc.)
- + A practical log trolley with a simple, refined shape: an indispensable accessory for all Stûv stoves.



Stûv 30 technical specifications

Technical specifications	30	30-H	30-up	30-in
weight kg	215	220 (+151)	151	200
nominal heat power kW	5 - 12	5 - 12	5 - 9	5 - 12
optimum output range kW	5 - 12	5 - 12	5 - 9	5 - 12
efficiency %	81	81	84	83
CO emissions %	0,05	0,05	0,07	0,05
particle emissions* mg/Nm ³	28	28	23	28
range of wood consumption** kg/h	1,4 - 3,4	1,4 - 3,4	1,3 - 2,4	1,4 - 3,4
length of logs V/H - cm	50 / 33	50 / 33	33 / 33	50 / 33
outside air intake ø mm	100	100	63	100
patent	1130323	1130323	1130323	1130323
Options	30	30-H	30-up	30-in
+ 3 modes of operation	s	s	s	s
+ turntable	o	o	-	-
+ barbecue kit	o	o	o	o
+ ground plates	o	o	-	o
+ smoke outlet upwards	o	o	s	s
+ smoke outlet to the rear	o	o	-	-
+ outside air connection	o	o	o	o
+ heat accumulator	-	o	-	-
+ electric ventilation	-	-	-	o
+ ashtray	s	s	s	s

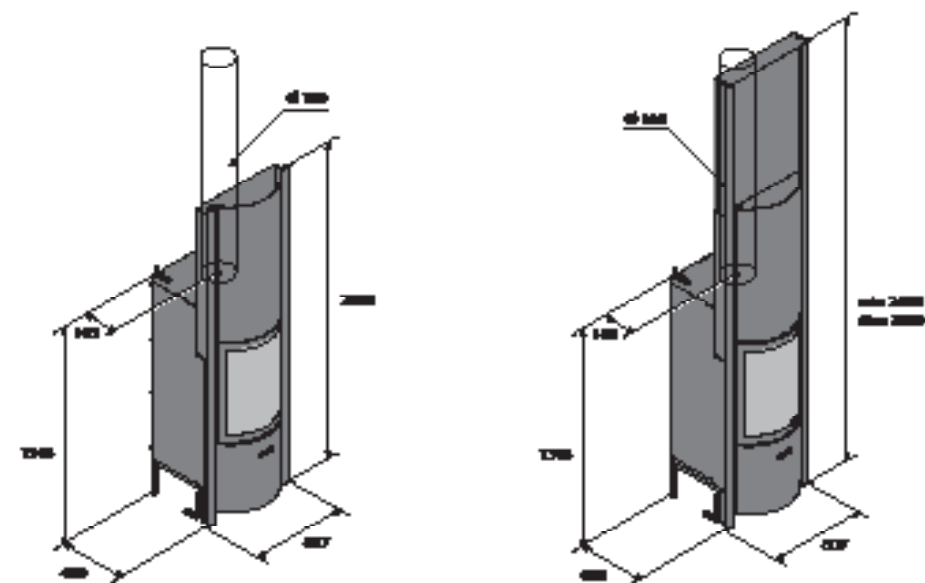
* measurement method based on DIN +
 ** at 12 % humidity
 V/H vertical position / horizontal positions
 o optional
 s standard
 - not available



Stûv 30

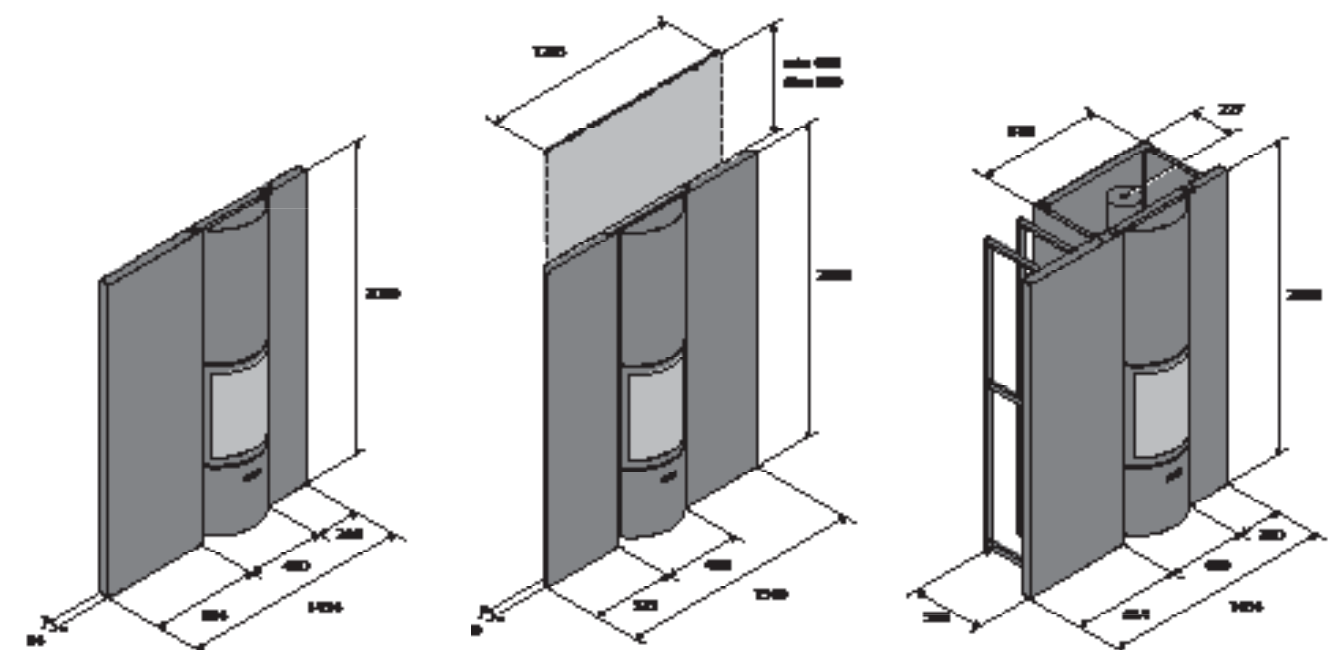
Stûv 30-H

Stûv 30-up



Stûv 30-in B

Stûv 30-in R



Stûv 30-in façades

Stûv 30-in corner solution

Stûv 30-in ready-to-fit

The constant search for improvement...

Stûv invests enormously in research and development in both its own laboratory and thanks to its partnerships with specialists in the field of combustion. Each detail is important in optimising the performance of the stove. Stûv devices meet the most stringent standards in terms of respect for the environment. We prioritise ergonomics and simplicity at all stages – installation, use, maintenance – so that every user can use their Stûv exactly how they want it. This is the reason we provide detailed installation instructions, we select our sales network and organise training sessions for our retail and installations partners.

The Stûv guarantee

- + Stûv fireplaces are renowned for their design and performance. They are also solid, reliable and durable.
- + The fireplaces and their components are made in Europe with the utmost care. A well-maintained Stûv fireplace is for life.
- + This is why Stûv offers the users of its products an extended guarantee. Three years' guarantee in addition to the legal guarantee.
- + In total, 5 years on the body of the fireplace, 3 years on the electrical components and 3 years on the other components.

What do you need to do to benefit from this extended guarantee?

Complete the guarantee form that you will find at the end of the user manual and return the hard copy to Stûv or – the easier option – complete the online form at stuv.com.



All Stûv fireplaces are designed to burn wood with a humidity level of less than 20 %.

All Stûv fireplaces were tested according to EN 13240 CE and EN 13229.

Complies with standards :

Stûv 30, Stûv 30-H, Stûv 30-in : Flamme Verte 7* (FR), BImSchV 1 & 2(DE), LRV (CH), DIN+ (EU), BE Phase 1, 2 & 3 (BE), Art. 15A B-VG (AT), VKF (CH)

Stûv 30-up : Flamme Verte 7* (FR), BImSchV 1 & 2 (DE), LRV (CH), DIN+ (EU), BE Phase 1 & 2 (BE), Art. 15A B-VG (DE), defra (UK), VKF (CH), The Nordic Swan

Colophon

design Brigitte Boits

photography François Chevalier

styling Edith Vervest

copy JP Nieuwerkerk

communication manager Serge Alhadeff

responsible editor Gérard Pitance

Documents and photos are for information purposes only. Stûv reserves the right to make changes without warning. Every care has been taken in the preparation of this brochure; however, we do not accept any responsibility for any mistakes that it may contain.



EN - 93102079 - 201409

Stûv 16

Pure simplicity

Stûv 21

A fireplace both open and closed

Stûv 30

+Subtle curves,
endless possibilities

Stûv 30-compact

Subtle curves, pure heat

Stûv microMega

micro volume inside,
Mega view of the flames

Stûv stoves are distributed by :

Stûv stoves are designed and
manufactured by: **Stûv nv**
rue Jules Borbouse 4
B - 5170 Bois - de - Villers
Belgium
t +32 (0)81 43 47 96
info@stuv.com
stuv.com

Join us on :



stûv