

How To Set Up and Use Your Wireless Rain Gauge System

- Follow Battery Installation and Clock/Calendar Set Up as directed above.
- Place the receiver unit as close as possible to the transmitter and sensor (they must be within 100 feet of each other). This will ensure easy synchronization between the transmission and reception of signals as you set up your wireless system.
- The receiver unit should display zeros after proper battery installation and registration signal initialization. If the receiver still shows dashes, reinstall the receiver's batteries. If the receiver shows a numerical rainfall value after installing the rain gauge, reset it by pressing the "+" button. See Battery Installation section for detailed instructions.
Note: The effective transmission range of the transmitter and sensor is 100 feet. The effective range is vastly affected by building materials, physical obstructions (trees, sheds, fountains, etc.) and where the receiver and transmitter units are positioned. Try various set ups for the best result. Shorten the distance between the receiver and transmitter units when necessary. Keep the transmitter at least 3 feet from any obstructions which may affect rain collection. For instance, do not place the transmitter under a tree, as water dripping from leaves into the rain cup will overstate actual rainfall.
- The receiver unit is factory set to display total rainfall in inches. To switch measurement to millimeters, press and hold the "-" button for 3 seconds. The display will switch to millimeters.
- The receiver unit is factory set to display temperature in Fahrenheit. To switch to Celsius, press and hold the "MAX/MIN" button for 3 seconds. The receiver display will switch to Celsius.
- The remote sensor is factory set to display temperature in Fahrenheit. To switch to Celsius, press the "F/C" button inside the sensor's battery compartment. The remote display will switch to Celsius.
- To cancel a temperature registration, press and hold the "CH" button for 3 seconds. The temperature reading on the receiver unit will change to dashes. The registration is canceled.

How to Read Rainfall Data

- Your Taylor® Wireless Rain Gauge will track the amount of daily, weekly, and monthly rainfall. It will also report total accumulated rainfall, which is the total rainfall recorded since the unit was last reset to zero. Press the "-" button to toggle between the different displays.
- A signal is sent from the transmitter to the receiver every 30 seconds when it is raining. If there is no rainfall, a signal will transmit every 2½ minutes. This signal will update the data on the receiver if any changes have occurred.
- As rainfall occurs, the Daily Rainfall Display will show the amount of rain accumulated throughout the day. When the clock reaches midnight, the display for daily rainfall will automatically reset to zero.
- For the first day of rainfall, the Daily, Weekly, Monthly, and Total rainfall accumulation will be the same. As additional rainfall occurs throughout the week/month, the unit will add the rainfall amounts together for a weekly/monthly/ total rainfall accumulation.
- The Weekly rainfall total accumulates from Sunday to Saturday. When the clock reaches 12:00am (midnight) every Sunday, the weekly total rainfall will automatically reset to zero.
- The Monthly rainfall total accumulates from the first day of the calendar month to the last day. When the clock reaches 12:00am (midnight) on the first day of the month, the monthly total rainfall will automatically reset to zero.
- Total Rainfall accumulates from the first day the rain gauge is put into use. The receiver will continue to record Total Rainfall until the user clears the memory or the batteries are replaced.
- To manually reset either the Daily, Weekly, Monthly, or Total Rainfall accumulations, first press the "-" button to select the memory to be cleared. Press the "+" key. The data will reset to zero.

How to Read Temperature Data

- The receiver unit shows two temperature readings to the right of the clock/calendar display. The bottom readout is the temperature at the receiver's location. The top readout is the temperature at a remote sensor's location. If more than one remote sensor is set, simply press the "CH" button on the back of the receiver to toggle to another channel. The "CH" (Channel) icon will indicate which channel is currently displayed.
- Press the "MAX/MIN" button once to display the highest recorded indoor/outdoor temperatures. Press "MAX/MIN" again to display the lowest recorded indoor/outdoor temperatures. Each reading will display for 5 seconds, and then the display will return to the current temperatures.
- To clear the Min/Max memory, press the "CLEAR" button while the maximum/minimum readings are displayed on the LCD.
- Press and hold the "MAX/MIN" button for 3 seconds to switch between °F and °C on the receiver display.

Important: Though the rain gauge is weather-resistant, it should never be submerged in water or left outside during snowy weather. Also please note the transmitter should not be left outdoors in temperatures at or below -4°F (-20°C). If the temperature drops to this level, move the transmitter to an indoor area. The receiver unit should be kept at temperatures between 32°F to 122°F. The Transmitters should be kept at temperatures between -4°F to 140°F.

Transmission Collision

Signals from other household devices, such as doorbells, home security systems and entry controls, may temporarily interfere with the rain gauge transmissions. This is normal and does not affect the general performance of this product. The transmission will resume once the interference recedes.

Trouble-Shooting

Disconnected Signals

If the receiver unit does not receive a transmission from the transmitter or the remote sensor for 1 hour, the display will show dashes.

To correct this problem:

- Check that the transmitter and remote sensor are properly positioned, within a 100' transmission range.
- Check to make sure the transmission path is clear of obstacles and interference.
- If new batteries are faulty on the initial installation, install fresh batteries, following the steps in the Battery Installation section of this manual.
- At temperatures below 32°F (0°C), the LCD readout on the remote sensor may fail to display. When this occurs, the sensor will still transmit correct temperature readings to the receiver unit, but the temperature can not be seen on the sensor. When the temperature rises above 32°F (0°C), the display will begin to function normally again.

Note: This equipment has been tested and found to comply with the limits for a Class B digital device, pursuant to Part 15 of the FCC Rules. These limits are designed to provide reasonable protection against harmful interference in a residential installation. This equipment generates, uses, and can radiate radio frequency energy and, if not installed and used in accordance with the instructions, may cause harmful interference to radio communications. However, there is no guarantee that interference will not occur in a particular installation. If this equipment does cause harmful interference to radio or television reception, which can be determined by turning the equipment off and on, the user is encouraged to try to correct the interference by one or more of the following measures:

- Reorient or relocate the rain gauge equipment.
- Increase the distance between the radio/television equipment and rain gauge equipment.

Modifications not authorized by the manufacturer may void user's authority to operate this device.

Precautions

This Digital Wireless transmitter is engineered to give you years of satisfactory service if you handle it carefully, following these guidelines:

- The receiver is intended for indoor use only. It is not sealed against moisture and could be damaged if used outdoors.
- Do not immerse the receiver in water. If you spill liquid on it, dry it immediately with a soft, lint-free cloth.
- The transmitter is weather-resistant but not waterproof. Do not immerse it in water or allow snow to accumulate in it. If this accidentally occurs, dry it immediately with a soft, lint-free cloth.
- Though the rain gauge is weather-resistant, it should not be left outdoors in snow or at temperatures at or below -4°F (-20°C). If the temperature falls below this point or if snow accumulates, move the transmitter to an indoor area. Otherwise, permanent damage to the transmitter's internal circuits may occur.
- Though the remote temperature sensor is weather-resistant, it should be placed away from direct sunlight, rain, or snow, and should never be submerged in water. If this accidentally occurs, dry it immediately with a soft, lint free cloth.
- Do not mount the remote sensor on a metal surface.
- Do not subject the remote sensor to extremely severe temperatures.
- Do not place into ovens, freezers, or microwaves.
- Do not clean any of the units with abrasive or corrosive materials. This may scratch plastic parts and corrode electronic circuits.
- Do not subject any unit to excessive force, shock, dust, temperature or humidity. This may result in malfunction, shorter electronic life span, damaged batteries or distorted parts.
- This equipment contains no user-serviceable parts. Do not tamper with any unit's internal components. Doing so will invalidate the warranty on this product and may cause damage.
- Do not mix old and new batteries. **Do not dispose of batteries in fire.** Batteries may explode or leak. Remove the batteries if the thermometer will not be used for a long period of time.
- Always refer to this instruction manual before operating this product.

Specifications

Range of temperature measurement:
Indoor: 32°F to 122°F (0°C to 50°C)
Outdoor: -4°F to 140°F (-20°C to 60°C)*

Using Sensor Probe Cable:
Outdoor: -58°F to 158°F (-50°C to 70°C)**

Range of rainfall measurement:
Daily: 0-39.33 inches (0-999 millimeters)
Weekly: 0-393.66 inches (0-9999 millimeters)
Monthly: 0-393.66 inches (0-9999 millimeters)
Resolution: 0.04 inches (1 millimeter)

Accuracy: + / - 3%

Transmission: 100 feet (30 meters) in an open area

Transmission Rate: Every 30 seconds during rainfall, otherwise sent every 2½ minutes. Transmissions from remote temperature sensor sent every 2½ minutes.

Clock: Quartz precisions +/- 30 seconds per month

Battery Life: 1 year (alkaline batteries recommended)

***Important: To extend outdoor temperature range to -40°F to 140°F (-40°C to 60°C) use 2 AA Lithium batteries.**

**** Using the sensor probe cable will allow you to keep the unit in a warmer place without using Lithium batteries.**

A maximum of 3 remote sensor units can be registered. One remote sensor is included. To purchase additional Remote Sensors (Taylor model 1457), please check availability with your local Taylor® retailer, or call 1-877-858-0065 Monday-Friday 9am to 6pm CST or visit www.partshelf.com.

One Year Warranty

This product is warranted against defects in materials or workmanship for one (1) year from the date of original purchase. It does not cover damages or wear resulting from accident, misuse, abuse, commercial use, or unauthorized adjustment and/or repair.

Should this product require service (or replacement at our option) while under warranty, do not return to retailer. Please pack the item carefully and return it prepaid, along with a store receipt showing date of purchase and a note explaining reason for return to:

Taylor Precision Products
2220 Entrada Del Sol
Las Cruces, New Mexico 88001
www.taylorusa.com

There are no express warranties except as listed above. This warranty gives you specific legal rights, and you may have other rights which vary from state to state.

Made to our exact specifications in China.

©2006 Taylor Precision Products and its affiliated companies, all rights reserved. Taylor® and Leading the Way in Accuracy® are registered trademarks of Taylor Precision Products and its affiliated companies. All rights reserved.

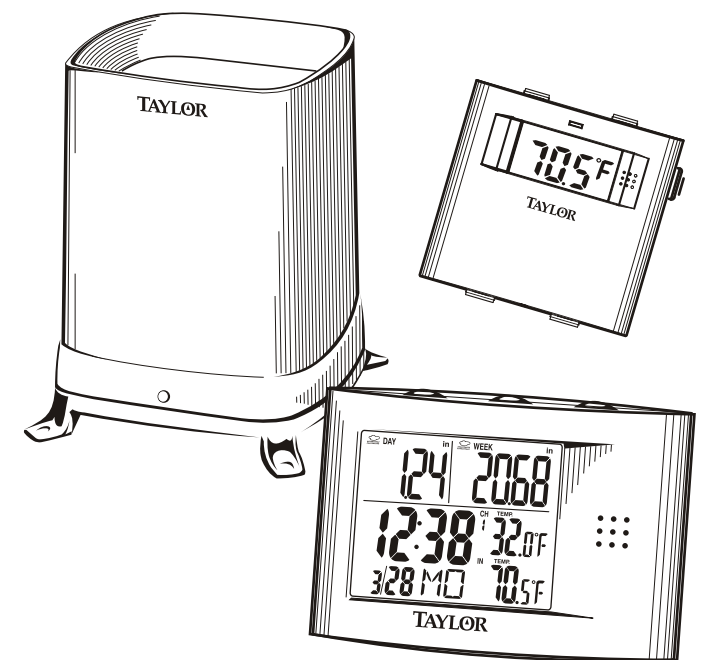
CP2751 - 09.06R1

TAYLOR 2751

Digital Wireless Rain Gauge & Thermometer

Indoor/Outdoor Thermometer & Clock with Remote Rain Gauge

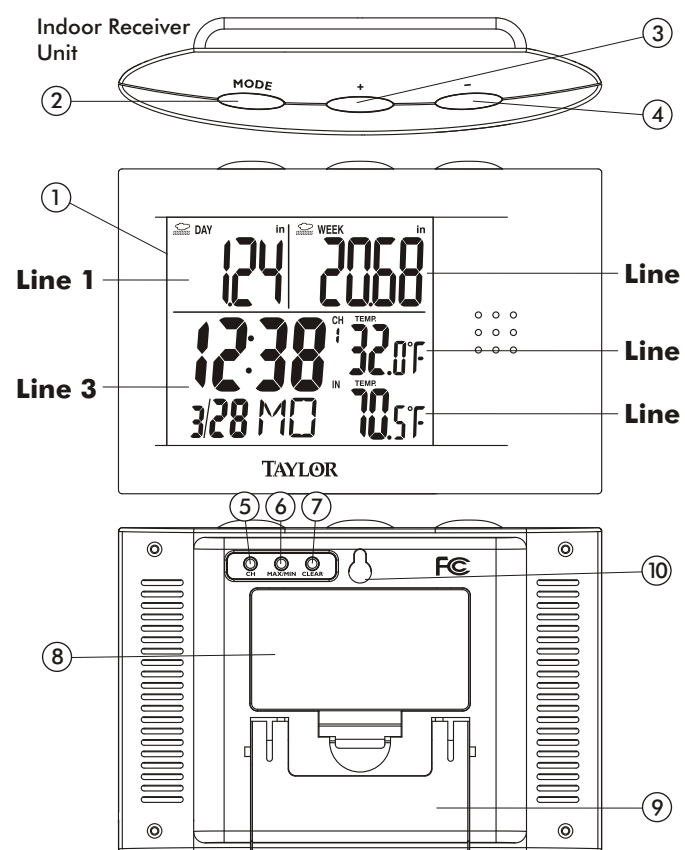
Leading the Way in Accuracy®



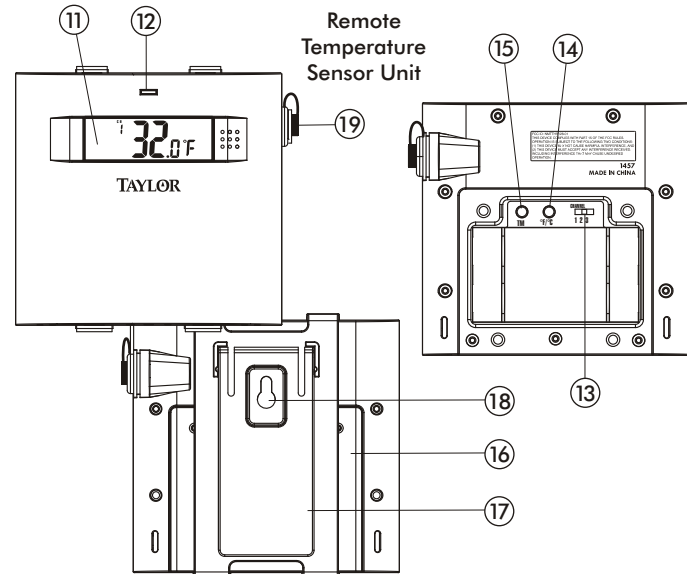
Instruction Manual

Thank you for purchasing the Taylor® Digital Wireless Rain Gauge and Thermometer. This state-of-the-art measurement instrument is engineered and designed to meet the highest quality standards...to assure you uncompromising accuracy and consistently dependable, convenient performance. In order to optimize its function, please read this instruction manual carefully before use...and keep it handy for future reference.

Description of Parts



Description of Parts (Continued)



Main Features & How to Access Functions

Indoor Receiver Unit

- LCD Readout**
Line 1 Daily Rainfall Display. Reports today's total rainfall.
Line 2 Weekly/Monthly/Total Accumulated Rainfall Display. Shows either the weekly, monthly, or total accumulated rainfall. The "WEEK" icon appears above the rainfall digits when the receiver is in week mode. The "MONTH" icon appears during monthly mode. If no icon is visible, the total accumulated rainfall is displayed. Press "-" to toggle between the different displays.
- Clock and Calendar display.** Shows the current time, date, and day of the week.
- Remote Temperature Display.** Shows the temperature at the remote sensor location. Up to 3 remote sensors may be used (one is included, other Model 1457 sensors may be purchased separately). Press the "CH" button to toggle between sensor readings.

Main Features & How to Access Functions (continued)

- Indoor Temperature Display.** Shows the temperature where the indoor receiver is located.
- MODE Button**
Enter Time Setting mode.
Advances clock/calendar settings during Time Setting mode. Resets Daily, Weekly, Monthly, or Total accumulated rainfall data. Cancels the registration between the receiver and transmitter and registers a new signal between the units.
- + Button**
Reverses clock/calendar settings during Time Setting mode. Toggles between Weekly, Monthly, and Total accumulated rainfall. Switches between inch and millimeter units of measurement.
- CH Button**
Cancels the registration between the receiver and a remote sensor and registers a new signal between the units. Toggles between temperature displays when multiple remote sensors are in use.
- Button**
Reverses clock/calendar settings during Time Setting mode. Toggles between Weekly, Monthly, and Total accumulated rainfall. Switches between °F and °C scale on the receiver unit.
- "MAX/MIN" Button**
Displays the daily maximum/minimum recorded temperatures. Switches between °F and °C scale on the receiver unit.
- "CLEAR" Button**
Resets the daily maximum/minimum recorded temperatures.
- Battery Compartment**
The receiver unit requires 2 AA alkaline batteries (not included). See Battery Installation section of this manual.
- Table Stand**
Pull the bottom of stand out from the housing for stable placement of the unit on a flat surface.
- Wall Mount**
The back of the receiver has a recessed key hole to secure the unit to a wall.

Remote Temperature Sensor Unit

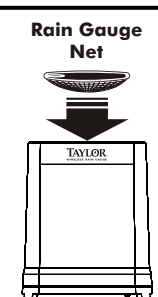
- LCD Readout**
Shows the temperature at the sensor's location.
- LED Indicator**
Flashes when the remote sensor transmits a reading.
- Channel Switch**
Slide to designate the remote sensor channel 1, 2, or 3.
- "F/C" Button**
Press to select °F or °C temperature scale.

Main Features & How to Access Functions (continued)

- "TM" Button**
Press to send a registration signal to the receiver unit.
- Battery Compartment**
The sensor unit requires 2 AA alkaline batteries (not included). See Battery Installation section of this manual.
- Table Stand**
Pull the bottom of stand out from the housing for stable placement of the unit on a flat surface.
- Wall Mount**
Detachable holder with a key hole slot to secure the sensor to a wall.
- Cable Jack**
Plug the sensor probe of the 11-foot cable (included) into the jack to measure the temperature of liquids (in an aquarium, swimming pool, hot tub, etc.). The cable may also be used to extend the outdoor temperature range to -58°F to 158°F (-50°C to 70°C). Keep the sensor unit inside and extend the cable outdoors for temperature readings, thus protecting the unit and its batteries from extreme temperatures.

Rainfall Transmitter Unit

- Battery Compartment**
The transmitter requires 2 AA alkaline batteries (not included). See Battery Installation section of this manual.
- Rain Gauge Net**
A protective stainless steel net is placed on top of the rain gauge to guard against rocks, leaves, and other debris collecting in the rain gauge. The net may be removed for cleaning by pulling up on the ring at the side of the net.



Important: The rain gauge should not be left outdoors in temperatures at or below -4°F (-20°C) or in snowy weather. If the temperature drops to this level or it begins to snow, remove the rain gauge to an indoor area.

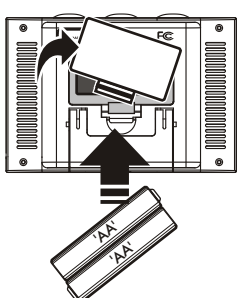
Battery Installation

For the initial installation, insert the batteries into the receiver unit first, then the transmitter, and finally the remote sensor. Place all three units next to each other during battery installation for best signal initialization.

Battery Installation (continued)

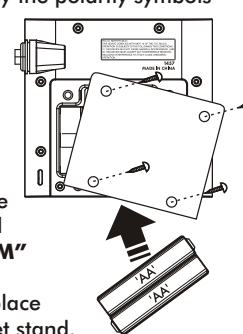
Receiver:

- Lift off the battery compartment cover located on the back of the unit.
- Insert 2 AA alkaline batteries as indicated by the polarity symbols marked inside the battery compartment.
- After installing the batteries, the display will show flashing dashes. Once the transmitter's batteries are installed and the unit successfully transmits a signal and is registered, the receiver will show zeros for rainfall and the current outdoor temperature.
- Replace the battery compartment cover.



Remote Temperature Sensor:

- Lift off the bracket stand, located on the back of the unit, to access the battery compartment cover.
- Remove the 4 screws that secure the battery compartment cover and then remove the cover.
- Select the channel setting by sliding the "Channel" switch to Channel 1 to register the first sensor, included in this package. Note: A maximum of 3 remote sensor units can be registered. Should you purchase one or two additional remote units (Model 1457, sold separately) to expand your temperature monitoring capabilities to multiple locations, slide the "Channel" switch to Channel 2 to register the second sensor and select Channel 3 to register the third sensor.
- Insert 2 AA alkaline batteries as indicated by the polarity symbols marked inside the battery compartment.
- Press the "F/C" button to select the desired temperature scale.
- Press the "TM" button to send a transmission signal to the receiver. The red LED indicator light will flash when a signal is transmitted. Remote unit temperature updates will then be transmitted at 2 minute 30 second intervals. Note: If dashes are still displayed on the receiver unit, press the "TM" button to send another transmission.
- Replace the battery compartment cover, replace and tighten screws, and reattach the bracket stand.



Battery Installation (continued)

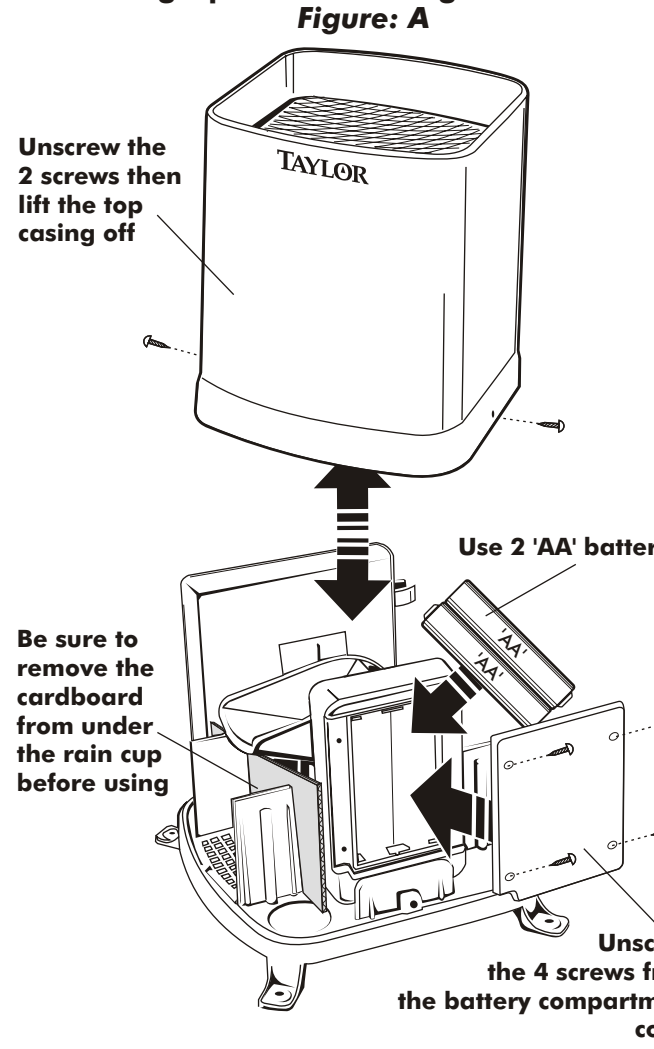
Rain Gauge Transmitter:

- Unscrew the 2 screws at each side of the transmitter. Carefully lift the top casing from the base. (See figure A.)
- Unscrew the 4 screws from the Battery Compartment Cover (identifiable by the battery diagram markings). Remove the cover and insert 2 AA alkaline batteries as indicated by the polarity symbols marked inside the battery compartment.
- The transmitter will begin to transmit signals to the receiver. Position the receiver and transmitter close to each other to ensure best transmission results.
- The receiver will show zeros instead of dashes when a signal is successfully received. If the receiver continues to show flashing dashes, remove the receiver's batteries and repeat instructions above.
- There is a piece of cardboard under the rain cup to prevent tipping and damage during shipping. Before first use, please remove the cardboard to allow the rain cup to fill and empty when rainfall occurs.
- Replace the Battery Compartment Cover and the screws.
- Carefully replace the casing on top of the base. Replace the screws. Press the "+" button to ensure the Weekly rainfall total is reset to zero. Press the "-" button to change to the Monthly rainfall and press "+" to reset it to zero. Repeat to reset the Total rainfall display to zero. Press "-" again to return to the weekly display.

Low Battery Indicator and Battery Replacement

- Your Taylor® Digital Wireless Rain Gauge is equipped with Low Battery Warning Icons. When readings grow dim or irregular, or one of the low battery icons appear, the batteries may need to be replaced. All of the low battery icons will appear on the receiver unit. The icon for the receiver appears next to the indoor temperature display. The icon for the remote sensor is next to the outdoor temperature display. The icon for the rain gauge is next to the daily rainfall display.
- Follow the steps above for Battery Installation when necessary.
- Note: Replacing the receiver's batteries will clear the memory, and all rainfall totals and max/min temperature records will reset to zero. Also, the signal registrations will be lost when batteries are replaced in either the remote sensor or rain gauge transmitter. Follow the instructions under "Battery Installation" to reregister the signals.

Setting Up The Rain Gauge Transmitter



Low Battery Indicator and Battery Replacement (cont.)

- After replacing batteries in the transmitter, press and hold the "+" button on the receiver for 3 seconds to cancel the previous signal registration and register a new signal between the units. The rainfall displays on the LCD will blink "----". The units are re-registered properly when zeros appear on the LCD. If this does not occur, press and hold the "+" button again to trigger a new registration signal. Repositioning the units may improve signal transmission. If the LCD still does not show zeros, remove and reinstall the transmitter batteries and repeat the steps above.
- After replacing batteries in the remote sensor, cancel the signal registration of the corresponding channel of the receiver unit by 1) pushing the channel button to select the respective channel; 2) holding the "CH" button for 3 seconds to clear the registration. Re-register the remote sensors by pressing "TM" key on the remote sensors. The updated temperature will appear on the receiver.
- If the receiver's batteries are replaced, the batteries of both the remote sensor and transmitter must be reinstalled as well. Follow transmission signal registration instructions in steps 4 and 5.

Important: When the temperature falls below freezing, the batteries of the remote sensor and rainfall transmitter units may freeze, lowering their voltage supply and effective range. Use Lithium batteries to insure operation below 10°F (-12°C).

How to Set and Use Clock & Calendar Functions

- Hold the **MODE** button for 3 seconds to enter Time Setting mode.
- Press "+" or "-" buttons to select 12 or 24 hour clock mode. Press **MODE** to enter.
- Press "+" or "-" buttons to set the year. Hold down the buttons to advance digits quickly. Press **MODE** to enter.
- Continue to set the month, day/date, hour, and minutes by pressing "+" or "-" and then pressing **MODE** to enter the data. Hold down the buttons to advance digits quickly.
- After selecting the minutes and pressing **MODE**, the clock setup will be complete.
- If no buttons are pressed within 5 seconds, the clock will revert to its original setting.