

# User-Manual

Before using the product, please read this instruction carefully.

The manual is to guide your usage of this product specially.

Note :

Please strict to relevant regulation and laws. Do not use this product illegally.

Before video recording, please insert TF card frist as silkscreen indication to avoid the damage.

It' s suggested to manage the files in TF card once a week. This product is not exclusive storage facility and please duplicate important files to avoid files missing.

Please check the installation of car mount to avoid damage caused by incorrect installation.

The working time will decrease with time pass by. If not use this product long time, please make it full charge before using.

The product is not waterproof and please do not use it in humid working environment.

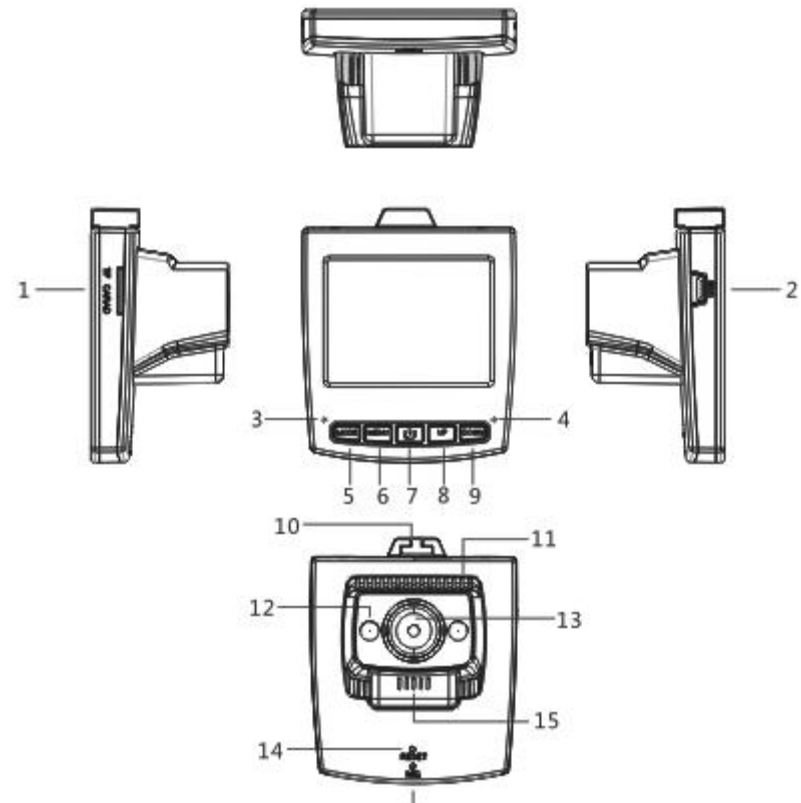
Do not take video and pictures directly towards the sun to avoid the damage of the camera.

DO not use the product in the working environment with heavy dust density to avoid the camera and other parts are polluted with dust.

Use soft and dry cloth to get rid of dust.

The product is precise electronics. Please make sure the DVR not be heated heavily. Do not use in strong magnetic field and electric filed.

## Product structure



- 1. TF card slot      2.USB interface      3.Charging indicator light
- 4. Status Indicator   5. MODE      6. MENU      7. OFF/ON      8. UP
- 9. DOWN   10. Stent hole      11. Vents      12.Fill light      13.Camera
- 14. RESET   15. Built-in speaker      16. MIC

## Features:

Supports multiple video formats, such as 1080P, 720P 480P, MOV file formats, image effect is superior,

built-in microphone/speaker

recording close/open choice

screen saver option

support high capacity TF card

Loop video, seamless coverage video

Automatically taking video when start the car, it will turn off automatically delay 5 seconds after car is shutdown

Motion detecting function

G\_SENSOR file forced preserving evidence, it will never disappear

Built-in wide dynamic high-definition camera, good effect of day and night

## Functional operation

### 1. Startup and shutdown :

A ) The boot has two kinds of methods: in the off state, press ON / OFF key for 2s, DVR automatically enter the video mode and start recording, lights; the machine in the shutdown state connected car charger, DVR automatically enter the video mode and start recording, unplug the charger after DVR automatically shut down **after 5 seconds after filling** and save the video file.

Note: the machine is not inserted SD card, the boot after the LCD screen display "memory card error". **if the machine does not power off directly insert TF card, the machine automatic shutdown.**

**B ) Shutdown:** DVR in power-on state according to the ON/OFF key, the machine shutdown.

Note: when battery power is insufficient, display the electricity shortage in the DVR, automatic shutdown and save the video file.

## 2. Battery charging

Two kinds of charging methods:

1 ) USB charging.

2 ) Using a car charging source charge.

**Shutdown when charging, During charging, the red indicator turns on and remains on until charging completes**

## 3 . Install a memory card

Insert the memory card into the slot as silk-screen indication, until you hear the sound of the "card".

## 4 . video

Press the on/off key to boot directly into the video State, blue light flashes, press the On/Off key to stop recording and save the file, DVR goes into standby mode. **Blue light is long; Standby mode, press " On/Off " key to start recording, press again to stop recording.**

**Standby when the video press the Mode key can open or close the sound, only picture**

## 5 . photo

In standby mode press the REC button to enter the camera mode, press the On/Off button to take pictures, and hear the horn beep;

## 6 . playback and Delete

In standby mode, press the MODE key the machine enters the playback mode, press the up or down key to select the Preview file, press On/off key to play or stop; If you want to delete the file, press the MENU key to access the Delete menu, press the up or down key to select "delete current" or "delete all" and press the REC key to enter to confirm and return to the Delete menu. Press the MENU key to exit the Delete menu, returns to playback mode.

## 7. G\_SENSOR Function

In Video, when the car brakes suddenly or by external impact, the accelerometer force due to acceleration mutation to save the current file, in order to prevent important information to be deleted, the sensitivity can be set in the main system under the menu choices: high, medium and low, in order to suit different speed requirements of ordinary users.

## 8. SOS Function

The video, click the MENU button, will be forced to save the file between the two actions, in order to prevent important information to be deleted

## 9. Digital zoom

In video or photo, Press the UP key can amplify images, maximum 4 times digital into; press the DOWN key to enlarge image reduction, the minimum is 1:1 times

## 10 . Options and system settings

In standby mode, press MENU to enter the setup menu interface, press the UP button or down button to select the setting item, the On/Off button to confirm enter the set of function parameters interface, and then press UP key or DOWN key to select the specific parameters, and finally press **ON/OFF** to confirm after setting, then press MENU key can exit. Specific menu subdirectories, see the following:

	MODE	Menu	To select the setting	Remarks
image setting	video	Resolution	1080FHD 1920x1080 720P 1280x720 WVGA 848x480 VGA 640x480	The default: 1080FHD
		Loop recording	off/3minute /5minute/10minutes	The default:3minute
		HDR	Off/on	The default: On
		Exposure	+2.0、+5/3、+4/3、 +1.0、+2/3、+1/3、 +0.0, -1/3,-2/3,-1.0,-4/3,- 5/3,-2.0	The default:+0.0
		Motion Detection	Off/on	The default: Off

photo	Record Audio	Off/on	The default: On
	Date stamp	Off/on	The default: On
	Gravity sensing	Off/low sensitivity /medium sensitivity /high sensitivity	The default: medium sensitivity
	Capture Mode	Single/2s timer/5s timer/10s timer	The default: Single
	Resolution	12M/10M/8M/5M/3M/ 2M/1.3M/VGA	The default:5M
	Sequence	Off/on	The default: Off
	Quality	Fine/Normal/Economy	The default: Normal
	Sharpness	Strong/Normal/soft	The default: Normal
	White balance	Auto/daylight/cloudy /tungsten /Fluorescent	The default: Auto
	color	Color/BLACK & white/Sepia	The default: Color
	ISO	AUTO/100/200/400	The default: Auto
	Exposure	+2.0 , +5/3 , +4/3 , +1.0 , +2/3 , +1/3. +0.0 , -1/3 , -2/3 , -1.0 , -4/3 , -5/3 ,	The default:+0.0

			-2.0 ,	
		Anti-shaking	Off/on	The default: Off
		Quick Review	OFF/2Seconds/5Seconds	The default: Off
		Date Stamp	Off, date, date/time	The default: Date/time
	Playback	DELETE	Delete current/ delete all	
		Protect	Lock Current/Unlock Current/Lock A ll/Unlock All	
		Slide show	2 seconds/5 seconds/8 seconds	
setup	Date/time	MM/DD/YY, DD/MM/YY, YY/MM/DD		
	Auto Power off	Off/3 minute/5 minutes/10 minutes		The default: 3 minute
	Beep sound	Off/on		The default: Off
	Language	English/Fran çais/Espa ñol/Portugu ês/Deuts ch/Italiano/ChineseSimplified/ Traditional Chinese /Русский/Japanese		
	Frequency	50Hz/60Hz		The default:50Hz



	format	TF card	
	Screen Saver	Off/1 minute/2 minutes/5 minutes	The default:1min
	Delayed shutdown	Off/5 Seconds /10 Seconds /30 Seconds	
	Default setting	Return menu setting to defaults/cancel/OK	
	version	The current version number	

## 11 . Connected to the computer

Download of video and photo data

1. When the USB cable is connected to your computer, the red power light of the camera lights up, the screen displays "Mass Storage" and "PC camera" options.
2. Select memory, the camera screen goes black, the computer will automatically recognize the "removable disk".
3. You can use your computer to browse and manage files.
4. Select the camera, the camera can be used as instant messaging software video tools.
5. Press ON/OFF key to turn off and charging, the red light is bright while connected.

Note: When using this product improper operation caused the crash phenomenon, the available small hard object, tap the RESET reset hole button and then boot the machine return to normal.

## 12. Product Specifications

Screen size	2.0inch TFT
PIXELS	3.0MP
LENS	120degree wide angle lens
Min LUX	1LUX
Video resolution	1920x1080/1280x720/848 x480 /640x480
Video format	<b>MOV@H.264</b>
frames	1920x1080/1280x720/848 x480/640x480
Image resolution	12M/10M/8M/5M/3M/2M /1.3M /VGA
Image format	JPG
Motion detection	support
Cycle recording	off/3mins /5mins/10mins
<b>G_SENSOR</b>	support
Screensaver	Menu adjustment
Record Audio	On/Off
Digital Zoom	4x
Memory card	TF card

capacity	MAX 32G
USB port	USB2.0
Power port	<b>DC12V/500MA</b>
Optical frequency	50HZ/60HZ
battery	260mAH
power dissipation	300MAH
Microphone/speaker	<b>The built-in</b>
language	English/Fran çais/Espa ñol/Portugu ês/Deutsch/Italiano/Chinese Simplified/Traditional Chinese/Русский/Japanese