

ActivBoard 100 Mount System (178E)

INTERACTIVE DISPLAY

Product Specifications



PRM-32 Projector



ActivBoard 100 Mount System

THIS DOCUMENT CONTAINS SPECIFICATIONS FOR

ActivBoard
Projector Mount
Projector

DESCRIPTION

The ActivBoard 100 System combines a 78" ActivBoard with a Wall Mount and PRM-32 Short Throw Projector. This ActivBoard System is backed by the Promethean Projector Promise, for additional information please visit: www.PrometheanWorld.com/ProjectorPromise



SYSTEM OVERVIEW

Installation

ActivBoard Mount System is suitable for self-installation. Promethean recommends that all Mount Systems should be installed by a Certified Promethean Installer. Please visit www.PrometheanWorld.com/ActivCare/installationtc. The Projector Mount and the ActivBoard mount directly to the wall. Refer to the User Manual for guidelines on fixing points. Components supplied and minimum specifications stated have been tested and are required for optimal performance. Use of components not supplied by Promethean or not meeting minimum specifications may impact performance and affect warranty. Contact your Promethean partner or visit www.PrometheanKB.com for more information. Operation of the ActivBoard 100 requires installation of the driver included with the ActivInspire software and one open USB computer port. Specifications and access to ActivInspire software is available at www.PrometheanPlanet.com/ActivInspire. User with administrator/privileged access rights required to install driver and software

Warranty

For Promethean Warranty Information please visit: www.PrometheanWorld.com/ActivCare

Support

Online Support for all Promethean Products available from: www.PrometheanKB.com

Complete System Weight (approx.)

ActivBoard 178 including;
PRM-32 Projector 39.6kg (87.2lb)

ActivBoard 178 Mount w/ PRM 32 SS 05/12 V1.0

©2012 Promethean Limited. All rights reserved. Promethean Ltd. is owner of a number of trademarks in several jurisdictions across the world. Any third-party product and company names are mentioned for identification purposes only and may be trademarks of their respective owners. ¹Applicable Terms and Conditions for warranty and support available at www.PrometheanWorld.com/ActivCare. All dimensions +/- 5mm (0.2in). All weights +/- 0.9kg (2lb). Product Specifications are subject to change without notice. www.PrometheanWorld.com



UPGRADE AND ACCESSORY OPTIONS

Wireless Upgrade Pack 100	Allows the ActivBoard 100 to connect to the computer wirelessly; includes an ActivHub (2.4 GHz), PSU (Power Supply Unit) and Quick Start Guide
Cable Wall Box	Connectivity box with inputs for 2 x fully wired VGA (to support VESA DDC) plus 3.5mm stereo jack audio inputs, USB-B input (for ActivBoard), S-Video, composite video plus auxiliary audio jack inputs, Cat 5e Ethernet input. Allows additional flexibility during installation, where the computer is located further away from the System
ActivArena 50 Upgrade Pack	Allows 2 users to work on the ActivBoard simultaneously; includes 2 Instructor and 2 Participant ActivPens, ActivArena Resources CD, ActivArena paper license, and ActivArena Quick Start Guide (requires ActivInspire Professional Edition)
ActivWand 50	Wireless, battery-free and extended reach input device for the ActivBoard – 540mm (21.2in) in length; “left click”, cursor and hover, just like a mouse
ActivInspire Professional Edition	ActivInspire Professional Edition, providing additional features and functionality

ActivBoard 178 Mount w/ PRM 32 55 05/12 V1.0

ActivBoard 100 Mount System (178E)

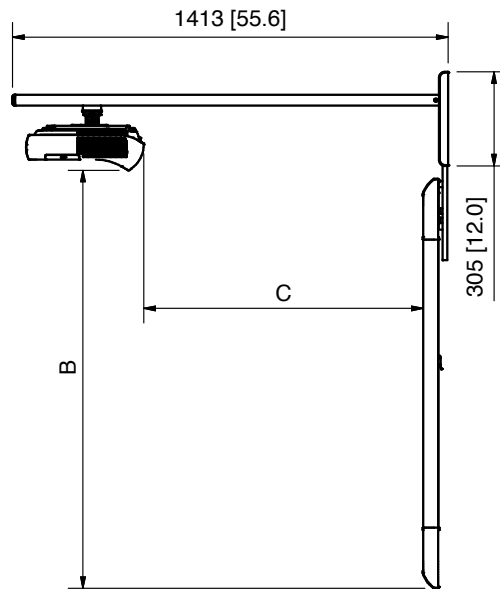
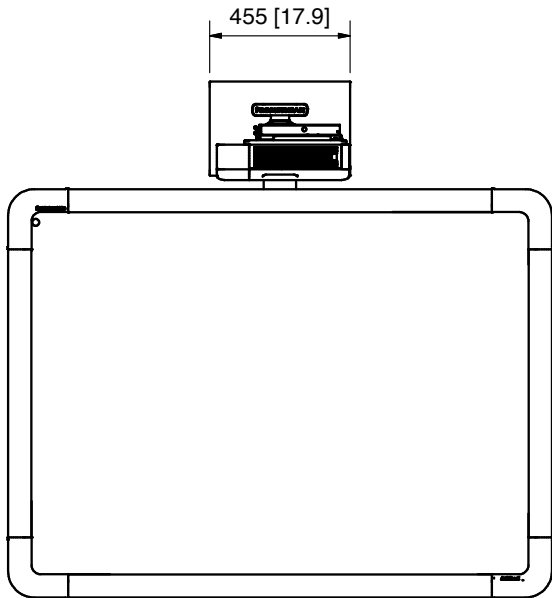
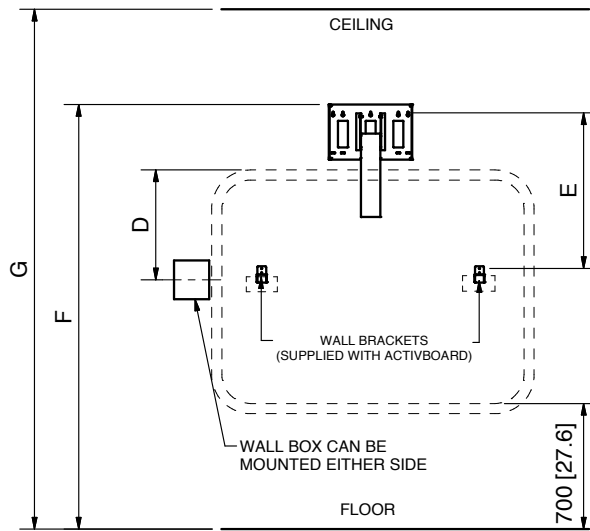
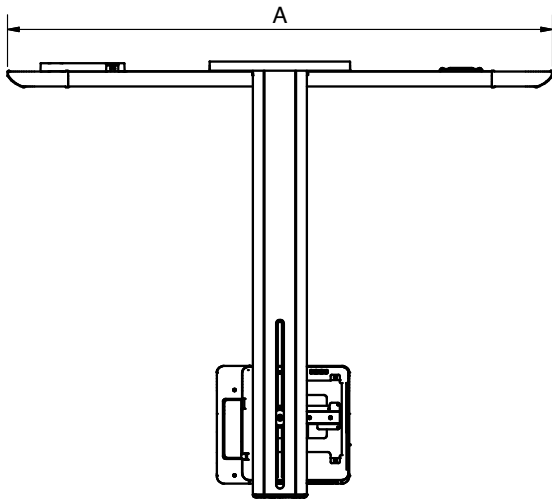
INTERACTIVE DISPLAY

Product Specifications

TECHNICAL DRAWING SPECIFICATIONS

ActivBoard 100 Mount System with PRM-32 projector

	PRM32 - 178
ACTIVBOARD 'A'	1768 [69.6]
PROJECTOR 'B'	1362 [53.6]
THROW DISTANCE 'C' ±10 [0.4]	985 [38.8]
WALL BOX 'D' ±150 [6]	660 [26.0]
FIXING HEIGHT 'E'	810 [31.9]
TOTAL HEIGHT 'F'	2260 [89.0]
MIN ROOM HEIGHT 'G'	2270 [89.4]



ActivBoard 178 Mount w/ PRM 32 55 05/12 V1.0

©2012 Promethean Limited. All rights reserved. Promethean Ltd. is owner of a number of trademarks in several jurisdictions across the world. Any third-party product and company names are mentioned for identification purposes only and may be trademarks of their respective owners. ¹Applicable Terms and Conditions for warranty and support available at www.PrometheanWorld.com/ActivCare. All dimensions +/- 5mm (0.2in). All weights +/- 0.9kg (2lb). Product Specifications are subject to change without notice. www.PrometheanWorld.com

ACTIVBOARD GENERAL SPECIFICATIONS

Internal Resolution	2730 points (lines) per inch
Output Resolution	200 points (lines) per inch
Tracking Rate	200 inches per second providing a fast response to pen commands
Output Rate	120 coordinate pairs per second
User Input	Cordless battery-free pen incorporating tip switch and side switch for full mouse functionality (ActivPen)
Digitizing Technology	Passive Electromagnetic
Power Requirement	USB powered
Connection to Computer	USB 2.0, 1 x 5m USB data cable supplied
Screen Surface	Low Glare Melamine
Screen Format	4:3
Certifications	UL, CE, FCC
Operating Temperature	0°C to +50°C (14°F to +122°F)
Storage Temperature	-20°C to +70°C (-4°F to +158°F)
Storage Humidity	0% to 90% (non condensing)
Packed Contents List	ActivBoard, 2 ActivPens (Instructor), 5m (16ft) USB cable, Wall Mounting Brackets, Installation Guide, Access to ActivInspire Personal Edition via download from Promethean Planet (Also available on DVD on request)

ACTIVBOARD SPECIFICATIONS BY MODEL

Model	ActivBoard 178
Activboard Size	78in
Surface Area Resolution	12800 x 9200
Active Area Dimension	1614mm x 1175mm (64in x 46in)
Active Area Diagonal	1988mm (78.3in)
Actual Image Diagonal (4:3)	1959mm (77.1in)
Overall Dimension	1768mm x 1329mm (69.6in x 52.3in)
Board Weight	25kg (55.1lb)
Packed Weight	39kg (92.6lb)
Packed Dimensions	1920mm x 1500mm x 110mm (75.6in x 58.9in x 4.3in)

ActivBoard 178 Mount w/ PRM 32 55 05/12 V1.0

©2012 Promethean Limited. All rights reserved. Promethean Ltd. is owner of a number of trademarks in several jurisdictions across the world. Any third-party product and company names are mentioned for identification purposes only and may be trademarks of their respective owners. ¹Applicable Terms and Conditions for warranty and support available at www.PrometheanWorld.com/ActivCare. All dimensions +/- 5mm (0.2in). All weights +/- 0.9kg (2lb). Product Specifications are subject to change without notice. www.PrometheanWorld.com

MINIMUM SYSTEM REQUIREMENTS

Operating Systems	Windows XP SP3 and above (XP/Vista/7); Mac OSX 10.4.11 – 10.6.4 (Tiger/Leopard/Snow Leopard); Linux Ubuntu 9.10 or 10.04; Debian Lenny; Linex Colegios 2010; Linkat 3; ALT_Linux
PC	2.0 GHz Intel Core 2 Duo or faster for HD-quality videos, 1 GB of RAM is required to play HD-quality videos, 1024 x 768 resolution, 1.5 GB of Free Disk Space
Mac	2.0 GHz Intel Core 2 Duo, 512 MB of RAM, 1024 x 768 resolution, 3.0 GB of Free Disk Space

MOUNT SPECIFICATIONS

Projector Mount	For use with Short Throw Projector, aluminium arm extends 1413mm (55.6in) from the wall
Room Height	Minimum room height 2400mm (94.5in)
Power	Power Outlets required for the projector, computer and ActivBoard
Weight (approx.)	Frame only: Approx. 9.7kg (21.5lb) excluding projector and cabling
Cable Management	Cables directed through the projector mount, mounting plate and behind the ActivBoard
Pack Weights & Dimensions	Box 1 of 1: 11.6kg (25.6lb) Dimensions: 1430mm x 325mm x 100mm (56.3in x 12.8in x 3.9in)
Packed Contents List	Wall Plate, Cover, Projector Mount and Mounting Plate, VGA Cable shipped separately

ActivBoard 178 Mount w/ PRM 32 55 05/12 V1.0

©2012 Promethean Limited. All rights reserved. Promethean Ltd. is owner of a number of trademarks in several jurisdictions across the world. Any third-party product and company names are mentioned for identification purposes only and may be trademarks of their respective owners. [†]Applicable Terms and Conditions for warranty and support available at www.PrometheanWorld.com/ActivCare. All dimensions +/- 5mm (0.2in). All weights +/- 0.9kg (2lb). Product Specifications are subject to change without notice. www.PrometheanWorld.com

PROJECTOR SPECIFICATIONS

Model	PRM-32 (DLP)
Native Resolution	XGA (1024 x 768)
Compressed Resolution	up to 1080i
Typical Colors	16.77 million colours
Brightness (ANSI lumens)	2000 ANSI (normal) 2300 ANSI (high)
Contrast Ratio	2000:1
Noise Level	33dB (normal) 36dB (high brightness mode)
Dimensions (w x d x h)	306mm x 216mm x 97mm (12in x 8.5in x 3.8in)
Weight	2.7kg (6lb)
Aspect Ratio	4:3 (native)
Power Consumption	280W (<1W standby)
Device Type	DLP Technology
Focus	Manual Focus
Zoom	Digital Zoom
Focal Length	F=2.87
Projection Distance	0.54m ~ 1.22m (21.3in ~ 48in)
Projection Screen Size	1.27m ~ 2.79m (50in ~110in)
Lamp Type	220W lamp
Lamp Life	6000hrs (normal), 4000hrs (high)
Keystone Correction	Vertical: max ±15°
Operating Temperature	5°C ~ 35°C (41°F ~ 95°F)
Power Supply Voltage	100 ~ 240V AC, 50/60Hz
Horizontal Scan Rate	15Hz ~ 90kHz
Vertical Scan Rate	50Hz ~ 85Hz

CONTINUED ON NEXT PAGE

ActivBoard 178 Mount w/ PRM 32 55 05/12 V1.0



©2012 Promethean Limited. All rights reserved. Promethean Ltd. is owner of a number of trademarks in several jurisdictions across the world. Any third-party product and company names are mentioned for identification purposes only and may be trademarks of their respective owners. ¹Applicable Terms and Conditions for warranty and support available at www.PrometheanWorld.com/ActivCare. All dimensions +/- 5mm (0.2in). All weights +/- 0.9kg (2lb). Product Specifications are subject to change without notice. www.PrometheanWorld.com

PROJECTOR SPECIFICATIONS (CONTINUED)

Computer Compatibility	IBM PC and Compatibles; Apple Macintosh, iMac, and VESA Standards WSXGA+ (1,680 x 1,050), WXGA+ (1,440 x 900), WXGA (1,280 x 800, 1,280 x 768), UXGA (1,600 x 1,200), SXGA+ (1,400 x 1,050), SXGA (1,280 x 1,024), XGA (1,024 x 768), SVGA (800 x 600), VGA (640 x 480)
Video Compatibility	NTSC (3.58/4.43), PAL (B/D/G/H/I/M/N), SECAM (B/D/G/K/K1/L), HDTV (720p, 1080i, 1035i), EDTV (480p, 575i), SDTV (480i, 576i)
Inputs/Outputs	D-sub 15 (RGB) x 2 D-sub 15 (Monitor out) x 1 S-Video x 1 Composite Video (RCA) x 1 USB control x1 Networking LAN (RJ45) x 1
Colour	Grey
Security	Kensington Lock, Security cable bar option, pin code security, remote control operated only
On-screen Menu	Arabic, Chinese (Simplified), Chinese (Traditional), Czech, Dutch, English, Finnish, French, German, Greek, Hungarian, Italian, Korean, Norwegian, Polish, Portuguese, Russian, Spanish, Swedish, Turkish
Advanced Features	Sealed Unit 3D Ready Crestron RoomView Express Quick Lamp Access Direct power on/off Closed Caption
Packed Contents List	Projector, Power cord, computer cable (D-sub15 – D-sub15), wireless remote, owner's manual (CD - ROM & Quick Start Guide)
Pack Weights and Dimensions	Box 1 of 1: 4.1kg (9lb) Dimensions: 408mm x 290mm x 197mm (16.1in x 11.4in x 7.8in) Contents: Projector

ActivBoard 178 Mount w/ PRM 32 55 05/12 V1.0

©2012 Promethean Limited. All rights reserved. Promethean Ltd. is owner of a number of trademarks in several jurisdictions across the world. Any third-party product and company names are mentioned for identification purposes only and may be trademarks of their respective owners. ¹Applicable Terms and Conditions for warranty and support available at www.PrometheanWorld.com/ActivCare. All dimensions +/- 5mm (0.2in). All weights +/- 0.9kg (2lb). Product Specifications are subject to change without notice. www.PrometheanWorld.com