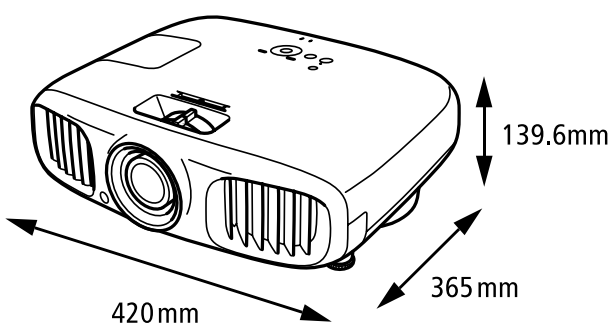


## SPECIFICATIONS

Model Number	EH-TW5910		EH-TW6100	EH-TW6100W
Projection System	RGB liquid crystal shutter projection system		✓	✓
Projection Method	Front / Rear / Ceiling mount		✓	✓
LCD	Pixel Number	2,073,600 dots (1920 x 1080) x 3		✓
	Native Resolution	1080p		✓
	Size	0.61 - inch wide panel with MLA (D9, C2Fine, 12 bit)		✓
Light Output / Colour Light Output (Colour Brightness)	2,100lm / 2,100lm		2,300lm / 2,300lm	2,300lm / 2,300lm
Screen Size (Projected Distance)	30 to 300 inches [0.87 to 8.9m] (Zoom: Wide)		✓	✓
	30 to 300 inches [1.42 to 14.5m] (Zoom: Tele)		✓	✓
Contrast	20,000:1		40,000:1	40,000:1
3D Format	Frame Packing	1080p 24, 720p 50/60		✓
	Side by Side	1080p 50/60, 1080i 50/60, 720p 50/60		✓
	Top and Bottom	1080p 24, 720p 50/60		✓
WirelessHD	N / A		N / A	Supported
Projection Lens	Type	Optical Zoom (Manual) / Focus (Manual)		✓
	F-number	1.51-1.99		✓
	Focal Length	18.2mm - 29.2mm		✓
	Throw ratio	1.32 - 2.15:1		✓
	Zoom Ratio	1-1.6		✓
Lens Cover	Lens cap (Without string)		✓	✓
Lamp Type	230W UHE (E-TORL)		✓	✓
Fan Noise	Power Consumption: ECO	24dB (Colour mode: Cinema)		✓
Supported Video Signals	480i / 576i / 480p / 576p / 720p / 1080i / 1080p NTSC x 1 / NTSC4.43 x 1 / PAL x 1 / M-PAL x 1 / N-PAL x 1 / PAL60 x 1 / SECAM x 1			
Digital Input	HDMI x 2			
Video Input	Component x 1, Composite RCA (Yellow) x 1, Audio L/R pair RCA (Red/White) x 1			
USB PC-free Slideshow	USB type A x 1			
Analog RGB Input	D-sub 15pin x 1			
Control I/O	RS-232C			
Internal Speaker	Sound Output	Stereo: 10W x 2		
Colour Mode	Auto, Dynamic, Living room, Natural, Cinema, 3D Dynamic, 3D Cinema			
Adjustment Functions	Auto Iris	Controlled automatically adjusting to video source (User selectable High Speed / Normal / Off on OSD)		
	Aspect Mode	Auto / Normal / Full / Zoom / Wide		
Keystone Correction	Vertical: -30 to +30 degrees (Auto)		✓	✓
		Horizontal: -30 to +30 degrees (Slide)		✓
Operating Temperature	5° C to 35° C (41°F to 95°F)			
Power Supply Voltage	100 - 240 V AC + / - 10%, 50/60 Hz			
Exhaust Direction	Front			
Intake Direction	Front			
Dimension	Excluding Feet (W x H x D)	420 x 137 x 365mm		✓
	Maximum Dimension (W x H x D)	420 x 139 x 365mm		✓
Weight	Approx. 13.23lbs./ 6.0kg		Approx. 13.67lbs. / 6.2kg	
Super-Resolution	5 Steps (2D Mode only)			
2D - 3D Conversion	3 steps			
Supplied Accessories	Power Cable (3m), Remote Control, Battery, User's Manual Set, HDMI Cable Clamp x 2, WirelessHD Transmitter Set (EH-TW6100W only), Full HD 3D RF active shutter glasses x 1 (EH-TW6100 & EH-TW6100W only)			
Other Functions	Brightness Control, Epson Super White, Customized Gamma Adjustment, Six-Axis Colour Adjustment, Advanced Sharpness Adjustment, Tilt Angle (0 to 10.0 degrees), Memory (1-10)			



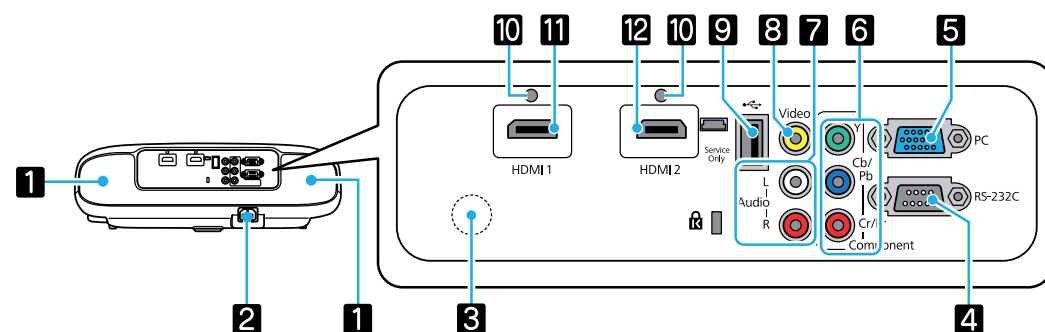
## OPTIONAL ACCESSORIES

Spare Lamp		ELPLP68
Air Filter	1 sheet	ELPAF38
Ceiling Mount		ELPMB22
		ELPMB30
Ceiling Pipe	668 - 918mm, White	ELPPFP13
	918 - 1168mm, White	ELPPFP14
RF 3D Glasses		ELPGS03
USB Charging Adaptor		ELPAC01



## INTERFACES

- 1 Speaker
- 2 Power inlet
- 3 Remote control light receiver
- 4 RS-232C port
- 5 PC input port
- 6 Component input port
- 7 Audio (L-R) input port
- 8 Video input port
- 9 USB port
- 10 Cable holder
- 11 HDMI1 input port
- 12 HDMI2 input port



## Better Products for a Better Future

The WiHD™ logo is licensed for use by WirelessHD, LLC.

For further information please contact your local Epson office or visit [www.epson-europe.com](http://www.epson-europe.com)  
Not all products are available in all countries. Please check with your local Epson representative for details.

Austria 0810/20 01 13 (0,07 €/min) Belgium 070/350120 (0,1735 €/min) Czech 800/142 052  
Denmark 44 50 85 85 Finland 0201 552 091 France 09 74 75 04 04 (Cost of local call, operator charges may apply) Germany 01805/23 41 10 (0,14 €/min aus dem dt. Festnetz, Mobilfunkpreise abweichend).  
Ab 1.3.2010 Mobilfunkpreis max. 0,42 €/min) Greece 210-8099499 Hungary 06800 147 83  
Ireland 01 436 7742 Italy 02-660321 10 (0,12 €/min) Luxembourg 900/43010 (0,24 €/min)  
Middle East +9714 8818934 Netherlands 0900-5050808 (0,05 €/oproep + 0,15 €/min)  
Norway +47 67 11 37 00 Poland 0-900 4911299 (0,16 zł/min) Portugal 707 222 111  
Russia (095) 777-03-55 Slovakia 0950 1111 429 South Africa (+2711) 468-9821 Spain 93 582 15 00  
Sweden 0771-400135 (Mobilsamtal - 0,99 kr/min, Lokala samtal - 0,30 kr/min, Utlandssamtal - 0,89 kr/min)  
Switzerland 0848 448820 (8 cent./min) Turkey (0212) 3360303 United Kingdom 0871 222 6702

Trademarks and registered trademarks are the property of Seiko Epson Corporation or their respective owners.  
Product information is subject to change without prior notice.



**EPSON**

## EPSON EH-TW5910, EH-TW6100 AND EH-TW6100W

# BRIGHT 3D HD HOME ENTERTAINMENT



3D Full HD 1080p

ENGINEERED FOR YOU



**EPSON**  
EXCEED YOUR VISION



# FULL HD 2D AND 3D ENTERTAINMENT

## Outstanding brightness

You can enjoy clear, immersive Full HD 2D and 3D images in any light condition thanks to an equally high White and Colour Light Output: watch your favourite films, play video games or cheer on your favourite sports team.



Thanks to these high brightness levels, Epson is amongst the few manufacturers to achieve the digital cinema brightness standards set by major industry figures.

## E-TORL

Each projector's high lumen output is provided by the small, yet powerful, 230W E-TORL lamp (Epson Twin Optimize Reflection Lamp).



Lower brightness projector with ambient light    EH-TW6100 series with ambient light

## D9 C<sup>2</sup>Fine technology panel

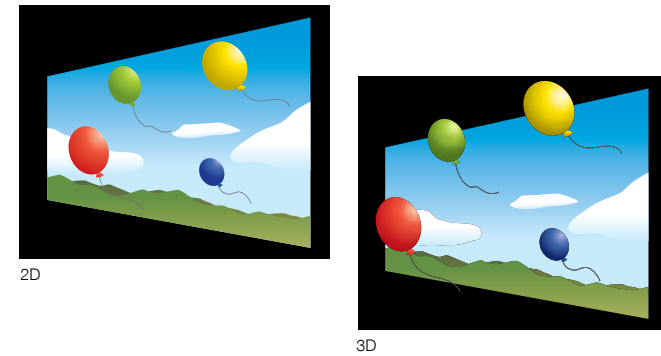
Despite its small size, this all-new D9 C<sup>2</sup>Fine technology panel gives you greater brightness than ever before, thanks to a large aperture ratio.



## 2D to 3D conversion

### Turn any Full HD 2D image into 3D

A simple press of a button will transport you into an immersive three dimensional experience, by converting 2D high definition films and video games into 3D. This means you can experience even more 3D content.

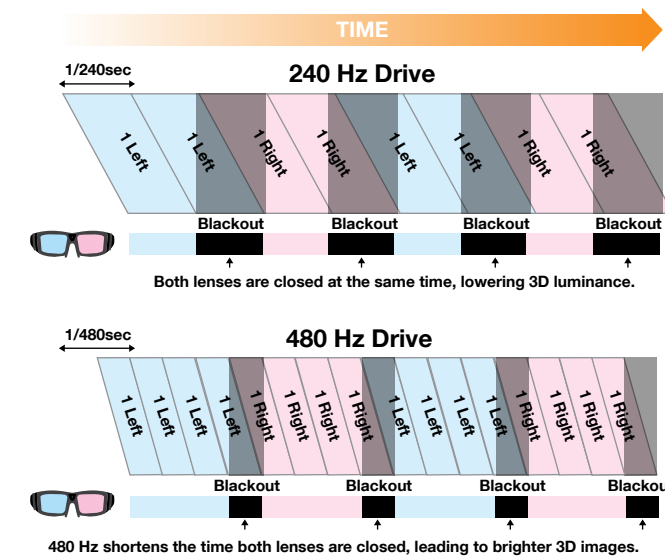


2D

3D

## Bright 3D

3D content is noticeably brighter than many Full HD 3D home cinema projectors. With Epson's luminance enhancement technology, the refresh rate is doubled, from 240Hz to 480Hz. This reduces the crosstalk effect dramatically and means the blackout period between left and right eye images is cut down.



# SHARPER RESOLUTION

## Super resolution

### Sharper images

Super Resolution technology ensures images are clear and sharp for optimum viewing, no matter what you are watching. Blurriness, caused when images are zoomed in and enlarged, is reduced and DVDs can also be enjoyed with much sharper quality.



Without super resolution

With super resolution

## Auto colour optimiser

### Perfect colour settings every time

Each projector automatically selects a suitable colour mode by automatically sensing light levels in the room. This means you can immerse yourself in the big screen experience instead of adjusting the menu settings.

Brightness	Usage Environment		Transition
	Images	Description	
300-Lx		Daylight viewing	
200-300lx		Sunset viewing	
100-200lx		Daylight viewing with ambient light	
30-100lx		Night-time viewing with ambient light	
0-30lx		Night-time viewing without any light	

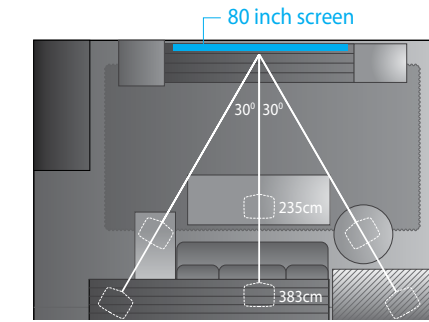
\*1 40,000:1 contrast ratio on EH-TW6100/W only. EH-TW5910 has 20,000:1 contrast ratio.

# INSTALLATION FLEXIBILITY

## Flexible installation

### Keystone correction - Straight images every time

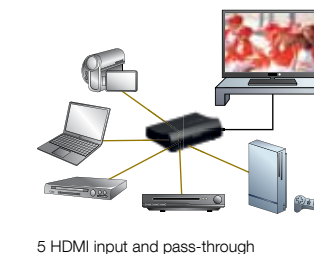
The projector is quick and simple to set up, with its automatic vertical and manual horizontal keystone corrections. Whatever its angle and wherever you place it, you can easily align the projection for a straight and correct image. Great for settling down to a film, arranging online games quickly or making sure you're ready for the start of important sports events.



## WirelessHD

### No need for HDMI Cables

You can immerse yourself in Full HD picture quality without cables or wires by connecting WiHD devices in 'real time' directly to the projector.\*2 Alternatively, you can plug your non-WiHD devices into Epson's new wirelessHD transmitter via HDMI. 'Real time' high-resolution WiHD connection ensures films and other content are shown without delay or picture lag. Our new wirelessHD transmitter has five HDMI inputs, one pass-through input and a digital audio output. That's five different inputs without having to constantly insert and remove cables. And you can easily switch between the five inputs by remote control.



5 HDMI input and pass-through

## Front-facing ventilation

### Comfortable viewing

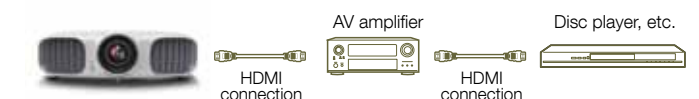
With a front-facing ventilation system, you're not subjected to uncomfortable hot air while watching content. It also means you can house the projector in bookcases and other enclosed spaces without the danger of it over-heating.



## Remote control

### Control multiple devices

The projector and any HDMI connected device can be easily controlled with a single remote control. It also features a backlight for use in low lighting conditions.



## Built-in speakers

### Two built-in 10W stereo speakers

EH-TW6100 series projectors have two built-in speakers, so you can listen to rich sound without having to connect a separate speaker.



## 40,000:1 contrast ratio\*1

### Advanced auto iris technology

Epson auto iris adjusts the aperture to provide suitable and optimum contrast and brightness in any environment. Bright film scenes are crisp and clear, while dark, shadowy scenes easily showcase their rich, deep blacks.



Lower contrast ratio projector



EH-TW6100 series

\*2 WirelessHD function is available across the 27 members of the EU in addition to Croatia, Iceland, Norway, Saudi Arabia, Switzerland, Turkey and United Arab Emirates. Subject to change. Please contact your local Epson sales office for individual market availability