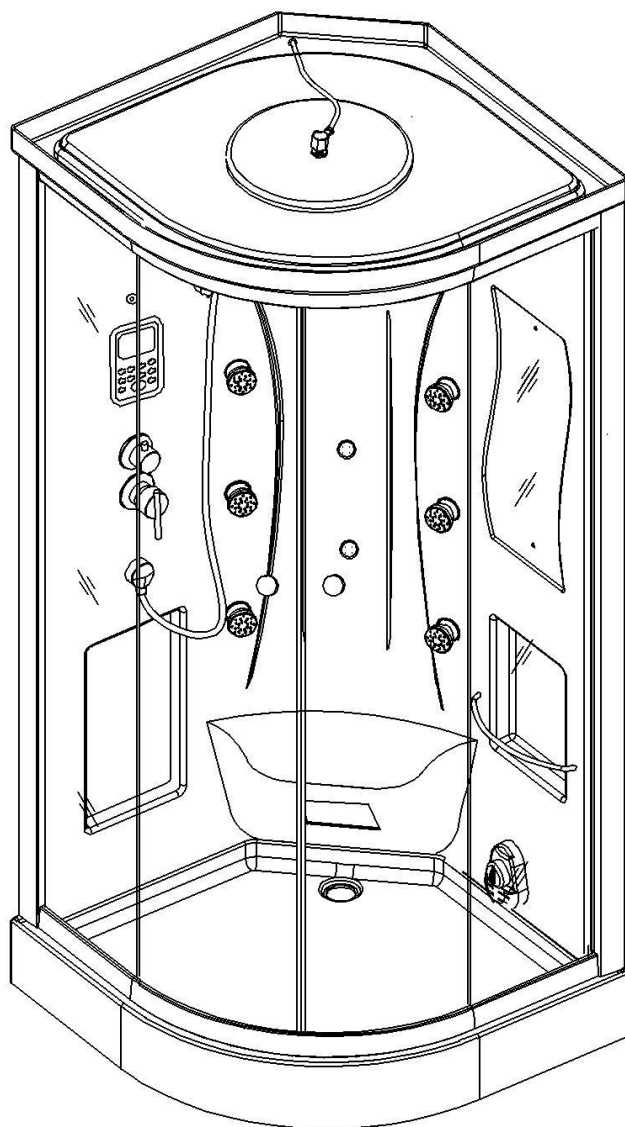


G-837B STEAM ROOM

INSTALLATION MANUAL



MAKE THE MOST OF YOUR SHOWER!

Thank you for choosing our computerized shower room. Our best wishes are to warm your lovely life by our elaborate design. It is such an honor to have you enjoyed. For your proper operation and using, please read this instruction and act accordingly. Your satisfaction is our best reward.



1. TECHNOLOGICAL PARAMETERS3

2. WATER AND POWER CONNECTION5

3. OPERATION6

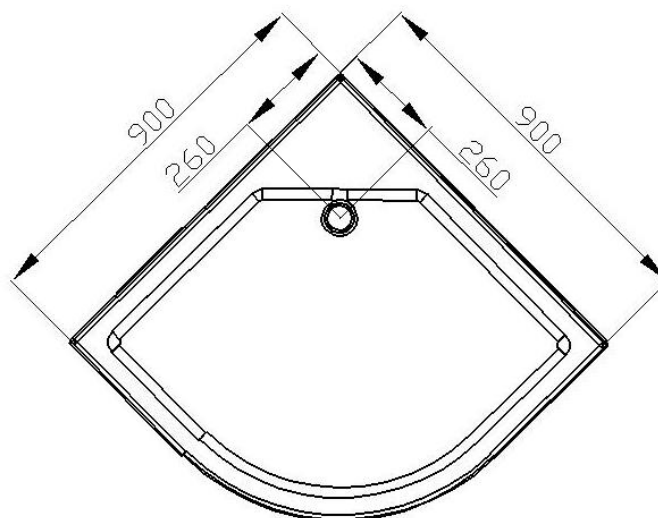
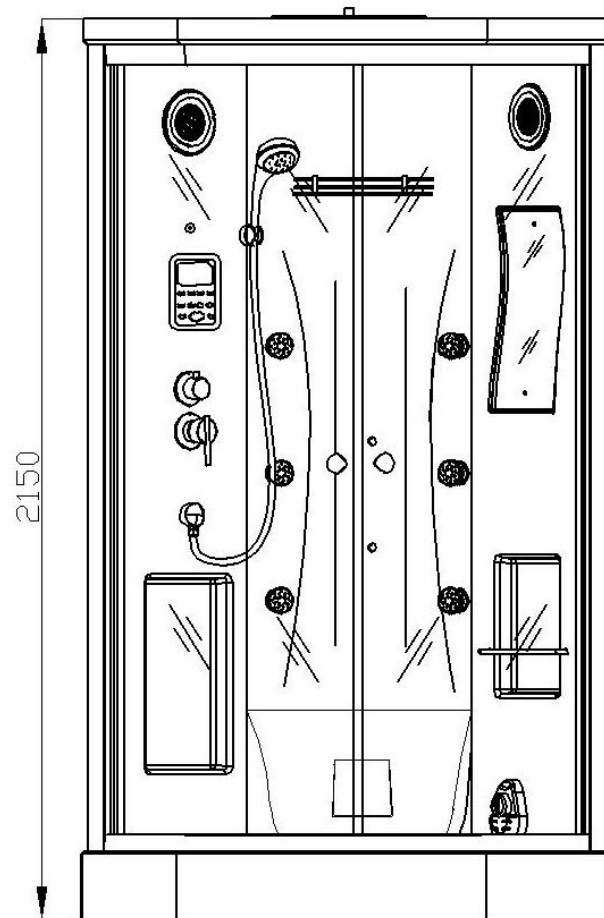
4. INSTALLATION MANUAL7

5. FAUCET USING13

6. CHECKING AND MAINTENANCE14

7. CLEAN AND MAINTENANCE15

I、Diagram:

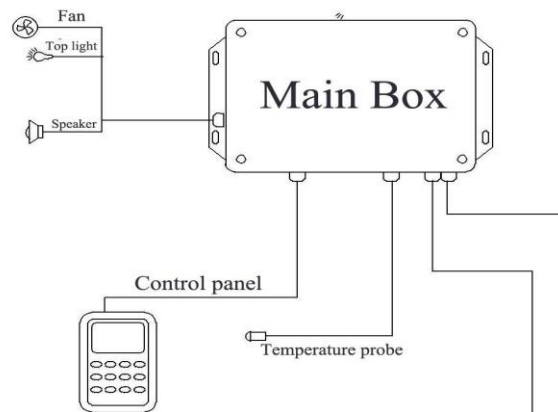


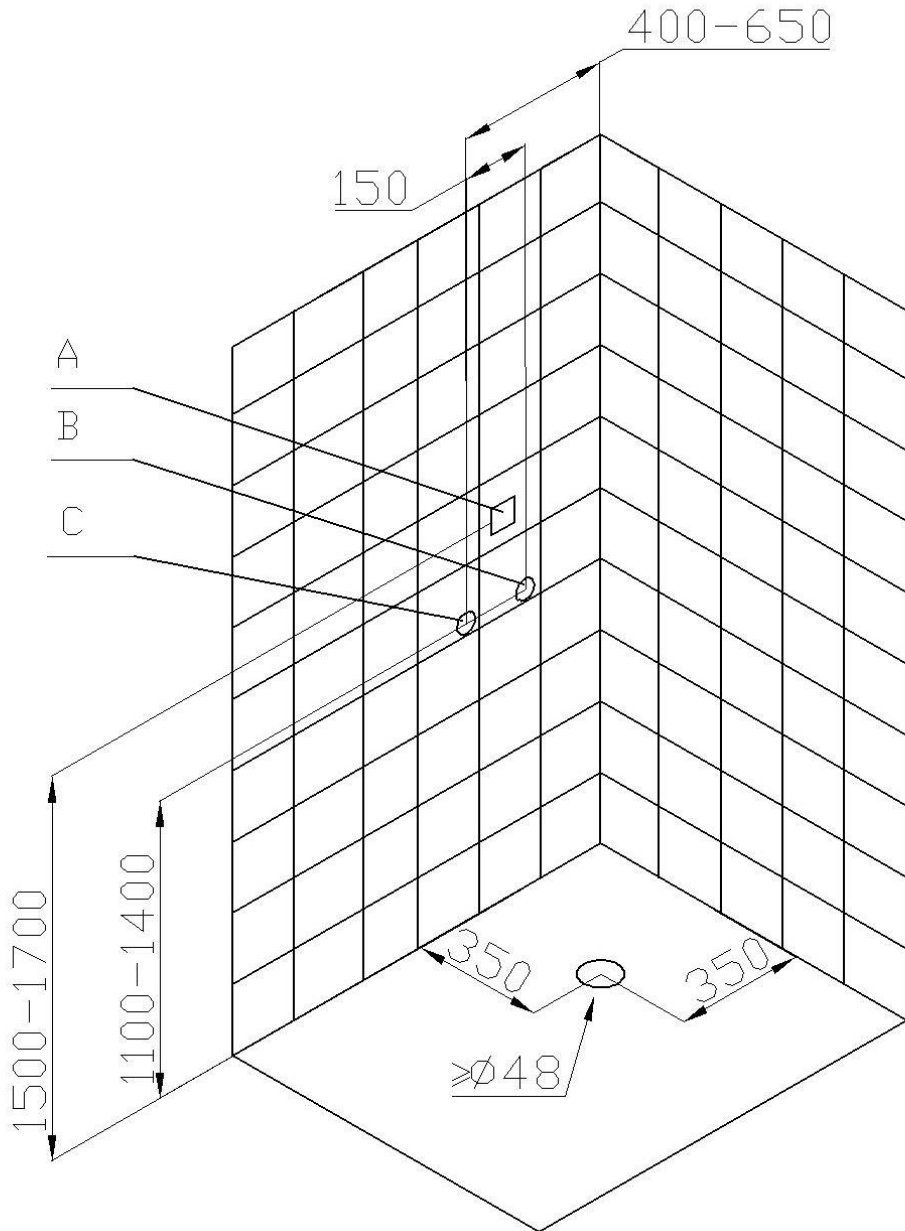
Electricity's technical parameters:

Working conditions and features				
Rated Voltage	AC230V	Rated frequency	50HZ	
Rated currency	9.5A	Rated power	100W	
Insulating resistance	> 20MΩ	Waterproof grade	IP X5	
Load configuration parameter				
Load sort	Rated load voltage	Rated load frequency	Rated load power	Other
Control Panel	AC220V-240V	50-60HZ	100W	-----
Light	AC12V	50HZ	10W	-----
Fan	DC12V	-----	5W	-----
Loudspeaker	-----	-----	8Ω/5W	-----
Control panel size				

Remark: Implement the universal requirement of the home appliances and similar use electrify machine and the corporation's product standard.

三、Electricity's part connection diagram:





Comment:

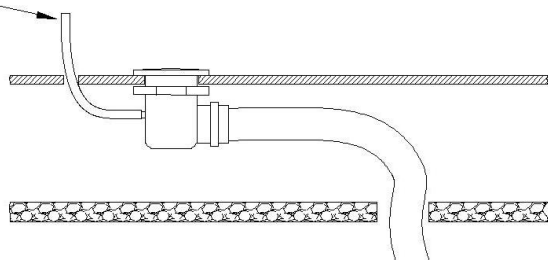
A: electrical source

B: hot water inlet

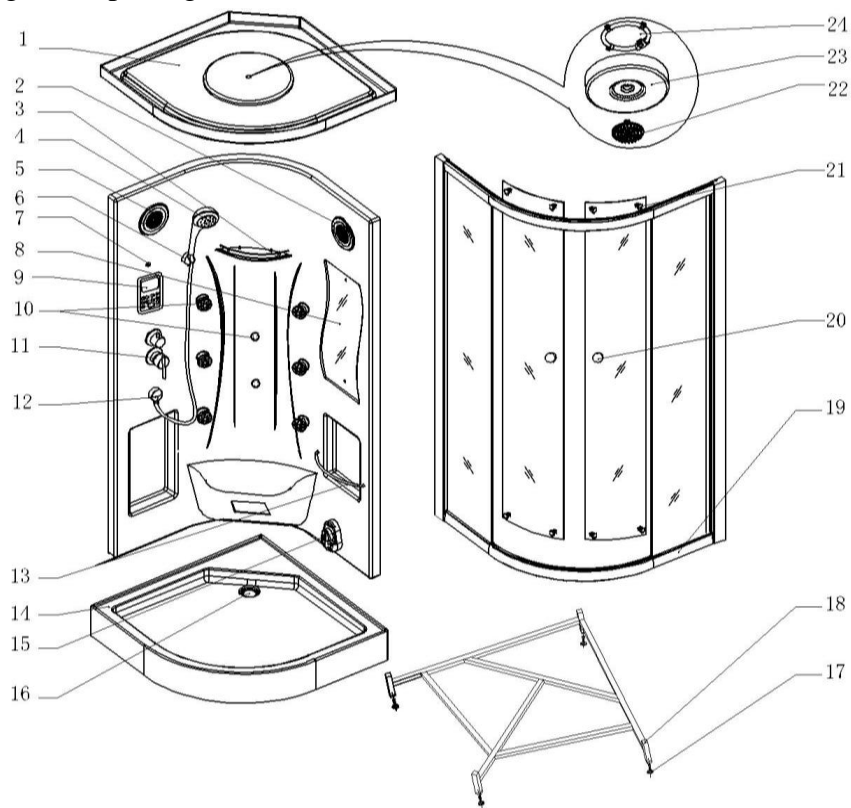
C: cold water inlet

Connect steam outlet

Down comer installation diagram:

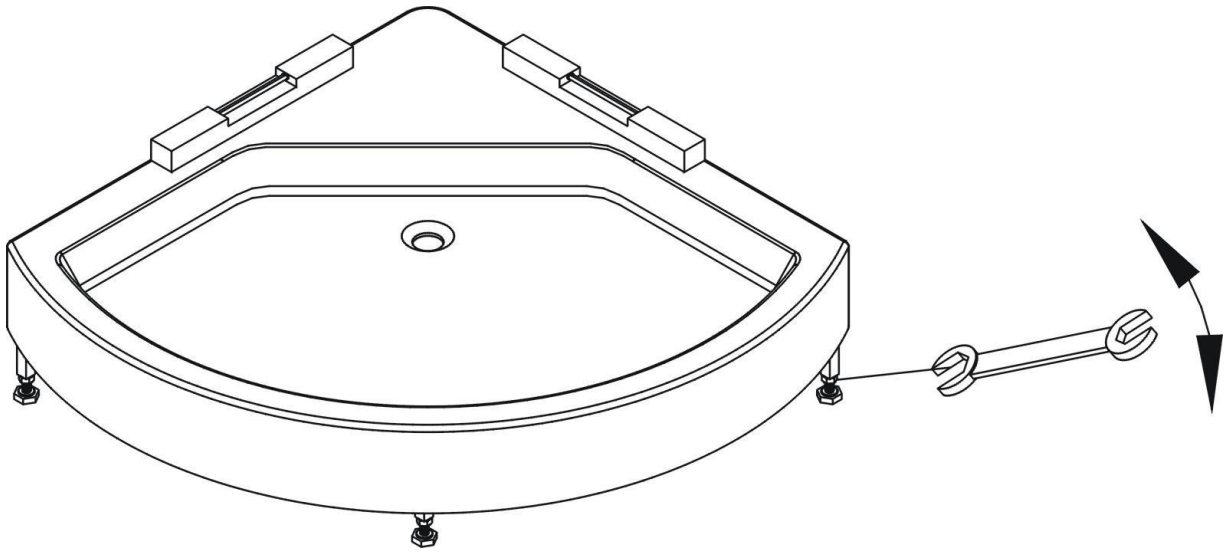


1. When you receive the goods, check the package and the goods, especially the visible damage on the package. Once there is any damage, work it out with the carrier or the deliverer immediately. The manufacturer is not responsible for the problems during the shipment.
2. Ensure the required water and electrical condition at the scene of the installation.
3. The installation needs the cooperation of two professional people at least.
4. Check the serial number on the package; ensure two cartons are same number.
5. When you open the package, check the accessory list, guarantee card and user manual, and check the part list and the product. Make sure remove the protect film from Lid(1) and Base Tray(14) before assembling.
6. Hydraulic pressure is more than 0.3PA
7. The appliance should be supplied through a residual current device (RCD) having a rated residual operating current not exceeding 30mA, and test it monthly. This appliance must be earthed and the equipotent bonding conductors must be well connected before use.
8. The containing in the package are as follows:



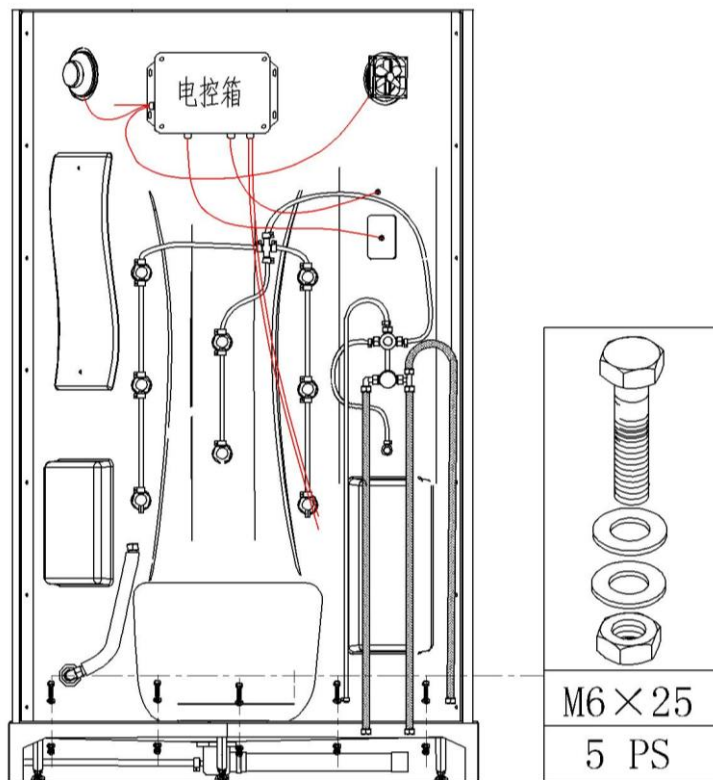
- | | | |
|----------------------|--------------------------|---------------------------|
| 1. Lid | 9. Control panel | 17. Adjustable feet |
| 2. Loudspeaker | 10. Body jets | 18. Stainless steel frame |
| 3. Shelf | 11. Faucet | 19. Glass door |
| 4. Hand shower | 12. Hose connector | 20. Handle |
| 5. Fan | 13. Shelf bar | 21. Door roller |
| 6. Hand set | 14. Base tray | 22. Head shower |
| 7. Temperature probe | 15. Steam box (No steam) | 23. Light cover |
| 8. Mirror | 16. Drain | 24. Top light |

1.



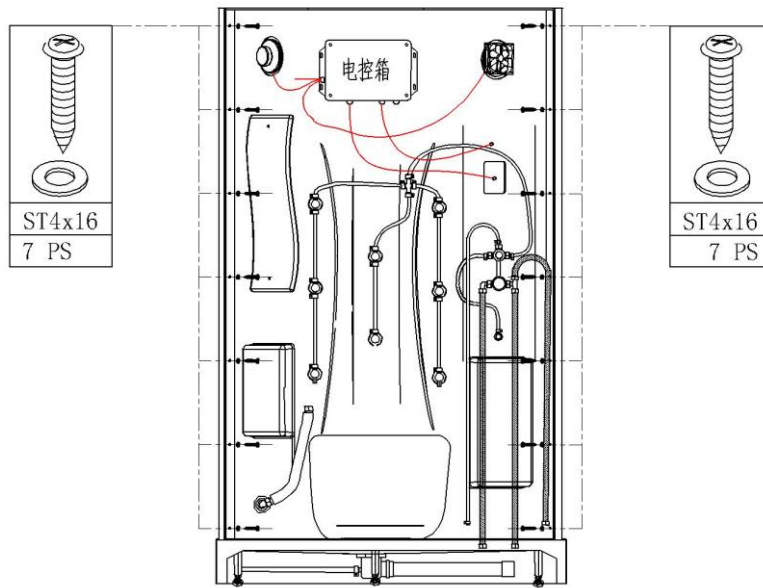
Put the base tray at the place as desired, adjust the four plastic feet on the bottom to horizontal level, then tighten the nuts on the feet.

2.



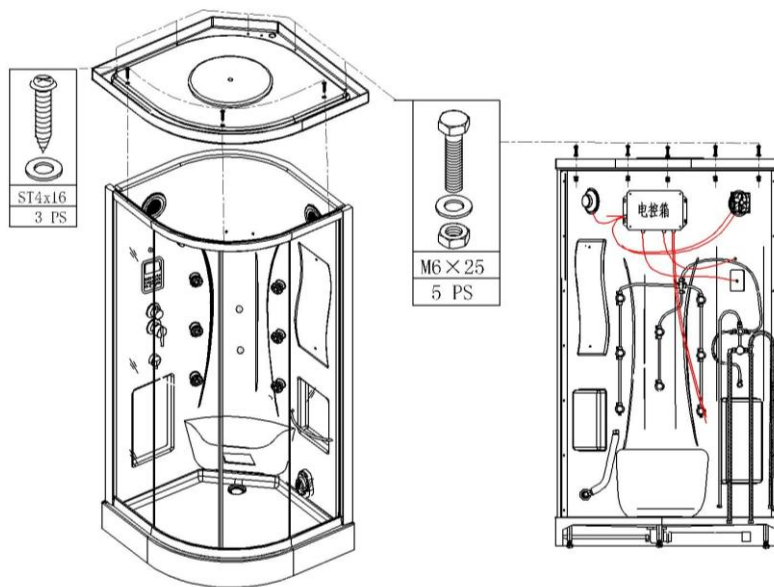
Move out the base tray to 400~600mm distance, put the backboard on the base tray, insert M6X25 (5PS) and bolts(supplied with the products) into the installation holes to roughly attach to the base tray.(see diagram)

3.



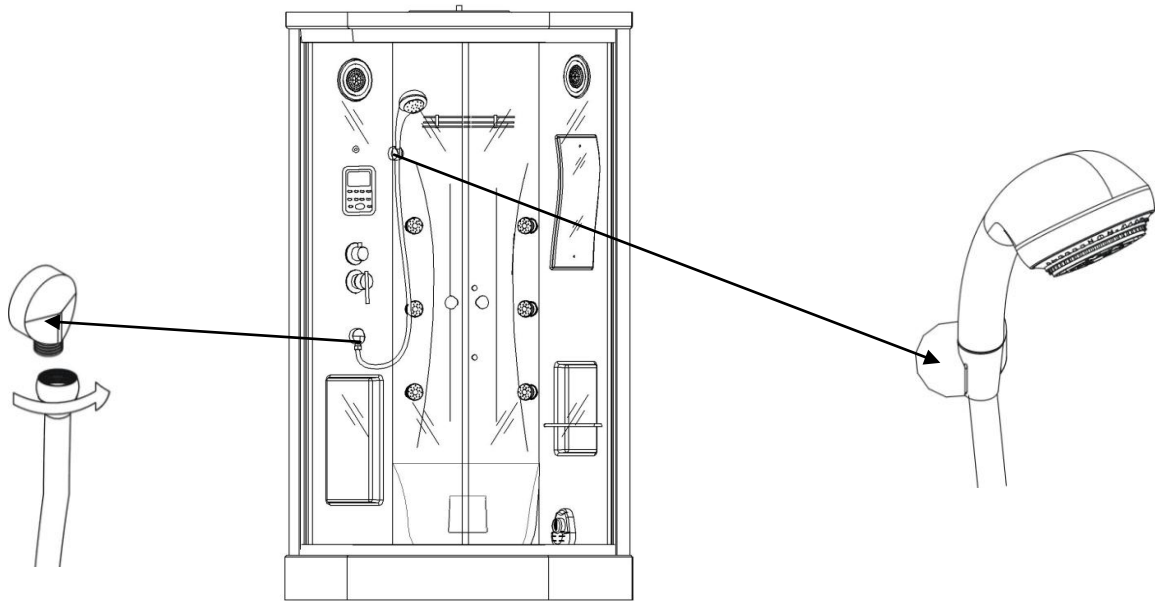
Put the glass door on the base tray in the direction of ex-work mark (arrow up), align the installation holes of door and backboard and get them together with ST4X16 (14PS) with self tapping screws, then closed the door(it is generally adjusted before leaving the factory) . (See diagram)

4.



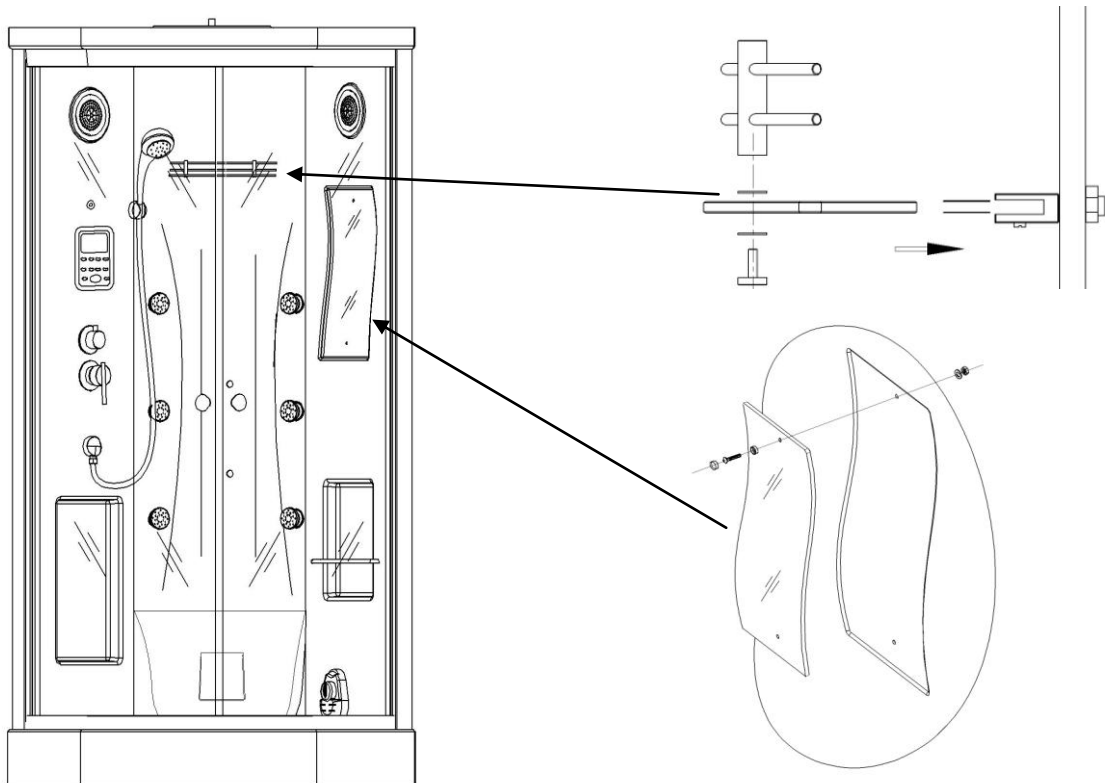
Put the lid on the backboard, align the installation holes of lid, backboard and aluminum panel, and get them together with M6X25 (5PS) , aluminum panel connect with ST4X16 (3PS) hex bolts self tapping screws.

5.



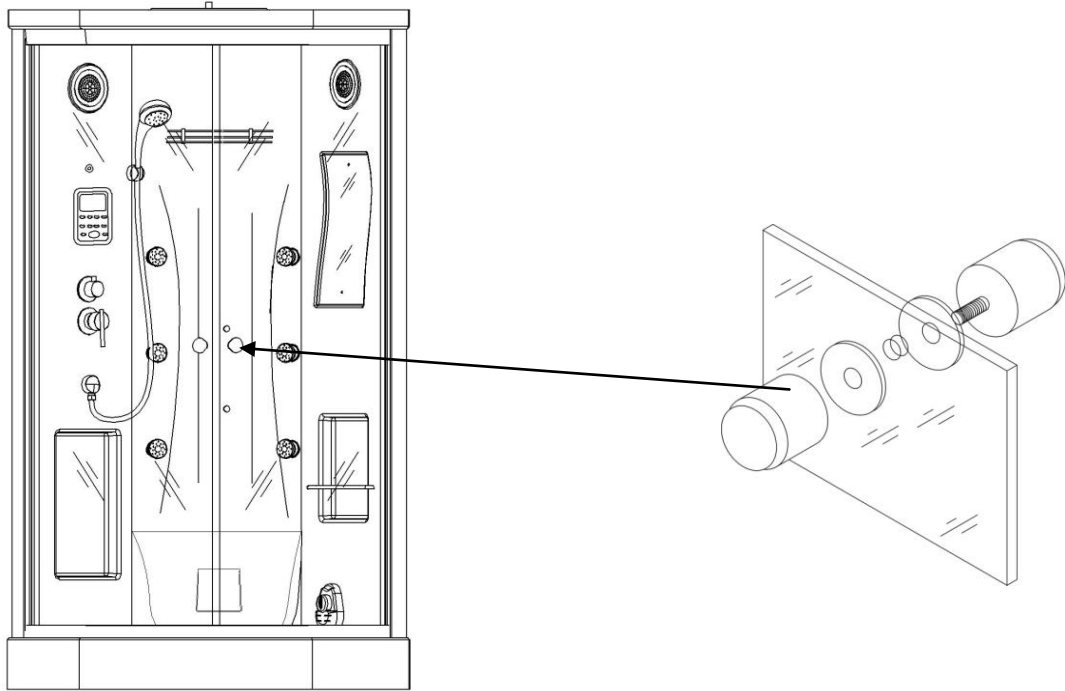
The hand shower is packed separated by the factory to avoid damage during the transport, after body installation, please use the hose to connect with rear panel and hand shower.(see diagram)

6.



You should clean the place the designated for installation of mirror and shelf before aligning and fixing them (see diagram)

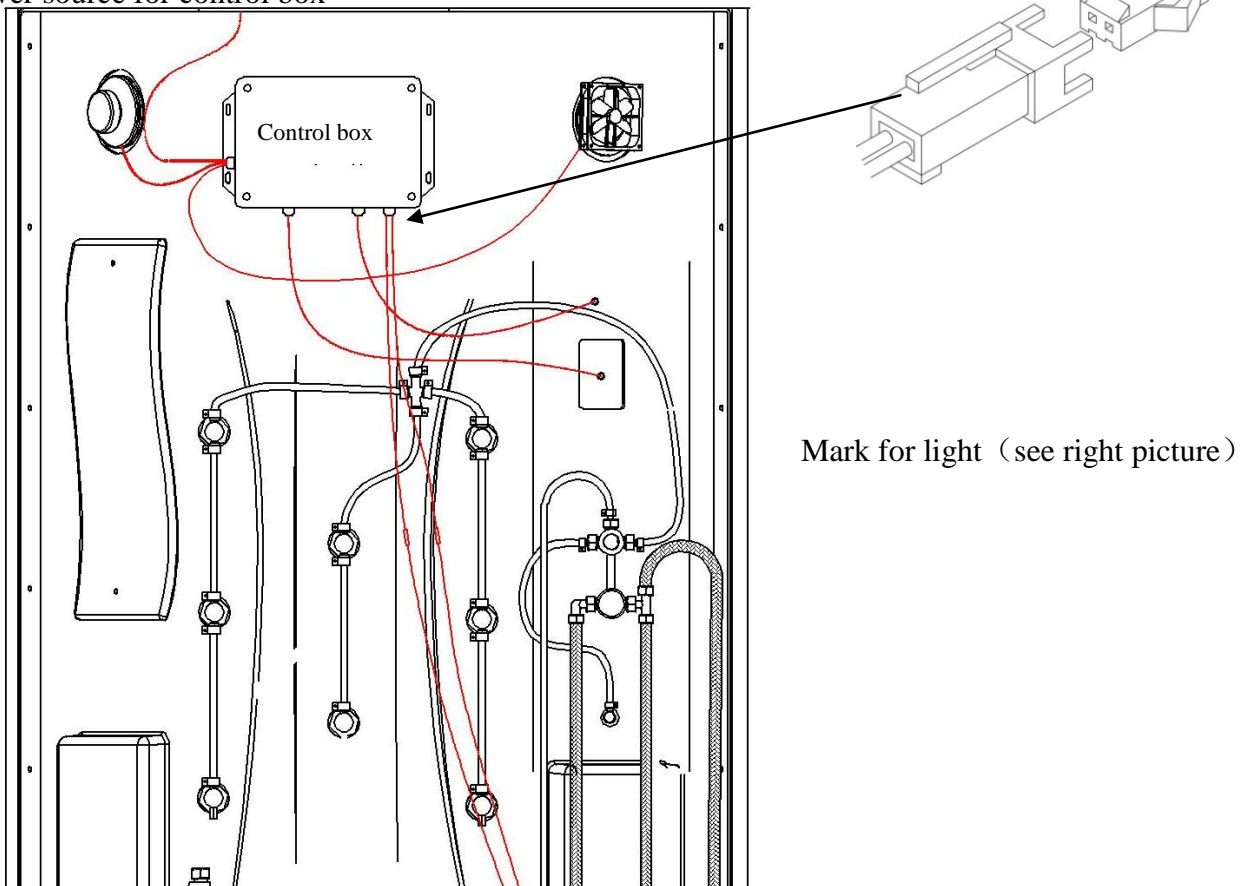
7.



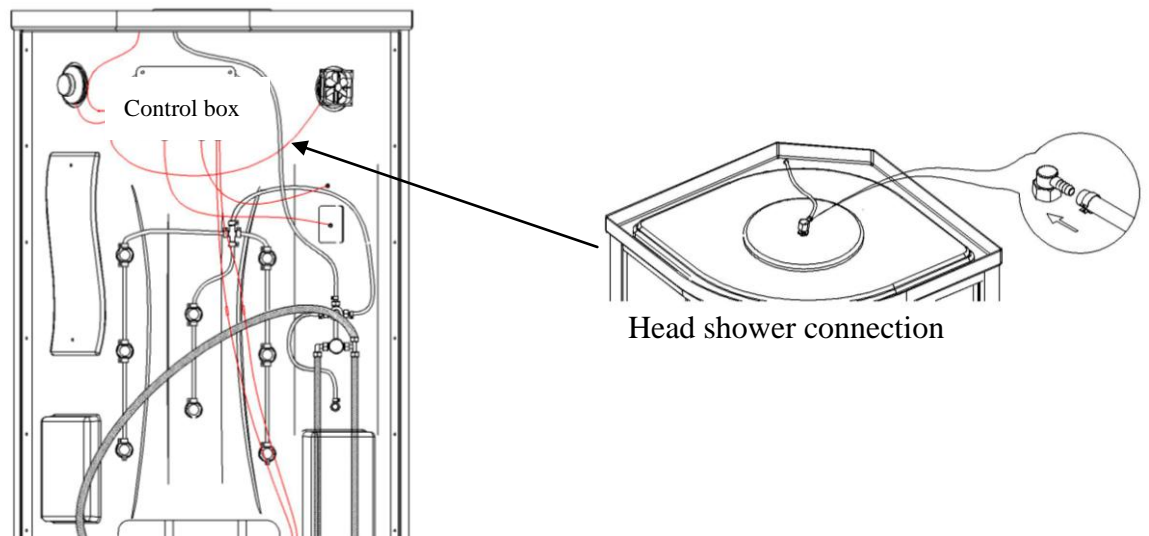
You should clean the place the designated for installation of handle before aligning and fixing them

(See above diagram)

8. Power source for control box



Mark for light (see right picture)



See the above picture for the pipe connection. Marked red is for hot pipe, marked blue is for cold pipe. See the above picture for connecting the head shower, the pipe go through the lid hole and down to the faucet connecting and screw tightly the nut.



◆ Switch on/off

You can turn it on by rotating the lever to clockwise direction, while you will turn it off to the other direction. The water flow is adjustable.

◆ Shower convertor

Switch the shower function, such as hand shower, bathtub water in according to the sign on the faucet.

◆ Water temperature adjustment: turn the cold and hot water faucet to left and right. It can also be turned on or off by turning up and down.

◆ Turn the convertor to whatever you need according to the signs.

G-837B STEAM ROOM INSTALLATION MANUAL CHECKING AND MAINTANCE

phenomenon	Malfunctions display	Failure possible reason	Solutions
Can not start	No display on the monitor	1.Power line unsuitably connected or no power supply. 2.Insufficient power 3.2A fuse damaged. 4. Current leakage protection switch damaged.	1.Correctly connect or wait for the electricity supply to resume. 2.The power must reach the required standard 3.Replace the 0.8A fuse. 4. Replace the current leakage protection switch.
Switch failure	Power off right after turned on	1.Leakage protection switch damped or damaged 2.short cut	1.replace the switch 2.recheck the circuit
	Indicating light is off	1.electronic components damaged 2.cable loosen	1.repair or replace the relevant component 2.reconnect the cables
No steam comes out		1.lack of water supply 2.water pressure lower than 0.5Mpa 3.heating element in the steam generator is broken 4.no water coming in the steam generator 5.steam pipe is stuck or broke 6.haven't reached the required heating time 7.the indoor temperature is higher than the setting temperature	1.wait for the water back to normal 2.install booster on the main water pipe 3.replace with a new one 4.check the inlet valve 5.remove the obstruction or replace the pipe 6.wait for a while 7.set a higher temperature or wait for it to cool down
Self protection		1.lack of water pressure 2.inlet or outlet valve got stuck 3. draining pipe got stuck 4. steam pipe got stuck	1.install booster 2.clean out the obstruction 3.clean the drain pipe 4.clean the steam pipe
Overheating		1.the set temperature is too high 2.temperature sensor fails to work	1.set a lower one 2.replace with new one
Steam cut off		1.Set times up. 2.set temperature is too low 3.electronic component (heating element) damaged	1.reset the time 2.set a higher one (couldn't be lower then the temperature in the room) 3.repair or replace
Water leaks from the steam outlet		1.floater is out of control 2.the circuit in charge of checking the water level is out of control	1.check the floater 2.check the components in that circuit

No sound comes from the speaker	Monitor is working	1.no FM signal 2.mute 3.speaker damaged 4.antenna loosen	1.readjust the channel 2.increase volume 3.replace a new one 4.reconnect it and adjust the position
	Monitor is not working	1.circuit or electronic components damaged 2.cable loosen and not connected well	1.replace it 2.reconnect it or replace it

Attention: Within the guarantee time, DO NOT breaks the seal on the electrical box and the steam generator on your own. DO NOT repair or replace the circuit on your own. If any problem occurred, please contact the local distributor or the manufacturer for after-sale service.

G-837B STEAM ROOM INSTALLATION MANUAL CLEAN AND MAINTANCE

- 1、 When it comes to daily cleaning, basically, liquid detergent and soft cloth should be involved. DO NOT EVER sterilize it by detergent with acetone and ammonia. DO NOT EVER use detergent with formic acid or formaldehyde.
- 2、 To apply with some wax to polish it will bring you the glossy surface back.
- 3、 The blotch on the surface can be wiped away by soft cloth with toothpaste.
- 4、 The scale on the surface can be cleaned out by soft cloth with lemonade or heated vinegar.
- 5、 To deal with slight scratches or burn by cigarette, you shall rub it off by 1200 sand paper which needs to be softened by water first, then polish it by certain amount polishing paste.



DISPOSAL: Do not dispose of electrical appliances as unsorted municipal waste, use separate collection facilities.