



KORYÔ

User's Manual

Storage Water Heater

Read this instruction manually and preserve
the manual for future reference

KWHZF15Y
KWHZF25Y

CONTENTS

Safety Precautions	3
User Tips	3
Product Features	4
Security Characteristics	5
Technical parameter	6
Product Structure	6
Assembling Instructions	7
Pipe Connections	7
Caution	7
Operating Instructions	9
Operating Guides	10
Daily And Common Maintenance	10
Electricity Diagram	11
Trouble Causes & Treating Methods	11
Packing List	12

SAFETY PRECAUTIONS

- Our company does not take any responsibility for any damage caused due to inappropriate installation of the product.
- Before installing or using the product, please read the instruction manual carefully. Please ensure to install & use the product based on the instructions provided in this manual to avoid any accidental hazards.
- Before cleaning water heater or removing any covered parts of the water heater please remove the power cord from the power source.

USER TIPS

- Before operating it each time, you must make sure the electrical water heater is fully filled with water first. After that, you can put through the power source.
- When no tap water provides, you mustn't use the water in the tank of electrical water heater.
- For the cold and frozen regions in winter, when not using it for a longer period of time, you should make the water in the tank of electrical water heater empty.
- To empty the water heater, please refer the method mentioned in the Security Characteristics in this manual.
- When the electrical water-heater is in normal work, the pressure - leakage mouth of the security valve may exist the water drops to drip out. This belongs to the normal conditions. Take care not to block this pressure - leakage mouth.
- The power-source outlet must have the reliable ground connections for the use.

- Double-level Temperature-limiting Protection Switch: This electric water heater possesses one required artificial position-resetting double-level temperature-limiting protection switch. Enabling to automatically cut off the power sources when the electrical water heater is over-heat by the accidents or the water temperature is too- high. Guaranteeing the two poles are cut off. That ensures to be safe.
- The Position-resetting Methods of the Double Position Temperature - limiting

Device:

- 1) Pull out the power source plug
- 2) Make the plastic lid on the right side of the electrical water-heater to be opened with tools.
- 3) Press down the white-color position resetting button on the two-positional temperature limiter.
- 4) Close the plastic cover.
- 5) Slightly reduce the temperature-setting value.
- 6) Reinsert the plug of the power source and put through the power source. If the above-mentioned operations still can't let the whole unit put through the power and work normally, which indicates the water temperature in the tank is still over-high. Please open the water exiting valve and pour out the heat water for several minutes, then repeat the above mentioned procedures after waiting the water temperature reduces. In order to ensure the efficiencies of electricity-leakage protection function, you can press the testing button once every week. At this time, the position resetting button will skip up. Then make the position-recovery button press down, it will immediately resume the normal operations.

PRODUCT FEATURES

- Unique Profile: Fashionable personalized design, leading the market's new tide.
- Glass Lined Inner Tank: Rust-proof, Erosion-proof , Anti-leakage, More advanced with high efficiency & longer longevity.
- High efficiencies energy saving & temperature maintaining heat isolation layer: Adopting the thickened non-fluorine amine-gathering resin whole body's bubble-making heater isolation layers , good temperature-keeping performance. Reducing the heat loss with the maximum degrees. Under the electricity cutting off and temperature keeping conditions, still exiting efficiencies the hot water for provisions within 48 hours.
- Three-band power selection: 800W, 1200W and 2000W.

SECURITY CHARACTERISTICS

- **Security Valve:** This electrical water heater fits a mono-directional security valve. It must be installed at the water entering hole sector of this unit of the electrical water heater. When the tank's pressure is over 0.8 MPa, this valve will automatically leak the pressure. It may exit the water drops to fall down at the pressure leakage mouth sector. In any conditions, this pressure leakage mouth must not be blocked. You must keep it anti-through with the atmosphere. (Diagram 1)

Note: For the interior-ventilating styled security valve, its pressure leakage exit sector may not exit the water drops to drip down. Otherwise, during the heating procedure, the water-entering pipe's outer cover under the safety valve may have a certain temperature. This belongs to the normal conditions. This indicates that it is internally-draining the leakage pressure.

- If need to make the tank empty, first close the water-entering valve door, open the water-exiting valve door. Then tear down the fixed screw nails on the security valve with tools. Make the plastic handle lift up; let the water in the tank naturally flow out. (Diagram 2)

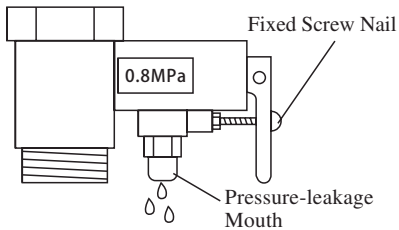


Diagram 1

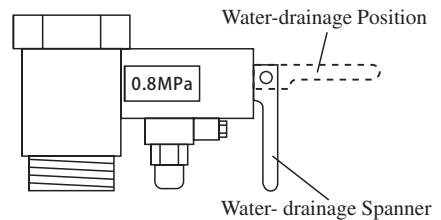


Diagram 2

TECHNICAL PARAMETER

Rated Voltage	230V~	Rated Power	2000W
Rated Frequency	50Hz	Rated Current	8.7A
Rated Pressure	0.8MPa	Rated volume	15L, 25L
Rated Water Temperature	75°C	Heating Efficiency	>90%
Water-proof Degree	IPX4	Structure Mode	Hermetically closed typed water storage style
Fitted Socket	250V~, 10A	Fixing Mode	Vertically hanging type

PRODUCT STRUCTURE

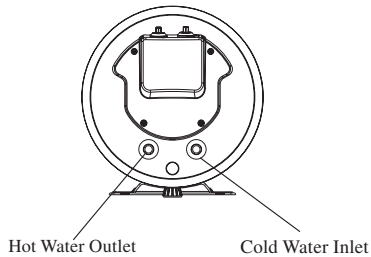


Diagram 3

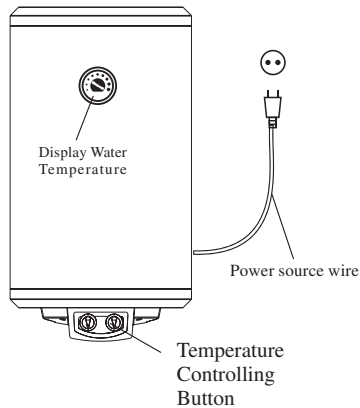


Diagram 4

ASSEMBLING INSTRUCTIONS

- This electrical water heater should be mounted on the solid cement walls and at a place which is closer to the power source socket.

Caution: Please try to use our company's fitted accessories to mount this electrical water heater. After confirming the brackets to be firmly fixed for the reliabilities , then you can hang on this electrical water heater.

Otherwise, the electrical water heater may fall down from the walls, and cause the severe damaging accidents.

- Before determining the bolt hole's position, you should guarantee the right side of the electrical water heater to be more than 200mm away the ground. This will be convenient to leave out a certain space to maintain when it is necessary.
- Assembling Method: After selecting the proper positions well, use the fitted inflation bolts to fix the hanging board firmly, and then hang on the electrical water heater (Diagram 5)

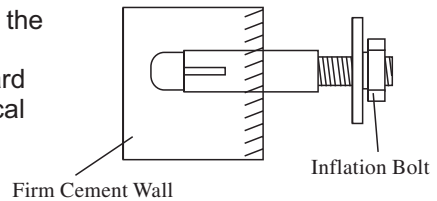


Diagram 5

PIPE CONNECTIONS

- All the pipe parts are G1/2. Wind a certain raw material tape at the water-entering mouth sector of the electrical water heater (Blue Sign Identification) Then re-install the mono-directional security valve well.
- The remaining pipe's connection method can be referred to No.7 figure (Diagram 6).
- If the user want to offer the water by poly-routes, then you can refer to the No. 8 figure for connecting the pipes (Diagram 7).

CAUTIONS ITEMS

- The installed walls must be solid; the inflation bolts must be tightly spun. And install it firmly. Mustn't loosen and prohibit to mount it in the heart-emptied bricks or the brick crevices.
- The power source's socket must be adopted the super-quality mono-phase tri-pole one .which complies with the state's ganges, and it must be

fitted the qualified ground wire, which must be installed at the properly high positions and the uneasily water-showered damp places. This outlet had better be typically used for the electrical water heater (Diagram 8).

- When it is in the initiative operation, you must ensure that the tank is filled with water after that, you can put through the power source.

Diagram 6

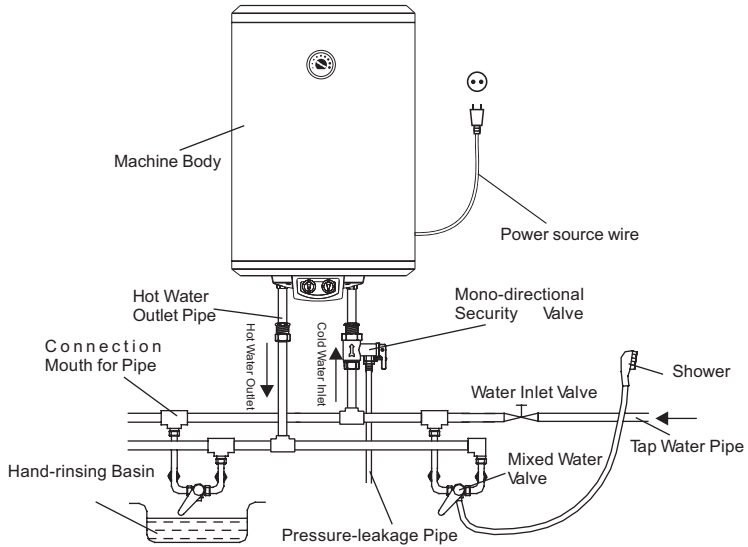
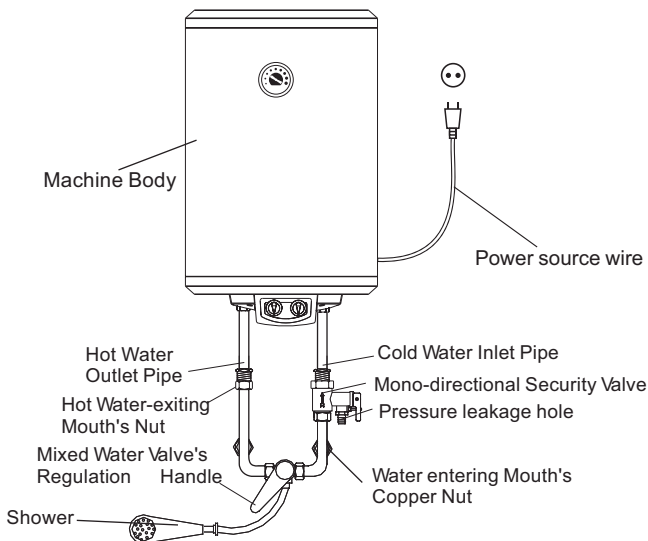


Diagram 7



OPERATING INSTRUCTIONS

- **Water Entering:** After fixing all the pipes, then make the cold and hot water-blending valve rotate to the high temperature sector according to the clockwise direction. And reopen the cold water pipe's water entering valve. At this time, the electrical water heater's tank will start to enter the water. Waiting that the shower sector of the water exiting mouth is in normal condition, which indicates that the tank has full filled with water

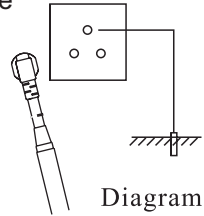


Diagram 8

Cautions: During the electrical water heater is in the normal operating procedures, the water-entering valve of the cold water pipe's mouth-entering sector must be in the open condition from the beginning to the end. At this time, the water-entering valve can still make the functions of regulating the water-existing mouth section's flowing strength and weakness. However, the cold and hot mixed water valve can only regulate the water temperatures and make the function of closing the water exiting.

- **Plug into the Power Source:** After confirming the tank to be fully filled the water, you can make the power source's plug into the outlet and put through the power sources.
- **Hot water operations:** After the electrical water heater normally works and the heats for a long period of time, you can use the hot water in the tank, you need to make the cold and hot mixed valve rotate with the clockwise direction slowly from the low temperature to the high temperatures in the closed condition. And adjust it to your proper temperature. At that time, the shower mouth can come out the hot water. After finishing the uses, you can turn it to the closed section by the anti-clockwise direction and shut off the mixed water valve.

Cautions: When adjusting the water temperature of the water-exiting mouth, you don't make the shower directly to the human body; you should test the water temperature first to avoid burning to damages.

- **Overheating Protections:** Under the condition of putting through the power, but the heating pipe won't heat from the beginning to the end. That means the two power-selecting switch will be in the putting through position. At this time, it may appear the over heat protections (that is to make functions by the double-positional temperature-limiting protection switch).

- Automatically balance the temperatures: When the water temperature in the tank reaches the set one , it will automatically cut off the power and halt heating. Meanwhile, the heating indicator will put out. The electrical water heater will be in the temperature-maintaining condition. When the water temperature in the tank reduces to a certain one, it will automatically begin to heat. After reaching the temperature, it will automatically cut off the power and be in the temperature-keeping condition. It will circulate to automatically work like these.

Note: If the power cord is damaged, it should be repaired or replaced by our company's service team or a qualified service technician only.

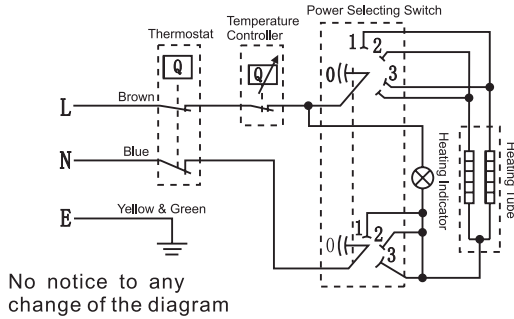
OPERATING GUIDES

- **Temperature setting:** According to your required temperature, rotate the temperature-adjusting knob in the clockwise direction. You can select to use the heating temperatures without grades in the temperature ranges of twenty to seventy-five degrees Celsius from closing to the low, medium and high bands or from low to high.
- **Power Selecting:** This product offers you three band power selections as follows: 800 Watts, 1200 Watts AND 2000 Watts

DAILY AND COMMON MAINTENANCES

- Frequently checking the connection of power source's plug and the outlet is in good condition. Reliable, whether heating. The plug's outlet is well connected to the ground or not.
- When it isn't in the operation for a long period of time, typically in the low temperature zones and avoiding the water freezing in the tank, which will cause the cracks of tank. After finishing use each time, you should make the water in the tank pour out.
- In order to assure the electrical water heater to work with high efficiency, you'd better clean the heating parts once each year. Remove the water dirt's deposits accumulated on the electrical heating parts and the tank's base (shorten the clean period if the water quality is bad).

ELECTRICITY DIAGRAM



TROUBLE CAUSES & TREATING METHODS

Trouble Circumstances	Obstacle Causes	Dealing Methods
The failure of Indicator lighting	1. No power or inappropriate contact	Inspect whether it exist the power and the touches between the socket and plug must be good.
	2. The interior wire damaged.	Consult service technician
	3. Indicator damaged.	
	4. Causing because of Overheat protector	
Low Water-exiting Temperature	1. Dificient heating time.	Await the heating time.
	2. The mixed water valve's temperature adjustment is over low.	Adjust the mixed water exiting temperature to be high.
	3. Temperature-controller Mal-functional.	Consult service technician
	4. The heating tube damaged.	
No water coming out at the hot water mouth.	1. Halting the tap water.	Awaiting the tap water to provide the water.
	2. Too low tap water pressure.	When awaiting the water pressure to raise high, re-use it.
	3. The mixed water valve damaged.	Changing it.
Water leakage	1. The various pipe mouth's connection positions are not hermetically sealed.	Hermetically seal the connection mouth well.
	2. The tank leaks the water.	Hire the professional mender to check and mend it.

WARRANTY

PRODUCT	WARRANTY PERIOD	MODEL NO.
Storage Water Heater	24 Months	KWHZF15Y / KWHZF25Y

We, Future Value Retail India Limited (hereafter referred to as the Company) Warrants to the purchaser of this KORYO Water Heater (hereafter called Product) Bearing Sl.No. as mentioned in the Warranty Card, that for a period of 24 months commencing from the date of original purchase, additionally 13 years warranty on inner tank totalling up to 15 years. The Company or its Authorised Service Franchisees will repair or replace with new or functionally operative parts, free of charge, any part or parts of the Product that are defective and the defect has been identified to be on account of faulty material or workmanship and not due to improper usage.

TERMS AND CONDITIONS OF WARRANTY

1. The Warranty is valid only in India.
2. This Warranty is applicable to the first purchaser of the Product. Further, the Warranty is applicable only if a defect has been identified to be on account of faulty material or workmanship and not due to improper usage.
3. The Company or its Authorised Service Franchisee alone can install / re-install, service / repair the Product.
4. The service / repair under the Warranty will be provided within Municipal Limits of the town where the Company's Branch Offices or the Authorised Service Franchisees are located.
5. If a Product that is installed beyond the Municipal Limits of the Company's Branch / Authorised Service Franchisee locations requires service / repair, then customer has to bear and pay for all expenses of Service personnel in connection with to & fro travel expenses (from the location of the Branches / Authorised Service Franchisees to customer's location and back) and other incidental expenses including transportation expenses of the Product / Spare parts / Components, at the rates prevailing.
6. The customer must inform the Company or its Authorised Service Franchisee of any change of location (whether within the City or to another City) of the Product at least one week prior to such change of location. Failure on the part of the customer to do so, will absolve the Company from the obligations under this Warranty.
7. The Product has to be inspected by the Company or its Authorised Service Franchisee prior to shifting of location as well as before using the Product at the new location. The inspection fee levied by the Company or its Authorised Service Franchisee and cost of rectification of any damage in transit detected during the inspection shall be borne and paid by the customer. The Warranty shall continue to be in force for the remaining period if at the time of restarting / reinstalling the Product it is found to be in working order by the Company or its Authorised Service Franchisee. In case of any damage to product during shifting, the Warranty would cease to be effective.
8. The Company will make every effort to carry out repairs / replacement of parts / components under this Warranty expeditiously. In the event of any delay in service due to lack / non-availability of spare parts / component the Company shall not be liable for any consequential damages.
9. The Warranty shall automatically terminate on the expiry of Warranty Period specified in the Warranty Card, even if the Product may not have been in use for any time during the Warranty Period, for any reason whatsoever.
10. In the event of repairs / replacements of any parts of the Product this Warranty will thereafter continue and remain in force only for the unexpired Period of the Warranty. Moreover the time taken for repair/replacement and in transit whether under the Warranty or otherwise shall not be excluded from the Warranty Period.
11. This Warranty will continue to be in force for the terms specified above irrespective of what replacements may be provided under it and such replacements shall not attract any fresh period of Warranty, beyond the Period specified in the Warranty Card.
12. It is entirely left to the Company's discretion to effect repairs / replacements of parts or components at the site of installation or at the Service Centre of its Branches or Authorised Service Franchisees or at its Head Quarters at Mumbai.
13. The Company or its Authorised Service Franchisees reserve their right to retain any spare parts or components replaced on account of any defect noticed in the Product, during the Warranty Period.
14. This Warranty does not cover any excise duty, central or state sales tax and octroi or any other local taxes payable on the spare parts / sealed system parts / components which the Company may supply or repair free of cost during Warranty Period. The Warranty does not cover the cost of packing, to & fro freight charges, delivery and transportation charges on the spare parts / components sent to the Company's Head Quarters or the location of the Authorised Service Franchisee or its Branches.
15. In no event shall the Company or its Authorised Service Franchisees be liable for special or consequential damages or resulting liability, damage or loss arising directly or indirectly for any delay in the performance of this Warranty, due to causes beyond their control.
16. This Warranty does not cover corrosion, accessories including turn table, glassware, roller base and aesthetic design parts / components.
17. This warranty shall not in any case extend towards payment of any monetary consideration whatsoever.
18. The Company's employees or its Authorised Service Franchisee / Dealers do not have any authority either to extend the Warranty Period and / or to vary the terms of this Warranty.
19. The Warranty is affected in Mumbai and claims if any shall be made only before the competent Courts having jurisdiction in Mumbai. No claims whatsoever shall be made against the Company outside Mumbai, notwithstanding that the Product may have been sold or delivered or any stipulation or commitment in respect thereof may have been made elsewhere.

THIS WARRANTY IS NOT VALID IN CASE OF ANY OF THE FOLLOWING EVENTS:

- a. The Warranty Card is not completed in all respects including duly sealed and signed by the Dealer, at the time of purchase of the product.
- b. The Product is used for Non-Domestic purpose.
- c. The Product is not used according to the instructions given in the User's Manual.
- d. Defects / damages are caused by improper / reckless / negligent / careless use.
- e. Repair / service work is carried out by persons other than those Authorised by the Company.
- f. The original serial number of the Product is modified, deleted, defaced or altered.
- g. Any alterations are made in the electrical circuit or parts / components either by way of adjustments, addition, removal, alteration by the customer and / or any unauthorised person/s.
- h. If the Product is attacked by household pests, abnormal voltage, flood, fire, burning objects kept on top of or near the product or other natural calamities or act of God.
- i. The failure of the product due to electric short circuit or fluctuations in electrical supply outside the rated range.

The Warranty is given in lieu of all other conditions expressed or implied by Law or by any person/s purporting to act on behalf of the Company and excludes every conditions not herein expressly set out.

Caution :- PLEASE DO NOT ALLOW UNAUTHORISED PERSONS TO TRY TO REPAIR YOUR WATER HEATER.



WARRANTY CARD



THIS CARD IS VALID ONLY IF IT IS FILLED IN COMPLETELY, SIGNED AND STAMPED BY THE DEALER ON THE DATE OF PURCHASE

MODEL NO : _____ SERIAL NO : _____

CUSTOMER'S NAME : _____

ADDRESS : _____

PHONE NO. RESIDENCE : _____ OFFICE : _____

DATE OF PURCHASE & BILL NO. _____

CUSTOMER'S SIGNATURE: _____

LIST OF SERVICE CENTRES

AGRA	Sai Electronics, 25/113, Gandhi Nagar, Agra - 282 003 Ph: 562-3297005 Mob: 9927722217
AHMEDABAD	Shop No. L-8. Sonal Complex, NR, Preena Towers, Opp. Sanjivini Hospital, Vastrapur Lake, Vastrapur Ahmadabad - 380 015 Ph: 079-30179212 Mob: 9979851940
AHMEDNAGAR	Om Electricals. Bhutkarwadi, Savedi Road, Ahmednagar - 414003 Mob: 9822449668
ALLAHABAD	Global Services, 19, Panna Lal Road, Near Raj Nursing Home, Behind Company Garden, Allahabad (U P) Ph: 0532-6450491 Mob: 09415308723/09307025794
ALWAR	Priya Electronics, Shanti Niketan Building, Kashi Ram Choraha, Swarg Road, Alwar - 301001 Mob: 09352206928
AMBALA	Telecare, Old. Hospital Road, Bara Thakur Dwara, Opp. Polytechnic, Ambala City - 134 003 Ph: 0171-2556432 Mob: 93153 15125
AMRAVATI	Shri Balaji Service, Narayan Nagar, Near Prashant Nagar Bridge, Amravati - 444604. Mob: 98230 33443
ANAND	Krishna Electronics, Kashidham Estate, Palak Road, Anand Mob: 9924272439
ASAANSOL	Yes Service, Mob: 9734504070
AURANGABAD	Emperor Services, Manik Arcade, Shop No. S-5, Opp Chobe Hospital, Chetna Nagar, Aurangabad 431 005 Ph: 0240-2350606 Mob: 93736 65556
BANGALORE	77.1, Eshwari Industrial Estate, Hulimavu Village, Bangalore Mob: 9880754393
BARODA	Krishna Services, 72-2, Vishwas Colony, Jetalpur Road, Alkapuri, Baroda - 390007 Ph: 0265-2313397 Mob: 9825754404
BELGAUM	Vigneshwar Service Network, # 111, 2nd Main, I St Cross Sadashiv Nagar Ph: 0831-2471371 Mob: 98866 28723
BHUBANESHWAR	Subhadra Electronics, Plot No : 765, Maharshi Road, Shahid Nagar, Bhubaneshwar- 751007. Ph: 0674-2547684 Mob: 98611 51529
BURDWAN	Cool Clean Spare Point 180, G T Road, Joramandir, Burdwan - 713101 Ph: 0342-2657052 Mob: 9232487777
CALICUT	Appolo Agencies, 5-3117, Delta Building, 673001 Ph: 0495-4010639 9349721972
CHENNAI	Jeeves Consumer Services Pvt Ltd, 54/1 Old 16/1, Raja Bathar Street, T Nagar, Chennai Ph: 044-43534241 Mob: 9894252627
COIMBATORE	V.K.Engineering, 108-A/92, West Ponnurangam Road, Ground Floor (Near Telephone Exchange), R.S.Puram, Coimbatore - 641002Ph: 0422 2541172, 2541173, 3253677 Mob: 98430 93367
CUTTACK	Subhadra Electronics, C/o Hi Tech Electronics, Biju Pattnaik Chhak, Tulasipur, Cuttack -753008 Ph: 0671- 6941070 Mob: 9776221235
DARJEELING	Abul Electronics, N.B. Singh Road, Darjeeling, West Bengal - 734101 Ph: 0354 2253102 Mob: 9434212300
DELHI	Jeeves Consumer Services Pvt Ltd, Municipal No R-53, First Floor, Shakarpur, Vikas Marg, Delhi -92 Ph: 011-22469856 Mob: 09873601702
DELHI 01	Cure Well Electronics Pvt Ltd, Mb-167A, Gali No : 4, Shakarpur, Near Agarwal Dharamsala, Delhi -91 Ph: 011-22443083, 22468313 Mob: 09312246401
DEOGHAR	J K Electronics, STN Road, Opp: Hotel Shivam Internatiol, Deoghar, Pin: 814112, Ph: Mob: 09835322046 Office 06432-22967
DHANBAD	Permlia Electronics, Hotel Royaltan Plaza Complex; Bank More; Katras Road; Dhanbad-826001 Ph: 0326-2300524 Mob: 09334352659
DURGAPUR	Yes Service, Hutton Road, 713301 Mob: 9734504070
FARIDABAD	Paramont Electronic Service , 5H-2, Nit, Faridabad - 121001 Ph: 0129-4031317/4033318 Mob: 9990093305
GURGAON	Swastik Care, 147, Dayand Complex, Dayanand Colony, Opp. Jay Cinema Chowk, Gurgaon 122 001. Ph: 0124-4202622 Mob: 98104 21849, 98103 40980
GUWAHATI	Multitrack, G.S Road, Ground Floor, Bora Service Station, Ululbari, Guwahati - 781007 Ph: 0361-2457296 Mob: 09864444684
GWALIOR	Alpha Electronics, 51, Vikas Nagar, Kherapati Road, Gwalior - 474003 Ph: 0751-4086922 Mob: 9826266922
HALDIA	Maya Electronics, Vill & Post Deulia Bazer, Purba Madnipur, Pin-721154 Mob: 9830388178, 03228-249000
HASSAN	Golden Eye Service, 145, 146, Northen Extention, Park Road, Hassan Ph: 08172-231176
HOWRAH	Time N Service, 37/38, Mohinath Porel Lane, Salkia, Howrah-711106 Ph: 033-65639720
HUBLI	Armaan Electronics, Sadar Sofa, Old Hubli - 560024 Mob: 96886875325
HYDERABAD 01	Jeeves Consumer Services Pvt Ltd, Room No 102, Mahaveer Chambers, Sairam Colony, West Maratpally, Secundarabad. Ph: 040-64591168 Mob: 09246339748
HYDERABAD 02	New Life, No.6-3-709/1/13/A, Exide Battery Lane, Beside R.K.Plaza, Panjagutta, Opp. Margadarshi Chit Fund, Hyderabad 500 082 Ph: 040 66771772 Mob 99496 62200
INDORE	Cool Home Refrigeration, LG-70, Trade Centre, 18, South Tukogunj, Indore- 452 001 Ph: 0731 4076404, Mob: 09826097211
JABALPUR	Standard Electronics, 855, Varma Compound, Behind Frontier Bajaj, Nagrath Chowlk, Jabalpur, 482701 Ph: 0761-4036167 Mob: 9424658209
JAIPUR	Simplex Medicare, LG-70, 1 St Floor, Shankar Marg, Above Hero Honda Showroom, Jaipur, Rajasthan, Pin - 302015 Ph: 0141- 2741111, 3208098 Mob: 09829068014
JALANDHAR	S P Electronics, 274 A, Street No-02. Main Street, Chaughti, Gurunanak Pura West, Jalandhar-144009 Mob: 9915483442
JALGAON	OM Refrigeration and Elec. 8 Opp.Manish Steel, Old Neri Naka, Jalgaon Ph: 02572232410 Mob: 9423940350
JAMSHEDPUR	S Vinayak Electronics. 335/A, Mani Road, Bhuiyadih, Lakrital, Po: Agrico, Jamshedpur, Pin-09. Mob: 09430735026/09709157443
KANPUR	Shubham Electronics, 192, Manohar Nagar, 208027 Mob: 9415132072

LIST OF SERVICE CENTRES

KASARGOD	Speed Care, Kaban Shopping Arcade, Nayaks Road, Kasargod-671121 Ph: 04994224619
KHARAGPUR	Maya Electronics, Vill & Post Deulia Bazer, Purba Madnipur, Pin-721154 Ph: 03228-249000 Mob: 9830388178
KOLHAPUR	Multi Service, Shop No F-39, Trade Centre, Station Road, New Shahu Puri, Kolhapur 416 001. Ph: 0231 2653294 Mob: 98811 23570
KOLKATA 01	Southern Service., 6/14, Prince Anwarshah Road, Poddar Nagar, Kolkata - 700 068 Ph: 033-65488822 Mob: 09804867696
KOLKATA 02	Favorite Electronics Service Private Limited., P-84A, C I T Road, Scheme I V M, Beliaghata, Kolkata - 700 010 Ph: 033 65485689 Mob: 9831213043
KOLKATA 04	Baishanu Service Care, 55d, Adhyanath Saha Road, Laketown, N/L: Adhyanath School, Behind Jayacinama, Kolkata - 700048 Ph: 7278491145
KOTA	Saya Electronics 4-B, New Colony, Gumanpura, Behind Titan Showroom Kota - 324007 Ph: 0744-2392334 Mob: 9829036914
LUCKNOW	Swastik Customer Care Centre, A-1/3, Sec-H Aliganj, Lucknow- 226 020 Near Kendriya Bhawan. Ph: 0522-2762461/62 Mob: 94150 12347, 9839338636
LUDHIANA	Shiv Enterprises, 69, Street No. 9, New Sant Vihar, Rajan Estate, Haibowal Kalaan, Chur Pur Road, Ludhiana 141001 Ph: 0161-2620588 Mob: 09814046262
MANGALORE	Electronic Services Corporation, Opposite New Chitra Talkies, Near Pushpanjali Hall, Alake Road, Mangalore - 03. Ph: 0824 2496046, 2494234 Mob: 9845362161
MATHURA	Manan Electronics, Baldev Puri, Maholi Road, Mathura Ph: 0565-3295732
MEERUT	Indian Service Network, 120/7, Shastri Nagar Garh Road, Meerut 250002 Ph: 0121 3294595, 4005839 Mob: 93584 07051, 9358607051, 93584 07185, 93192 66432
MUMBAI	Jeeves Consumer Services Pvt Ltd, Shop No-12, Sunita Anand Palce, Near Pipeline, Balrajeshwar Road, Mulund-West - 400080 Ph: 022-65288593 Mob: 09892672583
MYSORE	V-Tech Services, 901/3d, NK URS Road, Mysore-57009 Ph: 03241094323
NADIA 01	Service Pluss, 9/154, Kalyani, Nadia, N/L Kalyani Rail Stn, Pin-741235, Ph: 28760483 Mob: 09433768494
NAGPUR	Technic Services, Khare Building, Hanuman Lane, Sitabulidi, Nagpur 440 012 Mob: 9373102179, 9096022122
NANDED	P G Electronics, Shop No-04, Mata Guruji Complex, Hingoli Gate Road, Nanded-431602 Ph: 0246-2230273
NASIK	Digital Services, Shop No.6, Vishuprasad Apartment, Sadhu Vaswani Road, Kulkarni Colony, Nasik - 422 002 Ph: 0253 2319532 Mob: 9890639084
PALAKKAD	3D, Customer Care Centre, 13/480, Edyayer Street, Mankava Ph: 0491-2535794 9388888245
PANIPAT	Alfa Service, Shop No.1, 125, Sukhdev Nagar, Panipat 132 103. Haryana. Ph: 0180-4006044 Mob: 98130 72804
PATNA	Kool Craft, 130-E, S.K. Puri, Boring Road, Patna-800001. Ph: 0612-3298766 9835236787
PUNE 01	Jeeves Consumer Services Pvt Ltd. 337, Sai Leela, Datta Wadi Mhasoba Chowlk, Pune-30 Ph: 020- 24322679 Mob: 9689924582
PUNE 02	Cool Comfort, Flat No- 239, Building No-16, OM Co-Op Soc, Near Datta Mandir, LBS Road, Pune-30 Mob: 9011052190/9503850591
RAIPUR	BK Electroscan, FCI Colony, Sriram Nagar, Phase-2, Raipur Chattisgadh Mob: 9826127423
RAJKOT	Rajkot Services, Krishna Con-Arch-2, Shop No. 17, Ground Floor, Godown Road Corner, Tagore Road, Rajkot Ph: 0281 2482845 Mob: 9825361546
RANCHI	Powerlux Enterprises, 173, Old AG Colony, Kadru Ranchi-834002 Ph: 0651-6455758
SANGLI	Padmanabh Electronics, Shop No-2/3, Yogiraj Apartment, 100 Ft Road, Vishram Baug, Sangli-416415 Ph: 0233 2301770 Mob: 9423829770
SILIGURI	North Point Services, 9, Balai Das Chatterji Road, Opposite Jack & Jill School, Near Bhutia Market, Siliguri-734001 Ph: 0353-2526028 Mob: 09932363313/9434057538
SURAT	Sadgurudev Electrocare Service, Shop No. L-4, Shakuntal Complex, B.S. Sanghvi Tower, Adajan Patia, Near Gujarat Gas Circle, Surat - 395009Ph: 0261 6540417 Mob: 98250 90417
THRISSUR	Tekwins Electronics, 1st Floor, Regency Building, West Fort, Thrissur 680 004 Ph: 0487 2388659 Mob: 98470 30594
TINSUKIA ASSAM	Maheshwar Electronics, Phukan Market, R.G Road, Opp: Women Collage, Tinsukia Assampin: 786125 Ph: 0374-2337453, Mob: 435035698/09207082762,
TIRPUR	SM Electronics, Vavila Complex, 641605 Mob: 9843079909
TRIVANDRUM	A V Digitals, Athira, T.C. 28/1235, Swara 71, Sree Chitra Gardens, Sreekantheswaram, Fort P.O, Thiruvananthapuram - 695023. Ph: 0471-6450101/2453553 Mob: 92494 10333/9249432807
UDAIPUR	Electro India, 7/1st Floor, Shri Mahalaxmi Aptment, Outside Surajpole, Udaipur-313001 Ph: 0294-5101921 Mob: 9214880177
UDUPI	Aman Electronics, Mahalasa Damodhar Towers, Kunjibettu, Udupi 576 102 Ph: 0820 2528770 Mob: 92423 61271
VAPI	Unique Services, Shop No 11/2, Asopalav Complex, Vapi-East, Gujrat-396191 Mob: 9909917471
VIJAYAWADA	Surya Services, 29-9-43, Govindarajulu Naidu Street, Suryarao Pet, Vijaywada-520002 Ph: 0866-6661855 Mob: 9985542855
VISHAKAPATNAM	Suja Consumer Services, D No.47-11-4, Dwarka Nagar, 1st Lane, Vishakhapatnam - 530 016 Ph: 0891-6464438 Mob: 9866771438
ZIRAKPUR	Jeeves Consumer Services Pvt Ltd, SCF-4 Basement, The High Land Society, Nav, Baltana, Zirakpur, Dist., Mohali - 140603. Punjab Mob: 09466621991

PACKING LIST

NO.	Name	Unit (Piece)
1	Electric Water Heater	1
2	Operation Handbook	1
3	Inflation Bolt	2
4	Security Valve	1

KORYÔ



All India Service Network
☎ 1800-425-7722 / 080 - 26577722
✉ feedback@koryoworld.com

Imported & Marketed by:
Future Value Retail Limited
Tower C, 8th Floor, 247 Park, L.B.S. Marg,
Vikhroli (West), Mumbai - 400 083,
Maharashtra, India.