

TIMKEN



MAINTENANCE TOOLS

Equipping you to install, remove and service bearings, gears, wheels and other industrial and automotive parts.

Less Friction.
More **Solutions**

CONTENTS:

User Safety Instructions	3
Induction Heaters	4
Impact Fitting Tool	14
Hydraulic Pullers	16

Less Friction. More Solutions.

With more than 100 years of *experience* in bearing technology, Timken understands the importance of proper maintenance procedures in *maximizing product and equipment life*. High-quality Timken maintenance products help to decrease downtime and operating costs.

Our line of maintenance tools are an example of how we extend *beyond bearings* with friction management solutions to keep your business running smoothly. These value-added products are grounded in our knowledge of motion, lubrication, friction and metallurgy. They are designed to help you *extend bearing life* in your applications through proper installation, removal and service.

For more than 100 years, Timken has provided quality products to the industrial marketplace. Our maintenance tools are made to the same *standards you've come to expect* from Timken® bearings. Our field support team is available to help you use these tools appropriately, as well as identify other Timken solutions that may *boost your productivity* and *save you money*.

Through our products, programs and services, we're providing less friction and more solutions to help you *achieve greater success*.

For more information, contact your local Timken distributor or sales representative.



USER SAFETY INSTRUCTIONS

WARNING:

Proper maintenance and handling practices are critical. Failure to follow user manual can result in equipment failure, creating a risk of serious bodily harm.

Hydraulic Puller Warning

- Check condition of puller before use.
- If there are indications of wear and tear such as ground-down parts, overloaded parts, or worn-out parts exchange them with new parts.
- Do not use a hammer when operating spindle.
- If any indications of overload, stiff working, etc., occur during pulling, please stop the procedure at once. Try to use a larger or different type of puller if necessary.
- For proper puller engagement, the jaws/legs should be centered.
- When pulling, make sure puller and pulled part are kept covered by the safety blanket provided.
- When operating the puller, please wear protective clothing, including safety shoes, protective glasses, gloves and helmet.
- Spindle and puller body should always be kept clean and oiled.

Induction Heater Warning



DO NOT WEAR METAL OBJECTS OR WATCHES.



USE HEAT-PROTECTIVE GLOVES.



PROHIBITED FOR PEOPLE WITH A PACEMAKER AND/OR HEARING AID.



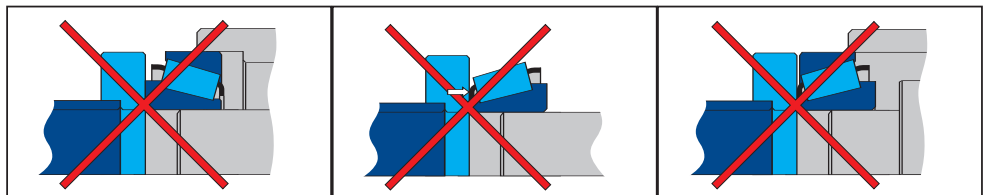
READ THE INSTRUCTIONS.



CAUTION

Impact Fitting Tool Warning

- When operating the impact fitting tool, please wear protective clothing, including safety shoes, protective glasses, gloves and helmet.
- Do not use the collets to mount components that have temperatures greater than 80° C (176° F).
- Never mount the cup and cone of a tapered bearing together or mount a cone from the front face.



INDUCTION HEATERS

Timken offers a large assortment of high-quality induction heaters designed for demanding industrial applications. They can heat and radially expand a wide variety of gears, rings, couplings, bearings and other components.

All heaters are produced in accordance with International (IEC) and European (CE) health and safety requirements. They feature a microprocessor-controlled power supply, automated time and temperature control and automatic demagnetization.



WHY CHOOSE AN INDUCTION HEATER?

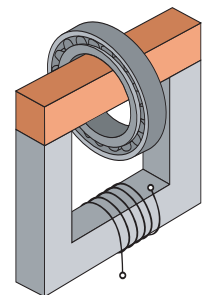
Induction heating is a superior, fast and controlled heating method. It is a safer and more environmentally friendly alternative to traditional heating methods such as ovens, oil baths or blow torches. These methods cause fumes or oil waste and are not recommended for personal health and safety.

Timken induction heaters use the principle of induction, similar to a transformer. The heater and yokes remain cool; only the work piece is heated. During the induction heating cycle, a certain degree of magnetism occurs. All Timken heaters demagnetize automatically after each heating cycle.

VERSATILITY, SAFETY AND QUALITY

Timken induction heaters can be used for heating gear wheels, bushings, couplings and other components. Proper mounting may lengthen the life span of your equipment, and controlled induction heating helps to prevent unnecessary damage.

Digital electronics provide optimum control during the heating process and automatically select the most efficient power supply to help ensure balanced and fast heating.



VHIN 10 Model

Portable design, easy to use, ideal for on-site jobs.
Includes four yokes.

Min. Bore 15 mm (0.6")
Max. O.D. 210 mm (8.3")
Max. Width 120 mm (4.8")
Max. Weight 15 kg (33 lbs.)

PART NUMBER AVAILABLE:

VHIN 101US 120V, Yoke set: 10/14/20/40



VHIN 35 Model

Basic model with choice of four yokes. Picture at right shows optional vertical support arm.

Min. Bore 15 mm (0.6")
Max. O.D. 480 mm (18.9")
Max. Width 150 mm (5.9")
Max. Weight 35 kg (77 lbs.)
Heats parts in horizontal and vertical positions.

PART NUMBER AVAILABLE:

VHIN 351US 120V, Yoke set: 10/20/40/60, Horizontal Support



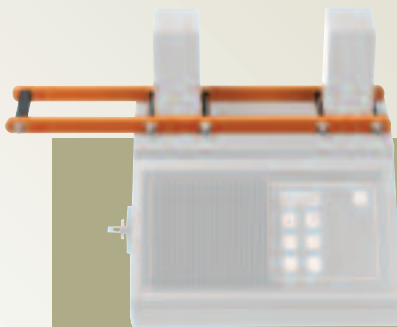
VHIS 35 Model

This bench-top model features a unique swing arm for ergonomic working.

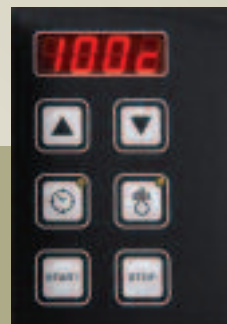
Min. Bore 15 mm (0.6")
Max. O.D. 480 mm (18.9")
Max. Width 150 mm (5.9")
Max. Weight 35 kg (77 lbs.)

PART NUMBER AVAILABLE:

VHIS 353US 120V, Yoke set and carrier: 10/14/20/30/40/50/60, Horizontal Support



Support for VHIS 35 for heating in vertical position included with the VHIS 353US.



All digital controls operate by time or temperature in degrees Celsius or Fahrenheit.

NEW HEATER MODELS: TURBO DESIGN

Powerful turbo design for demanding industrial applications.

Maximize capacity both in terms of work-piece size and heating capability.

Plug & Heat design, our 120V model arrives ready to go, equipped with molded plug.

Efficient heating – All Timken heaters automatically select the most efficient power reduction to ensure optimal and balanced heating.



VHIS 75 Model

Plug & Heat turbo swing arm model.

- Min. Bore 15 mm (0.6")
- Max. O.D. 750 mm (29.5")
- Max. Width 230 mm (9.1")
- Max. Weight 95 kg (209.4 lb)



PART NUMBER AVAILABLE:

VHIS 754US 120V, Yoke set and carrier: 10/14/20/30/40/50/60, Horizontal Support

HEATING EXAMPLES: 20° C – 110° C (68° F – 230° F)

Voltage	Work Piece	Weight	O.D.	Bore	Time to Heat
120V	6314	2.6 kg (5.7 lbs.)	150 mm (5.9")	70 mm (2.8")	1.5 minutes



Yoke Set



VHIS 100 Model

Large capacity bench-top model with swing arm.

Min. Bore 30 mm (1.2")
Max. O.D. 720 mm (28.3")
Max. Width 200 mm (7.9")
Max. Weight 125 kg (275 lbs.)

PART NUMBER AVAILABLE:

VHIS 1011US 500V, Yoke set: 20/30/40/50/70



VHIS 200 Model

Mobile heavy-duty heater with unique swing arm.

Min. Bore 30 mm (1.2")
Max. O.D. 1020 mm (40.2")
Max. Width 265 mm (10.4")
Max. Weight 250 kg (551 lbs.)

PART NUMBER AVAILABLE:

VHIS 2007US 500V, Yoke set: 20/30/40/60/80



VHIS 300 Model

Mobile heavy-duty heater with unique swing arm.

Min. Bore 30 mm (1.2")
Max. O.D. 1020 mm (40.2")
Max. Width 265 mm (10.4")
Max. Weight 350 kg (772 lbs.)

PART NUMBER AVAILABLE:

VHIS 3005US 500V, Yoke set: 20/30/40/60/80



Revolving operating panel on VHIS 200 and VHIS 300 models.

VHIS 400 Models Turbo Design

Mobile extra-powerful heater with unique swing arm.

Min. Bore 60 mm (2.4")
 Max. O.D. 920 mm (36.2")
 Max. Width 350 mm (13.8")
 Max. Weight 550 kg (1,212 lbs.)

PART NUMBER AVAILABLE:

VHIS 4003US 500V, Yoke set: 40/60/80



Sliding support for VHIS 400 for heating in vertical position.

HEATING EXAMPLES: 20° C – 110° C (68° F – 230° F)

Work piece	Weight	O.D.	Bore	Time to Heat
Bearing 23156	95.8 kg (211 lbs.)	460 mm (18.1")	280 mm (11.0")	4.0 minutes
Gear wheel	300 kg (661 lbs.)	600 mm (23.6")	210 mm (8.3")	3.0 minutes



TEMPERATURE PROBE:

Each Timken induction heater model is supplied with a magnetic temperature probe. A clamp also is available for nonferrous components. Replacement probes, part number VHIA 100001, can be purchased separately.

VHIN 550 Models

Powerful heater for exceptionally heavy components up to 600 kg (1,322 lbs.). Popular in workshops within steel mills, paper mills and gear box manufacturing. Heats parts in horizontal and vertical positions.

Min. Bore 85 mm (3.4")
Max. O.D. 900 mm (35.4")
Max. Width 400 mm (15.8")
Max. Weight 600 kg (1,322 lbs.)

PART NUMBER AVAILABLE:

VHIN 5504US 500V, 150 Yoke and Flash Alarm



VHIN 800 Models

Powerful heater for exceptionally heavy components up to 1,250 kg (2,750 lbs.). Popular in workshops within steel, rail, wind, paper and gear box operations. Heats parts in horizontal and vertical positions.

Min. Bore 85 mm (3.4")
Max. O.D. 1400 mm (55.1")
Max. Width 420 mm (16.5")
Max. Weight 1250 kg (2,750 lbs.)

PART NUMBER AVAILABLE:

VHIN 8004US 500V, 150 Yoke and Flash Alarm



VHIN 900 Models

Custom size and capacity design. Powerful heater for exceptionally heavy components up to 11,000 kg (24,251 lbs.).

Min. Bore 145 mm (5.7")
Max. O.D. 2500 mm (98.4")
Max. Width 700 mm (27.6")

For part numbers and custom configurations, contact your Timken sales representative.



Contact your local Timken sales representative for assistance in building a custom solution for extremely large heaters.

TIMKEN INDUCTION HEATERS TECHNICAL DATA:

Type	VHIN 10	VHIN 35	VHIS 35	VHIS 75
ELECTRICITY				
Power Rating	3.6 k VA	3.6 kVA	3.6 kVA	3.6 kVA
Voltage/Current	120V/20A	120/20A	120/20A	120V/15A
Different Voltage Option	—	—	—	—
Frequency	50/60 Hz	50/60Hz	50/60Hz	50/60Hz
Swing Arm	No	No	Yes	Yes
Plug	Yes	Yes	Yes	Yes
WORK PIECE				
Max. Weight				
- Bearings	15 kg (33.1 lbs.)	35 kg (77.2 lbs.)	35 kg (77.2 lbs.)	95 kg (209.4 lbs.)
- Other Parts	10 kg (22.1 lbs.)	20 kg (44.1 lbs.)	20 kg (44.1 lbs.)	50 kg (110.2 lbs.)
Min. Bore Diameter	15 mm (0.6")	15 mm (0.6")	15 mm (0.6")	15 mm (0.6")
Max O.D.	210 mm (8.3")	340/480 mm	340/480 mm	520/750 mm
Vertical/Horizontal		(13.39"/18.9")	(13.4"/18.9")	(20.5"/29.5")
Max. Work Piece Width	120 mm (4.8")	150 mm (5.9")	150 mm (5.9")	230 mm (9.1")
POLE DIMENSIONS				
Area between the poles	120 x 130 mm	150 x 140 mm	150 x 140 mm	200 x 230 mm
Width x Height	(4.8" x 5.1")	(5.9" x 5.5")	(5.9" x 5.5")	(7.9" x 9.1")
Pole Section	40 mm (1.6")	60 mm (2.4")	60 mm (2.4")	120/60 mm (2.4"/4.7")
Pole Height	130 mm (5.1")	140 mm (5.5")	140 mm (5.5")	230 mm (9.1")
CONTROLS				
Temperature Control				
Max. Temp	150° C (302° F)	240° C (464° F)	240° C (464° F)	240° C (464° F)
Time Control				
Max. Time	0 – 30 Min.	0 – 45 Min.	0 – 45 Min.	0 – 45 Min.
Auto Power Reduction	—	—	—	Automatically
DIMENSIONS				
Dimensions	435 x 225 x 275 mm (17.1" x 8.9" x 10.8")	340 x 290 x 310 mm (13.4" x 11.4" x 12.2")	340 x 290 x 380 mm (13.4" x 11.4" x 15.0")	440 x 370 x 360 mm (17.3" x 14.6" x 14.2")
Package Size	500 x 250 x 350 mm (19.7" x 9.8" x 13.8")	600 x 450 x 600 mm (23.6" x 17.7" x 23.6")	600 x 450 x 600 mm (23.6" x 17.7" x 23.6")	700 x 500 x 700 mm (27.6" x 19.7" x 27.6")
Mass Heater Body (excludes yokes)	21 kg (46.3 lbs.) (includes yokes)	29 kg (63.9 lbs.)	31 kg (68.3 lbs.)	38 kg (83.8 lbs.)

VHIS 100	VHIS 200	VHIS 300	VHIS 400	VHIN 550	VHIN 800
8 kVA	12 kVA	24 kVA	12 kVA	24 kVA	40 kVA
500V	500V	500V	500V	500V	500V
20A	32A	63A	32A	63A	100A
230V	—	230V	—	—	—
50/60Hz	50/60Hz	50/60Hz	50/60Hz	50/60Hz	50/60Hz
Yes	Yes	Yes	Yes	No	No
—	—	—	—	—	—
125 kg (275.6 lbs.)	250 kg (551.2 lbs.)	350 kg (771.6 lbs.)	550 kg (1,212.5 lbs.)	600 kg (1,322.8 lbs.)	1250 kg (2,750 lbs.)
75 kg (165.4 lbs.)	150 kg (330.7 lbs.)	250 kg (551.2 lbs.)	450 kg (992.1 lbs.)	350 kg (771.6 lbs.)	750 kg (1,653.5 lbs.)
30 mm (1.2")	30 mm (1.2")	30 mm (1.2")	60 mm (2.4")	85 mm (3.4")	85 mm (3.4")
480/720 mm (18.9"/28.3")	700/1020 mm (27.6"/40.2")	700/1020 mm (27.6"/40.2")	920 mm (36.2")	900 mm (35.4")	1400 mm (55.1")
200 mm (7.9")	265 mm (10.4")	265 mm (10.4")	350 mm (13.8")	400 mm (15.8")	420 mm (16.5")
200 x 180 mm (7.9" x 7.1")	265 x 310 mm (10.4" x 12.2")	265 x 320 mm (10.4" x 12.6")	350 x 305 mm (13.8" x 12.0")	390 x 400 mm (15.4" x 15.8")	660 x 420 mm (26.0" x 16.5")
70 mm (2.8")	80 mm (3.2")	110 x 80 mm (4.3" x 3.2")	170/110 x 80 mm (6.7"/4.3" x 3.2")	100 mm (3.9")	150 mm (5.9")
210 mm (8.3")	310 mm (12.2")	320 mm (12.60")	305 mm (12.0")	390 mm (15.4")	660 mm (26.0")
240° C (464° F)	240° C (464° F)	240° C (464° F)	240° C (464° F)	240° C (464° F)	240° C (464° F)
0 – 60 Min.	0 – 99 Min.	0 – 99 Min.	0 – 99 Min.	0 – 99 Min.	0 – 99 Min.
Automatically	Automatically	Automatically	Automatically	Automatically	Automatically
630 x 365 x 470 mm (24.8" x 14.4" x 18.5")	950 x 640 x 1000 mm (37.4" x 25.2" x 39.4")	950 x 640 x 1000 mm (37.4" x 25.2" x 39.4")	1200 x 640 x 1000 mm (47.2" x 25.2" x 39.4")	1000 x 500 x 1350 mm (39.4" x 19.7" x 53.2")	1500 x 600 x 1470 mm (59.1" x 23.6" x 57.9")
700 x 500 x 700 mm (27.6" x 19.7" x 27.6")	1140 x 750 x 1000 mm (44.9" x 29.5" x 39.4")	1140 x 750 x 1000 mm (44.9" x 29.5" x 39.4")	1250 x 750 x 1000 mm (49.2" x 29.5" x 39.4")	1400 x 700 x 1600 mm (55.1" x 27.6" x 63.0")	1920 x 950 x 1720 mm (75.6" x 37.4" x 67.7")
53 kg (116.8 lbs.)	120 kg (264.55 lbs.)	175 kg (385.8 lbs.)	205 kg (452.0 lbs.)	200 kg (440.9 lbs.)	660 kg (1,455.1 lbs.)

CHOOSE YOUR HEATER

Induction Heater Selection Guide

The size and weight of your product will help determine which heater is right for your equipment. Please note that there is an overlap between models and that the model color on the left corresponds with the colors in the chart. The larger models offer faster product heating.

SELECTION GUIDE USING WEIGHT AND O.D.

MODEL	O.D. Diameter	0 kg	15 kg	35 kg	95 kg	125 kg	250 kg	350 kg	550 kg	600 kg	1250 kg	11,000 kg
		(33 lbs.)	(77 lbs.)	(209 lbs.)	(275 lbs.)	(550 lbs.)	(770 lbs.)	(1,210 lbs.)	(1,320 lbs.)	(2,750 lbs.)	(24,250 lbs.)	
MODEL 900	2500 mm (97")											
MODEL 800	1400 mm (55")											
MODEL 550	1020 mm (40")											
MODEL 400	920 mm (36")											
MODEL 300	900 mm (35")											
MODEL 200	750 mm (29")											
MODEL 100	720 mm (28")											
MODELS 75	480 mm (19")											
MODELS 35	210 mm (8")											
MODEL 10												

Weight

For maximum width see technical specifications on pages 10-11.



Order Example

You need a work piece to heat fast for production use. The work piece has an O.D. of nine inches and weighs 16 pounds. You work in the U.S. and need a standard 120V-style plug. Using the chart at left, Timken recommends the VHIS 75 model. The order number is VHIS 754US.



INCLUDED WITH ALL TIMKEN HEATER MODELS

ELECTRONICS	Digital display	Temperature
		Time
		Error Report
	Sound signal	Yes
	Temperature hold	Yes
	Demagnetizing, <2A/cm	Yes
MISCELLANEOUS	Thermal safety guard	Yes
	Magnetic temperature probe	Yes
	Yokes, different size	Yes (except 550, 800 and 900 models)
	Warranty, electronics	Three years
	400° F Heat-resistant gloves	Yes
	Instructions for proper use	Yes

IMPACT FITTING TOOL

Proper mounting is essential to ensure long bearing life. Designed to permit the safe, precise and quick mounting of bearings, bushings, sealing rings, cam wheels and pulleys, the Timken Impact Fitting Tool Set features impact-resistant plastic collets. These help deter metal-to-metal contact and the resulting shaft damage.

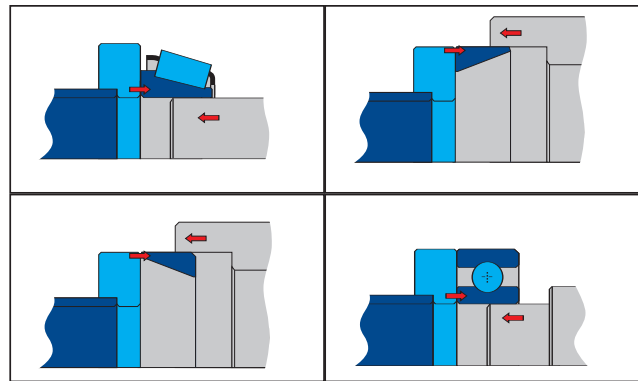
During the mounting of bearings where the faces lie in the same plane, the collets enable the load to be transmitted to the ring experiencing the interference fit. In this way, mounting forces are not transmitted via the rolling elements and damage to the raceways is avoided.

THIS METRIC MOUNTING SET CONSISTS OF:

- 33 Collets
- Three Sleeves
- One Impact Hammer: Mass 0.7 kg (1.5 lbs.)
- Case: 430 x 320 x 100 mm
(16.9" x 12.6" x 4.0")

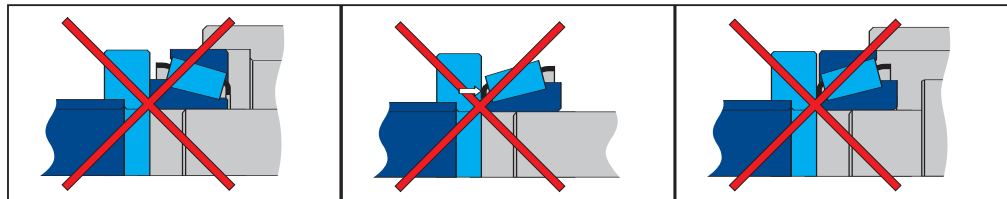


PART NUMBER VIFT 3300



▲ Proper mounting allows the load to be transmitted to the ring experiencing the interference fit. Mounting forces are not transmitted via the rolling elements, helping to prevent damage to the raceways.

▼ Care should be taken when mounting tapered roller bearings. The cup can be mounted in either direction, but the cone can only be mounted from the back face. This ensures that the cage does not overhang. Never mount a cup and cone together or mount a cone from the front face. This will avoid damage to the cage and raceways which could lead to catastrophic failure.



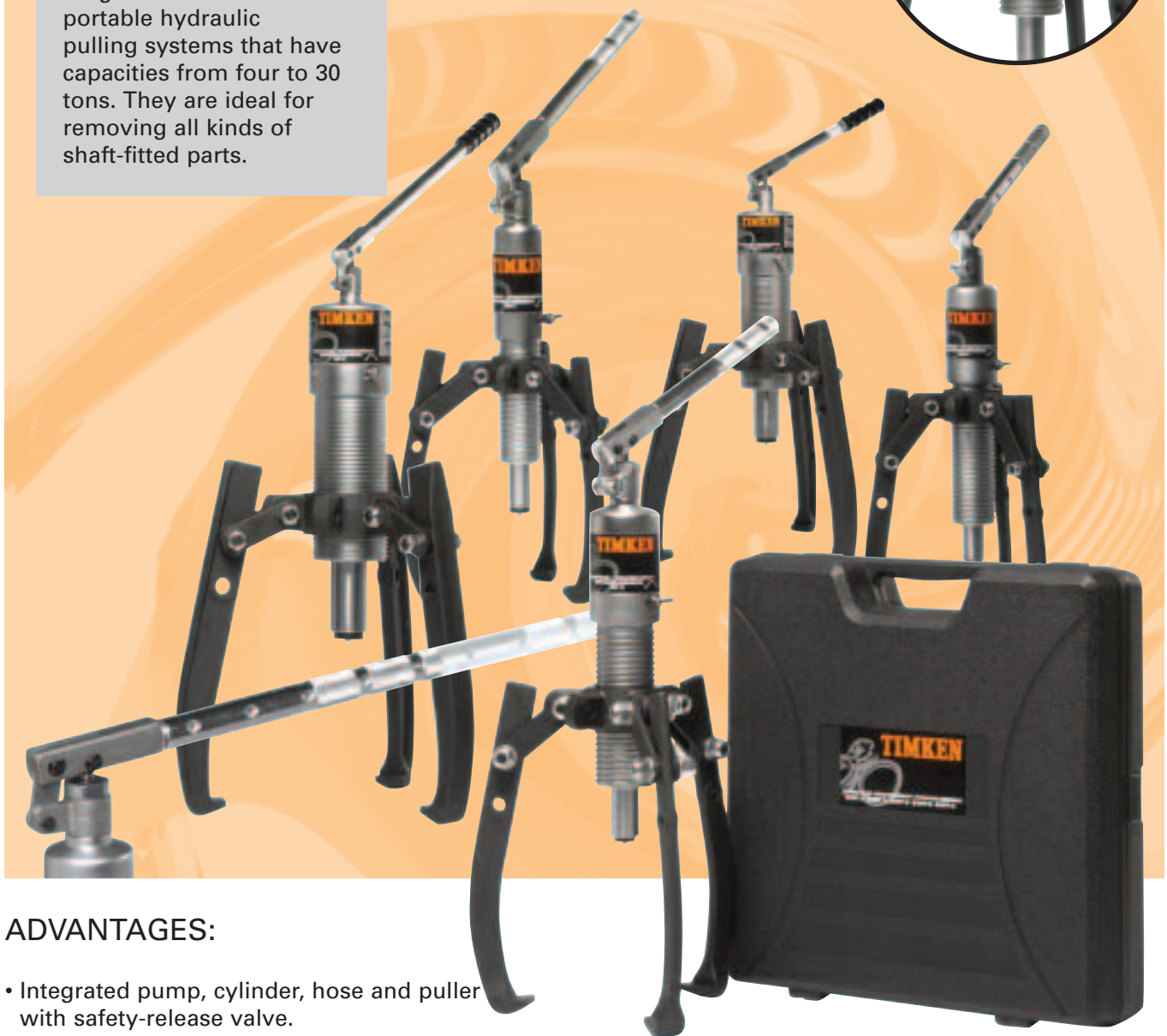
IMPACT FITTING TOOL SELECTION GUIDE

Sleeve	Ring	All ISO Bearings Codes Ending with:	60, 62, 63, 64	12, 22, 13, 23	70, 72B, 73B	32, 33	222, 213, 223	NU, NJ, N 2 3 4	302, 322, 303, 330	320, 313, 323, 332
A1	10-26	000	6000	129	7000					
	10-30	200	6200	1200		3200				
				2200						
	10-35	300	6300	1300	7300					
	12-28	001	6001							
	12-32	201	6201	1201		3201				
				2201						
	12-37	301	6301	1301	7301					
				2301						
	15-32	002	6002							
	15-35	202	6202	1202	7202B	3202				
				2202						
	15-42	302	6302	1302		3302			30302	
				2302						
	17-35	003	6003							
				16003						
	17-40	203	6203	1203	7203B	3203			30203	
			2203							
17-47	303	6303	1303	7303B	3303			30303	32303	
			2303							
B2	20-42	004	6004		7004					32004
	20-47	204	6204	1204	7204B	3204		204	30204	
				2204						
	20-52	304	6304	1304	7304B	3304	21304	304	30304	32304
		403	6403	2304						
	25-47	005	6005		7005					32005
	25-52	205	6205	1205	7205B	3205	22205	205	30205	33205
				2205				32205		
	25-62	305	6305	1305	7305B	3305	21305	305	30305	31305
		404	6404	2305						32305
	30-55	006	6006							32006
	30-62	206	6206	1206	7206B	3206	22206	206	30206	33206
				2206				32206		
30-72	306	6306	1306	7306B	3306	21306	306	30306	31306	
	405	6405	2206				405		32306	
C3	35-62	007	6007		7007					32007
	35-72	207	6207	1207	7207B	3207	22207	207	30207	33207
				2207				32207		
	35-80	307	6307	1307	7307B	3307	21307	307	30307	31307
		406	6406	2307				406		32307
	40-68	008	6006							32008
	40-80	208	6208	1208	7208B	3208	22208	208	30208	33208
								32208		
	40-90	308	6308	1308	7308B	3308	21308	308	30308	31308
		407	6407	2308			22308	407		32308
	45-75	009	6009							32009
	45-85	209	6209	1209	7209B	3209	22209	209	30209	33209
				2209				32209		
	45-100	309	6309	1309	7309B	3309	21309	309	30309	31309
		408	6408	2309			22309	408		32309
	50-80	010	6010							33010
	50-90	210	6210	1210	7210B	3210	22210	210	30210	33210
			2210				32210			
									JM205149/JM205110	
50-110	310	6310	1310	7310B	3310	21310	310	30310	31310	
	409	6409	2310			22310	409		32310	
Impact rings 50-90, 45-100, 50-110 also fit the following bearing where only the outer ring is to be fitted, e.g., shaft not installed:										
C3	50-90		6011							
			6012							
	45-100		6013	1211	7211B	3211	22211	211		
			6211	2211	7212B					
	50-110		6014	1212	7213B	3212	22212	212		
			6015	1213		3213	22213	213		
			6212	2213		3211	21311	311		
			6213	2213			22311	410		
			6311	1311						
		6410	2311							

For tapered bearings, impact rings fit outer ring and also inner ring if driving from larger-diameter side. The numbers on each impact ring (e.g., 25-62) are clearly marked on the ring. The first figure refers to shaft diameter, the second to bearing outer diameter.

HYDRAULIC PULLERS

Timken carries a wide range of self-contained portable hydraulic pulling systems that have capacities from four to 30 tons. They are ideal for removing all kinds of shaft-fitted parts.

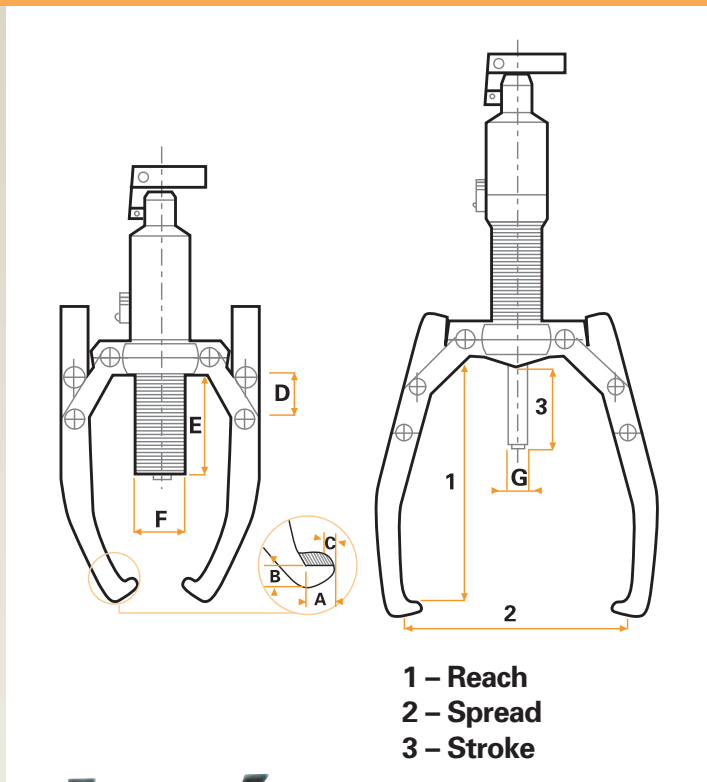


ADVANTAGES:

- Integrated pump, cylinder, hose and puller with safety-release valve.
- Compact design: The self-contained hydraulic pump and puller saves space.
- Sets are supplied in a handy carrying case.
- Multi-purpose: Ideal for pulling a wide variety of press-fit parts including bearings, wheels, bushings, gears and pulleys.
- The pump handle rotates 360-degrees, enabling users to pull from the most convenient position.
- Pullers can be used with two or three legs.
- Available with accessories.

Model	Max. Force	1	2	3	A	B	C	D	E	F	G	Weight
VHPT4	4 t	185 mm (7.3")	275 mm (10.8")	60 mm (2.4")	11 mm (0.4")	6 mm (0.2")	22 mm (0.9")	32 mm (1.3")	84 mm (3.3")	42 mm (1.7")	22 mm (0.9")	4.5 kg (9.9 lbs.)
VHPT6	6 t	230 mm (9.1")	300 mm (11.8")	85 mm (3.4")	11 mm (0.4")	10 mm (0.4")	25 mm (1.0")	51 mm (2.0")	122 mm (4.8")	50 mm (2.0")	25 mm (1.0")	6.5 kg (14.3 lbs.)
VHPT8	8 t	230 mm (9.1")	350 mm (13.8")	85 mm (3.4")	11 mm (0.4")	10 mm (0.4")	25 mm (1.0")	51 mm (2.0")	122 mm (4.8")	50 mm (2.0")	25 mm (1.0")	6.5 kg (14.3 lbs.)
VHPT12	12 t	270 mm (10.6")	375 mm (14.8")	85 mm (3.4")	14 mm (0.6")	10 mm (0.4")	29 mm (1.1")	51 mm (2.0")	118 mm (4.6")	60 mm (2.4")	28 mm (1.1")	8 kg (17.6 lbs.)
VHPT20	20 t	360 mm (14.2")	520 mm (20.5")	111 mm (4.4")	20 mm (0.8")	27 mm (1.1")	33 mm (1.3")	60 mm (2.4")	161 mm (6.3")	80 mm (3.2")	40 mm (1.6")	22 kg (48.5 lbs.)
VHPT30	30 t	360 mm (14.2")	550 mm (21.7")	111 mm (4.4")	20 mm (0.8")	27 mm (1.1")	38 mm (1.5")	60 mm (2.4")	155 mm (6.1")	98 mm (3.9")	50 mm (2.0")	32 kg (70.6 lbs.)

Model	Puller	Arm Length	Width of Grip	Min. O.D.	Max. O.D.	Weight
VHPT490	VHPT4	250 mm (9.8")	110 mm (4.3")	25 mm (1.0")	110 mm (4.3")	8.5 kg (18.7 lbs.)
VHPT690	VHPT6	280 mm (11.0")	220 mm (8.7")	50 mm (2.0")	150 mm (5.9")	12.5 kg (21.6 lbs.)
VHPT890	VHPT8	280 mm (11.0")	210 mm (8.3")	50 mm (2.0")	150 mm (5.9")	12.5 kg (21.6 lbs.)
VHPT1290	VHPT12	325 mm (12.8")	290 mm (11.4")	80 mm (3.2")	225 mm (8.9")	18 kg (39.7 lbs.)



ACCESSORIES SET
For use with up to and including 12 tons.

Puller shown with accessories (set supplied without pump).



Part Number Quick Reference Guide

To make your maintenance tool selection easier, we've included a part number quick reference guide.

MAINTENANCE TOOL PART LIST

Part Number	Key Words	Timken Description
INDUCTION HEATERS		
VHIN101US	Induction Heater	Portable Induction Heater (US, °F), 3.6kVA, 120V, 10/14/20/40 Yokes
VHIN351US	Induction Heater	Non-Swing Arm Induction Heater (US, °F), 3.6kVA, 120V, 10/20/40/60 Set & Horizontal Support
VHIS353US	Induction Heater	Swing Arm Induction Heater (US, °F), 3.6kVA, 120V, 10/14/20/30/40/50/60 Set & Carrier & Horizontal Support
VHIS754US	Induction Heater	Swing Arm Induction Heater (US, °F), 3.6kVA, 120V, 10/14/20/30/40/50/60 Set & Carrier & Horizontal Support
VHIS1011US	Induction Heater	Swing Arm Induction Heater (°F), 8kVA, 500V, 20/30/40/50/70 Yokes
VHIS2007US	Induction Heater	Swing Arm Induction Heater (°F), 12kVA, 500V, 20/30/40/60/80 Yokes
VHIS3005US	Induction Heater	Swing Arm Induction Heater (°F), 24kVA, 500V, 20/30/40/60/80 Yokes
VHIS4003US	Induction Heater	Swing Arm Induction Heater (°F), 12kVA, 500V, 40/60/80 Yokes
VHIN5504US	Induction Heater	Non-Swing Arm Induction Heater (°F), 24kVA, 500V, 100 Yoke & Flash Alarm
VHIN8004US	Induction Heater	Non-Swing Arm Induction Heater (°F), 40kVA, 500V, 150 Yoke & Flash Alarm
VHIN9003US	Induction Heater	Non-Swing Arm Induction Heater (°F), 40kVA, 500V, Custom
VHIA100001	Induction Heater	Temperature Probe

IMPACT FITTING TOOL

VIFT3300	Fitting Tool	Impact Fitting Tool Set
----------	--------------	-------------------------

HYDRAULIC PULLERS

VHPT4	Hydraulic Puller	Hydraulic Puller 4 ton, Reach 185 mm, Spread 275 mm
VHPT6	Hydraulic Puller	Hydraulic Puller 6 ton, Reach 230 mm, Spread 300 mm
VHPT8	Hydraulic Puller	Hydraulic Puller 8 ton, Reach 230 mm, Spread 350 mm
VHPT12	Hydraulic Puller	Hydraulic Puller 12 ton, Reach 270 mm, Spread 375 mm
VHPT20	Hydraulic Puller	Hydraulic Puller 20 ton, Reach 360 mm, Spread 520 mm
VHPT30	Hydraulic Puller	Hydraulic Puller 30 ton, Reach 360 mm, Spread 550 mm
VHPT490	Hydraulic Puller	Splitter Set 4 ton, Reach 250 mm, Spread Ø 25 mm - Ø 110 mm
VHPT690	Hydraulic Puller	Splitter Set 6 ton, Reach 280 mm, Spread Ø 50 mm - Ø 150 mm
VHPT890	Hydraulic Puller	Splitter Set 8 ton, Reach 280 mm, Spread Ø 50 mm - Ø 150 mm
VHPT1290	Hydraulic Puller	Splitter Set 12 ton, Reach 325 mm, Spread Ø 80 mm - Ø 225 mm

NOTES:

Friction Management Solutions

Industrial customers turn to Timken to provide comprehensive friction management solutions. Extending beyond bearings, these solutions include related parts and accessories, expert sales and service support, integrated logistics and a host of other programs to help keep your systems running efficiently. We help customers analyze performance and recommend solutions that make sense for their unique operating systems and conditions.

Less Friction.
More **Solutions**

First, the bearing. Then:

How do you monitor the health of your bearing?
You can use StatusCheck, handheld devices or Timken Reliability Services.

How do you plan to lubricate the bearing?
There are many advantages to using Timken lubricants.

Do you need a simplified method of lubricating bearings? *Use Timken G-Power and M-Power single-point lubricators.*

Do you plan to protect machinery from contamination?
There are many advantages to using Timken's line of industrial seals.

WARNING

Proper maintenance and handling practices are critical. Failure to follow user manual can result in equipment failure, creating a risk of serious bodily harm.

Timken® is the registered trademark of
The Timken Company.
www.timken.com

©2005 The Timken Company
Printed in USA
15M 05-05-07 Order No. 7710

TIMKEN
Where You Turn