

ICAM IAS-1

Product Guide

June 2014

Document Number: 16260_03

Part Number: 09-00111-10

Intellectual Property and Copyright

This document includes registered and unregistered trademarks. All trademarks displayed are the trademarks of their respective owners. Your use of this document does not constitute or create a licence or any other right to use the name and/or trademark and/or label.

This document is subject to copyright owned by Xtralis AG ("Xtralis"). You agree not to copy, communicate to the public, adapt, distribute, transfer, sell, modify or publish any contents of this document without the express prior written consent of Xtralis.

Disclaimer

The contents of this document is provided on an "as is" basis. No representation or warranty (either express or implied) is made as to the completeness, accuracy or reliability of the contents of this document. The manufacturer reserves the right to change designs or specifications without obligation and without further notice. Except as otherwise provided, all warranties, express or implied, including without limitation any implied warranties of merchantability and fitness for a particular purpose are expressly excluded.

General Warning

This product must only be installed, configured and used strictly in accordance with the General Terms and Conditions, User Manual and product documents available from Xtralis. All proper health and safety precautions must be taken during the installation, commissioning and maintenance of the product. The system should not be connected to a power source until all the components have been installed. Proper safety precautions must be taken during tests and maintenance of the products when these are still connected to the power source. Failure to do so or tampering with the electronics inside the products can result in an electric shock causing injury or death and may cause equipment damage. Xtralis is not responsible and cannot be held accountable for any liability that may arise due to improper use of the equipment and/or failure to take proper precautions. Only persons trained through an Xtralis accredited training course can install, test and maintain the system.

Liability

You agree to install, configure and use the products strictly in accordance with the User Manual and product documents available from Xtralis.

Xtralis is not liable to you or any other person for incidental, indirect, or consequential loss, expense or damages of any kind including without limitation, loss of business, loss of profits or loss of data arising out of your use of the products. Without limiting this general disclaimer the following specific warnings and disclaimers also apply:

Fitness for Purpose

You agree that you have been provided with a reasonable opportunity to appraise the products and have made your own independent assessment of the fitness or suitability of the products for your purpose. You acknowledge that you have not relied on any oral or written information, representation or advice given by or on behalf of Xtralis or its representatives.

Total Liability

To the fullest extent permitted by law that any limitation or exclusion cannot apply, the total liability of Xtralis in relation to the products is limited to:

- i. in the case of services, the cost of having the services supplied again; or
- ii. in the case of goods, the lowest cost of replacing the goods, acquiring equivalent goods or having the goods repaired.

Indemnification

You agree to fully indemnify and hold Xtralis harmless for any claim, cost, demand or damage (including legal costs on a full indemnity basis) incurred or which may be incurred arising from your use of the products.

Miscellaneous




If any provision outlined above is found to be invalid or unenforceable by a court of law, such invalidity or unenforceability will not affect the remainder which will continue in full force and effect. All rights not expressly granted are reserved.

Document Conventions

The following typographic conventions are used in this document:

Convention	Description
Bold	Used to denote: emphasis. Used for names of menus, menu options, toolbar buttons
<i>Italics</i>	Used to denote: references to other parts of this document or other documents. Used for the result of an action.

The following icons are used in this document:

Convention	Description
	Caution: This icon is used to indicate that there is a danger to equipment. The danger could be loss of data, physical damage, or permanent corruption of configuration details.
	Warning: This icon is used to indicate that there is a danger of electric shock. This may lead to death or permanent injury.
	Warning: This icon is used to indicate that there is a danger of inhaling dangerous substances. This may lead to death or permanent injury.

Contact Us

Europe, Middle East & Africa	+44 1442 242 330
D-A-CH	+49 431 23284 1
The Americas	+1 781 740 2223
Asia	+86 21 5240 0077
Australia and New Zealand	+61 3 9936 7000
www.xtralis.com	

Product Listings

- EN 54-20 (VdS) (Sensitivity Class dependant upon point detector used)
- CE Mark

Regional approvals listings and regulatory compliance vary between ICAM product models. Refer to www.xtralis.com for the latest product approvals matrix.

Document: 16260_03

Part Number: 09-00111-10

Table of Contents

1	Introduction	3
2	Detector Installation	5
2.1	Mounting the Detector Enclosure	6
2.2	Wiring	8
2.3	Point Detectors	10
3	Pipe Network Installation	17
3.1	Pipe Specification	17
3.2	Fixings	17
3.3	Sampling Holes	17
3.4	End Cap	18
3.5	Bends	18
3.6	Capillary Tubes	18
3.7	Exhaust	18
3.8	Filters	19
3.9	Open Area Applications	20
4	Configuration	21
4.1	Display Functions	21
4.2	User Interface	22
4.3	Parameters	23
5	Testing	25
5.1	Point Detectors	25
5.2	System	25
6	Maintenance	27
6.1	Air Inlet Filter Replacement Procedure	27
7	Troubleshooting	29
8	Specifications	31
8.1	Typical Supply Current & Fan Speed	31

This page is intentionally left blank.

1 Introduction

The ICAM IAS-1 system is an aspirating smoke detection system that utilizes an air-sampling pipe network to draw air towards conventional or analog addressable point detectors in a sealed enclosure.

The single channel IAS-1 detector enclosure (Figure 1-1) has one pipe inlet and provision for one or two point detectors allowing redundant or double-knock detection. The range of supported point detectors is detailed in Chapter 2.



Figure 1-1: ICAM IAS-1 Detector Enclosure

Point detectors are wired directly into the signaling circuit connected to the monitoring fire alarm control panel. Any alarms or faults derived from the analog or conventional point detector will be reported directly to monitoring fire panel through the signaling circuit for that detector.

The IAS-1 system provides a configurable aspiration system and airflow monitoring. Airflow status is displayed on a ten element bar graph with adjustments for flow sensitivity and high/low flow thresholds. Flow faults are indicated on the display interface LEDs and reported to the central panel via isolated volt-free contacts.

Important Note: Aspirating Smoke Detectors supplied and installed within the EU from June 2013 must conform to the EU Construction Products Regulation (305/2011/EU-CPR) and the related European Standard EN 54-20.

This unit has been tested and certified to ensure general conformance to the above directive and standard but strict adherence to this Product Guide is required to ensure that the installation meets these requirements in all respects.

An Approvals overlabel must be completed by the installer and applied to the unit at the time of fitting the point detectors. The label contains the approved CPR CE mark and sensitivity of the detectors being fitted and **MUST** be configured in conformance with this document for the installation to be in full conformance.

Full details of the labeling requirements together with a table of approved detectors and required sensitivity information are found in Chapter 2.

This page is intentionally left blank.

2 Detector Installation

The ICAM IAS-1 is provided with the following components:

- 1 detector enclosure
- 1 corner stud key
- 1 blanking baffle
- 1 ferrite core
- 1 mounting template
- 1 product guide
- Approvals overlabels

Check all components for damage and refer any concerns to your authorized representative.

It is necessary to procure the following additional items:

- Point detectors. Refer to Section 2.3.2 on page 10 for further information.
- Baffle for the selected point detector. Refer to Section 2.3.1 on page 10 for further information.
- Screws and inserts for fixing the unit in place at the installation location.

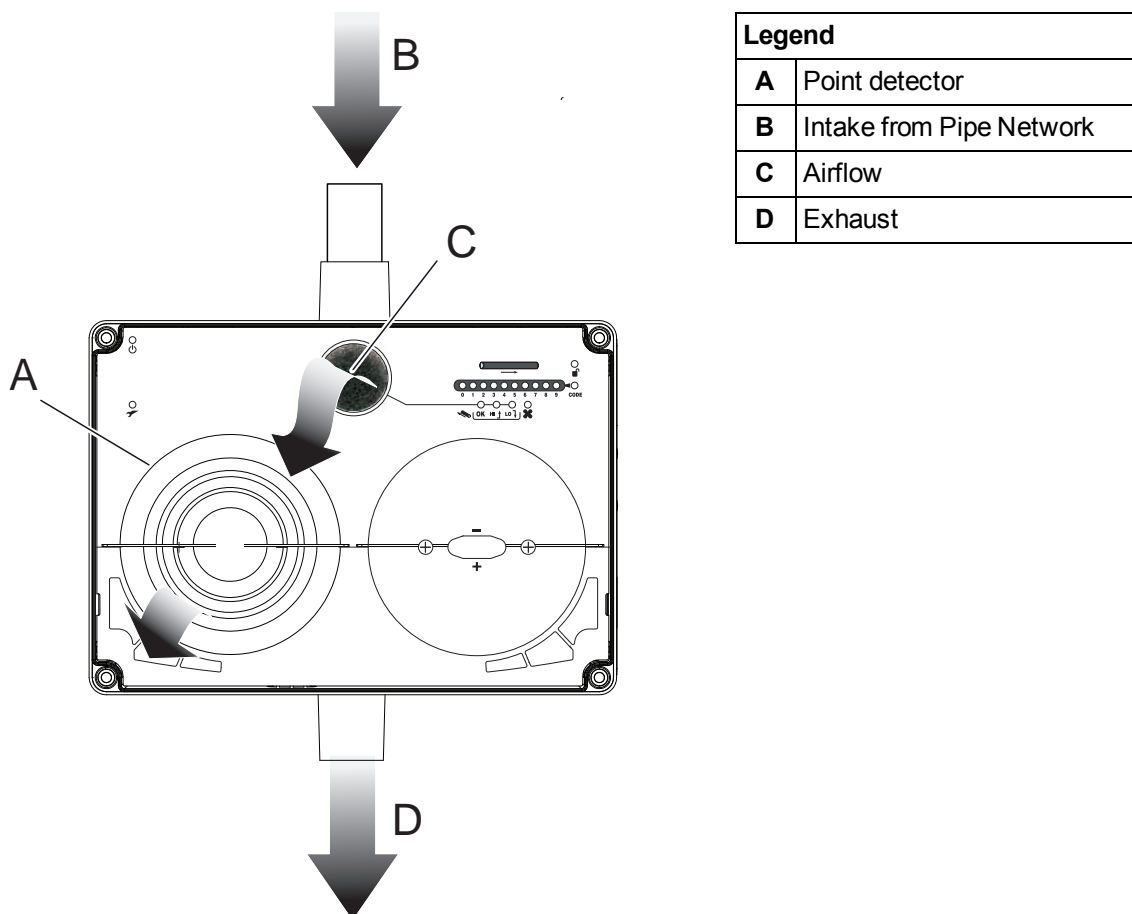


Figure 2-1: Detector Enclosure

2.1 Mounting the Detector Enclosure

Notes:

- This equipment must be installed by a qualified installer in accordance with all local and national code requirements.
- The detector assembly must be installed at an accessible position to facilitate maintenance and testing.
- Ensure that there is sufficient clearance to mount the detector, noting the location of air sampling pipes and cable entry points. Owing to the rigid nature of the plastic pipe, installation must provide for sufficient movement in all pipe work (air inlet, air exhaust and cable pipes) to allow pipe ends to be easily fitted and removed.
- Ensure that the exhaust pipe is free from any obstacles at all times.
- Do not mount the detector assembly close to a heat source.
- Mount the detector assembly in a secure location which is accessible only by authorised personnel.

Mounting Procedure:

1. Remove the transparent cover (D) by using the corner stud key (B) to unscrew the tamper-proof corner studs (A).
2. Tape the mounting template to the mounting surface and use it to accurately mark the holes corresponding to the four corner fixing points.
3. Drill four holes in the mounting surface.
4. Remove the mounting template.
5. Secure the detector enclosure to the mounting surface through the four corner fixing points. Use appropriate fasteners for the type of surface that the unit is mounted on. The diameter of each mounting hole is 5 mm. Typical No. 8 mounting hardware can be used in the mounting holes.

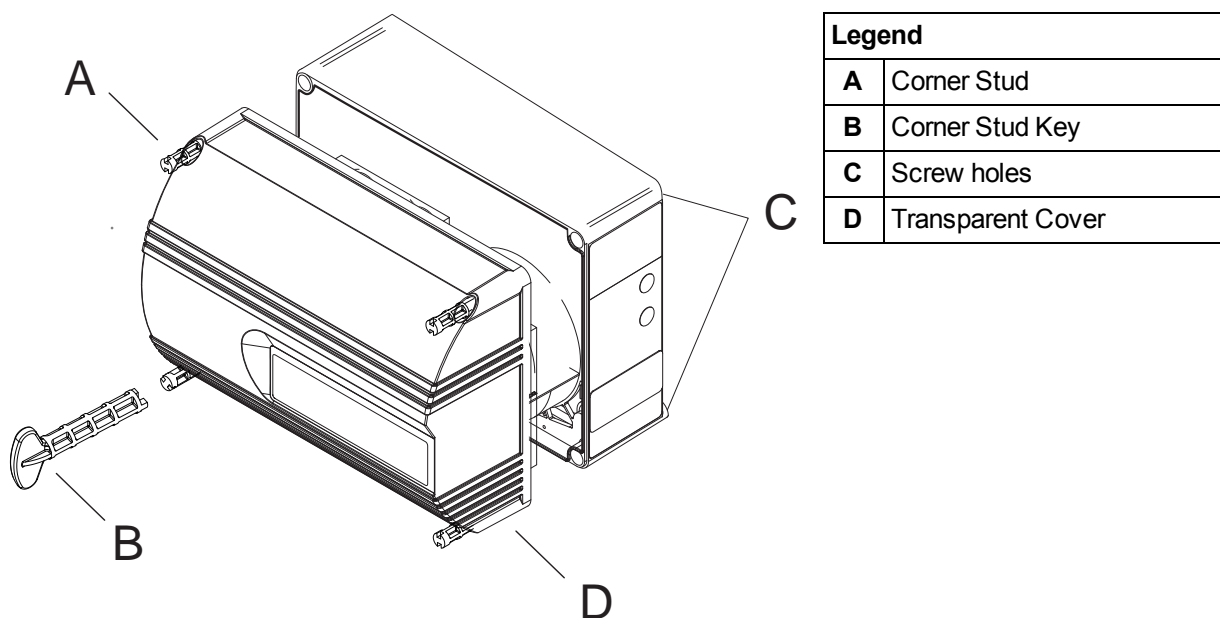


Figure 2-2: Detector Enclosure

Dimensions:

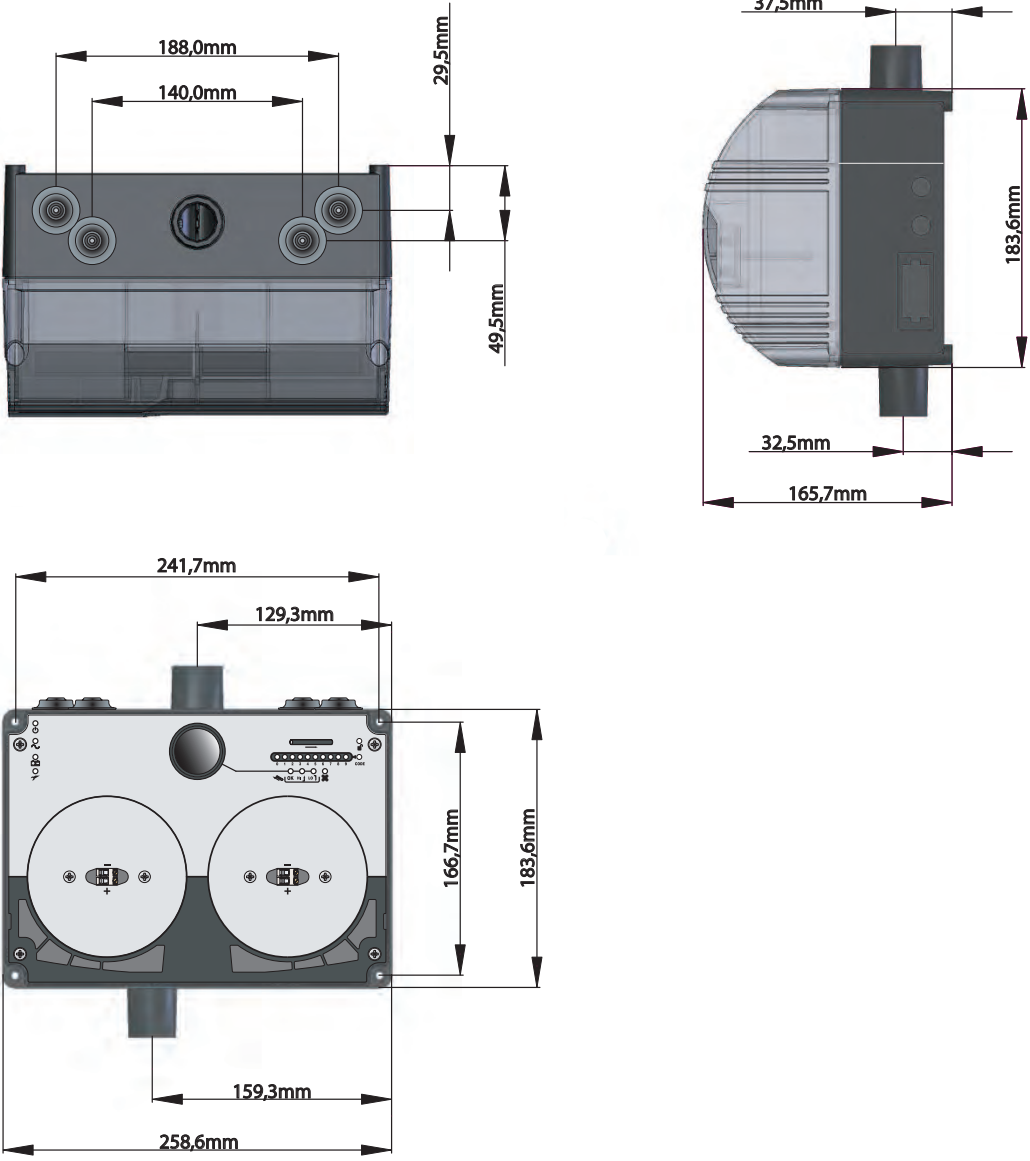


Figure 2-3: Detector Enclosure Dimensions

2.2 Wiring

The following wiring connections must be made to the detector housing:

- 24V DC Power Supply. Refer to Section 2.2.3 for further information.
- Loop or circuit wiring. Refer to Section 2.2.4 for further information.
- Fault Relay. Refer to Section 2.2.5 for further information.

The wiring enters the detector housing via cable seals and is connected to the appropriate terminals on the main circuit board or display board. The terminals allow wire with a maximum diameter of 2.5mm².



Warning: To prevent risk of electric shock or possible injury from the rotation of the high performance fan, the system should be isolated from the power supply when the display board is removed.



Caution: When installing or servicing the unit, ensure that the operator is safely grounded so as to prevent electro-static discharge (ESD) damage to the unit.

2.2.1 Wiring Access

For correct operation of the unit it is essential that the case is fully sealed so that air can only be drawn into the system through the aspirating pipe. Thus, all wiring must pass through the cable seals provided and no additional holes should be made in the detector housing.

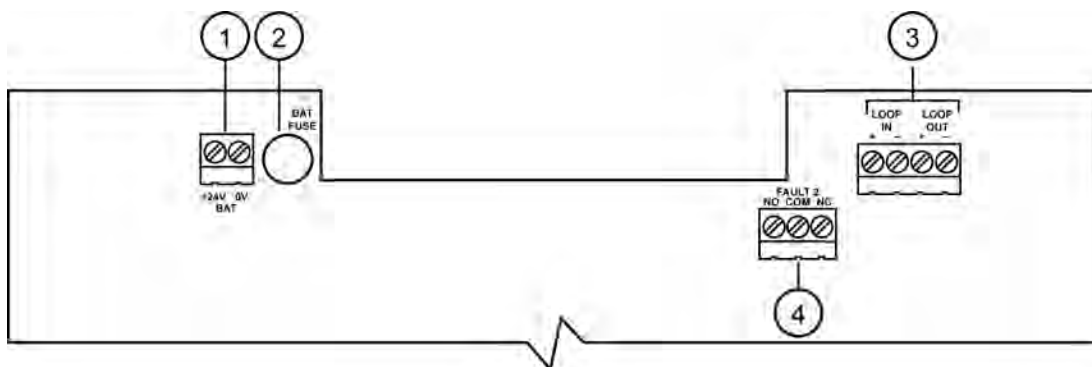
To pass wiring through a cable seal, make a small hole in the centre of the seal with a pointed implement (e.g. small screwdriver) and then force the cable through the hole into the box. The small hole should expand to accommodate any cable diameter from 4 to 10 mm. If the seal is not airtight, then it may be necessary to use a non-reactive resin or glue to create an airtight seal to ensure that air is only drawn through the air sampling pipe network.

2.2.2 Connect Wiring

To gain access to the terminals on the main circuit board for connection of the wiring, remove the display/detector mounting board which is held in place by the clear top cover. To fully remove the display/detector mounting board, disconnect the ribbon cable from the rear of the board.



Caution: Care should be taken when removing the board to ensure that the ribbon cable on the underside is not strained.



- | | |
|------------------------------|------------------------------------|
| 1. 24 VDC input power supply | 3. Loop / circuit wiring interface |
| 2. Input power fuse | 4. Fault relay terminal |

Figure 2-4: Field connectors for the IAS-1 detector

2.2.3 24V DC Input

The IAS-1 unit is designed to run from a 24 VDC supply. The supply should be connected to the two-way BATTERY connector on the main circuit board ensuring that the wires are correctly orientated. The minimum recommended wire size is 16 x 0.25 mm (18 AWG), or larger if the supply is further than 5 m from the system.

A ferrite core is provided for EMC compliance. This should be fitted to the supply wiring inside the enclosure as shown in Figure 2-5.



Figure 2-5: Ferrite core and battery supply wiring

The power requirements are dependant on the fan speed. Refer to Section 8.1 for further information.

2.2.4 Circuit Connection

The loop or circuit wiring can be connected to the point detector(s) with either of two methods:

- the wiring can be connected to the LOOP IN and LOOP OUT terminals on the main circuit board (refer to Section 2.2.2). Additionally, the terminals on the point detector(s) must be connected to the detector terminals located in the center of the point detector mounts on the underside of the mounting board. This is the preferred method.
- the wiring can be connected directly to terminals on the point detector(s). It should be routed via the cutouts in the mounting board.

The LOOP IN and LOOP OUT terminals are connected to the detector terminals on the display board via the ribbon cable. This provides a convenient means of connecting the loop/circuit wiring to the unit and allows the display and detectors to be removed during servicing by simply disconnecting the ribbon cable.

2.2.5 FAULT Relay

In the event of a fault condition, the (FAULT 2) relay will change state. The terminals provide for Normally Open (NO) or Normally Closed (NC) operation and these can be wired using terminating resistors to simulate a zone fault on a conventional control panel or via a loop interface module for an analog addressable panel.

Loop interface modules should be mounted outside of the enclosure unless tested and approved for use within the IAS-1 system. Refer to Section 2.3.3 for the list of approved interface modules.

Note: NO/NC refers to the un-powered state of the relays. Under normal operation (non-fault conditions), NO is closed and NC is open.

2.3 Point Detectors

If the installation is to be done in accordance with EN 54-20 requirements, then the detector must have been tested and approved for use in the system. Section 2.3.2 below contains the list of supported point detectors.

2.3.1 Baffles

Baffles are used to direct the sampled air flow through the point detectors. They are shaped to match a particular model or range of detectors and simply clip into position in the slots provided in the transparent lid of the detector housing.

- Where the IAS-1 is fitted with two point detectors, insert two baffles.
- Where the IAS-1 is fitted with a single point detector, insert a blanking baffle.



Caution: To ensure correct performance the baffles **MUST** be fitted. Care should be taken when removing and re-fitting the transparent lid to ensure that the baffles remain in the slots and do not get lost.

Please contact your local ICAM distributor for ordering information.

2.3.2 Point Detector Selection

The following point detectors have been listed for use in the IAS-1 unit and are suitable for installations requiring EN 54-20 listing. The table shows the limits that should not be exceeded if the installation is to conform to requirements.

Ensure that the selected point detectors have sufficient sensitivity for the application. Refer to Chapter 3 for information on how dilution affects detector sensitivity.

The following detectors have been independently tested and certified for use in the IAS-1 unit and are suitable for EN 54-20 approved Class C installations, or Class A, B or C installations. The following sections will show the requirements for compliance in each category.

Class C Detectors

The detectors in Table 2-1 are suitable for Class C installations only. The Class C over-label provided with the IAS-1 device should be applied as shown in Figure 2-6 with the maximum number of holes written in the white box provided.

The table shows the limits that should not be exceeded if the installation is to conform to Class C requirements. All figures are based on the standard configurations shown in Section 3.9 with a fan speed of 9 unless otherwise stated.

Table 2-1: Tested and Certified Class C Detectors

Detector Brand	Detector Model	Sampling Hole Limits	Maximum Pipe Length (m)	Maximum # Holes	Panel / Detector Configuration	Baffle Order Code	Baffle Notes
APOLLO	S65 Optical	1 x 8 mm End Hole	50	1	Standard Sensitivity	06-AP10	Standard Base
	XP95 Optical	1 x 8 mm End Hole	50	1	Pre-alarm = 45	06-AP10	Standard Base
	DISCOVERY Optical	1 x 8 mm End Hole	50	1	Alarm = 55	06-AP10	Standard Base
	DISCOVERY Optical	2 x 5 mm Holes	50	2	Pre-alarm = 45	06-AP10	Standard Base
ARGUS	Sagittarius SG100	1 x 8mm End Hole	50	1	Standard Sensitivity	06-AG10	Standard Base
DETECTOMAT	CT 3000 O	1 x 8 mm End Hole	50	1	Standard Sensitivity	06-DT10	Standard Base
	PL 3200 O	1 x 8 mm End Hole	50	1	Standard Sensitivity	06-DT10	Standard Base
	PL 3300 O	1 x 8 mm End Hole	50	1	Standard Sensitivity	06-DT10	Standard Base
UTC EDWARDS	DP 652	1 x 8 mm End Hole	50	1	Standard Sensitivity	06-AP10	Standard Base
	DP 721I	3 x 4 mm Holes	50	3	Standard Sensitivity	06-GE20	Standard Base
	DP 2061	4 x 4 mm Holes	40	4	High Sensitivity	06-GE20	Standard Base
	DP 951	1 x 8 mm End Hole	50	1	Pre-alarm = 45	06-AP10	Standard Base
	DP 991	1 x 8 mm End Hole	50	1	Alarm = 55	06-AP10	Standard Base
	DP 991	2 x 5 mm Holes	50	2	Pre-alarm = 45	06-AP10	Standard Base
HOCHIKI	SLR-E3	1 x 8 mm End Hole	50	1	Standard Sensitivity	06-HK10	Standard Base
	ALG-E	1 x 8 mm End Hole	40	1	High Sensitivity	06-HK10	Standard Base
SIEMENS	FDOOTC241	1 x 8mm End Hole	50	1	Mode 10 - Balanced CO	06-SM10	FDB222
	FDOOTC241	1 x 8mm End Hole	50	1	Mode 6 - Fast Response	06-SM10	FDB222
	FDOOTC241	2 x 5mm Holes	50	2	Mode 9 - High Sensitivity Fast	06-SM10	FDB222

Table 2-1: Tested and Certified Class C Detectors (continued...)

Detector Brand	Detector Model	Sampling Hole Limits	Maximum Pipe Length (m)	Maximum # Holes	Panel / Detector Configuration	Baffle Order Code	Baffle Notes
SYSTEM SENSOR	2251EM	1 x 8 mm End Hole	50	1	Standard Sensitivity = 2200	06-SS10	Standard Base
	2251EM	2 x 5 mm Holes	50	2	High Sensitivity = 1800	06-SS10	Standard Base
TYCO	MX 801PH	2 x 4 mm Holes	50	2	HPO Standard Sensitivity	06-AD10	Standard Base
	MX 830PH	2 x 4mm Holes	50	2	HPO Standard Sensitivity, Fast-Logic = ON	06-AD10	Standard Base
	MX 830PH	3 x 4mm Holes	50	3	HPO High Sensitivity, Fast-Logic = ON	06-AD10	Standard Base
	FC 460PH	1 x 8mm End Hole	50	1	HPO High Sensitivity	06-AD10	Standard Base
	MX 850PH	2 x 4mm Holes	50	2	HPO Standard Sensitivity, Fast-Logic = ON	06-AD10	Standard Base
	MX 850PH	3 x 4mm Holes	50	3	HPO High Sensitivity, Fast-Logic = ON	06-AD10	Standard Base

Notes:

1. Siemens FDOOTC241 and Tyco MX 850PH detectors incorporate Short Circuit Isolation approved to EN 54-17.
2. To ensure the correct operation of the Short Circuit Isolation functionality, point detectors or bases with Short Circuit Isolation approved to EN 54-17 should be wired directly to the loop as shown in Section 2.3.6, Figure 2-7.
3. ARGUS Sagittarius SG100 detectors are battery powered wireless devices approved to EN 54-25. These require no physical wiring.

Class A, B and C Detectors

The following detectors are suitable for Class A, B and C installations:

- System Sensor 7251EM (Baffle order code 06-SS10)
- System Sensor LZR1-M (Baffle order code 06-SS10)
- Notifier FSL-7251E View (Baffle order code 06-SS10)

The Class A, B, C over-label should be applied as shown in Figure 2-6. The maximum number of holes for these detectors is printed on the over-label. All figures are based on the standard configurations shown in Section 3.9 with a fan speed of 9 unless otherwise stated.

Table 2-2: Sensitivity and Maximum Holes per Class

Panel Sensitivity	Maximum Number of Holes per Class		
	Class C	Class B	Class A
1	18	6	3
2	9	3	1
3	4	1	N/A
4	1	N/A	N/A
5 or above	N/A	N/A	N/A

Note: Table 2-2 shows the limits that should not be exceeded for the three sensitivity classes. Figures are based upon the configurations shown in Section 3.9.

Note: Any changes to the standard configuration or settings shown above should be verified using ICAM ASPIRE2 pipe modeling software. The latest version of ICAM ASPIRE2 is available from www.xtralis.com.

2.3.3 Loop Interface Module Selection

Specific I/O modules are approved to be fitted within the IAS-1 detector enclosure. These are:

- Tyco - MIM800 Addressable Module
- Apollo - 55000-760 Mini Switch Monitor

2.3.4 Point Detector Installation

One or two conventional or analog addressable point detectors are attached to the mounting board using the provided screws. The point detector wiring passes through the 'D' shaped access holes in the display board and either connect to the terminals provided on the reverse of the display board or connected directly to the signalling circuit.

When one point detector is installed, the detector should be placed in the Channel 1 position.

Note: The installer should refer to the point detector manufacturer's technical literature for wiring details and detector/panel configuration settings.

2.3.5 Overlabel Application

The IAS-1 detector is provided with overlabels containing the EN 54-20/CPR compliance details.

As part of compliance to device listing requirements, the label that corresponds to the point detectors that are being fitted to the IAS-1 must be affixed to the markings label found on the right side of the unit contained in this shipping package, as shown below in Figure 2-6. The correct overlabel is selected by reference to Section 2.3.2. In the case of Class C detectors the installer must enter the maximum number of holes permitted for the detector in the space provided on the overlabel.

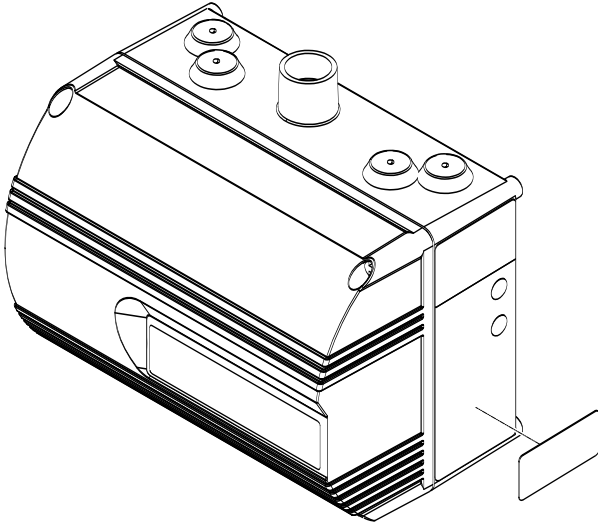


Figure 2-6: Overlabel Application

2.3.6 Wiring Examples

The following examples show typical installations for conventional and analog addressable detectors. Please ensure that all wiring complies with manufacturer's instructions and local and national fire detection code requirements.

Configuration with a directly wired Addressable Detector

The following schematic shows a detector wired directly to the loop with the FAULT relay connected to loop via addressable module.

Note: Depending upon the make and model of detector being used, the Loop IN/Loop OUT wiring connections may be different to that shown below. Please refer to the detector manufacturers installation instructions for the correct wiring scheme to be used.

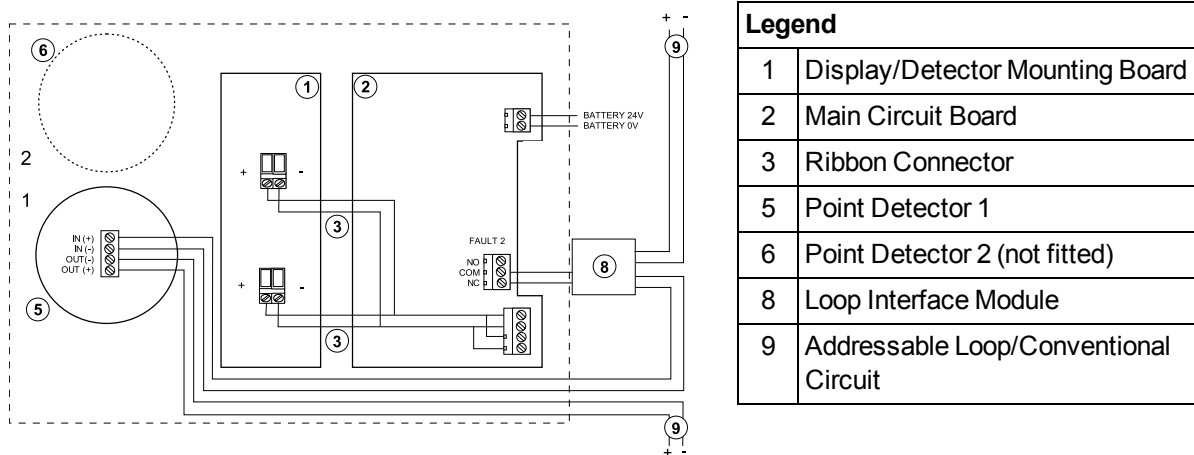


Figure 2-7: Wiring diagram for an IAS-1 system with a directly wired Addressable Detector

Configuration with Conventional Detectors connected in series

The schematic shows the first and last units in a chain of IAS-1 units. Zone circuit wiring is returned from last unit to first via fault relay contacts in each unit and a terminating resistor fitted to first unit as shown. A flow fault condition in any unit will break the connection to the terminating resistor and indicate a zone fault without affecting the operation of the detectors themselves.

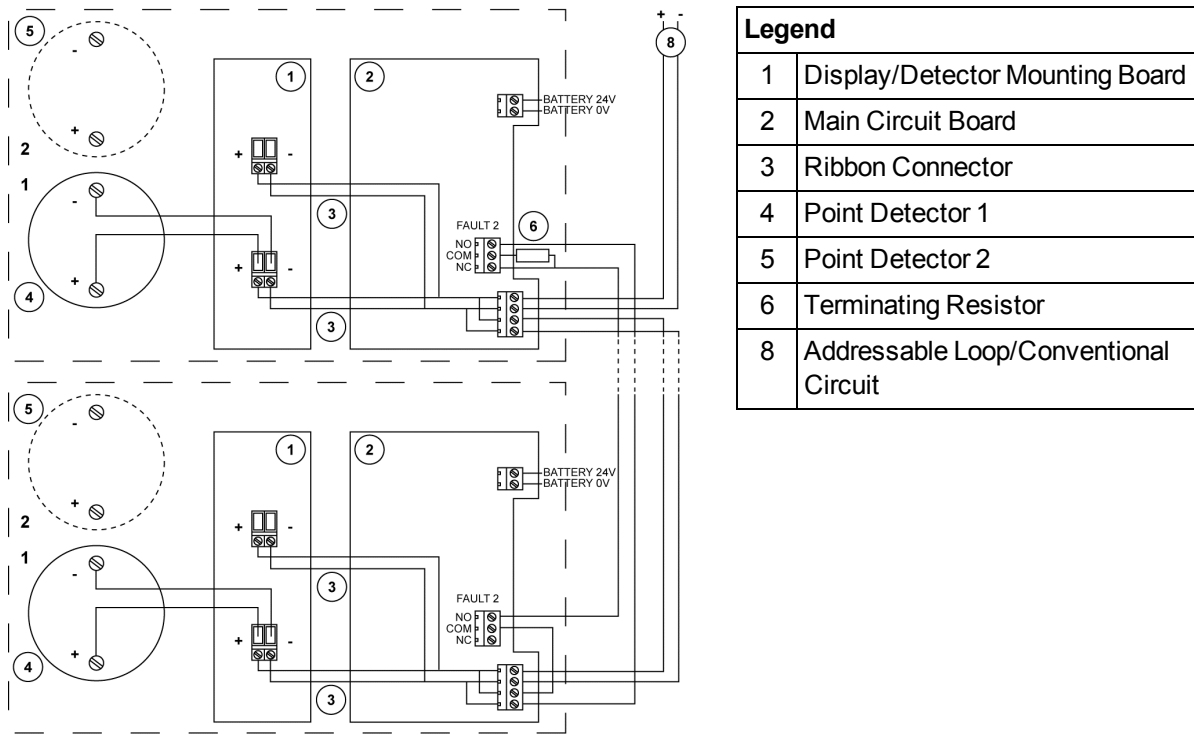


Figure 2-8: Wiring diagram showing IAS-1 systems connected in series

3 Pipe Network Installation

This chapter provides a simple guide to pipe installation and should contain all the information required for simple open area installations.

Use appropriate CPVC/ABS pipe with sampling point holes drilled along its length. The pipe run is terminated with an end cap.

- For single sampling point installations the sampling hole should be in the centre of the end cap. For configurations with 2 or more sampling points the end cap should be blocked and the sampling holes drilled on the underside of the pipe.
- For large installations using the sensitive class A,B,C detectors listed in Section 2.3.2, it may be necessary to add an end hole to aid transport time. The use of end holes in this way should be determined by use of the ICAM ASPIRE2 pipe modeling software.

The position of each individual sampling point should be in accordance with the rules for the positioning of point detectors. It is important to note that on installations with two or more sampling holes, the concentration of smoke on an individual sample point will be diluted by the clean air from the other sample points and the end cap hole where this is being used.

3.1 Pipe Specification

For EN 54-20 compliance, the pipe should conform to EN 61386-1: 2004 (Crush 1, Impact 1, Temp 31). The pipe should have a nominal outside diameter of 25 mm (metric) or 26.7 mm (imperial 3/4"). The sample pipe is normally supplied in 3 m lengths and is cut as required and joined by solvent welded sockets (permanent), or socket unions (removable).

Note: The IAS-1 inlet port is tapered to allow a push fit of the sampling pipe. The pipe should be cut squarely to ensure a good, airtight seal. Solvent adhesive should not be used for this joint. Using adhesive on the inlet and outlet port connections will void the warranty of the detector enclosure.

Use pipe cutting shears or a wheel type plastic tube cutter to cut pipes to the required length as per the sampling network design. Ensure that cuts are square.

3.2 Fixings

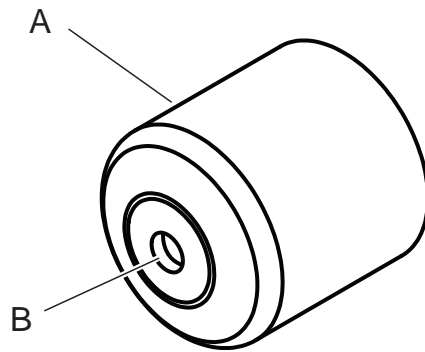
The normal fixing methods are pipe clips, saddle clamps or even tie wraps. Fixing centers are typically 1.5 m apart.

3.3 Sampling Holes

The sampling pipe is perforated with sampling holes and can either be pre-drilled or drilled in situ. Use a low speed drill with a sharp drill bit to prevent debris from entering the pipe. Always blow compressed air through the pipe after drilling to clear any debris before final connection to the equipment.

- In standard configuration, with pipe hanging from ceiling, holes should be placed underneath, so the smoke can easily rise up into the hole.
- It is important that the correct diameter sampling holes be drilled, as this affects system performance and efficiency.
- Sampling holes must be drilled at 90 degree angles to the pipe.
- Attach adhesive labels to identify the sampling points.

3.4 End Cap



Legend	
A	End Cap
B	Sampling Hole

Figure 3-1: End cap with hole drilled in center

Refer to Section 3.9 on page 20 for approved configurations.

3.5 Bends

Bends are either 45° or 90°. For 90° bends, it is important that swept bends are used and not sharp elbows, as this will introduce unnecessary pressure losses, and increase the response times from holes beyond the bend.

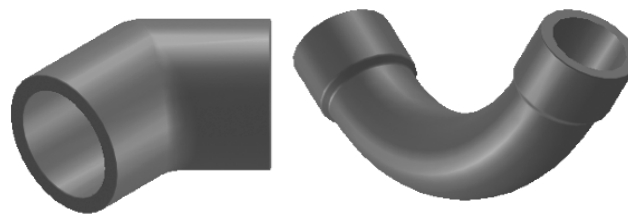
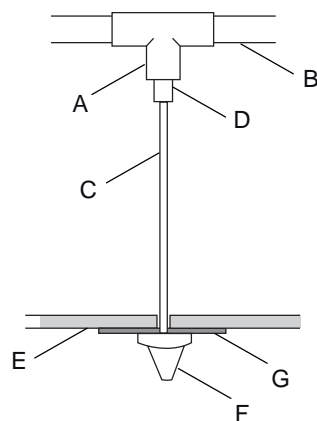


Figure 3-2: 45° bend and 90° swept bend

3.6 Capillary Tubes

For above ceiling or concealed open area applications, capillary tube air sampling can be used.

Note: The maximum allowable length for a capillary tube is 3 meters.



Legend	
A	Pipe Tee
B	Sampling Pipe
C	Capillary Tube
D	Capillary Tube Connector
E	Ceiling Tile
F	Sampling Point
G	Label

Figure 3-3: Capillary Tube

3.7 Exhaust

Where the IAS-1 is located outside the protected area, consideration must be given to returning the exhaust air to the protected environment to balance pressure differences that may exist between the two areas. In the majority of applications, this is not necessary as pressure differences are minimal.

Examples of where the exhaust should be returned to the protected area include:

- where pressure differences exceed 50 Pa from where the detector is located outside the protected area.
- where there are hazardous substances inside the protected area, for example hospital operating theatres, laboratories.

Pipe of the same specification as the sampling pipe runs should be used and its length limited to a maximum of 10 m to avoid significant reduction in the airflow. Care should be taken to position the new exhaust outlet where it cannot be accidentally or deliberately blocked.

Return air pipes need to be as short as possible to minimize the effect of airflow resistance in the return air pipe network.

3.8 Filters



Figure 3-4: Filter at inlet of system

The sampled air is passed through a filter (order code FL53) before entering the detector chamber.

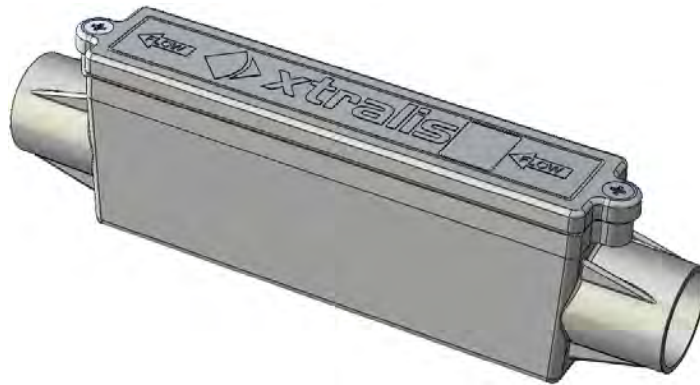


Figure 3-5: Xtralis Inline Filter

Additional filtration of sampled air may be required in harsh environments. Refer to the Xtralis Inline Filter Application Note (17785) for further information.

3.9 Open Area Applications

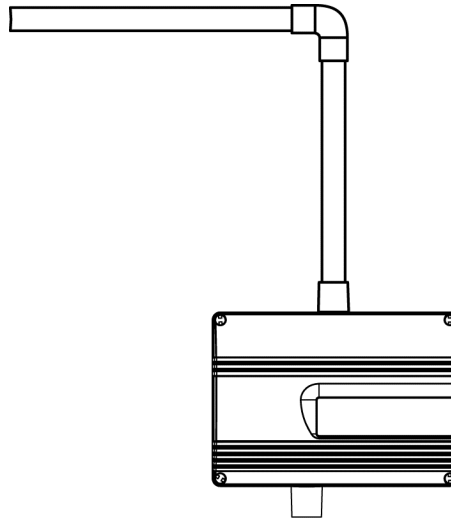


Figure 3-6: Example of an IAS-1 system with one pipe

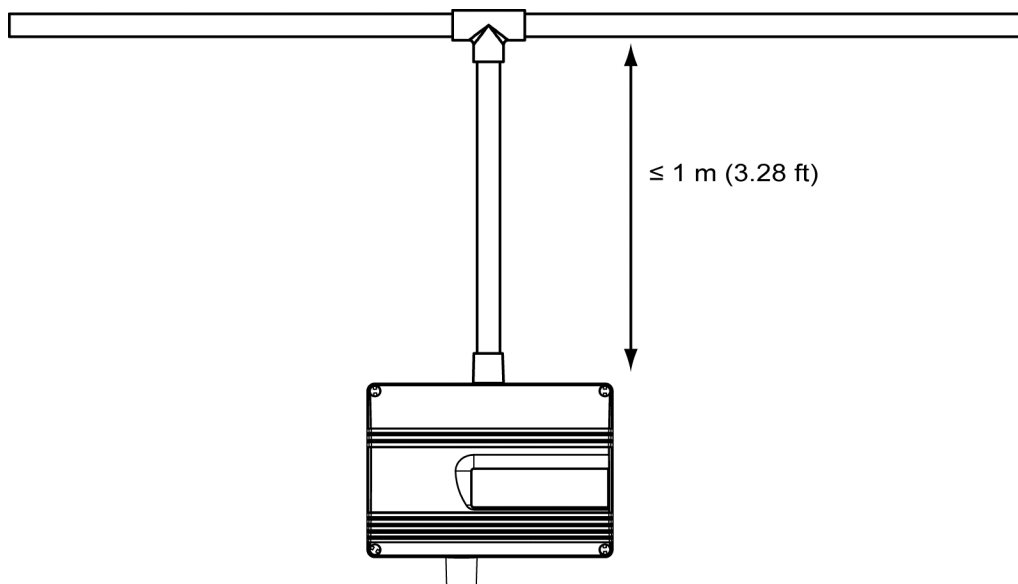


Figure 3-7: Example of IAS-1 system with a tee and two pipes

Distance from unit to Tee must be at most 1 m and pipes should be balanced, be of equal length and have equal number of holes.

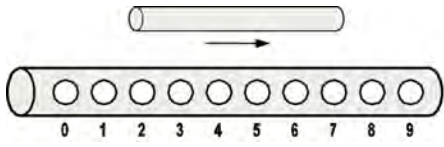
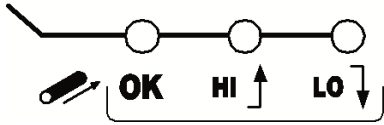







The use of additional bends as described in Section 3.5 will have a minimal effect on performance (response time) of either configuration.

Note: Refer to Section 2.3.2 for hole and pipe length limits for supported detectors. These limits describe pre-tested and acceptable system design values for the standard pipe configurations described in this section, for each type of supported detector.

4 Configuration

4.1 Display Functions

The icons that are present on the system display are shown below.

- | | | |
|---------|---|---------------------------------------|
| 1 |  | BARGRAPH of AIRFLOW SPEED |
| 2, 3, 4 |  | AIRFLOW OK, HIGH AIRFLOW, LOW AIRFLOW |
| 5 |  | POWER ON |
| 6 |  | GENERAL FAULT (Mains PSU Option Only) |
| 7 |  | MAINS FAILURE (Mains PSU Option Only) |
| 8 |  | BATTERY LOW (Mains PSU Option Only) |
| 9 |  | FAN FAULT |
| 10 |  | CODE ENTRY |
| 11 |  | UNLOCK |

4.2 User Interface

Press and hold SELECT and CHANGE keys simultaneously for 1 sec to initialize function selection.

Press and release SELECT key to sequentially step through functions.

Press and release CHANGE key to modify setting.

The relevant LED flashes continuously to indicate the function selected.



To enable updates to the system, enter the three digit access code (510). To enter numbers into the system, each number must be sequentially selected in turn. For example to select 5, press the CHANGE key six times to illuminate the number 5 LED on the display then press the SELECT button. During this operation, the CODE LED flashes, then the UNLOCK LED illuminates on successful entry.

A description of IAS-1 user functions are shown in the following table.

Table 4-1: User Functions for the IAS-1 System

Function	Display	Special Instructions
Set fan speed	POWER LED flashes	-
Set sensitivity of bar graph to changes in airflow velocity	FLOW OK flashes	-
Select the BARGRAPH LED segment above which the FLOW HIGH LED will be illuminated	FLOW HIGH flashes	-
Select the BARGRAPH LED segment below which the FLOW LOW LED will be illuminated	FLOW LOW flashes	-
Set FLOW DELAY time of both channels	FLOW HI and FLOW LO LEDs both flash	Refer to Section 4.3 for information on flow delays.
Calibrate flow sensors	FAN FAULT LED flashes	CHANGE key must be pressed for at least 2 seconds to initiate the flow calibration process. FAN and POWER LEDs flash to indicate calibration in progress. Fan is temporarily stopped as part of the calibration process. The system will reset and revert to normal operating mode when flow calibration is completed.

Pressing the SELECT key for longer than 1 second when the unit is unlocked will cause the unit to revert to normal operating mode.

4.3 Parameters

The Fan Speed, Flow Limits and Flow Sensitivity need to be set for each installation prior to Flow Calibration and testing. It is not possible to provide the settings for all possible installations but the following guidelines should assist in the commissioning of the unit.

4.3.1 Fan Speed

The Fan Speed should be set as high as possible to achieve the fastest transport time from the sampling point to the detectors, this is especially important for longer pipe lengths and for installations that must conform to the requirements of EN 54-20 (refer to Section 8.1). There is, however, a balance to be achieved between performance and the power requirements for the system and reference should be made to the current consumption figures in the specifications prior to setting this value.

4.3.2 Flow Delays

By default, an increase or decrease in flow beyond the FLOW HIGH and FLOW LO limits will result in a FLOW FAULT after a delay of approximately 30 seconds. Once the flow is returned to a normal level, the fault condition will be cleared within 18 seconds.

In environments where the sampled airflow may be affected by sudden temperature or pressure changes, or if there is a risk of physical interference of the sampling point (e.g. prison cell applications) then it may be necessary to increase the delay between when flow limit has been exceeded and instigating a FLOW FAULT condition.

Table 4-2: Flow Delay Settings for the IAS-1 system

Bargraph LED	Flow into Fault Delay (Sec)	Flow out of Fault Delay (Sec)
0	15	2
1	30	18
2	60	18
3	90	18
4	120	18
5	150	18
6	180	18
7	210	18
8	240	18
9	270	18

Notes:

- Timings are approximate.
- The default flow delay setting is 1.

4.3.3 Flow Sensitivity

This setting determines the units responsiveness in reporting blocked sampling points or broken pipes.

The default flow sensitivity value of 9 will configure the unit to declare a flow fault whenever there has been a change in volumetric airflow of $\pm 20\%$ from the calibrated reading for at least the duration of the flow delay, refer to Section 4.3.2. For most installations, especially if compliance with EN 54-20 is required, the default setting should be used.

In certain circumstances, such as rapid changes in ambient air pressures due to air handling units, doors opening/closing etc. the default setting may appear to be too sensitive. Under these conditions, the flow delay setting should be increased to allow time for the air pressures to stabilize after the temporary event.

Only under extreme environmental conditions or non standard pipe configurations should decreasing the flow sensitivity be considered.

This page is intentionally left blank.

5 Testing

Note: Testing should only be carried out by qualified personnel. To prevent unwanted alarms, ensure that the proper authorities have been informed and that the unit has been isolated from the fire system.

5.1 Point Detectors

- With the unit powered up and top cover removed the detectors can be tested for alarm functionality using methods described by the manufacturer (e.g. aerosol spray).
- An airflow test may also be performed at this time as the detector should report a low flow fault with the top cover removed.

5.2 System

The installed system must be checked with the top cover securely fitted.

As a minimum, smoke should be introduced to the furthest sampling point from the IAS-1 system on each branch of the pipe. The choice of smoke source is dependant on the installation but in all cases the smoke must be present for the duration of the test – aerosol sprays for point detectors are not always effective on aspirated systems. Manufacturers recommended test method(s) for the specific point detector mounted in the IAS-1 should be followed.

If it is possible to get close to the sampling point then a basic, functional check can be carried out with smoke matches or lighted paper etc.

Ensure that the system complies with manufacturer's instructions and all local and national code requirements.

This page is intentionally left blank.

6 Maintenance

Maintenance should only be carried out by qualified personnel and in accordance with the manufacturer's recommendations.



Caution: To prevent unwanted alarms, ensure that the proper authorities have been informed and that the unit has been isolated from the fire system.



Caution: When installing or servicing the unit, ensure that the operator is safely earthed so as to prevent electro-static discharge (ESD) damage to the unit.



Caution: To ensure correct performance the baffles **MUST** be fitted. Care should be taken when removing and re-fitting the transparent lid to ensure that the baffles remain in the slots and do not get lost. Refer to Section 2.3.1 for further information.

6.1 Air Inlet Filter Replacement Procedure

With normal use, the filter element will eventually become contaminated with dust particles, impeding airflow, and it is recommended that the filter element (order code FL53) is changed every six months.

The frequency of filter replacement depends on environmental conditions. For example, where the detector is placed in extreme environmental conditions, the filter should be changed every three months.

1. Remove the transparent cover using the corner stud key.
2. Lift out the foam filter element from the filter tube using tweezers or long nosed pliers.
3. Fit a new filter element. Ensure that the filter is not compressed during fitting and that it is positioned flush with the top of the filter tube.
4. Replace the transparent cover.

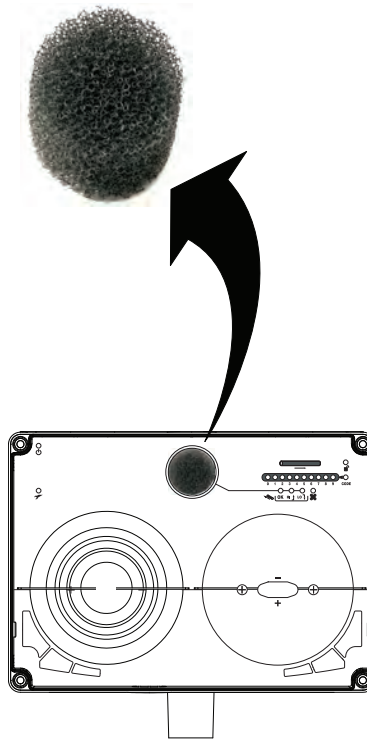


Figure 6-1: Air Inlet Filter Removal

This page is intentionally left blank.

7 Troubleshooting

Problem	Possible Solutions
Power light flashing.	Ensure supply to BATTERY connector within limits.
No lights on display. Fan not running.	Ensure supply leads correctly orientated. Ensure that BAT FUSE correctly seated in socket and fuse not blown.
No lights on display. Fan running OK.	Ensure ribbon cable fully seated into main & display boards.
FLOW HI or FLOW LO light on.	Ensure sampling pipes correctly installed, lid fitted and box fully sealed. Ensure flow calibration procedure has been carried out (Section 4.2). Ensure filters are clean (Chapter 6).
Flow reading on Bargraph display moves erratically.	Decrease Flow sensitivity setting and re-calibrate air flows (Section 4.2).
Flow reading on Bargraph unresponsive to broken/blocked pipe.	Increase Flow sensitivity setting and re-calibrate air flows (Section 4.2).
Detector(s) unresponsive to smoke tests.	Ensure sampling pipe installed correctly and undamaged (Chapter 3). Ensure that holes and pipe length do not exceed limits for detector (Section 2.3.2). Ensure that recommended baffles are fitted (Section 2.3.1). Ensure that recommended test method is used (Section 5.2). Increase fan speed and re-test.

This page is intentionally left blank.

8 Specifications

Number of Detectors (not supplied)	1 or 2 Analog Addressable or Conventional
Dimensions (L x W x H)	258.6 mm x 165.7 mm x 320.6 mm
Filtration	Single stage dust particle filter Optional external filter
Flow Monitoring	Thermal device, high and low thresholds. 10 element bar graph indication. Relay fault reporting.
Supply Voltage	18 - 30 VDC (24 VDC Nominal)
Relay Contact Ratings	Fault: 1 A @ 30 VDC
Maximum Supply Current	350 mA @ 24 VDC with no aspirating pipe. See table below for typical Currents/Fan Speeds
Maximum Pipe Length	Up to 100 m dependant on detector type
Air Inlet Pipe	Accepts both metric and American standard pipe sizes. <ul style="list-style-type: none"> • Metric: 25mm (1.05 in.) • American Pipe: ¾ in. I.D (21mm)
Environmental Protection	IP65 with exhaust fitted (IP23 without)
Operating Conditions	Tested to: -10 to 55°C Recommended Detector Ambient: 0 to 38°C Sampled Air: -20 to 60°C Humidity: 10 to 95% RH (non-condensing)
Approvals	EN54-20 by VdS (G206066)
Certification	EN 61000-6-3:2007+A1:2011 (EMC Emissions) EN 50130-4:2011 (EMC Immunity) CPR (305/2011/EU), DoP 25994

8.1 Typical Supply Current & Fan Speed

Bargraph Value	0	1	2	3	4	5	6	7	8	9
Fan Speed	1	2	3	4	5	6	7	8	9	10
Current (mA)	110	120	130	150	170	190	220	235	265	300

Note: Typical current consumption figures for different fan speeds. Results are based upon an IAS-1 installation with 10 m of standard, 25 mm aspirating pipe per channel. The unit was powered from a 24 VDC power supply.

This page is intentionally left blank.