

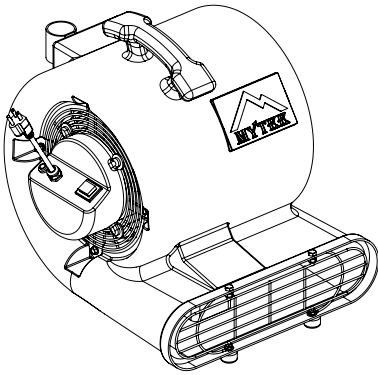
# Instructions for 2200, 2200H & 2200-GFI Mytee-Dry™, 2300 Whisper-Dry™ & 3000 Tradewind™



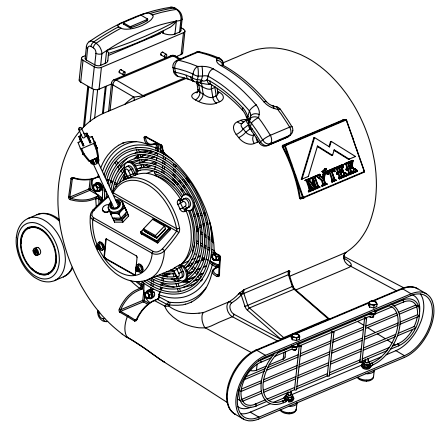
Please read before use.



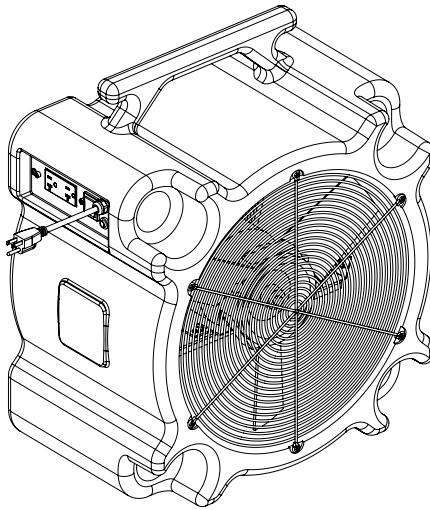
Register your product  
at [www.mytee.com/help](http://www.mytee.com/help)



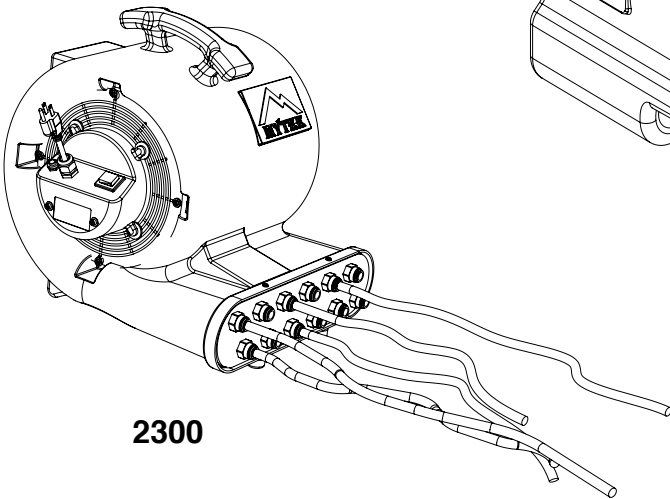
**2200**



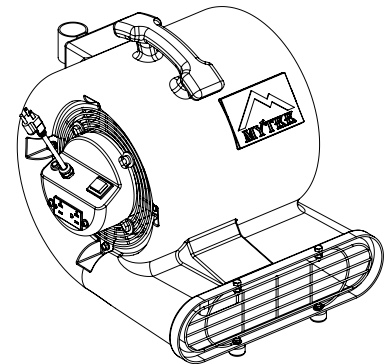
**2200H**



**3000**



**2300**



**2200-GFI**

2200 p. 2  
2200H p. 5  
2200-GFI p. 8  
2300 p. 11  
3000 p. 14  
General information p. 18

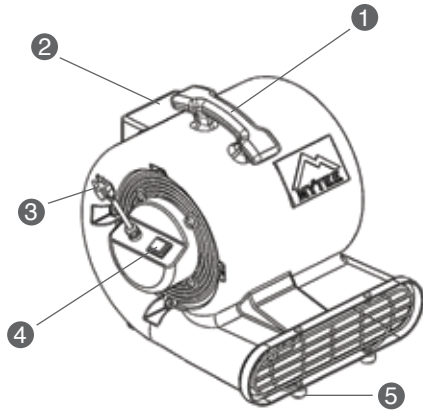
Model # \_\_\_\_\_

Serial # \_\_\_\_\_

Form # ADM-Airmovers

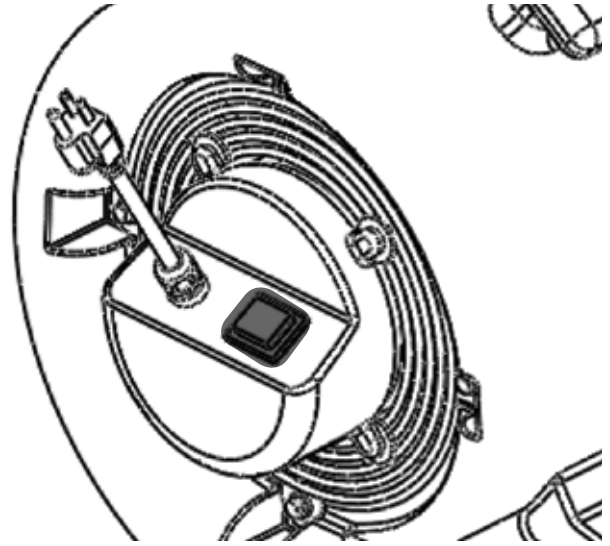
4-12

## 2200 MYTEE DRY™ FRONT



1. Carry handle with stacking feature
2. Inserts for luggage-style transport handle (optional)
3. 25' power cord
4. Speed selection switch
5. Non-marking soft feet

## 2200 SWITCH



Speed selection switch, choose: speed 1, speed 2 or off.

## AIRMOVER POSITIONS



POSITION 1:  
(0 Degrees) Placed at this angle, the Mytee-Dry is great for drying carpets, floors and other flat surfaces.

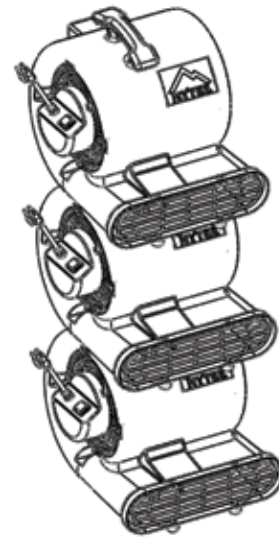


POSITION 2:  
(45 Degrees) Use this mode to direct airflow at walls, into crawl spaces and at other vertical surfaces.

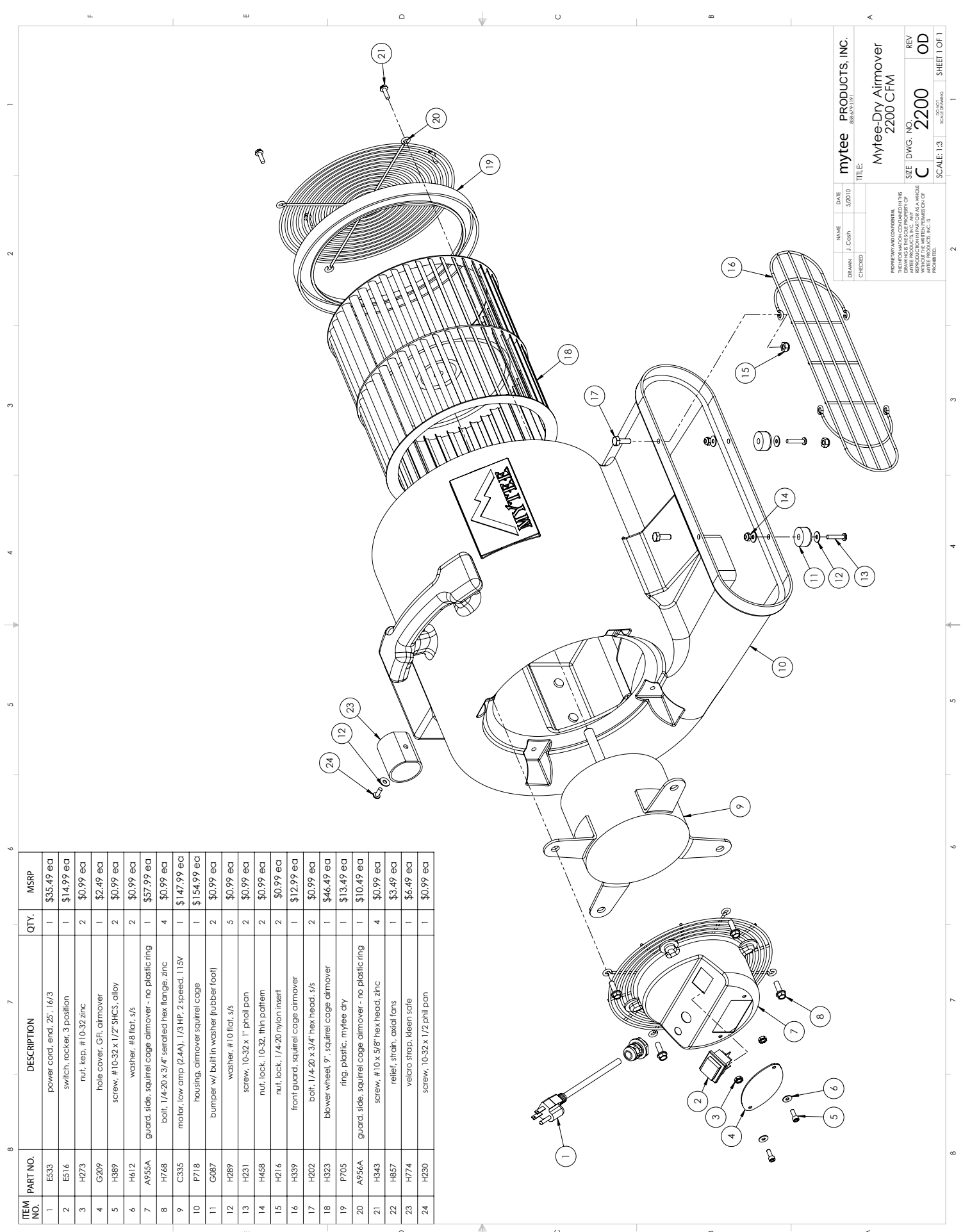


POSITION 3:  
(90 Degrees) Great for drying ceiling tiles, insulation, etc. Also good for promoting indirect airflow in a room.

## AIRMOVER STORAGE



Stack for storage and transport.

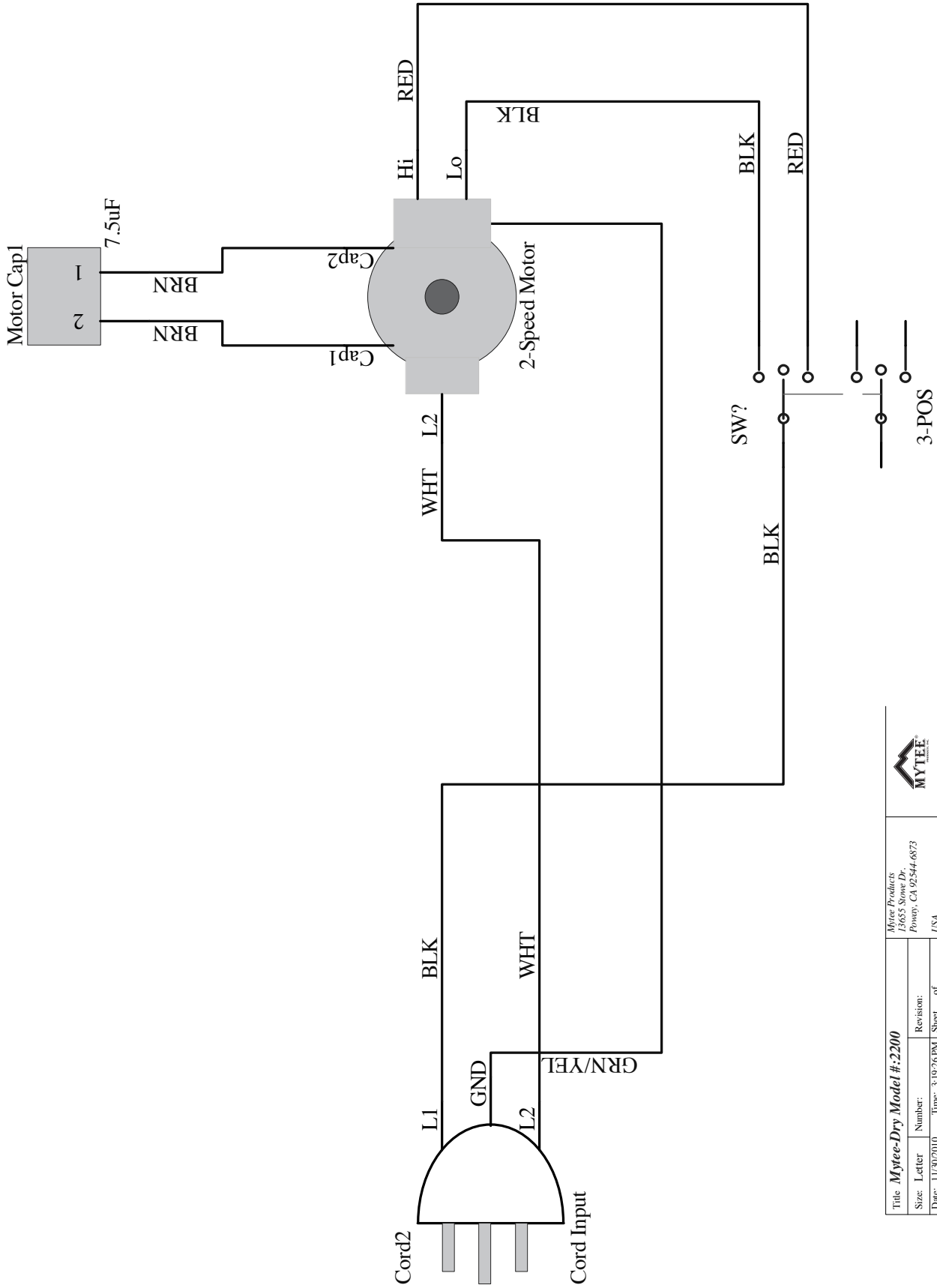


ITEM NO.	PART NO.	DESCRIPTION	QTY.	MSRP
1	E533	power cord, end, 25', 16/3	1	\$35.49 ea
2	E516	switch, rocker, 3 position	1	\$14.99 ea
3	H273	nut, kep. #10-32 zinc	2	\$0.99 ea
4	G209	hole cover, GH, air mover	1	\$2.49 ea
5	H389	screw, #10-32 x 1/2" SHCS, alloy	2	\$0.99 ea
6	H612	washer, #8 flat, s/s	2	\$0.99 ea
7	A955A	guard, side, squirrel cage air mover - no plastic ring	1	\$57.99 ea
8	H768	bolt, 1/4-20 x 3/4" serrated hex flange, zinc	4	\$0.99 ea
9	C335	motor, low amp (2.4A), 1/3 HP, 2 speed, 115V	1	\$147.99 ea
10	P718	housing, air mover, squirrel cage	1	\$154.99 ea
11	G087	bumper w/ built in washer (rubber foot)	2	\$0.99 ea
12	H289	washer, #10 flat, s/s	5	\$0.99 ea
13	H231	screw, 10-32 x 1" phill pan	2	\$0.99 ea
14	H458	nut, lock, 10-32, thin pattern	2	\$0.99 ea
15	H216	nut, lock, 1/4-20 nylon insert	2	\$0.99 ea
16	H339	front guard, squirrel cage air mover	1	\$12.99 ea
17	H202	bolt, 1/4-20 x 3/4" hex head, s/s	2	\$0.99 ea
18	H323	blower wheel, 9", squirrel cage air mover	1	\$46.49 ea
19	P705	ring, plastic, mytee dry	1	\$13.49 ea
20	A956A	guard, side, squirrel cage air mover - no plastic ring	1	\$10.49 ea
21	H343	screw, #10 x 5/8" hex head, zinc	4	\$0.99 ea
22	H857	retler, strain, axial fans	1	\$3.49 ea
23	H774	velcro strap, klean safe	1	\$6.49 ea
24	H230	screw, 10-32 x 1/2 phill pan	1	\$0.99 ea

mytee PRODUCTS, INC. 888-925-1911		DATE	5/2010
NAME	J. Coon	DATE	
DRAWN		DATE	
CHECKED		DATE	
TITLE: Mytee-Dry Air mover 2200 CFM			
SIZE	DWG. NO.	REV	
C	2200	OD	
SCALE: 1:3	SHEET 1 OF 1		

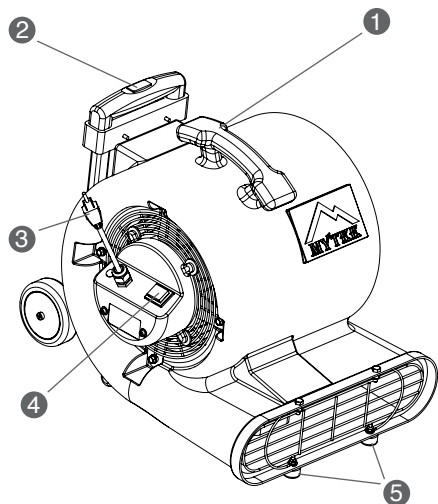
INTERNET AND COMMENTS:  
DRAWINGS ARE THE PROPERTY OF MYTEE PRODUCTS, INC. AND REPRODUCTION IN WHOLE OR IN PART WITHOUT THE WRITTEN CONSENT OF MYTEE PRODUCTS, INC. IS PROHIBITED.

# 2200 MYTEE-DRY™



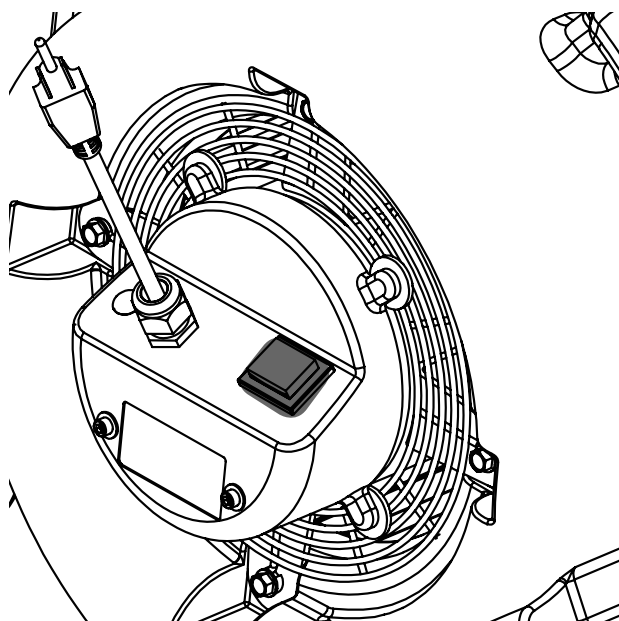
Title		Mytee Products	
Size: Letter		1365 Stone Dr.	
Date: 11/30/2010		Poway, CA 92134-6873	
File: C:\Compuas\GHP\Projects\Mytee\Schematics\Mytee-Dry 2200.SCHDOC		USA	
Title: Mytee-Dry Model #:2200		MYTEE	
Number:	Revision:		
Time: 3:19:26 PM	Sheet of		

2200H MYTEE DRY™ FRONT



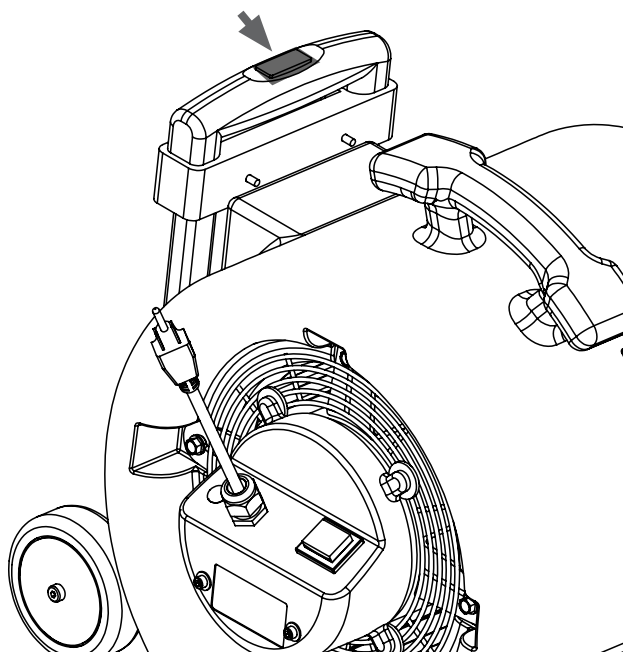
- 1. Carry handle with stacking feature
- 2. Luggage-style transport handle
- 3. 25' power cord
- 4. Speed selection switch
- 5. Non-marking soft feet

2200H SWITCH



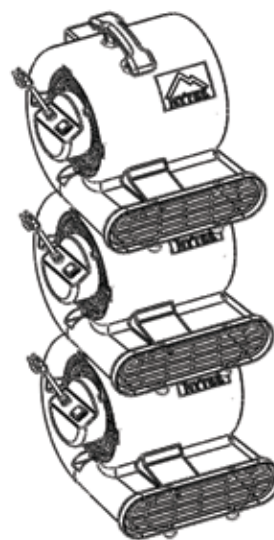
Speed selection switch, choose: speed 1, speed 2 or off.

2200H Luggage-style transport handle



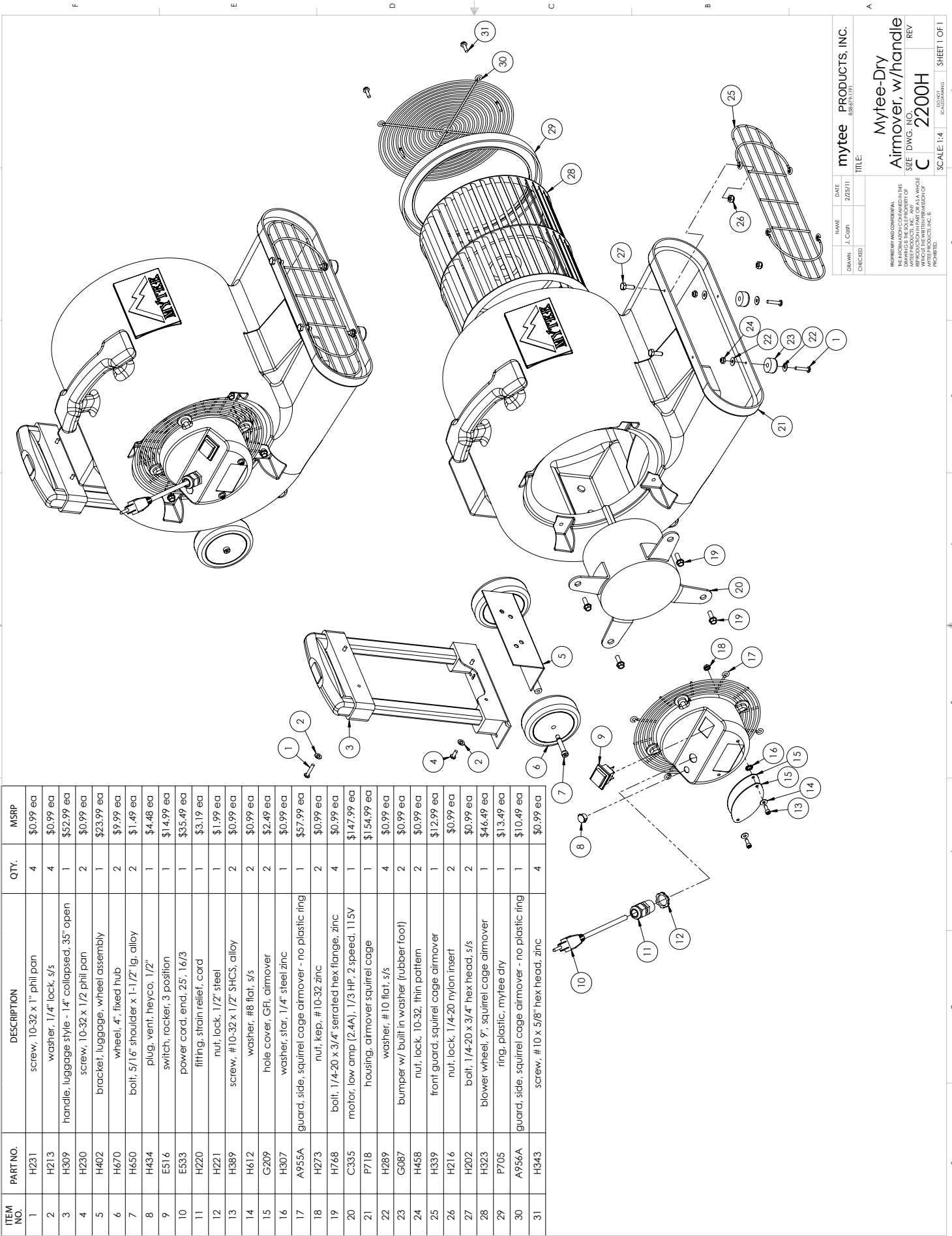
For easy handle height adjustment, push button located on top of the transport handle.

AIRMOVER STORAGE



Stack for storage and transport.

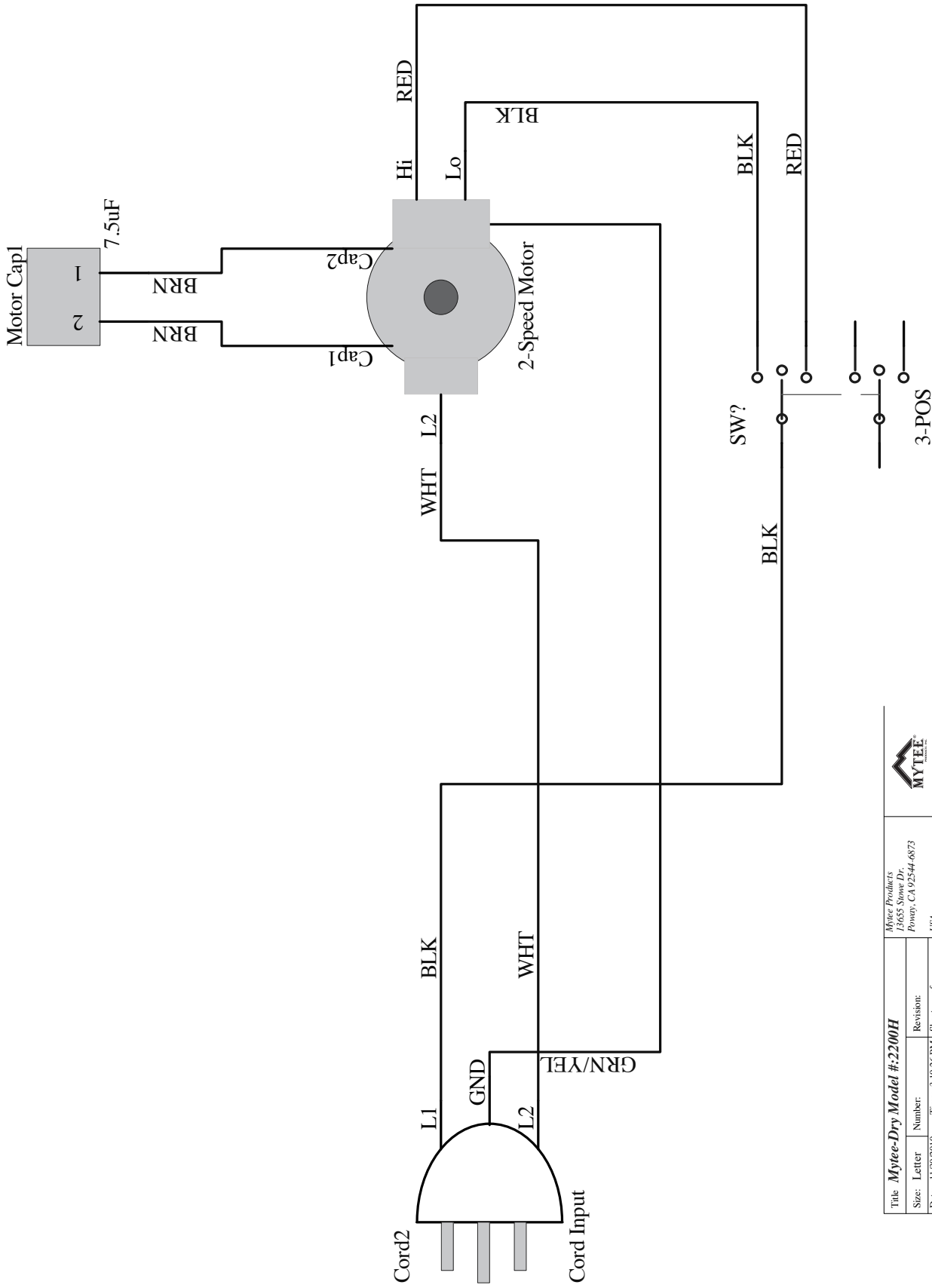
# 2200H MYTEE-DRY™



ITEM NO.	PART NO.	DESCRIPTION	QTY.	MSRP
1	H231	screw, 10-32 x 1" phill pan	4	\$0.99 ea
2	H213	washer, 1/4" lock, s/s	4	\$0.99 ea
3	H309	handle, luggage style - 14" collapsed, 35" open	1	\$52.99 ea
4	H230	screw, 10-32 x 1/2 phill pan	2	\$0.99 ea
5	H402	bracket, luggage, wheel assembly	1	\$23.99 ea
6	H670	wheel, 4", fixed hub	2	\$9.99 ea
7	H650	bolt, 5/16" shoulder x 1-1/2" lg, alloy	2	\$1.49 ea
8	H434	plug, vent, hexco, 1/2"	1	\$4.48 ea
9	E516	switch, rocker, 3 position	1	\$14.99 ea
10	E533	power cord, end, 25', 16/3	1	\$35.49 ea
11	H220	filing, strain relief, cord	1	\$3.19 ea
12	H221	nut, lock, 1/2" steel	1	\$1.99 ea
13	H389	screw, #10-32 x 1/2" SHCS, alloy	2	\$0.99 ea
14	H612	washer, #8 flat, s/s	2	\$0.99 ea
15	G209	hole cover, GFI, air mover	2	\$2.49 ea
16	H307	washer, star, 1/4" steel zinc	1	\$0.99 ea
17	A955A	guard, side, squirrel cage air mover - no plastic ring	1	\$57.99 ea
18	H273	nut, kep, #10-32 zinc	2	\$0.99 ea
19	H768	bolt, 1/4-20 x 3/4" serrated hex flange, zinc	4	\$0.99 ea
20	C335	motor, low amp (2.4A), 1/3 HP, 2 speed, 115V	1	\$147.99 ea
21	P718	housing, air mover squirrel cage	1	\$154.99 ea
22	H289	washer, #10 flat, s/s	4	\$0.99 ea
23	G087	bumper w/ built in washer (rubber foot)	2	\$0.99 ea
24	H458	nut, lock, 10-32, thin pattern	2	\$0.99 ea
25	H339	front guard, squirrel cage air mover	1	\$12.99 ea
26	H216	nut, lock, 1/4-20 nylon insert	2	\$0.99 ea
27	H202	bolt, 1/4-20 x 3/4" hex head, s/s	2	\$0.99 ea
28	H323	blower wheel, 9", squirrel cage air mover	1	\$46.49 ea
29	P705	ring, plastic, mytee dry	1	\$13.49 ea
30	A956A	guard, side, squirrel cage air mover - no plastic ring	1	\$10.49 ea
31	H343	screw, #10 x 5/8" hex head, zinc	4	\$0.99 ea

mytee	PRODUCTS, INC.
886675197	
DATE	2/25/11
NAME	
DESIGNED BY	J. Corp.
CHECKED	
TITLE:	
Mytee-Dry	
Air mover, w/handle	
SIZE	DWG. NO.
C	2200H
REV	
SCALE: 1:1	
SHEET 1 OF 1	

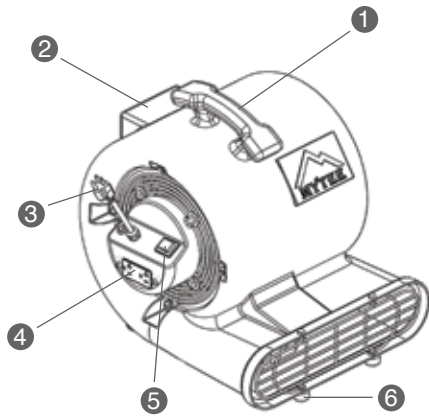
FOR THE BUYER'S INFORMATION:  
 THIS DRAWING IS THE PROPERTY OF  
 MYTEE PRODUCTS, INC. AND IS TO BE USED  
 FOR REPRODUCTION OF THIS DRAWING AS A WHOLE  
 WITHOUT THE WRITTEN PERMISSION OF  
 MYTEE PRODUCTS, INC.



Title: Mytee-Dry Model #: 2200H		Mytee Products 1665 Snow Dr. Pomona, CA 92564-6873 USA	
Size: Letter	Number:	Revision:	
Date: 11/30/2010	Time: 3:19:26 PM	Sheet	of
File: C:\Compaies\GH\Projects\Mytee Schematics\Mytee-Dry 2200 SCHDOC			

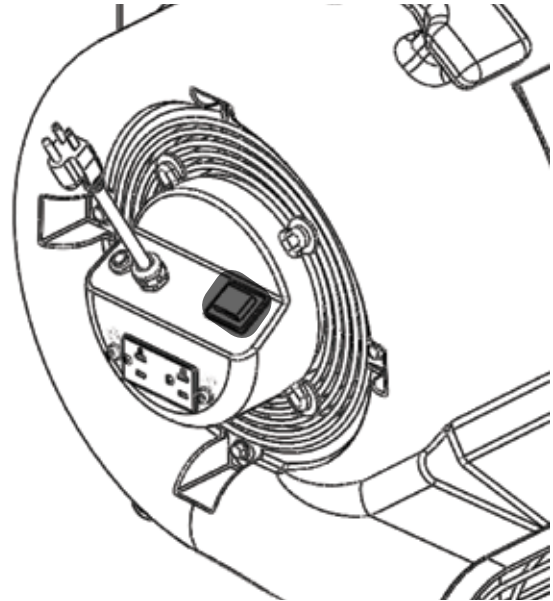


## 2200-GFI MYTEE DRY™ FRONT



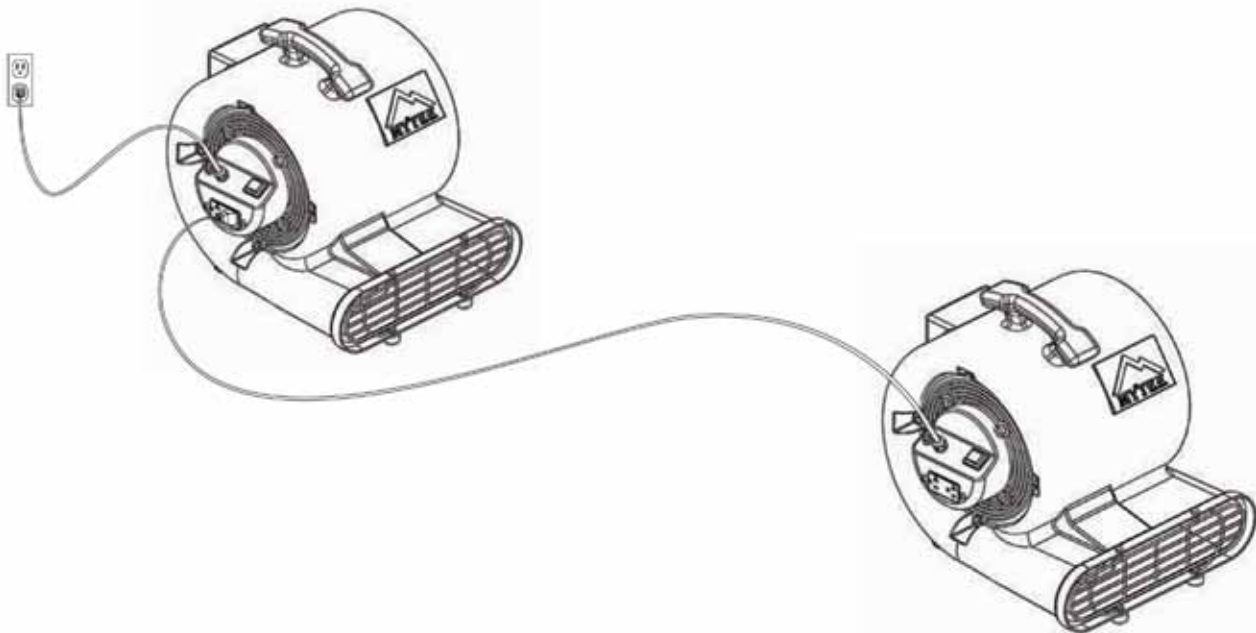
1. Carry handle with stacking feature
2. Inserts for luggage-style transport handle (optional)
3. 25' power cord
4. GFI daisy chain outlet
5. Speed selection switch
6. Non-marking soft feet

## 2200-GFI SWITCH



Speed selection switch, choose: speed 1, speed 2 or off.

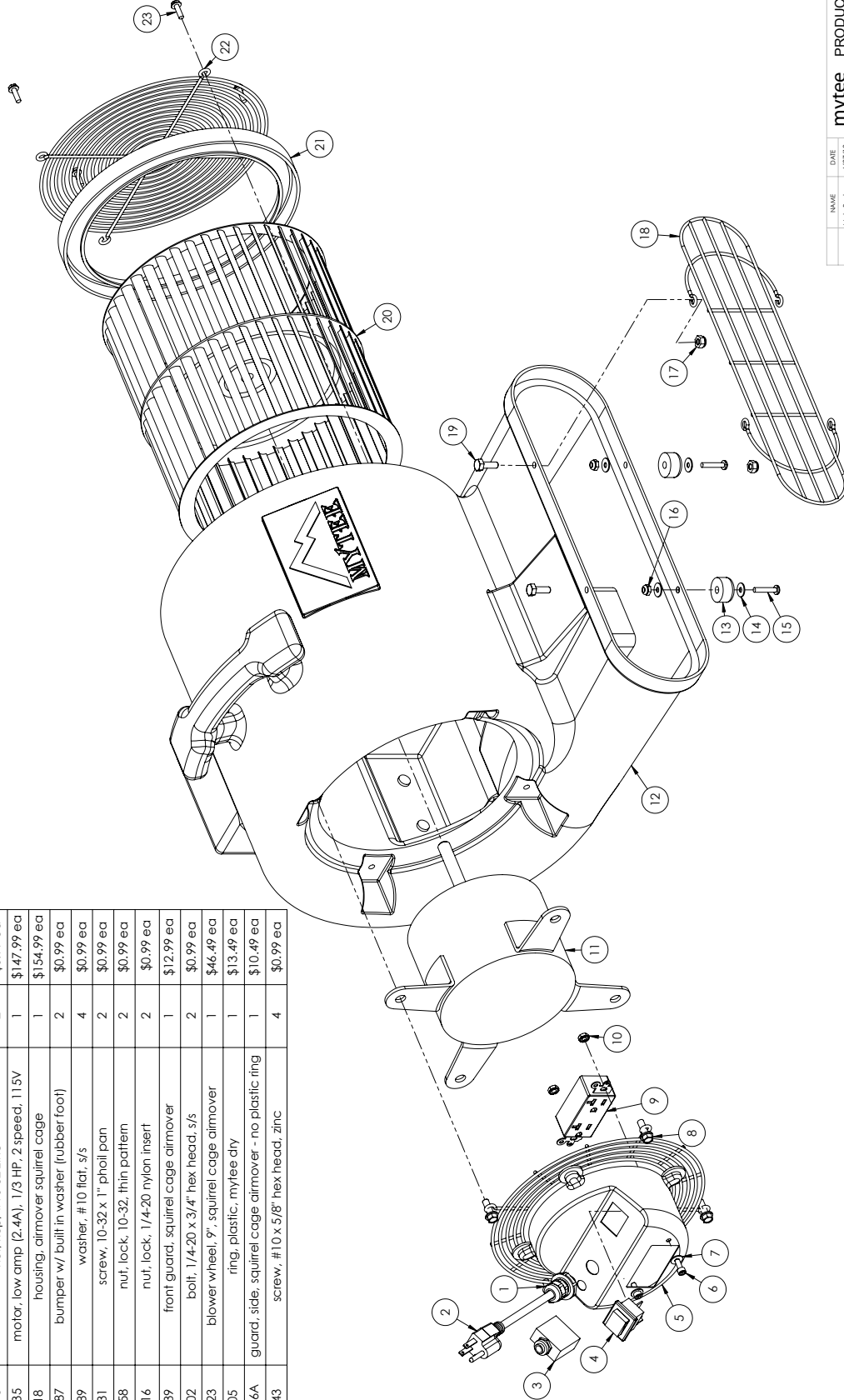
## 2200-GFI MULTI-UNIT DAISY CHAIN



Each 2200-GFI Airmover has a built-in outlet allowing other 2200-GFI Airmovers to connect forming a chain. This method allows you to run up to five 2200-GFI Airmovers on a single 15 amp power outlet. Great for situations where available power is limited.



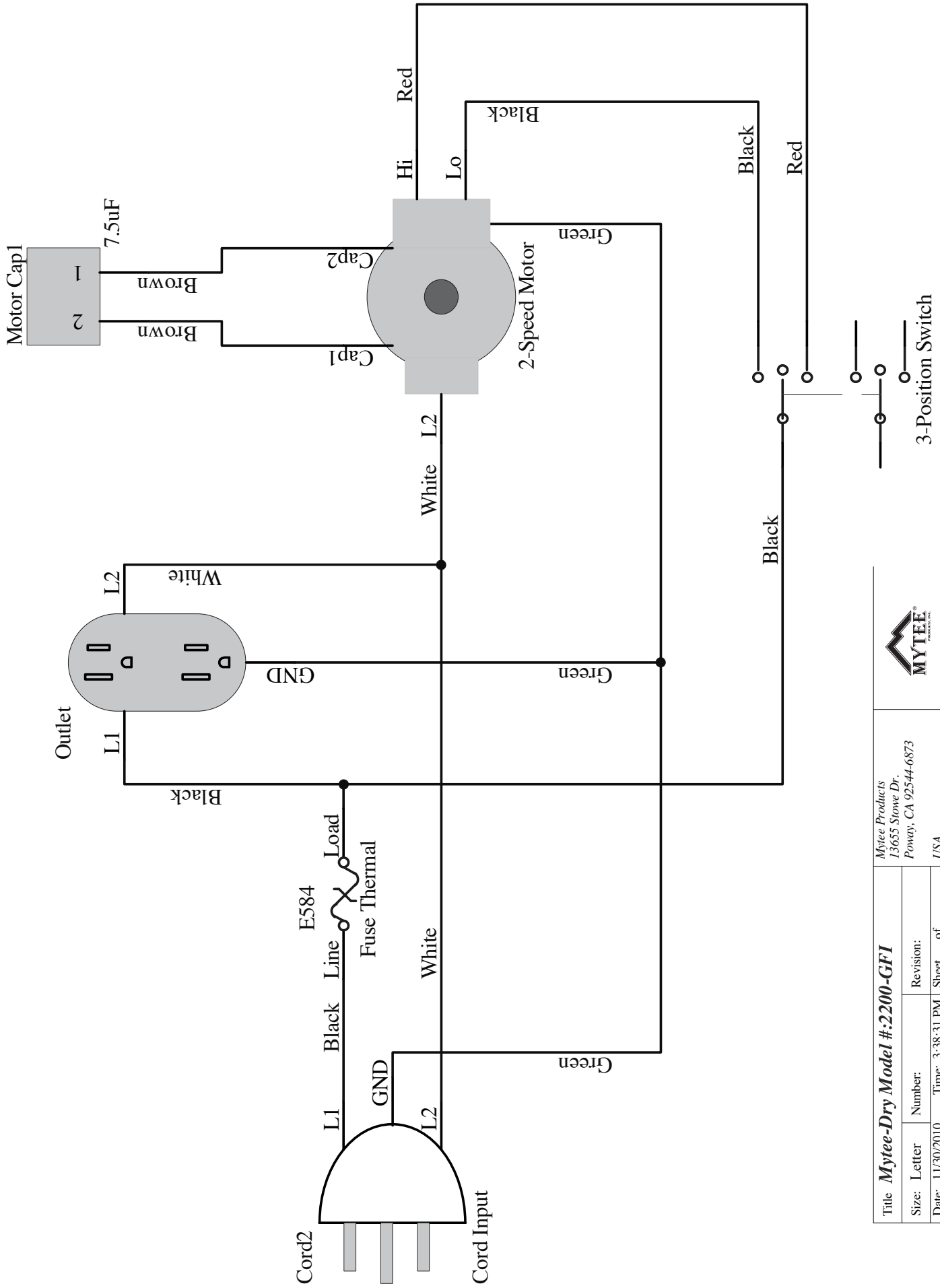
ITEM NO.	PART NO.	DESCRIPTION	QTY.	MSRP
1	H857	relief, strain, axial fans	1	\$3.49 ea
2	E533	power cord, end, 25', 16/3	1	\$35.49 ea
3	E584	circuit breaker, 12Amp	1	\$17.99 ea
4	E515	switch, rocker, 2 position	1	\$13.99 ea
5	A955A	guard, side, squirrel cage air mover - no plastic ring	1	\$57.99 ea
6	H389	screw, # 10-32 x 1/2", SHCS, alloy	2	\$0.99 ea
7	H612	washer, #8 flat, s/s	2	\$0.99 ea
8	H768	bolt, 1/4-20 x 3/4", serrated hex flange, zinc	4	\$0.99 ea
9	E910	receptacle, 15mp GFI, black	1	\$33.99 ea
10	H273	nut, kep, #10-32 zinc	2	\$0.99 ea
11	C335	motor, low amp (2.4A), 1/3 HP, 2 speed, 115V	1	\$147.99 ea
12	P718	housing, air mover squirrel cage	1	\$154.99 ea
13	G087	bumper w/ built in washer (rubber foot)	2	\$0.99 ea
14	H289	washer, #10 flat, s/s	4	\$0.99 ea
15	H231	screw, 10-32 x 1" phillip pan	2	\$0.99 ea
16	H458	nut, lock, 10-32, thin pattern	2	\$0.99 ea
17	H216	nut, lock, 1/4-20 nylon insert	2	\$0.99 ea
18	H339	front guard, squirrel cage air mover	1	\$12.99 ea
19	H202	bolt, 1/4-20 x 3/4" hex head, s/s	2	\$0.99 ea
20	H323	blower wheel, 9", squirrel cage air mover	1	\$46.49 ea
21	P705	ring, plastic, mytee dry	1	\$13.49 ea
22	A956A	guard, side, squirrel cage air mover - no plastic ring	1	\$10.49 ea
23	H343	screw, #10 x 5/8" hex head, zinc	4	\$0.99 ea



mytee PRODUCTS, INC. 88697191	NAME M. Liberman	DATE 4/27/10
TITLE: <b>Airmover, Squirrel Cage</b>		
SIZE DWG. NO. <b>C 2200 GFI</b>	REV <b>OD</b>	SCALE: 1:3
SHEET 1 OF 1		

THIS DRAWING IS THE PROPERTY OF MYTEE PRODUCTS, INC. AND IS NOT TO BE REPRODUCED OR TRANSMITTED IN ANY FORM OR BY ANY MEANS, ELECTRONIC OR MECHANICAL, INCLUDING PHOTOCOPYING, RECORDING, OR BY ANY INFORMATION STORAGE AND RETRIEVAL SYSTEM, WITHOUT THE WRITTEN PERMISSION OF MYTEE PRODUCTS, INC.

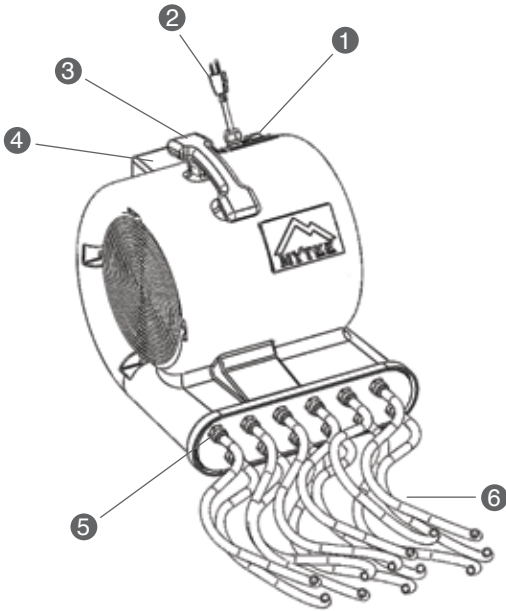
# 2200-GFI MYTEE-DRY™



Title <b>Mytee-Dry Model #:2200-GFI</b>		Mytee Products 13655 Stone Dr. Poway, CA 92544-6873	
Size: Letter	Number:	Revision:	
Date: 11/30/2010	Time: 3:38:31 PM	Sheet	of
File: C:\Comaines\GHIVProjects\Mytee Schematics\2200-GFI\2200-GFI.SCHDOC		USA	

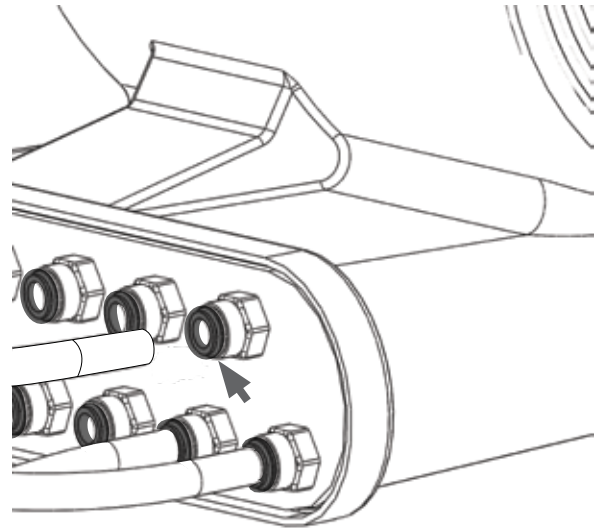


2300 FRONT



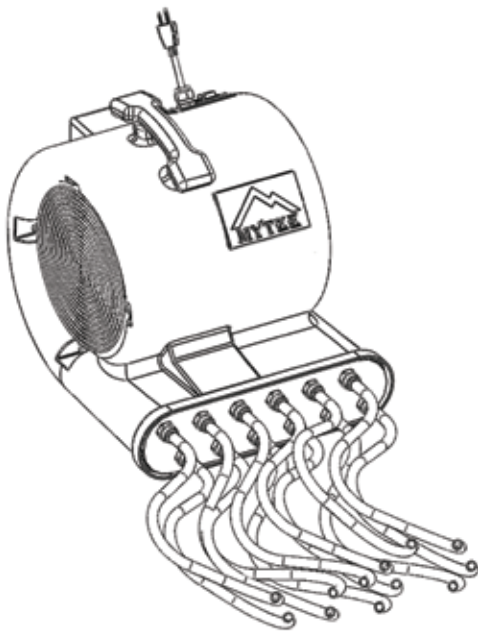
1. On/Off Switch
2. 25' Power Cord
3. Carry Handle With Stacking Feature
4. Inserts For Luggage-style Transport Handle (optional)
5. Fittings
6. Tubing

2300 FITTINGS



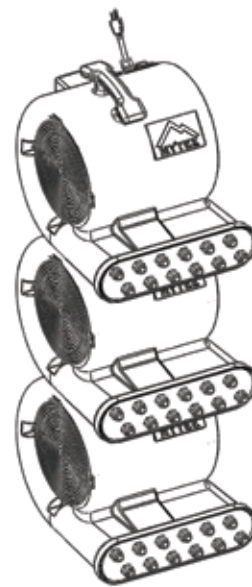
Attach tubing into the desired fitting. To remove, first push in and **hold** dark grey quick disconnect ring (look at arrow), then while holding ring pull tube to detach.

2300 PERFORMANCE



Do not block any of the Whisper Dry™ outlets. Over heating may occur.

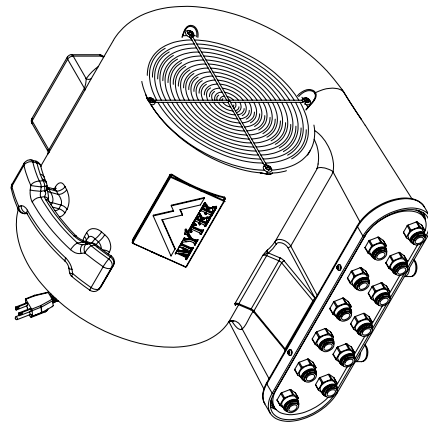
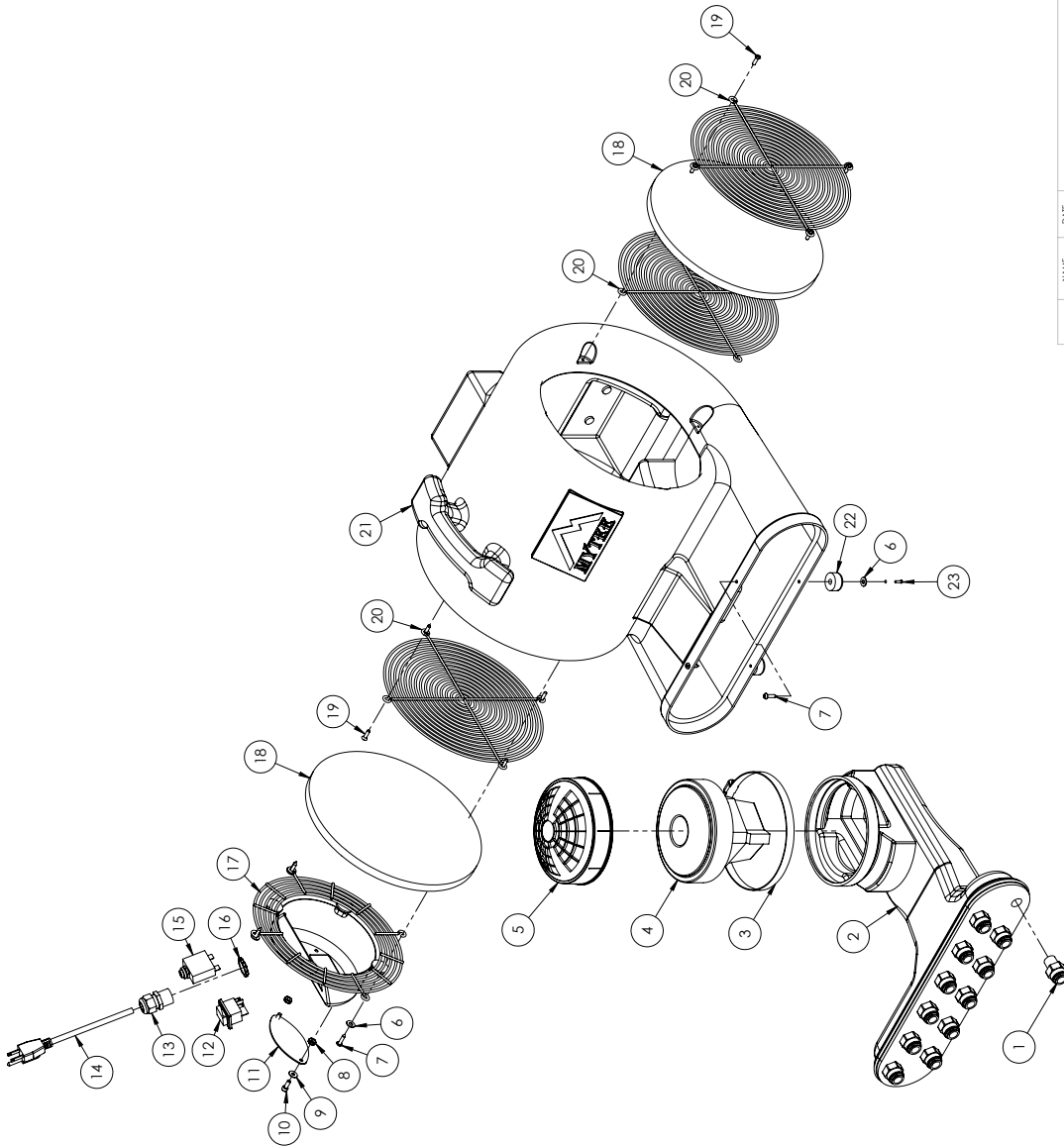
STORAGE



Stack for storage and transport. Optional dolly (2202) and luggage style transport handle (2201) also available.

# 2300 WHISPER-DRY™

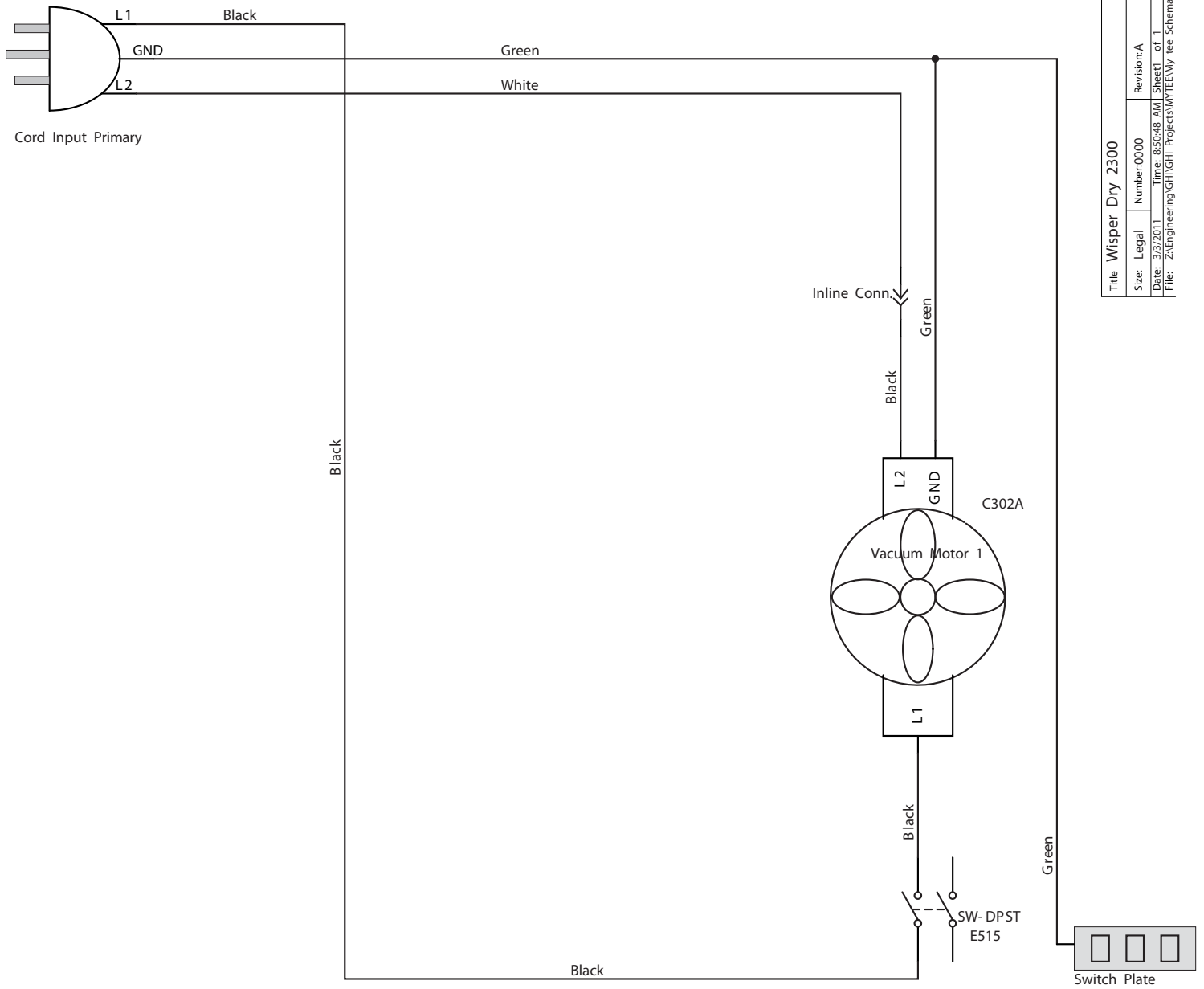
ITEM NO.	PART NO.	DESCRIPTION	QTY.	MSRP
1	B134	filing, 3/8 mpi x 1/2" push-in	12	\$18.99 ea
2	P553	vac motor adapter, whisper-dry	1	\$29.99 ea
3	B307	clamp, 6.5" dia	1	\$8.49 ea
4	C321	motor, 1-1 stage, whisper-dry	1	\$153.99 ea
5	BVH	Bac Vac Hepa filler-dome assy. w/guard	1	\$47.99 ea
6	H289	washer, 10 flat, s/s	6	\$0.99 ea
7	H179	screw, #8 x 1-1/4 phill pan	6	\$0.99 ea
8	H273	nut, kep. #10-32 zinc	2	\$0.99 ea
9	H612	washer, #8 flat, s/s	2	\$0.99 ea
10	G209	screw, #10-32 x 1/2" SHCS, alloy	2	\$0.99 ea
11	E515	hole cover, GFI, airmover	1	\$2.49 ea
12	H220	switch, rocker, 2 position	1	\$13.99 ea
13	H220	filing, strain relief, cord	1	\$3.19 ea
14	E533	power cord, end, 25', 1 6/3	1	\$35.49 ea
15	E584	circuit breaker, 12Amp	1	\$17.99 ea
16	H221	nut, lock, 1/2" steel	1	\$1.99 ea
17	A955A	guard, side, squirrel cage airmover - no plastic ring	1	\$57.99 ea
18	G053	disk, foam, whisper-dry	2	\$21.99 ea
19	H304	screw, #8 x 5/8 phill oval, s/s	8	\$0.99 ea
20	A956A	guard, side, squirrel cage airmover - no plastic ring	3	\$10.49 ea
21	P718	housing, airmover squirrel cage	1	\$154.99 ea
22	G087	bumper w/ built in washer (rubber foot)	2	\$0.99 ea
23	H179	screw, 8 x 1-1/4" phill pan	2	\$0.99 ea




NAME	DATE	mytee	PRODUCTS, INC.
DRAWN	4/27/10	M. Lobbers	
CHECKED			
TITLE		whisper-dry, airmover	
PROPRIETARY AND CONFIDENTIAL		THIS INFORMATION CONTAINED IN THIS DRAWING IS THE PROPERTY OF MYTEE PRODUCTS, INC. ANY REUSE OR REPRODUCTION OF THIS INFORMATION WITHOUT THE WRITTEN PERMISSION OF MYTEE PRODUCTS, INC. IS PROHIBITED.	
SIZE	DWG. NO.	REV	
C	2300		
SCALE: 1:5			SHEET 1 OF 1

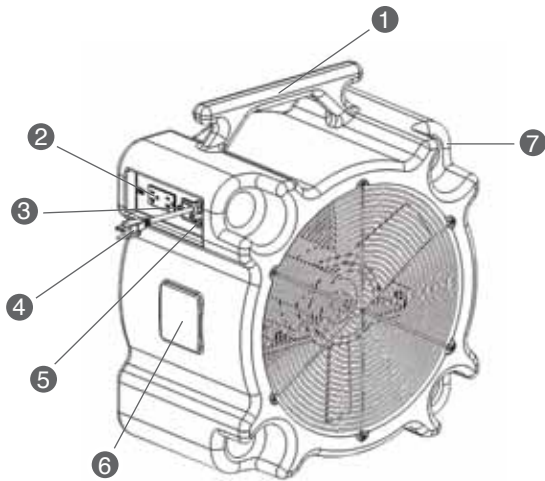
Order parts at: [www.mytee.com/products/product.php?id=2300](http://www.mytee.com/products/product.php?id=2300)

Part prices are subject to change.



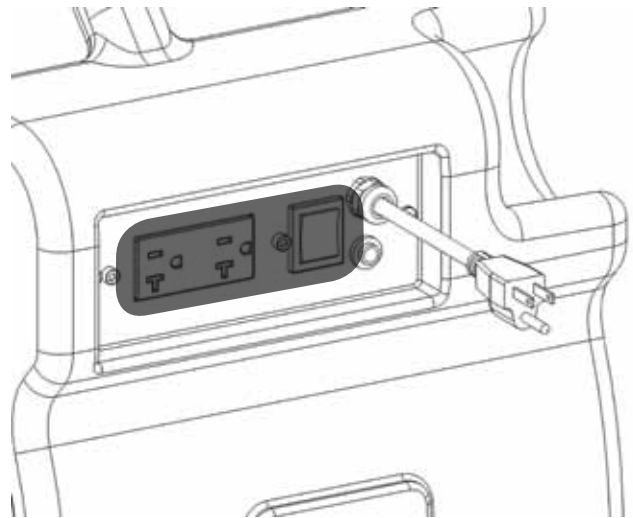
			
Mytee Products 13655 Stowe Dr. Poway, CA 92064			
Title Whisper Dry 2300	Legal Number:0000	Revision:A	Sheet of 1
Date: 3/3/2011    Time: 8:50:48 AM    File: Z:\Engineering\GH\GH1 Projects\MYTEE\My tee Schematics\2300\2300 Schematics.SCHDOC			

## 3000 FRONT



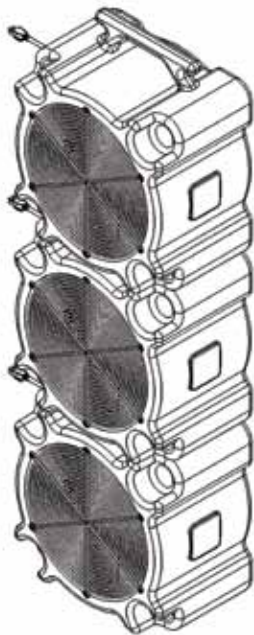
1. Carry Handle
2. Daisy Chain GFI Outlet
3. Power Switch
4. 25' Power Cord
5. 12 AMP Safety Circuit Breaker
6. Inserts for Luggage-style transport handle (optional)
7. Stacking Feature

## 3000 SWITCH



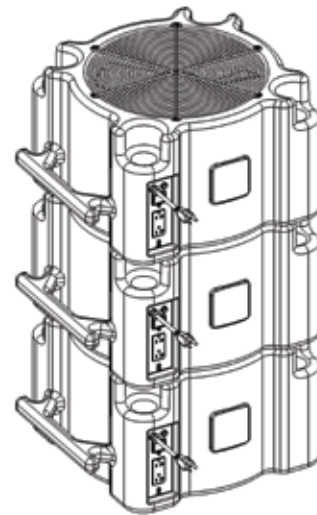
Power switch and GFI outlet.

## 3000 STACK FOR OPERATION



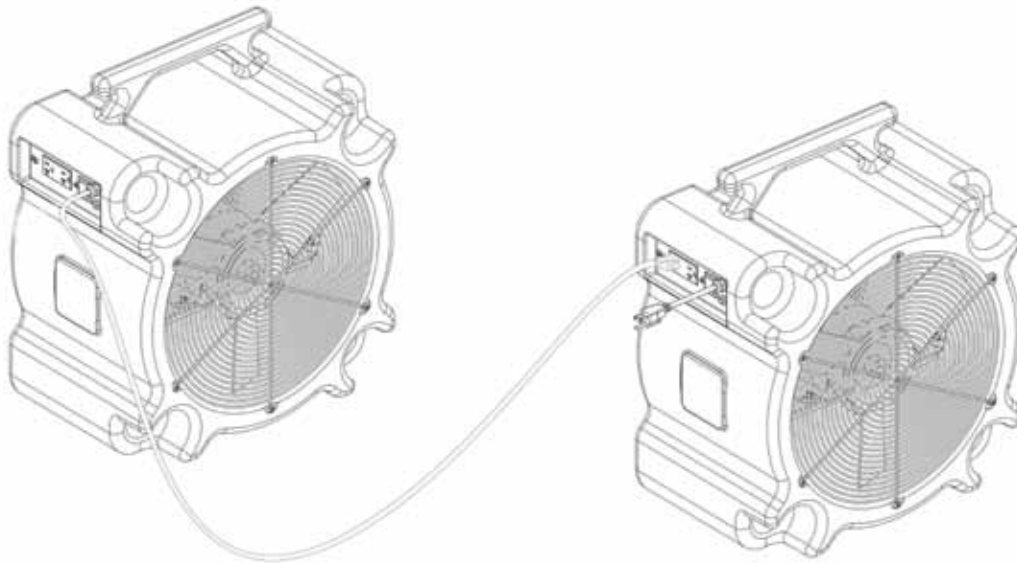
Stack units to create "Wall of air."

## 3000 STACK FOR STORAGE



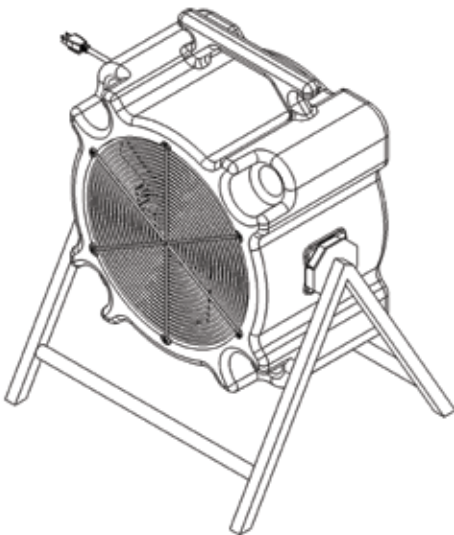
Interlock for easy stacking, storage and transport.

3000 MULTI-UNIT DAISY CHAIN



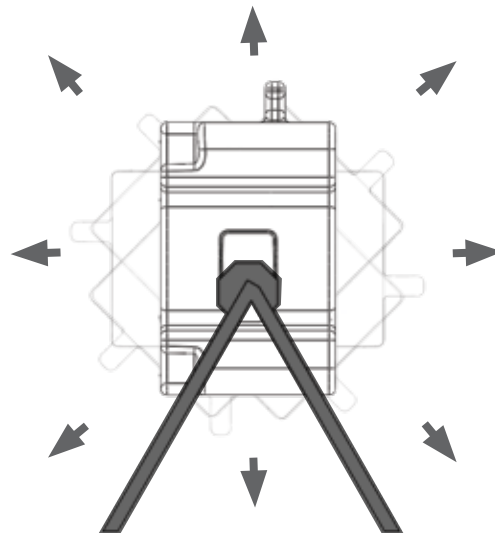
Each 3000 has a built-in outlet allowing other Tradewinds™ to connect forming a chain. This method allows you to run up to six Tradewinds™ on a single 15 amp power outlet. Great for situations where available power is limited.

3000 AIR MOVEMENT



Use 3000 to direct air across a room (shown on optional stand).

8 AIRFLOW DIRECTIONS



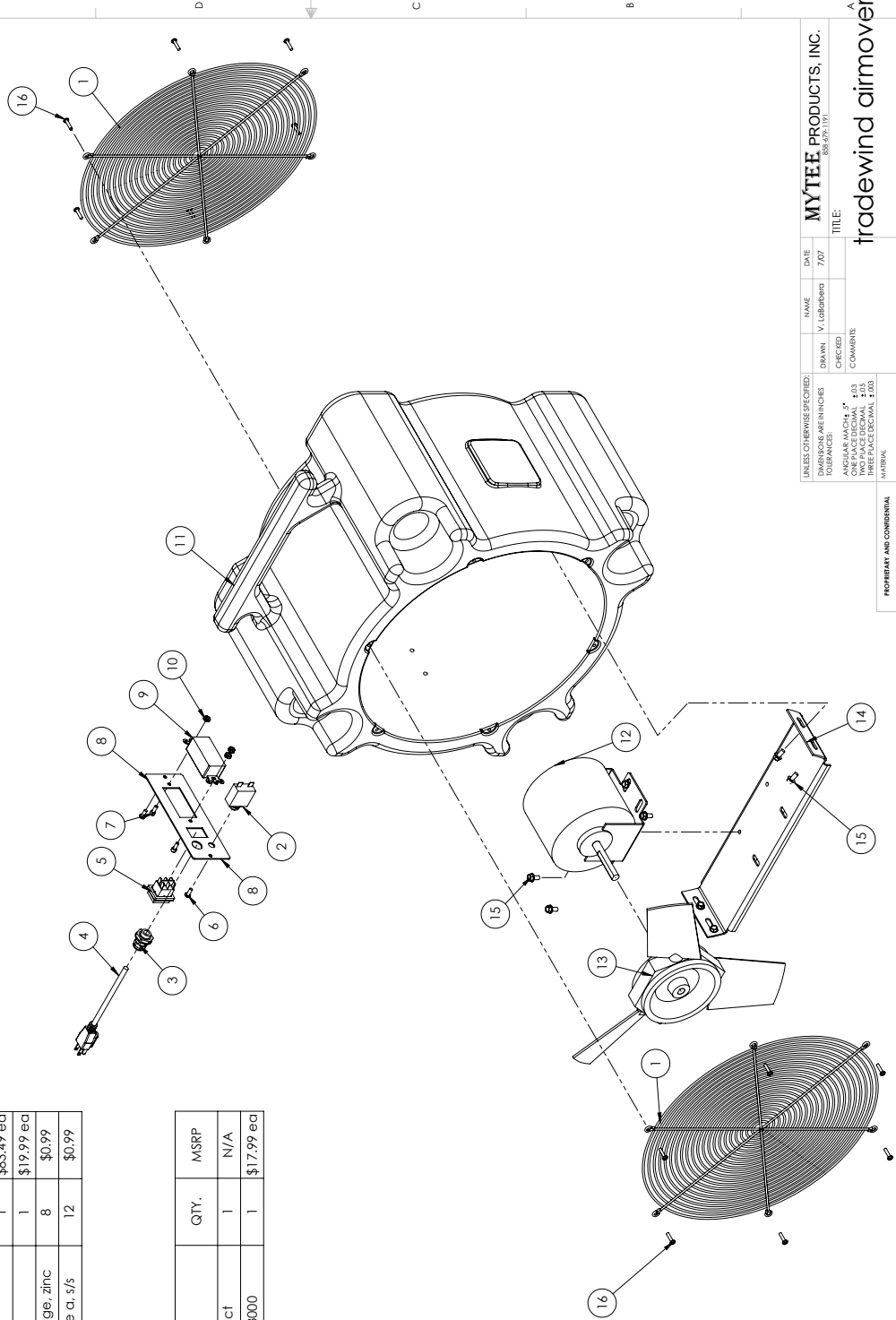
With the optional stand (3002), the 3000 has the ability to direct air in eight different directions.

# 3000 TRADEWIND™

REVISIONS			
REV.	DESCRIPTION	DATE	APPROVED
OD	ORIGINAL DRAFT	4/11/11	J Cash
A	CHANGED H20 FOR H209	3/8/12	D Como
B	CHANGED H304 WITH H882	4/6/12	D Como

ITEM NO.	PART NO.	DESCRIPTION	QTY.	MSRP
1	H930	guard, 16" axial fan	2	\$30.99 ea
2	E584	circuit breaker, 12Amp	1	\$17.99 ea
3	H857	relief, strain, axial fans	1	\$3.49 ea
4	E533	power cord, end, 25', 16/3	1	\$35.49 ea
5	E516	switch, rocker, 3 position	1	\$14.99 ea
6	H389	screw, #10-32 x 1/2" SHCS, alloy	2	\$0.99
7	H950	switch plate, airmover (II)	1	\$17.99 ea
8	E910	receptacle, 15mp GFI, black	1	\$33.99 ea
9	H273	nut, kep. #10-32 zinc	3	\$0.99 ea
10	P960	housing, axial fan, blkgran	1	\$119.99 ea
11	C-382	motor, 1/4HP, 115 volts	1	\$116.99 ea
12	H928	fan, 3 blade	1	\$83.49 ea
13	H521	mount, motor, tradewind	1	\$19.99 ea
14	H770	bolt, 1/4-20 x 1/2" serrated hex flange, zinc	8	\$0.99
15	H882	screw, 8 x 3/4 phil pan head, type a, 3/s	12	\$0.99

ITEM NO.	PART NO.	DESCRIPTION	QTY.	MSRP
1	AD127	stop sign, register your product	1	N/A
2	ADM-3000	manual, tradewind airmover 3000	1	\$17.99 ea



UNLESS OTHERWISE SPECIFIED:	NAME	DATE
DIMENSIONS ARE IN INCHES	V. LIBERANDO	7/07
TOLERANCES:	DRAWN	CHECKED
ANGULARS MAXIMUM ±10		COMMENTS:
BY TWO PLACE DECIMAL ±10		
BY THREE PLACE DECIMAL ±100		

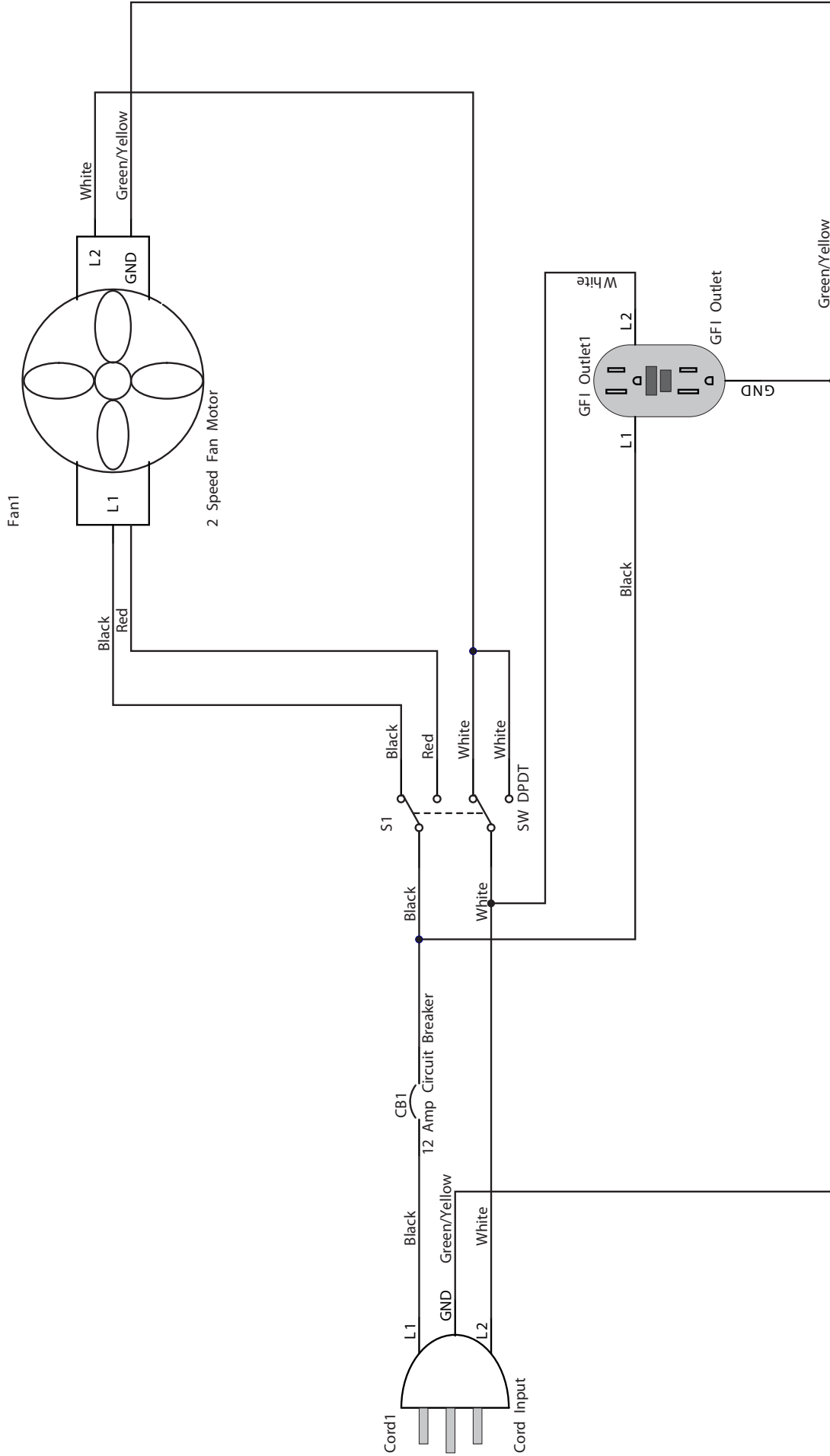
**PROPERTY AND COMMERCIAL RIGHTS:**  
 THIS DRAWING IS THE SOLE PROPERTY OF MYTEE PRODUCTS, INC. ANY REPRODUCTION IN PART OR AS A WHOLE WITHOUT THE WRITTEN PERMISSION OF MYTEE PRODUCTS, INC. IS PROHIBITED.

**MYTEE PRODUCTS, INC.**  
 tradewind airmover

SIZE DWG. NO. **3000** REV **B**

SCALE: 1:1.6 SHEET 1 OF 1





Title: Tradewind 3000		Mytee Products 13655 Stowe Dr. Poway, CA 92544-6873	
Size: Letter	Number:	Revision:	
Date: 2/2/2007	Time: 2:01:36 PM	Sheet	of
File: C:\GH1 - Projects\MYTEE\Docum ents\Tradewind 3000.SCHDOC		USA	



# GENERAL INFORMATION

## Dear Customer:

Congratulations on the purchase of your new 2200, 2200H, 2200-GFI Mytee-Dry™, 2300 Whisper-Dry™ or 3000 Tradewind™. As you are already aware, the scene of the equipment world is becoming more high tech, and we at Mytee Products, Inc. strive to keep you on the cutting edge with superior quality and technology.

Keep in mind that the 2200, 2200H, 2200-GFI Mytee-Dry™, 2300 Whisper-Dry™ or 3000 Tradewind™ is a machine, so neglect or abuse will cause unnecessary damage and void the warranty. However, with simple maintenance, the 2200, 2200H, 2200-GFI Mytee-Dry™, 2300 Whisper-Dry™ or 3000 Tradewind™ will give quality performance for many years to come.

If warranty questions arise, please consult your user manual or get in touch with your distributor. If you have questions about maintenance, replacing parts or ordering parts, please call an authorized Mytee Products, Inc. Service Center. To see an updated list, visit our website at [www.mytee.com](http://www.mytee.com)

Before you begin using, please read your manual thoroughly.

Sincerely,  
Mytee Customer Care Dept.

## Grounding Instructions

This machine must be grounded. If it should malfunction or breakdown, grounding provides a path of least resistance for electrical shock. This 2200, 2200H, 2200-GFI, 2300, and 3000 is equipped with a cord having an equipment-grounding conductor and grounding plug. The plug must be plugged into an appropriate outlet that is properly installed in accordance with all local code and ordinances. Do not remove ground pin; if missing, replace plug before use.



### DANGER

Improper connection of the equipment-grounding conductor can result in a risk of electrical shock. Check with a qualified electrician or service person if you doubt the outlet is properly grounded. Do not modify the plug provided with the machine. If it will not fit the outlet, have a proper outlet installed by a qualified electrician.

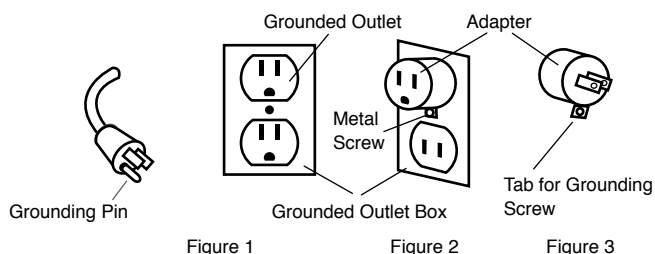
This appliance is for use on a nominal 120-volt circuit, and has a grounding plug that looks like the plug illustrated in Figure 1 below. A temporary adapter illustrated in Figures 2 and 3 may be used to connect this plug to a 2-pole receptacle as shown in Figure 2 if a properly grounded outlet is not available. The temporary adapter should be used only until a properly grounded outlet (Figure 1) can be installed by a qualified electrician. The green colored rigid ear, tab or the like extending from the adapter must be connected to a permanent ground such as a properly grounded outlet box cover. Whenever the adapter is used, it must be held in place by a metal screw. Grounding adapters are not approved for use in Canada.

Replace the plug if the grounding pin is damaged or broken.

The green (or green/yellow) wire in the cord is the grounding wire. When replacing a plug, this wire must be attached to the grounding pin only.

DO NOT use extension cords.

### Please note for America use only



## Parts and Service

Repairs, when required, should be performed by Mytee service personnel or Mytee authorized Service Center using Mytee original replacement parts and accessories. Call Mytee for repair parts or service. Please specify the model and serial number when discussing your machine.

## Name Plate

The model and serial number of your machine are shown on the name plate located on the inside of the machine. This information is needed when ordering repair parts for the machine. Use the space provided on the front cover to note the model and serial number of your machine for future reference.

## Unpacking the Machine

When the machine is delivered, carefully inspect the shipping carton and the machine for damage. If damage is evident, save the shipping carton so it can be inspected by the carrier that delivered it. Contact the carrier immediately to file a freight damage claim.

## Caution and Warnings

### Symbols

Mytee uses the symbols below to signal potentially dangerous conditions. Always read this information carefully and take the necessary steps to protect personnel and property.



### DANGER

Is used to warn of immediate hazards that will cause severe personal injury or death.



### WARNING

Is used to call attention to a situation that could cause severe personal injury.



### CAUTION

Is used to call attention to a situation that could cause minor personal injury or damage to the machine or other property. When using an electrical appliance, basic precautions should always be followed, including reading all instructions before using this machine. This product is intended for commercial use only.



### WARNING

To reduce the risk of fire, electrical shock or injury:

1. Read all instructions before using equipment.
2. Use only as described in this manual. Use only manufacturer's recommended attachments.
3. Always unplug power cord from electrical outlet before attempting any adjustments or repairs.
4. Do not unplug by pulling on cord. To unplug, grasp the plug, not the cord.
5. Do not pull or carry by cord. Do not close a door on cord or pull cord around sharp edges or corners.
6. Do not run appliance over cord. Keep cord away from heated surfaces.
7. Do not use with damaged cord or plug. If cord is damaged, repair immediately.
8. Do not use outdoors or on wet surfaces and or standing water.
9. Always unplug or disconnect the appliance from power supply when not in use.
10. Do not allow to be used as a toy. Close attention is necessary when used by or near children.
11. Do not use in areas where flammable or combustible material may be present.
12. Do not leave the unit exposed to harsh weather elements. Temperatures below freezing may damage components and void warranty.
13. Use only the appropriate handles to move and lift unit. Do not use any other parts of this machine for this purpose.
14. Keep hair, loose clothing, fingers and all parts of the body away from all openings and moving parts.
15. Use extra care when using on stairs.
16. To reduce the risk of fire or electric shock, do not use this machine with a solid-state speed control device.
17. The voltage and frequency indicated on the name plate must correspond to the wall receptacle supply voltage.
18. When cleaning and servicing the machine, local or national regulations may apply to the safe disposal of liquids which may contain: chemicals, grease, oil, acid, alkalines or other dangerous liquids.
19. Do not leave operating unattended.

## Operating Instructions

1. Plug into appropriate outlet. Inspect cord and plug for any damage.
2. Place unit in the desired operating position.
3. Turn switch to desired speed setting.
4. Check unit for proper operation before leaving unattended.
5. Upon completion of job, clean unit and wrap cords.

## After Use

1. Unplug.
2. Inspect power cord and replace if damaged.
3. Clean grills and intakes. Keeping all intakes free of dirt and debris will keep the unit operating properly. Clogged grills can lead to reduced airflow, and motor overheating.
4. Clean exterior.
5. Store the machine in a clean, dry place. Never wet motor or wiring.

## Maintenance Schedule

Maintenance item	Daily	Once a week
Check grill for obstructions.	x	
Check power supply cable.	x	
Clean machine with all purpose cleaner and cloth.	x	
Clean unit with compressed air.		x

## Trouble Shooting

### There is no power.

1. Plug machine in proper outlet.
2. If switch is damaged replace switch.
3. Replace or repair loose wire.
4. Replace damaged motor.

### Excessive noise.

1. If motor shaft is bent, repair or replace motor.
2. If fan is damaged, repair or replace fan.

### Air flow is weak.

1. If intake or grill clogged clean unit.

## FAQs

### Q: How much does the unit weigh and what are the shipping dimensions?

- 2200 Mytee-Dry™** - 28 Pounds - Box dimensions are 19 3/4" x 17 1/4" x 19"  
**2200H Mytee-Dry™** - 33 Pounds - Box dimensions are 22 1/4" x 17" x 18 3/4"  
**2200-GFI Mytee-Dry™** - 29 pounds - Box dimensions are 19 3/4" x 17 1/4" x 19"  
**2300 Whisper-Dry™** - 20 pounds - Box dimensions are 19 3/4" x 17 1/4" x 19"  
**3000 Tradewind™** - 35 pounds - Box dimensions are 20 1/4" x 13 1/2" x 22 1/4"

### Q: Where do I plug the machine in?

A: The unit requires a grounded circuit.

### Q: Is there anything I can do to increase the expected life of my machine?

A: Use compressed air periodically to blow out dirt and debris from the inside of the housing and motor. Allowing the blower to build up dirt and debris, you will reduce the effectiveness of the unit, as well as risk cross contamination between jobs.

## Warranty

### MYTEE LIMITED WARRANTY POLICY

Mytee Products, Inc. endeavors to provide high quality products and product support to its customers and therefore backs up all of its new products purchased from Mytee Products Inc. ("Mytee") or any authorized Mytee distributor/service center with this limited warranty. This limited warranty begins on the date of the customer's purchase and is valid and available to the original purchaser only. Mytee's products are for commercial use only and are not intended for personal, family or household uses.

HOWEVER, OTHER THAN SET FORTH HEREIN, MYTEE GIVES NO WARRANTY, EXPRESS OR IMPLIED, AS TO DESCRIPTION, QUALITY, MERCHANTABILITY, FITNESS FOR ANY PARTICULAR PURPOSE, PRODUCTIVENESS, INFRINGEMENT, OR OTHER MATTER, OF ANY GOODS WHICH MYTEE SHALL SUPPLY. THERE ARE NO WARRANTIES WHICH EXTEND BEYOND THE DESCRIPTION ON THE FACE HEREOF. MYTEE SHALL IN NO WAY BE RESPONSIBLE FOR THE PROPER USE AND APPLICATION OF THE GOODS. MYTEE NEITHER ASSUMES NOR AUTHORIZES ANY OTHER PERSON TO ASSUME FOR MYTEE ANY OTHER LIABILITY IN CONNECTION WITH THE SALE OF MYTEE'S GOODS. THIS LIMITED WARRANTY POLICY MAY BE CHANGED OR WITHDRAWN BY MYTEE AT ANY TIME WITHOUT NOTICE.

**WEAR PARTS 90-DAY LIMITED WARRANTY:** Mytee will replace all wear parts for 90 days from the date of original purchase. "Wear parts" are items which wear out as a result of usage or the passage of time and are consumed despite attempts to maintain them, such as gaskets, wheels, brass, cords, wires, electrical terminals, hoses, switches, thermostats, plastisol parts, filters, bearings, brushes, solenoids, o-rings, bulbs, heating elements, castors, or other parts deemed wear items in Mytee's sole discretion. This warranty covers the cost of replacement only and does not cover shipping or labor costs.

**PUMP, VACUUM MOTOR AND HEATER 2-YEAR LIMITED WARRANTY:** Mytee warrants that pumps, vacuum and floor machine motors, and heaters will be free from manufacturing defects, defects in workmanship, and defects in material for two (2) years from the date of original purchase. This warranty does not apply and is void if the pump, vacuum motor, or heater has worn brush motors, water damage, chemical build-up, chemical damage, or evidence of abuse, neglect or tampering.

This warranty covers the cost of replacement or repair only and does not cover shipping or labor costs.

**HOUSING LIFETIME LIMITED WARRANTY:** Mytee warrants that rotationally molded housing and tanks will be free from manufacturing defects, defects in workmanship, and defects in material for the life of the part. Replacement cost does not include the cost of shipping or labor.

**LIMITATION OF DAMAGES:** THE REMEDY OF REPLACEMENT OR REPAIR OF ANY DEFECTIVE GOODS SHALL BE THE EXCLUSIVE REMEDY UNDER ANY WARRANTY MADE BY MYTEE, WHETHER EXPRESS OR IMPLIED. IN NO EVENT SHALL MYTEE BE LIABLE FOR ANY INCIDENTAL OR CONSEQUENTIAL DAMAGES, PROPERTY DAMAGES, OR PERSONAL INJURIES.

All limited warranties are void for, and Mytee does not warrant in any way, any product that evidences misapplication, improper installation, abuse, lack of maintenance, negligence in use or care, abnormal use, alteration of design, use of incompatible or corrosive chemicals, use in a rental service, and/or servicing, installation of parts, or repairs by anyone other than Mytee or a Mytee authorized distributor or service center. Mytee may make changes in products it manufactures and markets at any time; these changes are made without obligation to change, retrofit, or upgrade any product previously sold or manufactured.

Mytee has no obligation to honor the limited warranties set forth herein unless the original purchaser, promptly upon discovering the warranty claim and prior to continuing to use the product, contacts Mytee or a Mytee authorized distributor or service center to describe the claim and to receive and follow instructions for documenting and resolving the claim. In addition, the purchaser must provide the product to which the claim applies to Mytee or a Mytee authorized distributor or service center for a thorough inspection.

If any provision or portion of this limited warranty policy is found to be unenforceable, then the remaining provisions and portions shall remain valid and enforceable. If any provision or portion of this limited warranty policy is found to be limited by law, then that provision or portion shall be construed to make it effective within the bounds of law. For example, if there are legal limitations on the duration of warranties, the warranties made herein shall be construed to have the minimum duration required by law, or, if there are legal limitations of exclusion of remedies, the exclusions made herein shall be construed to apply to the fullest extent possible without violating the law.

The validity, construction and performance of this warranty policy shall be governed by the laws of the State of California, without respect to conflicts of laws principles. The exclusive jurisdiction of any legal action arising from or related to this warranty policy shall be in the State of California and no legal action shall be commenced elsewhere.

## Return Material Authorization Procedure

It is the responsibility of any Authorized Service Center (ASC) or Distributor with written authorization to ensure the Customers equipment is repaired as soon as possible. Only Mytee Products Inc. or it's authorized dealers with written authorization, service centers, and agents may make warranty repairs on these products. All others do so at their own risk and expense.

The Distributor must follow Mytee Products, Inc. standard RMA procedure:

1. When a repair falls within the Warranty time period for a piece of equipment, the Distributor will fill out a RMA/Warranty claim form. This form will act as a repair order to replace any defective parts.
2. All defective parts must be returned to Mytee Products, Inc. with the RMA/claim form for evaluation at the customer's expense. This shipping is non-refundable. All warranty claims are subject to an evaluation by Mytee Products, Inc. to determine if warranty will be approved. Any credit for repair and/or parts will only be issued upon evaluation and approval from Mytee Products, Inc.
3. When Warranty is approved, the Distributor's account will be credited for the replacement part(s). Mytee Products, Inc. will ship the warranted replacement part(s) to the Distributor prepaid. If Warranty is denied the Distributor's account will not be credited for any parts sent for this claim.

# NOTES



Mytee Products Inc.  
13655 Stowe Dr.  
Poway, Ca. 92064  
[www.mytee.com](http://www.mytee.com)  
PH 858.679.1191  
FX 858.679.7814

© 2011 Mytee Products Inc.  
Printed in the U.S.A.

# IMPORTANT SAFETY INSTRUCTIONS

When using an electrical appliance, basic precautions should always be followed, including the following:

READ ALL INSTRUCTIONS BEFORE USING 2200 Mytee-Dry

## WARNING

To reduce the risk of fire, electric shock, or injury:

1. Read all instructions before using equipment.
2. Use only as described in this manual. Use only manufacturer's recommended attachments.
3. Always unplug power cord from electrical outlet before attempting any adjustments or repairs.
4. Do not unplug by pulling on cord. To unplug, grasp the plug, not the cord.
5. This product employs a Ground Fault Circuit Interrupter (GFCI). If the GFCI is de-activated, this indicates a ground fault, unplug and check the supply cord and product. If no damage is visible, reset the device by pressing the reset button. If the GFCI de-activates again, a hazardous condition may be present and the product should be discarded or returned to an authorized service facility for examination and/or repair.
6. Do not pull or carry by cord. Do not close a door on cord or pull cord around sharp edges or corners.
7. Do not run appliance over cord. Keep cord away from heated surfaces.
8. Do not run cord under carpeting. Do not cover cord with throw rugs, runners, or similar coverings. Arrange cord away from traffic area and where it will not be tripped over.
9. Do not operate any fan with a damaged cord or plug. Discard fan or return to an authorized service facility for examination and/or repair.
10. Do not use outdoors or on wet surfaces and or standing water.
11. Always unplug or disconnect the appliance from power supply when not in use.
12. Do not allow to be used as a toy. Close attention is necessary when used by or near children.
13. Do not use in areas where flammable or combustible material may be present.
14. Do not leave the unit exposed to harsh weather elements. Temperatures below freezing may damage components and void warranty.
15. Use only the appropriate handles to move and lift unit. Do not use any other parts of this machine for this purpose.
16. Keep hair, loose clothing, fingers, and all parts of the body away from all openings and moving parts.
17. Use extra care when using on stairs.
18. To reduce the risk of fire or electric shock, do not use this machine with a solid state speed control device.
19. The voltage and frequency indicated on the name plate must correspond to the wall receptacle supply voltage.
20. When cleaning and servicing the machine, local or national regulations may apply to the safe disposal of liquids which may contain: chemicals, grease, oil, acid, alkalines, or other dangerous liquids.
21. Connect to a properly grounded GFCI outlet only. See Grounding Instructions

## SAVE THESE INSTRUCTIONS

## GROUNDING INSTRUCTIONS

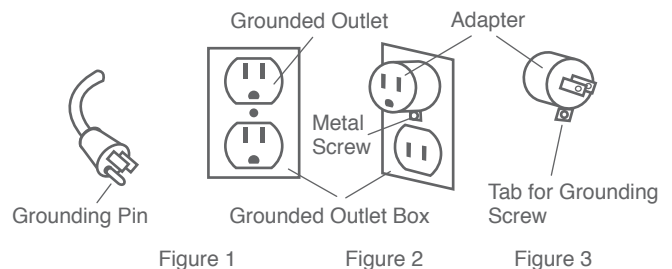
This appliance must be grounded. If it should malfunction or break down, grounding provides a path of least resistance for electric current to reduce the risk of electric shock. This appliance is equipped with a cord having an equipment-grounding conductor and grounding plug. The plug must be inserted into an appropriate outlet that is properly installed and grounded in accordance with all local codes and ordinances.

**WARNING-** Improper connection of the equipment-grounding conductor can result in a risk of electric shock. Check with a qualified electrician or service person if you are in doubt as to whether the outlet is properly grounded. Do not modify the plug provided with the appliance. If it will not fit the outlet, have a proper outlet installed by a qualified electrician.

Replace the plug if the grounding pin is damaged or broken.

### Please note for America use only.

This appliance is for use on a nominal 120-volt circuit, and has a grounded plug that looks like the plug illustrated in Figure 1. A temporary adaptor that looks like the adaptor illustrated in Figures 2 and 3 may be used to connect this plug to a 2-pole receptacle as shown in Figure 2 if a properly grounded outlet is not available. The temporary adaptor should be used only until a properly grounded outlet (Figure 1) can be installed by a qualified electrician. The green colored rigid ear, lug, or the like extending from the adaptor must be connected to a permanent ground such as a properly grounded outlet box cover. Whenever the adaptor is used, it must be held in place by a metal screw.



**Note: In Canada, the use of a temporary adaptor is not permitted by the Canadian Electrical Code.**

# IMPORTANTES MESURES DE SÉCURITÉ

L'utilisation d'un appareil électrique demande certaines précautions :

LIRE TOUTES LES INSTRUCTIONS AVANT DE FAIRE FONCTIONNER  
2200 Mytee-Dry

## AVERTISSEMENT.

Pour réduire les risques d'incendie, de choc électrique ou de blessure:

1. Lisez toutes les instructions avant d'utiliser l'équipement.
2. Utiliser uniquement comme décrit dans ce manuel. Utilisez seulement recommandée par le fabricant de pièces jointes.
3. Toujours débrancher le cordon d'alimentation de la prise électrique avant de tenter des ajustements ou des réparations.
4. Ne pas débrancher l'appareil en tirant sur le cordon. Pour le débrancher, saisissez la fiche, non sur le cordon.
5. Ce produit utilise une Ground Fault Circuit interrupteur (GFCI). Si le GFCI est désactivée, cela indique un défaut de terre, et de débrancher le cordon d'alimentation de vérifier et de produits. Si aucun dommage n'est visible, réinitialiser l'appareil en appuyant sur le bouton de réinitialisation. Si le GFCI de-active à nouveau, une situation dangereuse mai et être présent, le produit doit être jeté ou retourné à un centre de service autorisé pour l'examen et / ou de réparation.
6. Ne pas tirer ou faire procéder par le cordon. Ne pas fermer une porte sur le cordon ou tirez le cordon autour de coins ou d'arêtes vives.
7. Ne pas rouler l'appareil sur le cordon. Garder le cordon loin des surfaces chaudes.
8. Ne lancez pas le cordon sous la moquette. Ne pas couvrir le cordon avec de tapis, les couvreurs, ou des couvertures. Disposez le cordon loin de la circulation et où il ne sera pas déclenché plus de.
9. Ne pas faire fonctionner tout fan avec un cordon endommagé ou la fiche. Jeter un ventilateur ou d'une autorisation de retour de service pour examen et / ou de réparation.
10. Ne pas utiliser en plein air ou sur des surfaces mouillées et / ou de l'eau.
11. Toujours débrancher l'appareil ou de l'alimentation lorsqu'il n'est pas utilisé.
12. Ne pas permettre aux enfants de jouer avec l'appareil. Une attention particulière est nécessaire lorsque l'appareil est utilisé par des enfants ou à proximité de ces derniers.
13. Ne pas utiliser dans les zones où les matières inflammables ou combustibles mai être présent.
14. Ne laissez pas l'appareil exposé à des conditions météorologiques éléments. Les températures au-dessous de zéro mai composants dommages et annuler la garantie.
15. Utilisez uniquement des poignées pour soulever et déplacer l'unité. Ne pas utiliser d'autres pièces de cette machine à cette fin.
16. Maintenir les cheveux, les vêtements amples, les doigts et toutes les parties du corps à l'écart des ouvertures et des pièces mobiles.
17. User de prudence lors du nettoyage des escaliers.
18. Pour réduire le risque d'incendie ou de choc électrique, ne pas utiliser cette machine avec un solide dispositif de contrôle de vitesse.
19. La tension et la fréquence indiquées sur la plaque d'identification doit correspondre à la tension d'alimentation murale.
20. Lors du nettoyage et l'entretien de la machine, locaux ou nationaux mai règlements s'appliquent à l'élimination des liquides qui contiennent mai: les produits chimiques, graisses, huiles, acides, alcalins, ou d'autres liquides dangereux.
21. Ne brancher qu'à une prise de courant GFCI avec mise à la terre. Voir les instructions visant la mise à la terre.

## CONSERVER CES INSTRUCTIONS

## INSTRUCTIONS VISANT LA MISE À LA TERRE

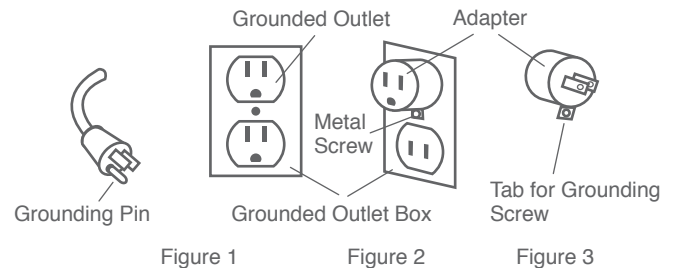
Cet appareil doit être mis à la terre. En cas de panne ou de mauvais fonctionnement, la mise à la terre permet au courant électrique d'emprunter un chemin de résistance minimale pour réduire le risque de choc électrique. Le cordon électrique de l'appareil comporte un conducteur de terre et une fiche de mise à la terre. Cette fiche doit être insérée dans une prise de courant mise à la terre et installée conformément aux codes et aux règlements locaux.

**MISE EN GARDE** - Il existe un risque de choc électrique si le conducteur de terre est mal connecté. Consulter un électricien ou un technicien de service qualifié si vous avez des doutes sur la mise à la terre de la prise de courant. Ne pas modifier la fiche du cordon électrique de l'appareil; si elle ne convient pas à la prise de courant, faire installer une prise convenable par un électricien qualifié.

Remplacer la fiche si la broche de terre est endommagé ou cassé

### S'il vous plaît noter que l'utilisation pour l'Amérique.

Cet appareil est destiné à un circuit de 120 V et est muni d'une fiche de terre semblable à celle illustrée par la figure 1. Un adaptateur temporaire semblable à celui illustré par les figures 2 et 3 peut être utilisé pour brancher cette fiche à une prise bipolaire comme l'illustre le figure 2 si une prise avec mise à la terre n'est pas disponible. L'adaptateur temporaire devrait être utilisé seulement jusqu'à ce qu'une prise avec mise à la terre soit installée par un électricien qualifié. L'oreille rigide ou le crochet ou autre dispositif semblable, de couleur verte, prolongeant l'adaptateur doit être raccordé à un élément correctement mis à la terre comme le couvercle d'une boîte de sortie mise à la terre. L'adaptateur doit être fixé par une vis métallique.



**Note: Au Canada, l'utilisation d'un adaptateur temporaire n'est pas autorisée par le Code canadien de l'électricité.**