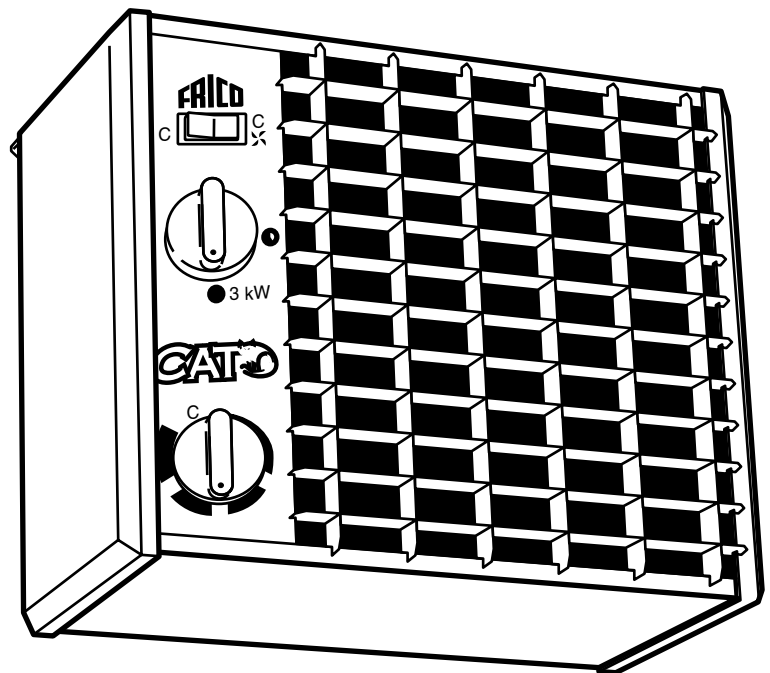


Original instructions

CAT



SE ... 5

GB ... 7

NO ... 9

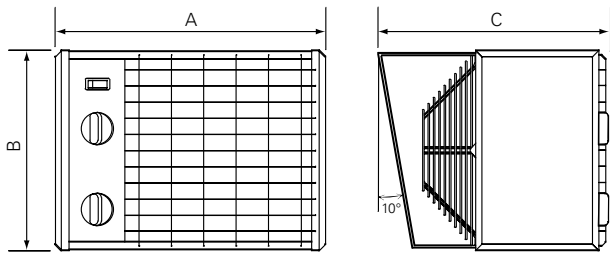
FR ... 11

DE ... 13

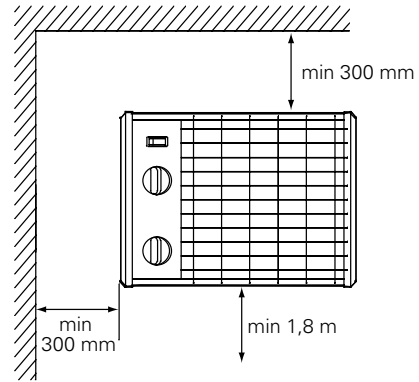
FI ... 15

NL ... 17

RU ... 19

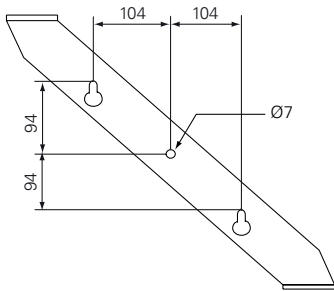


	A [mm]	B [mm]	C [mm]
C3	335	255	276
C5	335	255	276
C9	405	315	335



Minimum distance in a permanent assembly

C3 - C5



C9

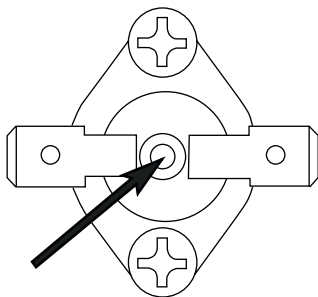
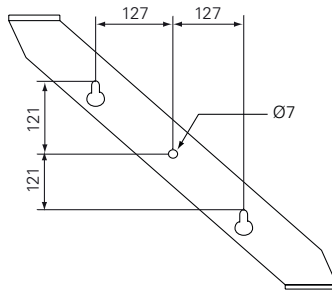


Fig. 1

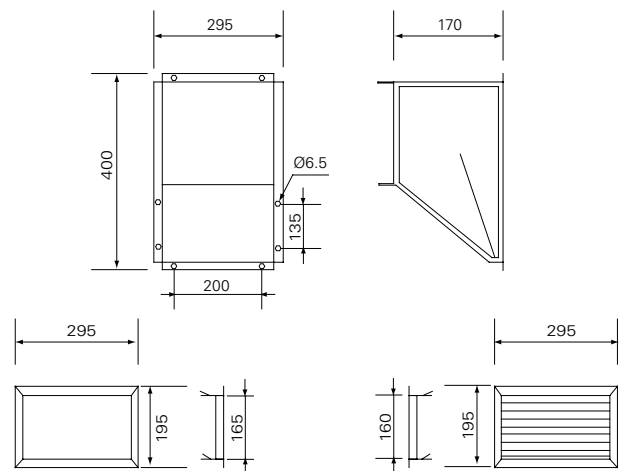
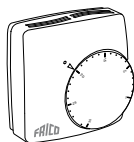


Fig 2. Mixing cabinet (accessory)

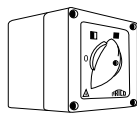
Accessories



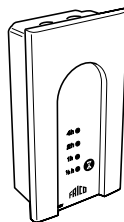
T10S



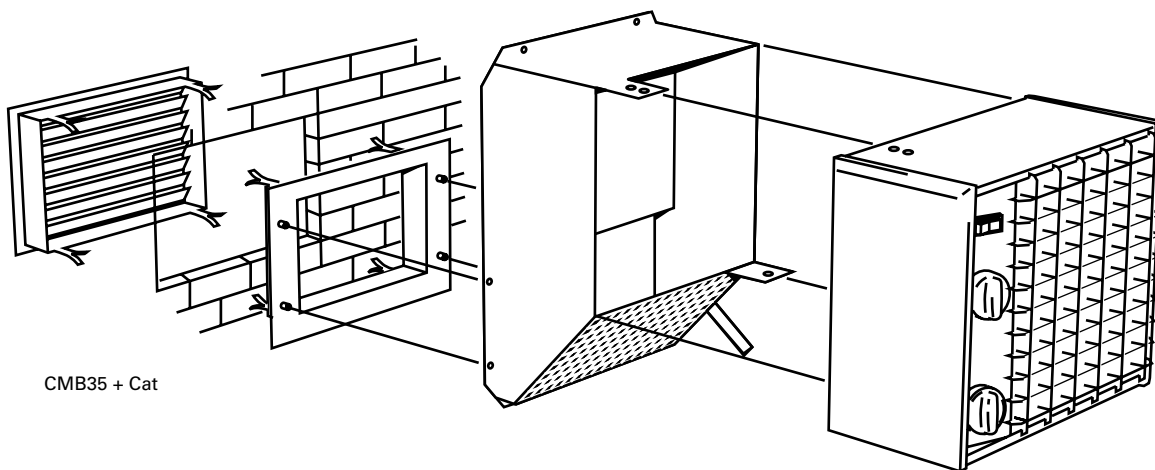
TK10S



EV300



CBT



CMB35 + Cat

Typ	E-nr (SE)	RSK-nr (SE)	EL-nr (NO)	NRF-nr (NO)	HxBxD [mm]
T10S	85 809 33	672 84 99	54 911 12	85 024 49	80x80x31
TK10S	85 809 34	672 85 00	54 911 13	85 024 51	80x80x31
EV300	87 513 93		54 910 57		100x80x90
CBT	87 511 87		54 312 02	85 021 79	155x87x43
CMB35	87 112 20		49 306 10		400x295x170
TP3/5			49 306 90		
TP9			49 306 10		

CAT

Technical data

Type	E-nr (SE)	EL-nr (NO)	Output steps [kW]	Airflow [m ³ /h]	Sound level* ¹ [dB(A)]	Δt * ² [°C]	Voltage [V]	Amperage [A]	HxWxD [mm]	Weight [kg]
C3	87 111 03	49 306 13	0/1.5/3	280	41	32	230V~/400V3N~* ³	13.2/4.4	255x335x276	6.3
C5	87 111 05	49 306 15	0/2.5/5	480	40	31	400V3N~	7.3	255x335x276	6.7
C9	87 111 09	49 306 19	0/4.5/9	720	44	37	400V3N~	13.1	315x405x335	10.2

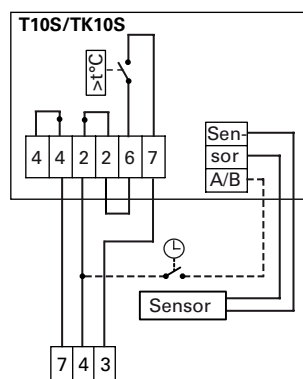
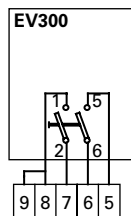
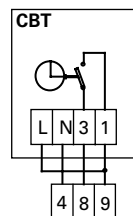
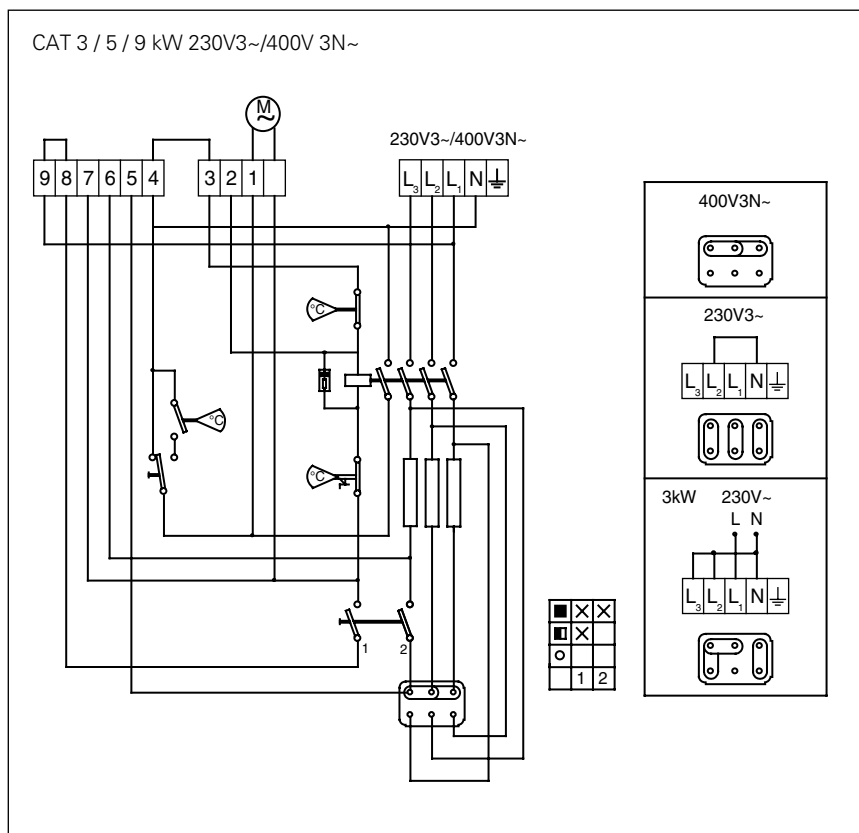
*¹) Conditions: Distance to the unit: 3 metres. Directional factor: 2. Equivalent absorption area: 200 m².

*²) Δt = temperature rise of passing air at maximum heat output.

*³) C3 can be connected for 230V~ and 400V3N~. Other models should not be connected for single phase, 230V~.

Protection class Cat: (IP44), splash-proof design.

CE compliant.



Assembly and operating instructions

General Instructions

Read these instructions carefully before installation and use. Keep this manual for future reference.

The product may only be used as set out in the assembly and operating instructions. The guarantee is only valid if the product is used in the manner intended and in accordance with the instructions.

Application area

Cat is a range of compact and quiet fan heaters for stationary use. It is ideally suited for small stockrooms, in a garage, workshop or shop.

The mixing cabinet (accessory) allows heating and ventilation to be combined, through mixing the return air and outdoor air.

Protection class: IP44

Electrical Installation

The installation should be permanent and carried out by a qualified technician according to applicable directives. The installation should be preceded by a fully isolating switch with at least a 3 mm gap and preferably fitted with a status lamp.

The Cat fan heater is intended for permanent installation. The knockouts at the rear of the unit are used to connect accessories. C3 can also be connected to single phase (230V~). On the back of the appliance there are knock-outs. Cable-glands used must guarantee the protection class requirements!

The heaters can be connected for either 230V3~ and 400V3N~. Note! Other models cannot be connected for single phase.

Start-up (E)

When the unit is used for the first time or after a long period of disuse, smoke or odour may result from dust or dirt that has collected on the element. This is completely normal and disappears after a short time.

Assembly

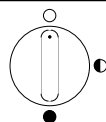
The Cat fan heater is mounted on a wall and has a fixed tilt angle, 10° downwards, which gives balanced and good heat distribution

- Note that the minimum distances as set out in the figure on page 2 must be maintained.
- The unit must be installed with the connection area to the left, as seen from the front.
- Mark out and drill the holes for the screws as set out in the diagram on page 2.
- Screw in the screws for the keyholes so that approximately 10 mm remains.
- Hang-up the unit and tighten the screws.
- Screw in the last screw.

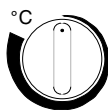
Installation with mixing cabinet

Mixing cabinet CMB35 fits C3 and C5. The mixing cabinet is available as an accessory and consists of an outer wall grille, a walling-in frame and a hand controller. The walling-in frame and outer wall grille are built or screwed to the wall. The mixing cabinet and the unit are then fitted. See diagram 2. The control lever consists of a fixture arm, a wall fixture, a ball and two adherent joints. A pull-rod is used between the joints (not included).

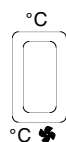
Function




Position of the output selector, see Technical data.



Toggle switch in position °C means the thermostat only controls the output, the fan runs continuously.



In position °C  the fan is controlled by a special thermostat, which only switches on the fan when the heat is on.

It is possible that the temperature limiter may have tripped during transport, if the unit does not function the first time it's switched on. Rectify as set out in the description under "Overheating". (Fig. 1)

Overheating

If the unit overheats the integrated temperature limiter will trip. Reset the temperature limiter after the unit has cooled and the fault rectified. (Fig. 1)

NOTE! All work inside the unit's connection area should be carried out by an authorized technical and the unit must be dead.

The temperature limiter is reset by removing the cover and pressing the button on the temperature limiter. (Fig. 1)

Care

The heater fans do not normally need any maintenance. Nevertheless, dirt and dust can cause overheating and represent a fire risk.

Accordingly, the unit should be cleaned regularly.

Residual current circuit breaker (E)

When the installation is protected by means of a residual current circuit breaker, which trips when the appliance is connected, this may be due to moisture in the heating element. When an appliance containing a heater element has not been used for a long period or stored in a damp environment, moisture can enter the element.

This should not be seen as a fault, but is simply rectified by connecting the appliance to the mains supply via a socket without a safety cut-out, so that the moisture can be eliminated from the element. The drying time can vary from a few hours to a few days. As a preventive measure, the unit should occasionally be run for a short time when it is not being used for extended periods of time.

Safety

- *For all installations of electrically heated products should a residual current circuit breaker 300 mA for fire protection be used.*
- *The unit has hot surfaces when running!*
- *The unit must not be positioned so that inflammable material can ignite!*
- *The unit must not be covered fully or partially with clothes or similar material, as overheating can result in a fire risk!*
- *The unit must not be placed directly under fixed wall sockets!*
- *This appliance is not intended for use by persons (including children) with reduced physical or mental capabilities, or lack of experience and knowledge, unless they have been given supervision or instruction concerning use of the appliance by a person responsible for their safety. Children should be supervised to ensure that they do not play with the appliance.*

Main office

Frico AB
Box 102
SE-433 22 Partille
Sweden

Tel: +46 31 336 86 00
Fax: +46 31 26 28 25
mailbox@frico.se
www.frico.se

**For latest updated information and information
about your local contact: www.frico.se**