

Installation and User Manual **Helo Ring DE**

ELECTRIC SAUNA HEATER:

1118-600-0405

1118-900-0405

CONTROL PANELS:

1601-12 (RA 12 Digi II)

1601-13 (RA 13 Digi I)

1601-16 (RA 16 Easy)

1601-18 (RA 18 Midi)



Contents

1. Quick instructions for use of the sauna heater	3
1.1. Check before taking a sauna bath	3
1.2. Operation of the sauna heater controls	3
2. Information for users	3
2.1. Sauna room	3
2.2. Recommended sauna room ventilation	4
2.3. Heating the sauna	4
2.4. Sauna heater stones	5
2.5. If the sauna heater will not heat up	5
3. Instructions for the installer	6
3.1. Preparing for sauna heater installation	6
3.2. Installation	6
3.3. Sauna heater safety clearances	7
3.4. Connection of the sauna heater to the mains	8
3.5. Electric heating toggle	8
3.6. Locating the connecting box for the connection cable in the sauna room	9
3.7. Principle image when Digi II is used as control panel	10
3.8. Wiring diagram	11
4. Helo Ring spare part list	12
5. ROHS	12

Images and tables

Image 1 Recommended sauna room ventilation	4
Image 2 Location for the connection box	9
Image 3 Principle image	10
Image 4 Wiring diagram for the sauna heater	11
Table 1 Safety clearances	7
Table 2 Connection cable and fuses	8

1. Quick instructions for use of the sauna heater

1.1. Check before taking a sauna bath

1. The sauna room is suitable for taking a sauna bath.
2. The door and the window are closed.
3. The sauna heater is topped with stones that comply with the manufacturer's recommendations, the heating elements are covered with stones, and the stones are piled sparsely.

NOTE! Ceramic rocks are not allowed.

A pleasant, smooth sauna bath temperature is about 70 °C degrees.

Rearrange the sauna stones at least once a year and replace any weathered stones. This enhances air circulation between the stones, which extends the useful life of the heating elements.

If you encounter any problems, please contact the manufacturer's warranty service shop.

For additional information about enjoying a sauna bath, please visit our website at www.helo.fi

1.2. Operation of the sauna heater controls

The main switch is located on the side of the sign at the bottom of the sauna heater.

The sign shows the position of the switch. (0 I)

Refer to the specific control panel operating instructions.

2. Information for users

Persons with reduced physical and mental capacity, sensory handicap, or little experience and knowledge about how the device is operated (e.g. children), should only operate the device while supervised or according to instructions given by the persons in charge of their safety.

Make sure that children aren't playing with the sauna heater.

2.1. Sauna room

The walls and ceiling of a sauna room should be thermally well insulated. All surfaces that store heat, such as tiled and plastered surfaces must be insulated. It is recommended to use wooden panel cladding inside the sauna room. If there are heat storage elements in the sauna room, such as decorative stone, glass etc., note that these elements may extend the pre-heating period even though the sauna room is otherwise well insulated (see page 6, section 3.1. Preparing for sauna heater installation).

2.2. Recommended sauna room ventilation

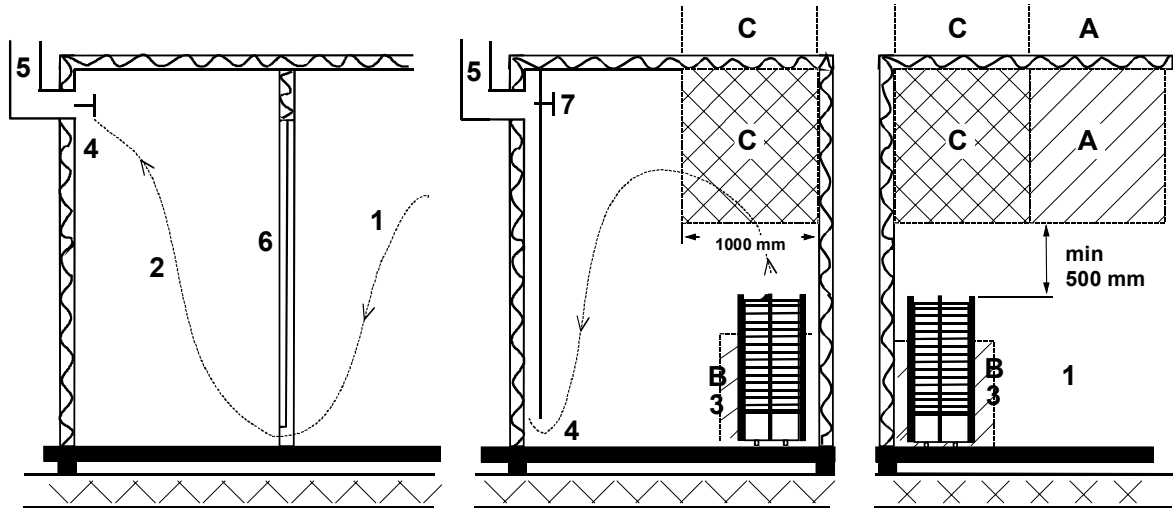


Image 1 Recommended sauna room ventilation

- | | | |
|--|--------------------------|----------------------------|
| 1. Sauna room | 3. Electric sauna heater | 5. Exhaust flue or channel |
| 2. Washroom | 4. Exhaust valve | 6. Door to the sauna room |
| 7. A ventilation valve can be installed here to be kept closed while the sauna is heated and during bathing. | | |

Inlet vent can be positioned in the A zone. Make sure the incoming fresh air will not interfere with (i.e. cool down) the sauna heater's thermostat near the ceiling.

The B zone serves as the incoming air zone, if the sauna room isn't fitted with forced ventilation. In this case, the exhaust valve is installed min 1m higher than the inlet valve.

DO NOT INSTALL INLET VALVE WITHIN ZONE C, IF THE SAUNA HEATER'S CONTROL THERMOSTAT IS LOCATED IN THE SAME ZONE.

2.3. Heating the sauna

Before turning the sauna heater on, make sure the sauna room is suitable for taking a sauna bath. When heated for the first time, the sauna heater may emit some odour. If you detect any odour while the sauna heater warms up, disconnect the sauna heater briefly, and air the room. Then you can turn the sauna heater on again.

The sauna heater is turned on from the control panel that has controls for the heating temperature and time.

The heating of a sauna should be started roughly an hour before you plan to take a sauna bath, so that the stones have time to heat up properly and the air warms up evenly in the sauna room.

Do not put any objects on the sauna heater. Do not dry clothes on the sauna heater or anywhere in its vicinity.

2.4. Sauna heater stones

Quality stones meet the following requirements:

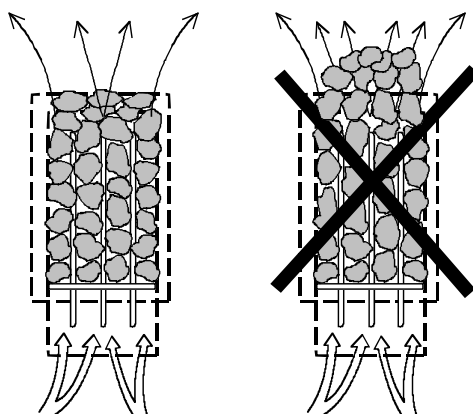
1. Sauna stones should withstand heat and heat variation caused by vaporisation of the water thrown on the stones.
2. Stones should be rinsed before use in order to avoid odour and dust.
3. Sauna stones should have an uneven surface to supply a larger surface for the water to evaporate from.
4. Sauna stones should be large enough, measuring about 50–80 mm to allow good ventilation between the stones. This extends the useful life of the heating elements.
5. Sauna stones should be piled sparsely in order to enhance ventilation between the stones. Do not bend the heating elements together or against the frame.

Rearrange the stones regularly (at least once a year) and replace small and broken stones with new, larger stones.

Stones are piled so that they cover the heating elements. Do not, however, pile a large heap of stones on the heating elements. For a sufficient amount of stones refer to Table 1 on page 7. Any small stones in the package of stones must not be piled on the sauna heater.

The warranty does not cover defects resulting from poor ventilation caused by small and tightly packed stones.

Ceramic rocks are not allowed. They may cause damage to the sauna heater that will not be covered by the warranty.



2.5. If the sauna heater will not heat up

If the sauna heater will not heat up, please check that:

- the power is on;
- the main fuses of the sauna heater are intact;
- is there any error messages on the control panel. In case of an error message on the control panel, please refer to the control panel instructions.

3. Instructions for the installer

THE PERSON INSTALLING THE SAUNA HEATER SHOULD LEAVE THESE INSTRUCTIONS AT THE PREMISES FOR THE FUTURE USER.

3.1. Preparing for sauna heater installation

Check the following before installing the sauna heater.

1. The ratio of the heater's input (kW) and the sauna room's volume (m³). Volume recommendations are presented in Table 1 on page 7. The minimum and maximum volumes must not be exceeded.
2. The sauna room height must be a min. of 1900 mm.
3. Uninsulated and masonry stone walls extend the preheating time. Each square metre of plastered ceiling or wall surface adds 1.5 – 2 m³ to the sauna room's volume.
4. Check page 8 Table 2 for a suitable fuse size (A) and the correct diameter of the power supply cable (mm²) for the sauna heater in question.
5. Conform to the specified safe clearance around the sauna heater. Please refer to Table 1 on page 7.
6. There should be enough room around the sauna heater for maintenance purposes. Also a doorway can be considered as a maintenance area.

3.2. Installation

Follow the safety clearance specifications on page 7 when installing the sauna heater.

The sauna heater is a floor-standing model. The base must be solid, because the sauna heater weighs about 75 kg.

The sauna heater is levelled by the adjustable legs.

The sauna heater is fixed on the floor from its legs by the provided metal fasteners (2 pcs). This will keep the safety clearances intact during use.

The minimum clearances specified on page 7 must be followed even if the sauna room wall materials are incombustible.

Walls or ceilings must not be clad with fibre-reinforced plaster board or other light-weight cladding, because they may cause a fire hazard.

Install the sauna heater so that the sign and the warnings can be read even after the installation.

The control panels are installed outside the sauna room with the exception of the Midi controller which is installed on the wall beside the sauna heater. Refer to more detailed installation instructions in the installation and operation guide of the control panel.

Only a single sauna heater is allowed per sauna room

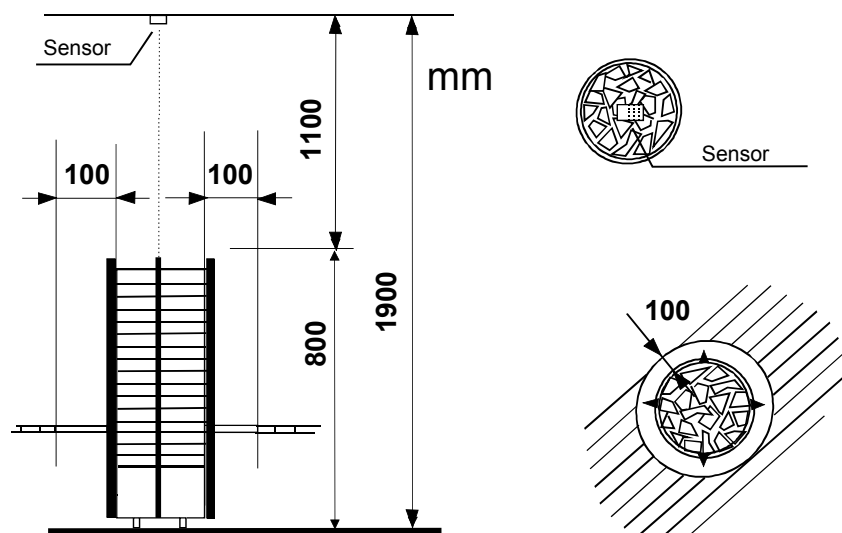
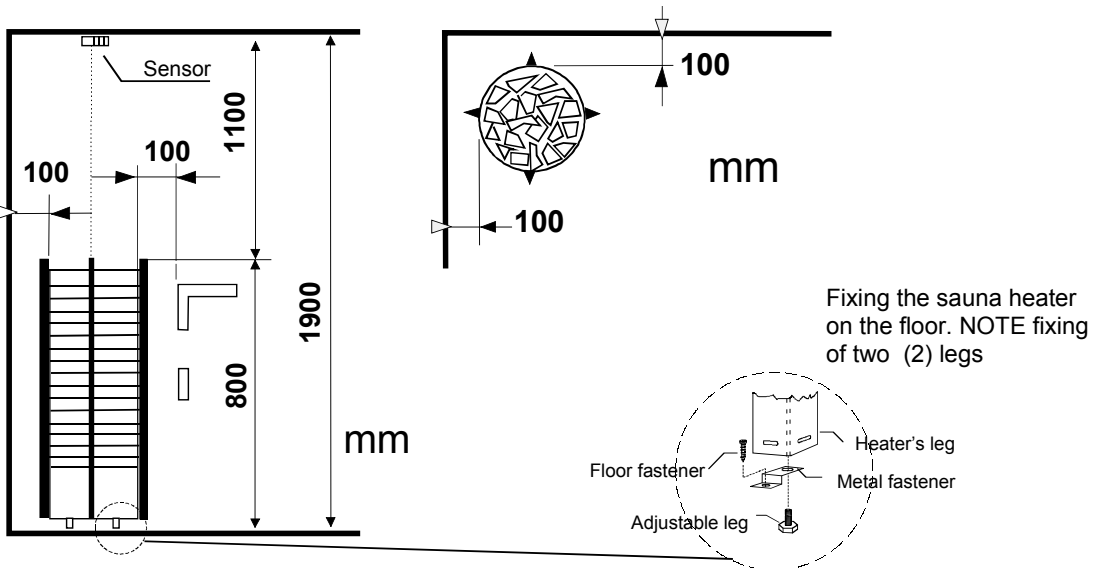
3.3. Sauna heater safety clearances

Power kW	Saunaroom			Safety clearances min.			Adequate amount of stones Approx. kg
	min. m ³	max. m ³	Height min. mm	On the sides mm	In front mm	To the ceiling mm	
6,0	5	9	1900	100	100	1100	60
8,0	8	13	1900	100	100	1100	60

Table 1 Safety clearances

Corner and wall installation:

The sensor is placed on the centreline of the heater



Mid-floor installation:

NOTE !

If the heater is placed more than 100 mm from the wall the installation type is always a mid-floor installation.

The sensor must be fitted to the ceiling according to instructions.

3.4. Connection of the sauna heater to the mains

The sauna heater must be connected to the mains by a qualified electrician and in compliance with current regulations. The sauna heater is connected with a semi-permanent connection. Use H07RN-F (60245 IEC 66) cables or a corresponding type. Other output cables (signal lamp, electric heating toggle) must also adhere to these recommendations. Do not use PVC insulated cable as a connection cable for the sauna heater.

A multipolar (e.g. 7-pole) cable is allowed, if the voltage is the same. In the absence of a separate control current fuse, the diameter of all cables must be the same, i.e. in accordance with the front fuse.

The connecting box on the sauna wall should be located within the minimum safety clearance specified for the sauna heater. The maximum height for the connection box is 500 mm from the floor. See page 9 Image 2 Location for the connection box

If the connection box is located at over 500mm distance from the heater, the maximum height is 1000mm from the floor.

Sauna heater insulation resistance:

The sauna heater heating elements may absorb moisture from air, e.g. during storage. This may cause leakage currents. The moisture will be gone after a few heating sessions. Do not connect the heater power supply through a ground fault interrupter.

However, adhere to the effective electrical safety regulation when installing the sauna heater.

Power kW	Sauna heater's connection cable H07RN-F / 60245 IEC 66 mm ² 400 – 415V 3N~	Fuse A	Sauna heater's connection cable H07RN-F / 60245 IEC 66 mm ² 230V 3~	Fuse A	Sauna heater's connection cable H07RN-F / 60245 IEC 66 mm ² 230-240V 1N~/2~	Fuse A
6,0	5 x 1,5	3 x 10	4 x 2,5	3 x 16	3 x 6	35
8,0	5 x 2,5	3 x 16	4 x 6	3 x 25	3 x 6	35

Table 2 Connection cable and fuses

3.5. Electric heating toggle

The electric heating toggle applies to homes with an electric heating system.

Sauna heater has a connection (marked 55) for controlling the electric heating toggle. Connector 55 and the heating elements are simultaneously live (230V).

3.6. Locating the connecting box for the connection cable in the sauna room

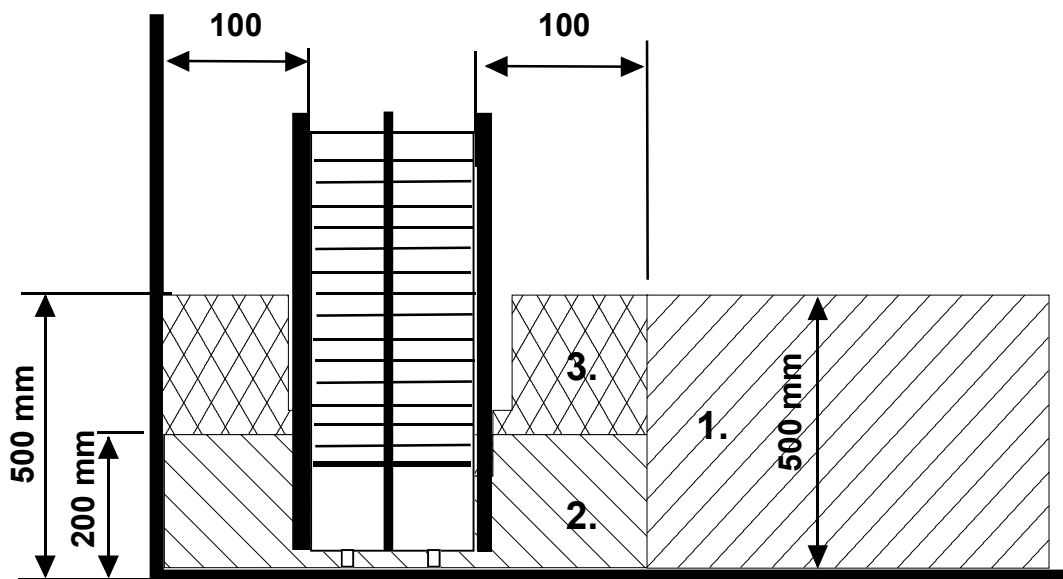


Image 2 Location for the connection box

100 mm = Specified minimum safety clearance

1. Recommended location for the connecting box
2. Silumin box recommended in this area.
3. This area should be avoided. Always use a silumin box.

In other areas, use a heat-resisting box (T 125 °C) and heat-resisting cables (T 170 °C). The connection box must be clear of obstacles. When installing the connection box to zones 2 or 3, refer to the instructions and regulations of the local energy supplier.

3.7. Principle image when Digi II is used as control panel

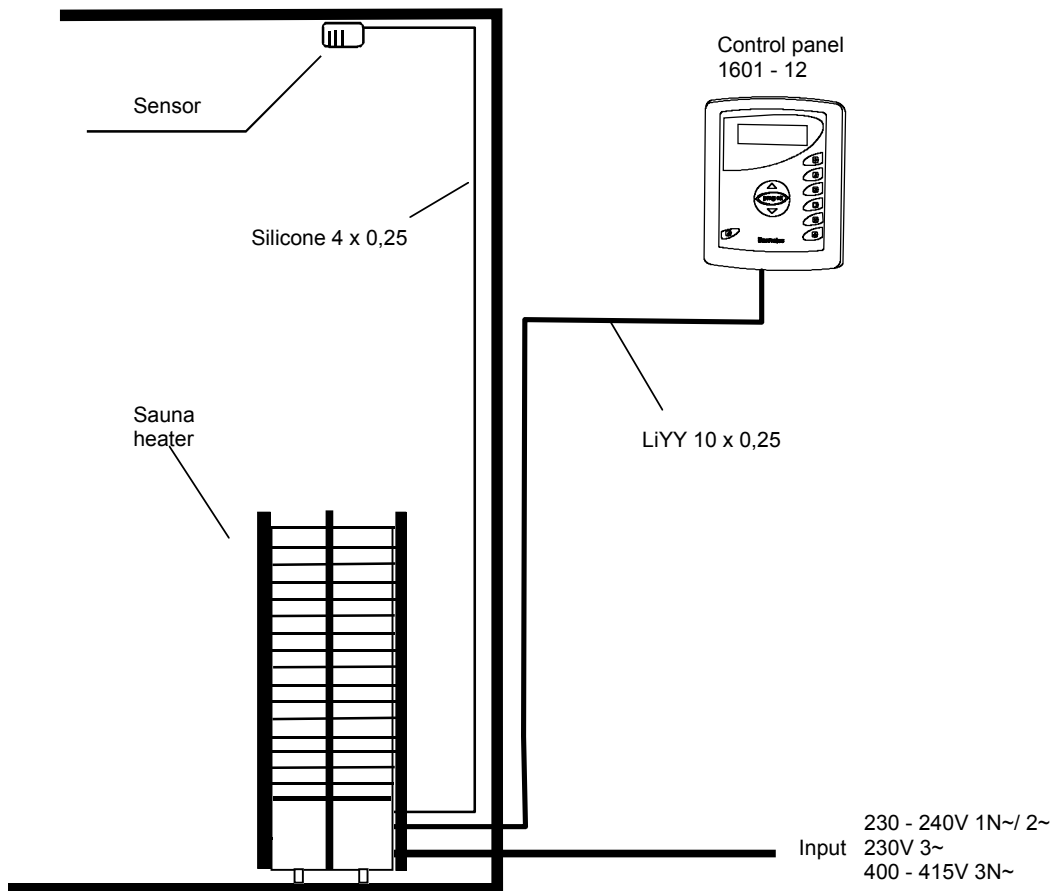
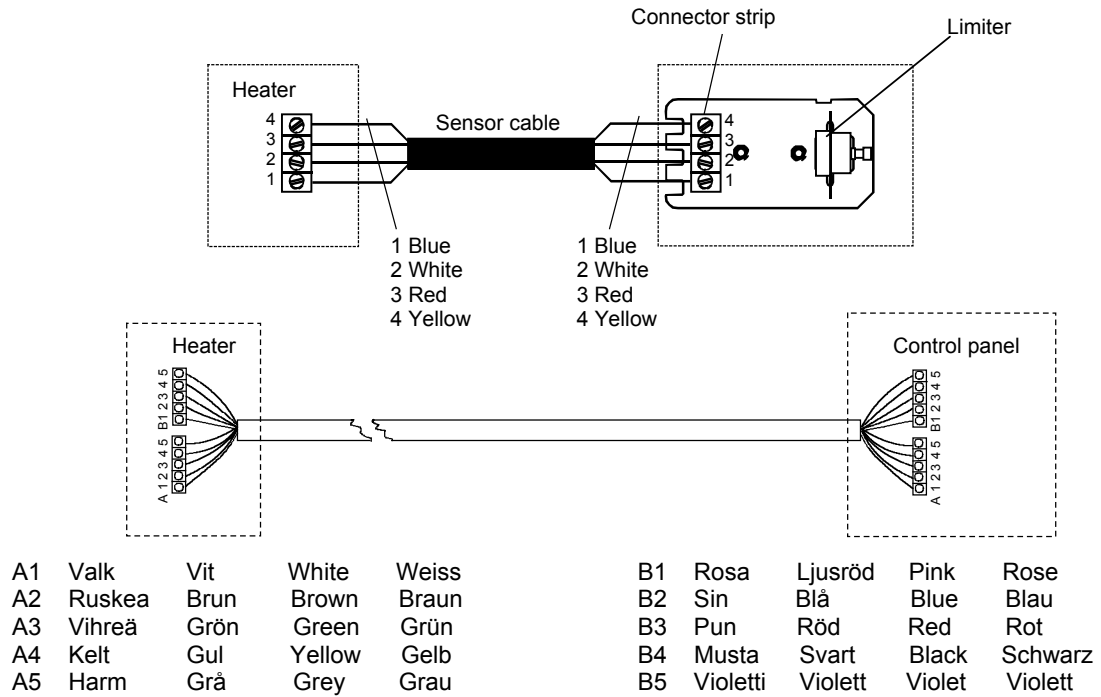


Image 3 Principle image

3.8. Wiring diagram

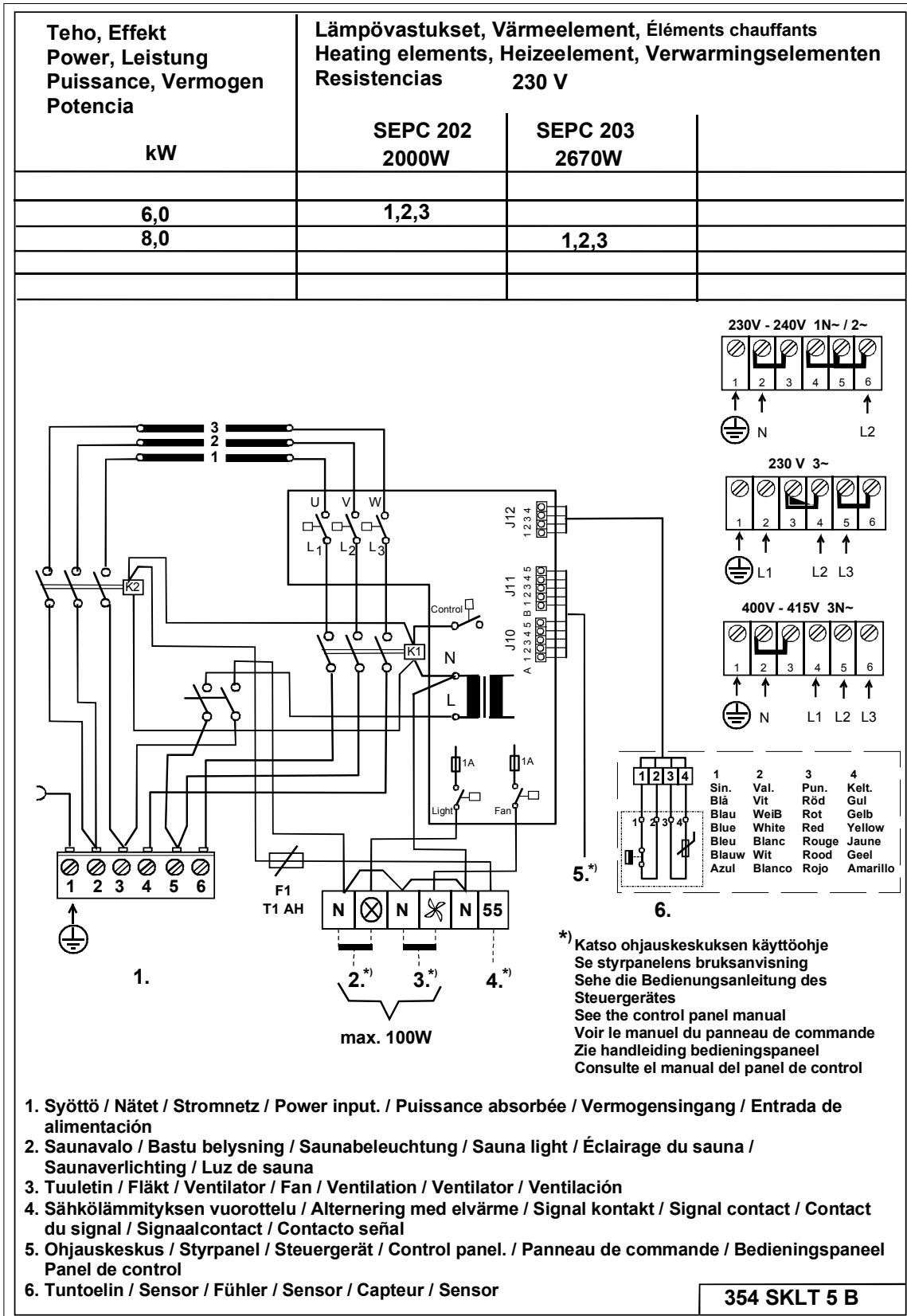


Image 4 Wiring diagram for the sauna heater

4. Helo Ring spare part list

Part	Part number	Part name	Helos Ring 600	Helos Ring 900
1	5916229	Circuit board OLEA 57	1	1
2	6214032	Sensor OLET 19	1	1
3	7812550	Mains connector NLWD 1-1	1	1
4	5716203	Relay Finder	2	2
5	6119649	Rocker switch	1	1
6	7306611	Rubber cover for rocker switch	1	1
7	7801711	Fuse F1 T1 AH	1	1
8	4316221	Heating element SEPC 202 2000W / 230V	3	-
8	5207518	Heating element SEPC 203 2670W / 230V	-	3
9	6216410	Circuit board OLEA 83 (Heater with Midi control panel)	1	1

5. ROHS

Ympäristön suojeleluun liittyviä ohjeita

Tämän tuotteen käyttöiän päätyttyä sitä ei saa hävittää normaalin talousjätteen mukana, vaan se on toimitettava sähkö- ja elektroniikkalaitteiden kierrätykseen tarkoitettuun keräyspisteeseen.

Symboli tuotteessa, käyttöohjeessa tai pakkauksessa tarkoittaa sitä.



Valmistusaineet ovat kierrätettävissä merkintänsä mukaan. Käytettyjen laitteiden uudelleenkäyttöä, materiaalien hyödyntämistä tai muulla uudelleenkäytöllä teet arvokkaan teon ympäristömme hyväksi.

Tuote palautetaan ilman kiuaskiviä ja verhoukiviä kierrätyskeskukseen.

Tietoa kierrätyspaikoista saat kuntasi palvelupisteestä.

Anvisningar för miljöskydd

Denna produkt får inte kastas med vanliga hushållsopor när den inte längre används. Istället ska den levereras till en återvinningsplats för elektriska och elektroniska apparater.

Symbolen på produkten, handboken eller förpackningen refererar till detta.



De olika materialen kan återvinnas enligt märkningen på dem. Genom att återanvända, nyttja materialen eller på annat sätt återanvända utsliten utrustning, bidrar du till att skydda vår miljö.

Produkten returneras till återvinningscentralen utan bastusten och eventuell täljstensmantel.

Vänligen kontakta de kommunala myndigheterna för att ta reda på var du hittar närmaste återvinningsplats.

Instructions for environmental protection

This product must not be disposed with normal household waste at the end of its life cycle. Instead, it should be delivered to a collecting place for the recycling of electrical and electronic devices.

The symbol on the product, the instruction manual or the package refers to this.



The materials can be recycled according to the markings on them. By reusing, utilising the materials or by otherwise reusing old equipment, you make an important contribution for the protection of our environment. Please note that the product is returned to the recycling centre without any sauna rocks and soapstone cover.

Please contact the municipal administration with enquiries concerning the recycling place.

Hinweise zum Umweltschutz

Dieses Produkt darf am Ende seiner Lebensdauer nicht über den normalen Haushaltsabfall entsorgt werden, sondern muss an einem Sammelpunkt für das Recycling von elektrischen und elektronischen Geräten abgegeben werden.

Das Symbol auf dem Produkt, der Gebrauchsanleitung oder der Verpackung weist darauf hin.



Die Werkstoffe sind gemäß ihrer Kennzeichnung wiederverwertbar. Mit der Wiederverwendung der stofflichen Verwertung oder anderen Formen der Verwertung von Altgeräten leisten Sie einen wichtigen Beitrag zum Schutze unserer Umwelt. Dieses Produkt soll ohne Steine und Specksteinmantel an dem Sammelpunkt für Recycling zurückgebracht werden.

Bitte erfragen Sie bei der Gemeindeverwaltung die zuständige Entsorgungsstelle.