

Authorized Exclusive Distributor



Z-ONE PRO

3-axis handheld stabilizing gimbal for GOPRO

Instruction Manual

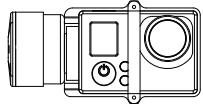
Manufactured by Zhiyun Tech



V1.0

Package Content

3-axis handheld camera stabilizer	1
Camera Holder	1
M2.5x10mm Hex Screw	2
M2.5x20mm Hex Screw	2
2mm Hex Wrench	1
18350 Lithium-ion Battery Charger	1
18350 Lithium-ion Battery	2
Micro USB Charger Cable	1
Warranty Card	1
Certificate	1
User's Manual	1



Note:

Install the GOPRO before connecting power.

Camera Holder

Gopro3

To use the M2.5x10mm Hex Screw for GOPRO only.

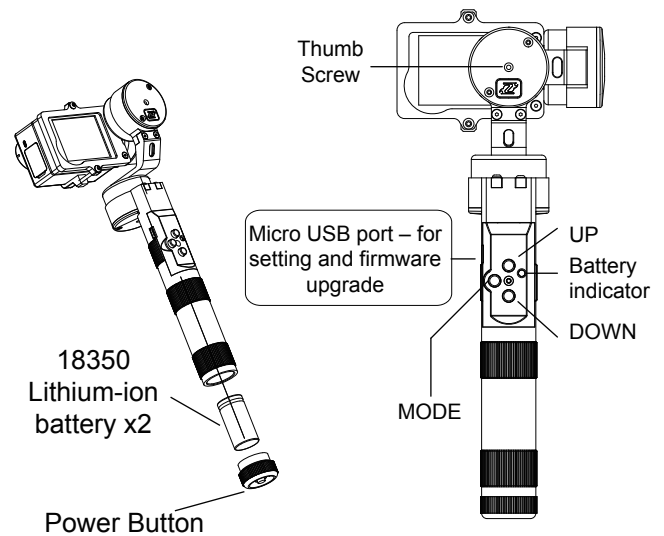
Camera Holder

Gopro3

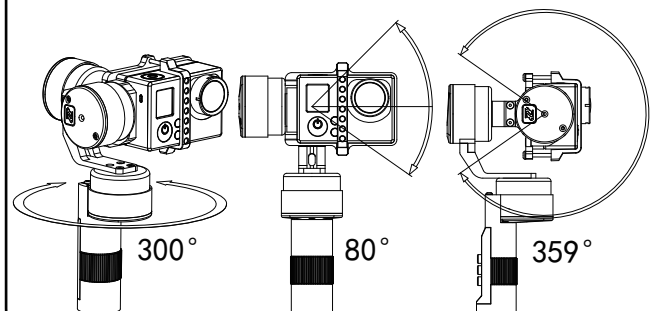
Gopro3 LCD BacPac

To use the M2.5x20mm Hex Screw for GOPRO with LCD BacPac.

1



Different Rotation Angle



2

Different Modes Instruction

- Heading Following Mode: Pitch and roll are locked. Heading rotates smoothly follow the direction of the handheld.
- Locking Mode: Heading, pitch and roll are locked.
- Heading and Pitch Following Mode: Roll is locked. Heading and pitch rotate smoothly follow the direction of the handheld.

Buttons and Modes Instruction

Working Mode	Mode Indicator	Down/Up Button
Heading Following Mode	Blink slowly	Pitch adjustment
Locking Mode	Light up	Pitch adjustment
Heading and Pitch Following Mode	Blink quickly	Roll adjustment

Battery Indicator Instruction

Battery Indicator Status	Description
Blink 4 times	100% Power
Blink 3 times	75% Power
Blink 2 times	50% Power
Blink 1 times	25% Power

Note: If the battery indicator blinks continually, the battery is out of power. Please charge the battery as soon as possible.

Operation:

- Power Switch : Install the battery and press the power button, the stabilizer will in standby mode after five seconds. Press the power button again to cut off power.
- On/Off : After connecting to power, long press "MODE" for 1 second to switch standby mode/ working mode.
- Mode Switch : In working mode, press "MODE" to switch Heading Following Mode / Locking Mode. Press "MODE" 2 times to turn on Heading and Pitch Following Mode; press "MODE" again to turn on previous mode.
- Angle Adjusting : User can adjust the pitch/roll angle through UP/ DOWN buttons.

③

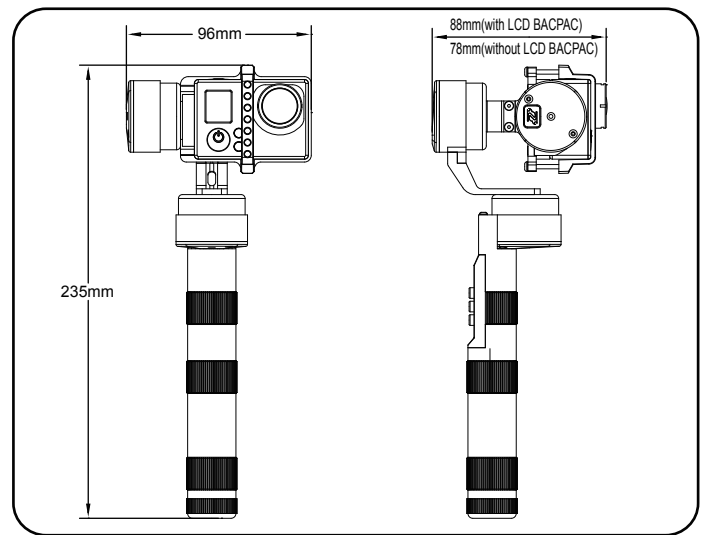
Specification:

	minimum	standard	maximum	Note
Working Voltage	6.8V	8.4V	17V	
Working Current	50mA	120mA	2A	
Follow Accuracy(Motionless)	±0.01°		±0.04°	
Follow Accuracy(Motion)	±0.1°	±0.2°	±0.5°	
Tilt Working Angle	-180°	0°	+180°	Vertical handheld
Roll Working Angle	-45°	0°	+35°	
Heading Working Angle	-150°	0°	+150°	Vertical handheld
Heading Working Angle	-50°	0°	+50°	Leveled handheld
Tilt Speed	1°/S		50°/S	
Heading Speed	1°/S		80°/S	
Battery Operation Time(25°C)	3h	4h	5h	900mAh×2
Operation Temperature	-20°C	25°C	45°C	
Weight		285g		without battery and camera

Note:

Please don't operate the handheld gimbal over working range; the handheld gimbal would be in self-protection mode, and the operation would be effected.

⑤



18350 battery charger

Input: DC 5V/800mA
Output: DC 4.2V/400mA x2

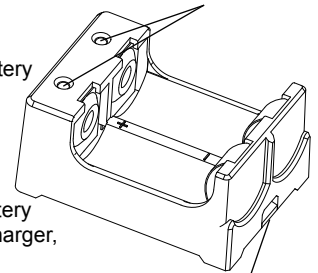
Charger indicator
(The signal will show green once finish charging)

Rechargeable Battery

Battery type: 18350 Lithium-ion battery
Capacity: 900mAh
Charge Time: 3 hours

Note:

For connecting power to 18350 battery charger, please prepare portable charger, or connect to a USB port of PC.



Micro USB 5V
power input port

④

This device has been calibrated by the manufacturer. Warranty void if disassemble any components.

We reserve the right of final explanation and revision of the instruction manual. For the latest version, please refer to official website.

For user instruction, firmware upgrade, and more information:

www.standard-tec.com

Authorized Exclusive Distributor
Standard Tech Operation

Manufactured by Zhiyun Tech



⑥