

LH-C018 12pcs 4in1 LED Beam Moving Head User Manual



LEAHUA 广州丽华舞台灯光音响有限公司
GZ LEAHUA LIGHT LIMITED

This manual contains important information.
Please read before operating fixture.

Add: A1 Building The Sixth Industrial Zone Zhu Gang Road Hongxing Shijing Town Baiyun
District Guangzhou China.

Tel: +86 020-66292177 Fax: +86 020-66292177

1 SECURITY TIPS

WARNING!!! To reduce the risk of fire, electric shock, or injury to persons, follow these important safety instructions:

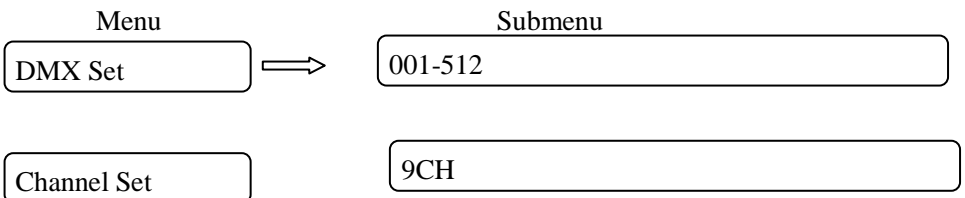
- non-professionals, not to disassemble the light arbitrarily and lighting accessories inside.
- rated voltage range: AC110V-120V/60Hz or AC200V-240V / 50HZ (to be selected).
- not beam irradiate the flammable materials, flammable materials and the lamp should be maintained at least 1M over the distance.
- lamps used in ambient temperature: -15 °C -40 °C, the highest temperature of the surface of the lamp: 60 °C.
- to keep away from the liquid substance and humid environment.
- before using the lights must ensure the good grounding, can not install charging and remove any parts.
- the installation of lamps, must be fixed screw fasteners with additional security cable and regular inspection.
- lamps consecutive working hours is not recommended more than 10 hours.
- should stop using the lights in time when happens unusual conditions during the process
- lamp parts of the rotation, external accessories and paste parts should be regular inspected, such as the emergence of loose and rock, should be reinforced in a timely manner to prevent the accident.
- lamps adopt strong winds to refrigerate, it is easy to accumulate the dust, so you have to clean it weekly especially the cooling air opening, otherwise the dust will plug leading to poor light

2 TECHNOLOGY REFERENCE

- 1.**power supply:** AC90~240V, 50/60Hz, DC24V180W
- 2.**Source:** 12 10watt 4in1 RGBW LED
- 3.**Lifespan:** 100000 hours
- 4.**Color:** RGBW four-color 4in1
- 5.**Lens:** 5 degree beam lens
- 6.**Counting positioning system:** double optical coupler, dual Holder positioning
- 7.**Driving mode:** LED using constant current driver, Motor driven by mute
- 8.**Control mode:** DMX512, Auto Program, master-slave control
- 9.**Channel mode:** 9/16 channel
- 10.**Cooling method:** using high thermal conductivity aluminum PCB, The high thermal conductivity aluminum, cooling fan, over-temperature protection
- 11.**PAN / TILT:** X630 /Y 240 degrees, fast running speed, Adjustable speed.
- 12.**Dimmer:** 0-100% linear dimming
- 13.**Strobe:** 1-25 / sec
- 14.**Display:** LCD display
- 15.**Working environment:** indoor, -15 to 40 degrees
- 16.**IP rating:** IP20
- 17.**N.W.:**5KG

3 Board Instruction

Menu





16CH

Show Mode



DMX Mode

Fast Mode

Slow Mode

Sound Mode

Sound Sense



0-99 Sound Sensitive adjusting

Pan Inverse



OFF, X Motor clockwise

ON, X Motor re-clockwise

Tilt Inverse



OFF, Y Motor clockwise

ON, Y Motor re-clockwise

While balance



R 0-255, Red Dimmer

G 0-255, Green Dimmer

B 0-255, Blue Dimmer

W 0-255, White Dimmer

Default
Confirm



Yes, Initiating System

Fixture
REST



Yes, System Reset

4 DMX CHANNEL SHEET

16channels:

Channel	Value	Function
1	0-255	X motor
2	0-255	Y motor
3	0-255	Dimmer Total
4	0-255	Red(1-255, dimmer, from dark to bright)
5	0-255	Green(1-255, dimmer, from dark to bright)
6	0-255	Blue (1-255, dimmer, from dark to bright)
7	0-255	White (1-255, dimmer, from dark to bright)
8	0-255	Strobe (1-255, Strobe, from Slow to fast)
9	0-255	XY motor speed form fast to slow
10	0-10	Other CH Activated
	11-127	Color Changing
	128-160	Color jump Changing
	161-200	Color Slow Changing A
	201-255	Color Slow Changing B
11	0-255	CH10 Speed from slow to fast
12	0-255	Built-in program effect
13	0-255	CH12 Speed from slow to fast
14	0-255	Pan Fine
15	0-255	Tilt Fine
16	150-200	Reset

9channels:

Channel	Value	Function
1	0-255	X motor
2	0-255	Y motor

3	0-255	Dimmer Total
4	0-255	Red(1-255, dimmer, from dark to bright)
5	0-255	Green(1-255, dimmer, from dark to bright)
6	0-255	Blue (1-255, dimmer, from dark to bright)
7	0-255	White (1-255, dimmer, from dark to bright)
8	0-255	Strobe (1-255, Strobe, from Slow to fast)
9	0-255	XY motor speed from fast to slow

5 FIXED EQUIPMENT

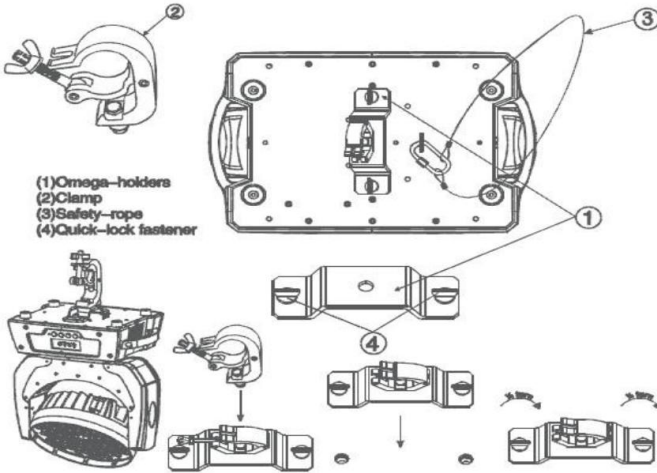
Please keep the equipment far away from the flammable objects like finishing material, etc. keep at least 0.5m distance from the flammable objects.

Warning: using two lamp clamps fix the equipment on the bottom of the lamp holder according to the instruction. to make sure the place of install the lamp is safe and suitable ,and the installation point that have chosen is safety and reliable.

The place of installing the lamp must support the 10 times weight of the lamp itself. And test the pensile place and make sure the place isn't out of the shape.

Must install the second protection when fixing the equipment like proper protective screening. The second protection is used to prevent drop off and lost of lamp and components.

Lamps can directly install the lamp holder ,which is shown in the figure:



6 MAIN MACHINE CONNECTION

Please checking the power equipment supported.

Please put the plug of power source wire connect with the main power source .

(EU)Wire	Wire(America)	Direction of wire	General marks
Brown	Black	Live	L
Light blue	White	Neutral	N
Yellow/Green	Green	Earth	⊕



Warranty Card

Name	Model	Production	Purchase
End User		Sale Store	
Company Name:		Link man:	Stamp
Add:		Tel:	

Description: These must be truthfully fill, seal by the end-user and point-of-sale, or else the warranty will not work (warranty period and terms, see the following)

warranty period: one year since purchase warranty terms: 1、 If fail when using the product in normal state, you can made under the provisions of the warranty, show the warranty card and purchase bills(copy), and enjoy free maintenance service in a specific service center or the manufacturer.

2. The following will be the implementation of paid service:

- (1)Without the effective warranty card
- (2)There's blank, alter and no point-of-sale name
- (3)Fail caused by unresistance
- (4)Fail caused by transportation or unloading
- (5)Fail caused by not operate by manual
- (6)Fail caused by disassemble without unauthorized
- (7)Fail caused by using the unauthorized control system

Note:

Based on our company continue to improve the product, the statement containing data may have changed, and will not notice the change any more. Company retains its right to change specifications related when product is improved. Thanks for your understanding.