

This document provides additional assistance with wiring your Extron IP Link enabled product to your device. Different components may require a different wiring scheme than those listed below.

For complete operating instructions, refer to the user's manual for the specific Extron IP Link enabled product or the controlled device manufacturer supplied documentation.

Device Specifications:

Device Type: Touch Display
Manufacturer: Legamaster
Firmware Version: N/A
Model(s): e-Screen 65" EMD

Version History:

Driver Version	Date	IP Link Compiler	GC Version	Notes
1	4/7/2014	1.6.0	3.5.2	Initial version.

Driver Notes:

- Device ID is set to 1 by default.

Control Commands & States:

Aspect Ratio	4:3 14:9 Spectacle	16:9 Zoom 1	Auto Zoom 2
Audio Mute	On	Off	
Device ID	Broadcast	1-99	
Executive Mode	On	Off	
Input	AV HDMI1 DP	Component HDMI2	PC HDMI3
Menu Navigation	Up Right Exit	Down Enter	Left Menu
Power Control	On	Off	
Volume (Discrete)	0 to 100 in steps of 1		

Status Available:

N/A

MLC60 Series Supported Commands:

Aspect Ratio	4:3 14:9 Spectacle	16:9 Zoom 1	Auto Zoom 2
Audio Mute	On	Off	
Executive Mode	On	Off	
Input	AV HDMI1 DP	Component HDMI2	PC HDMI3
Menu Navigation	Up Right Exit	Down Enter	Left Menu
Power Control	On	Off	
Volume (Discrete)	0 to 100 in steps of 1		

*Device ID has been set to 1 for MLC 60 series

Cable and Adapter Requirements:

F/M RS232 DB9 Straight Serial Cable.

Notes for the Device:

Serial communication:

Port Type: RS-232

Baud Rate: 9600

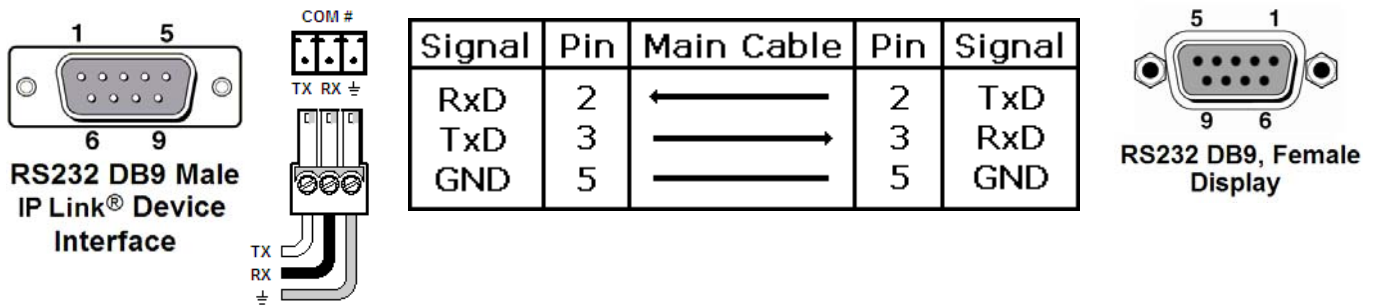
Data Bits: 8

Parity: None

Stop Bits: 1

Flow Control: None

Pin Assignments Diagram:



Note: Captive screw connector may also be used as a serial connection.

General Notes: