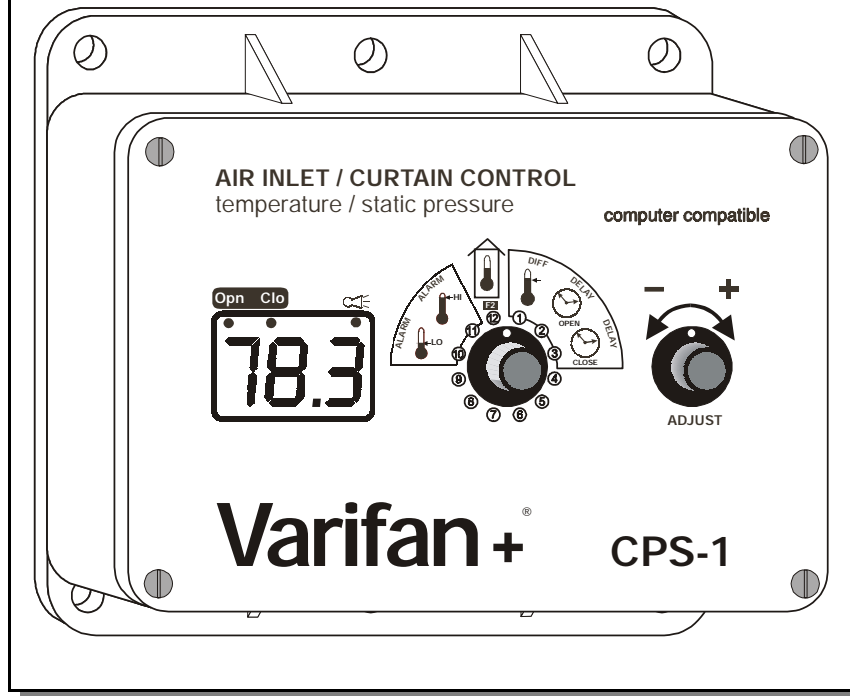


CPS-1

USER'S MANUAL



Although the manufacturer has made every effort to ensure the accuracy of the information contained herein, this document is subject to change without notice due to ongoing product development.

WARNING AND PRECAUTIONS

Equipment , probe failure, blown fuses and/or tripped breakers may prove harmful to the contents of the building. Therefore it is strongly recommended to install backup devices and alarm or warning devices. Spare equipment should also be available at the owner's site. Equipment manufactured by the manufacturer is protected against normal line surges. High surges caused by thunder storms or power supply equipment may damage this equipment. For added security against line voltage surges it is recommended that surge and noise suppression devices be installed at the electrical distribution panel. Use of shielded cable for probes is recommended for protection against lightning. These devices are available from most electrical supply distributors.

RECOMMENDATIONS

The manufacturer recommends that all installation procedures described herein be performed by a qualified electrician or installation technician. Further more the manufacturer recommends to test all the functions and equipment connected to the CPS, including the alarm system and backup devices, after installation, after change to the installation and once a month after that.

Fuse verification and replacement, as well as the proper setting of control values shall be the responsibility of the owner of this equipment.

TABLE OF CONTENTS

CHAPTER 1 - INTRODUCTION

1. General5
1.1 Description5

Definition of terms7

CHAPTER 2 - INSTALLATION

2.1 Unpacking9
2.2 Mounting9
2.3 Switch Settings.....10
2.3.1 Line Voltage Selector Switch10
2.3.2 Software Settings DIP Switch10
2.4 Connection Procedure11
2.4.1 Input Power11
2.4.1.1 115 VAC.....11
2.4.1.2 230 VAC.....11
2.4.2 Actuator Motor.....11
2.5 Temperature / Static pressure Sensor12
2.5.1 Single Temperature Probe12
2.5.2 Temperature Averaging12
2.5.3 Static Pressure Sensor12
2.6 Alarm.....13
2.7 Powering Up.....14

CHAPTER 3 - USER GUIDE

LED Status Window19
Control Dials.....19

PRIMARY FUNCTIONS

Main Set Point Temperature / Pressure.....21
Open Run Timer.....22
Close Run Timer23
Record Low Temperature / Pressure24
Record High Temperature / Pressure25
Temperature / Pressure Display26

SECONDARY FUNCTIONS

Actuator Motor Differential27
Open Delay Timer28
Close Delay Timer.....29
Low Temperature Alarm.....30
High Temperature Alarm.....31

APPENDIX

Troubleshooting32
Specifications33
Record Form34

1. GENERAL

This document provides a description of the CPS-1 control panel. This document is organized as follows:

- Introduction
- Installation
- User's Guide
- Appendix

1.1 DESCRIPTION

Congratulations on the purchase of your CPS-1 environmental control system. The CPS-1 provides you with full control over static pressure and air flow resulting in a comfortable environment for your livestock.

The CPS-1 provides microprocessor control over one stage. The stage regulates the static pressure of a room via the use of actuator motors which in turn control the building's air inlet baffle boards or air inlet curtains. The CPS-1 can either use temperature (with temperature probe 2004-1k) or for greater accuracy static pressure (with static pressure sensor model # SPS-1) as a means to control the opening of the air inlet baffle/curtain.

The CPS-1 provides you with full control over its stage via the use of an easy to follow display panel. All programmable features can be customized to meet your requirements.

The CPS-1 has programmable temperature and static pressure set points which are the base point for the control of an actuator motor. The delay time before the actuator motors start to run, as well as the period of time it operates for are fully programmable.

The CPS-1 keeps you constantly informed by displaying the status of its output as well as the ambient temperature or static pressure levels.

Safety of livestock is ensured by the continuous control of climate and timely alarm notification should environmental conditions exceed alarm set points. Further security may be obtained by connecting all CPS series controls in a

CPS-1

network configuration to an optional RCM-40 remote monitoring unit. This provides remote control monitoring of each room. All programmable settings are maintained indefinitely whether or not the CPS-1 is powered.

With CPS-1 in control of your climate, you are assured of optimal living conditions for your livestock.

DEFINITION OF TERMS

MAIN SET POINT

The desired room temperature or pressure.

ROOM TEMPERATURE / PRESSURE

The actual temperature / pressure of the room.
(also called ambient temperature in the manual)

AIR INLET BAFFLE BOARD/AIR INLET CURTAIN

A device which regulates air flow into a building by controlling the opening or closing of an air passage.

The manufacturer recommends that the installation instructions which follow be adhered to as closely as possible, and all work be performed by a certified electrician. Failure to do so may void the warranty!

2.1 UNPACKING

Unpack the CPS-1 from its box and inspect contents for damage. Should the contents appear to be damaged, contact your local distributor for return material procedures.

The package should contain the following standard items:

- 1 CPS-1 control.
- 1 installed temperature probe (model number 2004-1K).
- 2 cable fasteners.

The following optional items may be included:

- 3 additional temperature probes for temperature averaging.
- 1 SPS-1 static pressure sensor.

2.2 MOUNTING

Mount the CPS-1 to the wall using the mounting holes located on the flange of the control housing.

To limit the unit's exposure to noxious gases install the unit in a hallway.

Make certain that the unit is mounted right side up with the cable entry holes facing down.

The CPS-1 will operate in a temperature range of 42°F - 111 °F (5.5 °C - 44 °C).

The enclosure is watertight, it is not splash proof or immersion proof. DO NOT WATER the control. Cover carefully with plastic when you are clean the room.

*** It is prohibited to use overhead cables outside the building.**

Mounting hardware is not shipped with the unit.

CPS-1

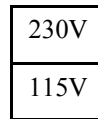
Once the CPS-1 is in place, use a screwdriver to remove the four screws holding the faceplate to the housing.

2.3 SWITCH SETTINGS

The CPS-1 is configured for a variety of options via two switches: the line voltage selector switch, and the software settings DIP switch. These switches are described in the following two sections.

2.3.1 - Line Voltage Selector Switch




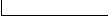
This switch is located on the surface of the main (bottom) board and adapts the CPS-1 for 115 VAC or 230 VAC line voltage. The manufacturer set the switch to 230 VAC. If you wish to use it on 115 VAC you have to select to 115 VAC before turning on the power



Refer to Figures 1 through 4.

2.3.2 - Software Settings DIP Switch

This switch is located at the rear of the CPS-1 faceplate and adjusts the following options.

		OFF	ON
OFF	ON		
	1	Fahrenheit	Celsius
	2	Settings locked	Setting unlocked
	3	High static pressure sensitivity	Normal static pressure sensitivity
	4	Temperature mode	Pressure mode

- Switch 1** Fahrenheit or Celsius display on the CPS-1.
- Switch 2** Locks or unlocks your settings. All settings except for main set point, record low, and record high are locked while this switch is off.
- Switch 3** Increases static pressure sensitivity with DIP switch set to OFF. (The static pressure reading will react faster with High sensitivity).
- Switch 4** Static pressure mode or temperature mode.

2.4 CONNECTION PROCEDURE

For the connection procedures which follow refer to figures 1 through 4. Use watertight connectors for cable passing through the enclosure, sealing or rubber.

2.4.1 - Input power

Use a screwdriver to remove cable knock-outs for the installation of cabling to the CPS-1.

Do not apply power to the CPS-1 until all connections have been completed!

2.4.1.1 - 115 VAC

Make certain that the line voltage selector switch is set to 115 VAC. Connect the live of the power cable to terminal 9 and neutral of the power cable to terminal 8 on the main (bottom) board.

2.4.1.2 - 230 VAC

Make certain that the line voltage selector switch is set to 230 VAC. Connect L1 of the power cable to terminal 9 and L2 of the powers cable to terminal 8 on the main (bottom) board.

2.4.2 - Actuator motor

Stage 1 provides two dry contacts which control a linear actuator motor used to operate an air inlet baffle board or air inlet curtain. One dry contact is used to operate the motor winding which reduces the air opening, and one dry contact is used to operate the motor winding which increases the air opening.

Make connections as shown on figures 1 to 4 depending on type of actuator used:

- For a 3 wire actuator, refer to Figure 1.
- For a low voltage actuator, refer to Figure 2.
- For a 2 wire DC actuator, refer to Figure 3.
- For 2 actuators connected on the same output, refer to figure 4.
- For a 4-wire actuator, refer to figure 5a

2.5 TEMPERATURE PROBES / STATIC PRESSURE SENSORS

Temperature probe and static pressure sensor use a "Class 2" low voltage circuit. Their cable can be extended up to 500 feet (150 meters). **For probe longer than 10 feet (3 meters), install shielded wire #18AWG min. With the shield grounded to ground of power source.**

Single probe temperature and static pressure connections are illustrated in Figure 5 while temperature probe averaging connections are illustrated in Figure 6.

2.5.1 Single Temperature Probe

Use shielded cabling for probes when their cable paths run parallel to high voltage wires. Connect the shields to the ground of power source. Failure to do so may result in inaccurate readings!

Install a single temperature probe in an area that best reflects the overall temperature of the room.

Connect the two leads of the temperature probe to the CPS-1 terminals labelled IN1 and GND as indicated in Figure 5.

2.5.2 Temperature Averaging

Four temperature probes are required if temperature averaging is desired in larger rooms. Place the probes in locations that best reflect the ambient temperature. Refer to Figure 6.

2.5.3 Static Pressure Sensor

To properly position a SPS-1 static pressure sensor inside the building refer to the installation manual supplied with the unit. **Important: disconnect temperature probe, when the static pressure sensor is used.**

Connect the static pressure probe to the CPS-1 terminals labeled IN1, PWR, and GND as indicated in Figure 5.

2.6 ALARM

The CPS-1 provides a normally open and normally closed dry contact for alarming low or high temperature conditions. In addition, this same contact can be used to signal a power failure. This contact may be connected to an alarm system, or directly to a siren and/or auto-dialer.

Momentary power interruptions may trigger false alarms! To avoid false alarming when the CPS-1 is connected to an alarm system, install a time delay relay between the CPS-1 and the alarm system.

Make connections as indicated in Figure 3.

Alarm goes off when set to “manual” or “off”; Since the CPS-1 works with relative set point, it is imminent that the CPS-1 will recognize a HI or LO alarm when the main set point is changing to either “Opn”, “Clo” or “OFF”. But when the selection reaches one these positions, the CPS-1 acknowledges that it is in manual and it will close the alarm relay as it does in normal situation. Therefore, during the process of going in manual, the alarm will go off momentarily.

The alarm relay is also used to interface with a computer network (via RCM-40). The CPS-1 requires a minor modification on its bottom card to differentiate the mode of operation. At the factory the unit is set to work on the alarm mode, to change it to the network mode the jumpers on terminal H1 located at the upper left corner of the bottom card shall be modified. The jumpers are included with the RCM-40. Refer to figure 7.

2.7 POWERING UP

Before powering up the CPS-1, attach the faceplate to the casing of the CPS-1 using the four screws previously removed.

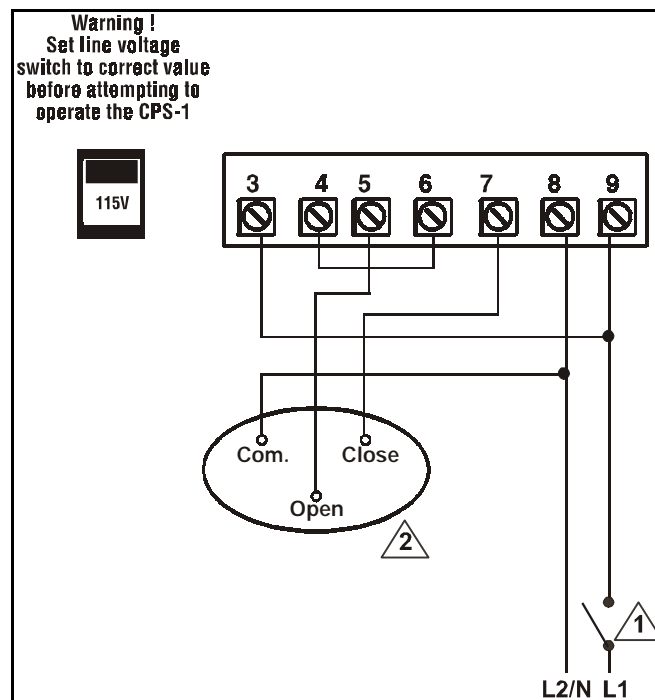
Set Selector knob to position (12).

Upon power up, the unit will test its display by briefly lighting all the segments of its LED. Make certain that all segments light.

Following the LED display test, the unit displays the ambient temperature or pressure of the room.

If the temperature or pressure is not displayed, refer to the Trouble Shooting section in the appendix of this document.

Fig.1
3 Wire Actuator



CHAPTER 2 - INSTALLATION

Fig 2 Low Voltage Actuator

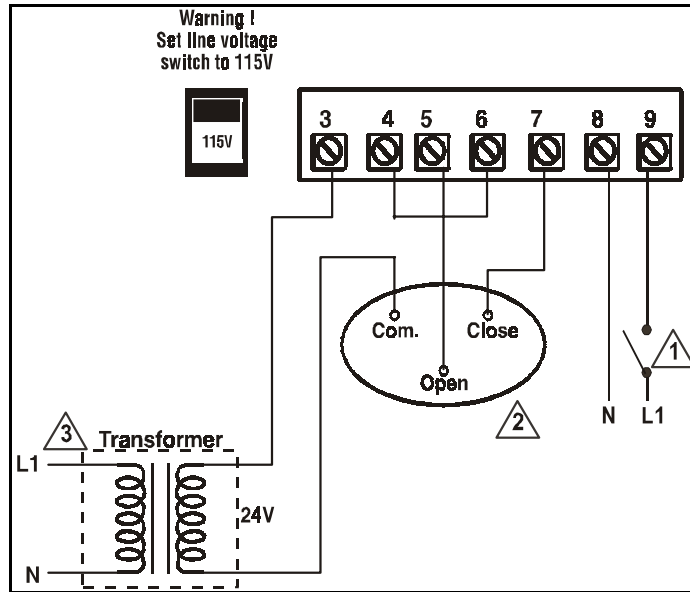


Fig 3 2 Wire DC Actuator

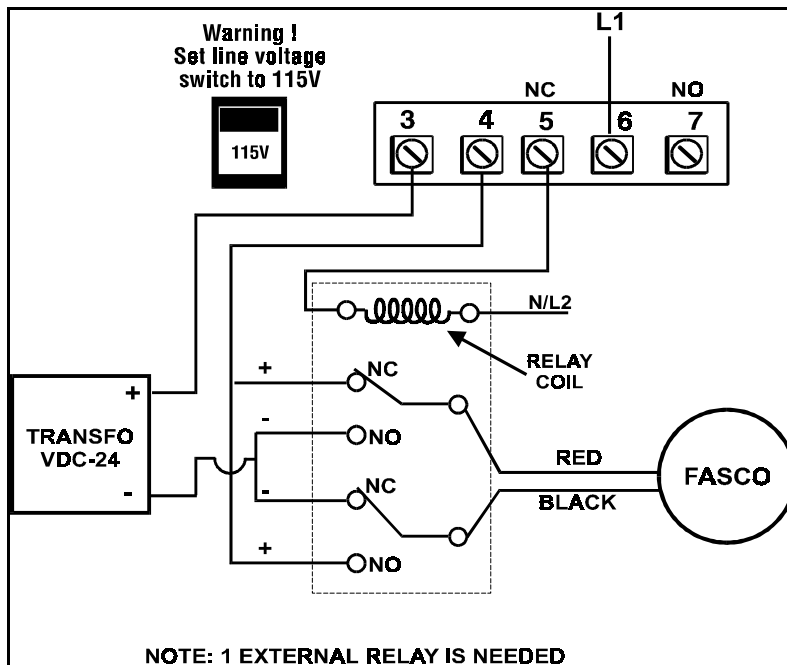


Fig 4a Two actuators connected on the same output

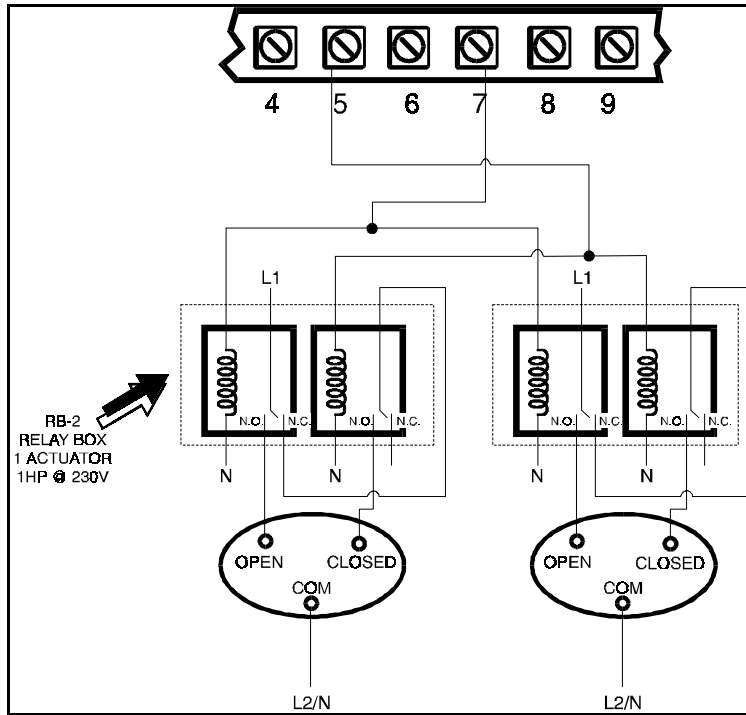
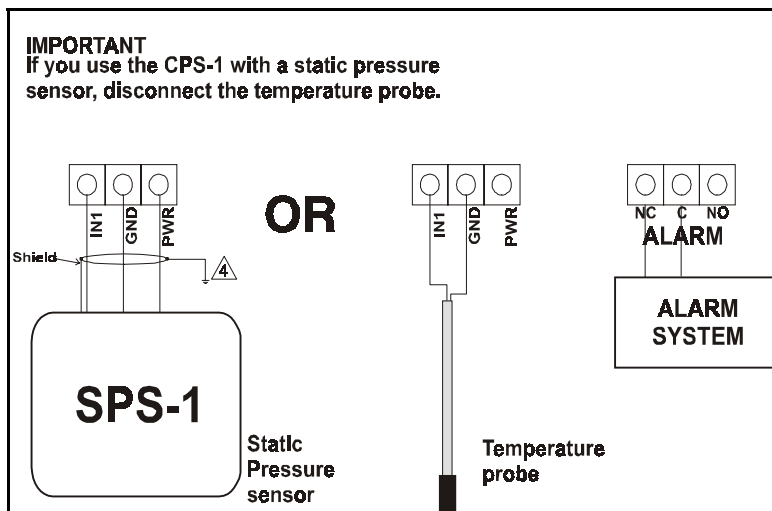
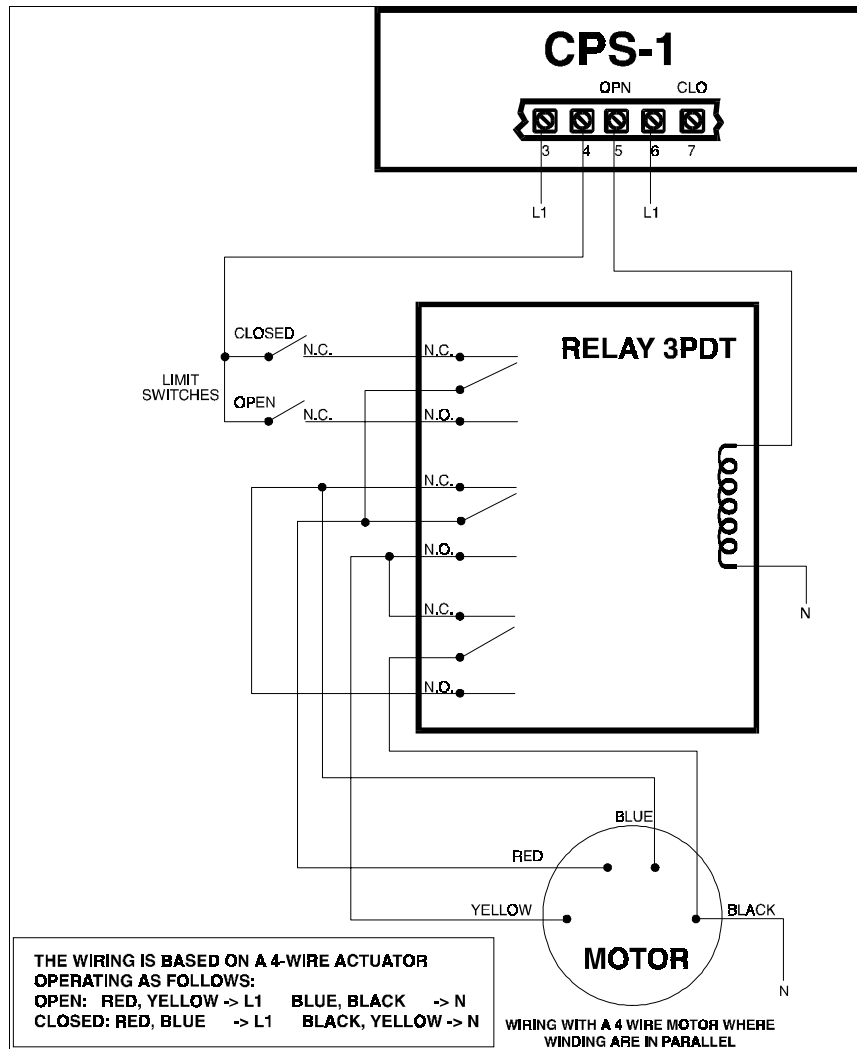


Fig 5 Temperature Probe and Static Pressure Sensor



CHAPTER 2 - INSTALLATION

Fig 5a 4 wire actuator



- Note for Figures 1 through 7.**
- 1** Power cut and protection devices in case of overload.
 - 2** Actuator motors require a limit switch.
If motor runs in reverse, switch terminal #5 with terminal #7.
 - 3** Not furnished with the unit.
 - 4** Connect to ground wire of power source.

Fig 6
Temperature Averaging Probe Connection

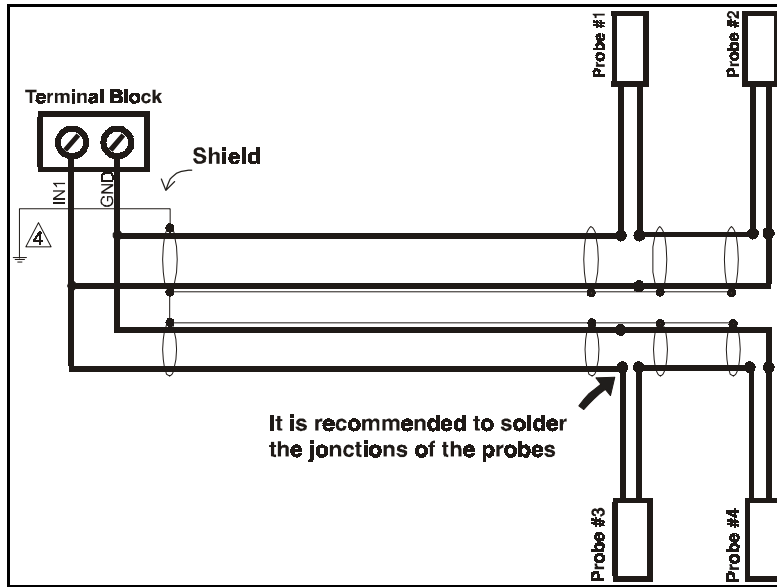
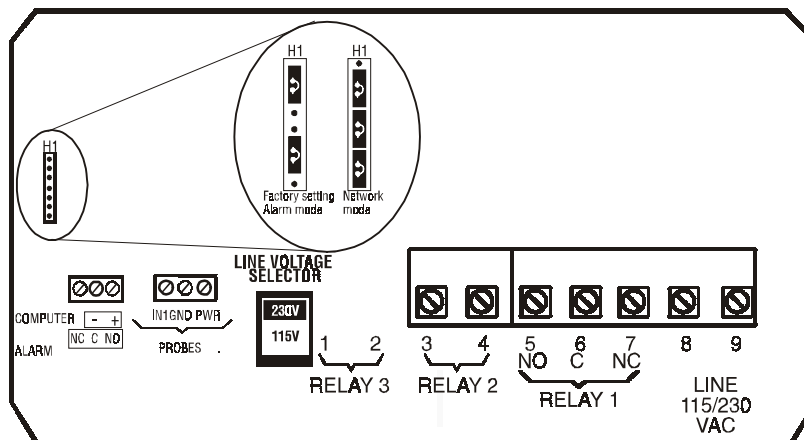


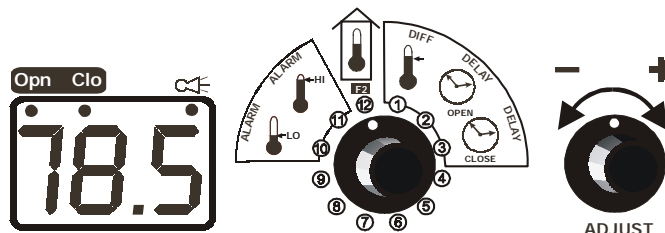
Fig 7
Main Board: Terminal Blocks, Switch, and Jumpers



AIR INLET / CURTAIN CONTROL

temperature / static pressure

computer compatible



Varifan+[®] CPS-1

The CPS-1 front panel shown above features a LED status window and two control dials which are respectively used to select a function and adjust a setting.

LED Status Window

The LED status window features a 3 digit LED readout for the display of temperature in Fahrenheit or Celsius, pressure level, and programmable settings.

In addition, the LED status window displays the operational status of stage 1 via two additional LEDs (shown above in LED window) that indicate the opening or closing of the air inlet / baffle board. When illuminated, each LED indicates that the actuator motor is operating. A third LED is an alarm indicator.

Control Dials

The center dial is the Selector dial and is used to select one of the CPS-1's 6 primary or 5 secondary functions. The dial located to the right of the Selector dial is the Adjustor dial and is used to adjust the setting of each function or to enter secondary function mode.

The 6 primary functions are:

- 1 Main temperature / pressure set point
- 2 Open run timer
- 3 Close run timer

CPS-1

- 10 Record low temperature / pressure
- 11 Record high temperature / pressure
- 12 Ambient temperature / pressure display

Any one of these primary functions is selected by rotating the Selector dial to the corresponding number and associated graphical image printed on the faceplate of the panel. When primary functions 1 through 3 and 10 and 11 are selected, the LED status window displays a blinking value. Function 12 displays ambient temperature or static pressure levels.

The 5 secondary functions are:

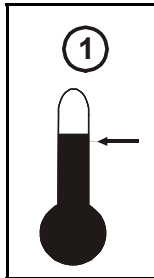
- 1 Differential
- 2 Open delay timer
- 3 Close delay timer
- 10 Low temperature / pressure alarm
- 11 High temperature / pressure alarm

Select any one of these secondary functions by:

- rotating the Selector dial to (12)
- rapidly rotating the Adjustor dial back and forth to enter secondary mode.
- rotating the Selector dial from function (12) to any other secondary function.

When secondary functions 1 through 3, and 10 and 11 are selected, the status window displays a blinking value along with a scrolling LED display. Selection of function 12 removes the CPS-1 from the secondary function mode.

MAIN SET POINT TEMPERATURE / PRESSURE



When a temperature probe is installed, the main set point establishes the target temperature in the building. The main set point temperature is adjusted in 0.5 degree increments from a minimum setting of 42.0°F (5.5°C) to a maximum setting of 111°F (44.0°C).

When a static pressure probe is installed, the main set point establishes the target pressure level in the building. The main set point pressure level is adjusted in 0.01" H₂O increments from a minimum setting of OPN, 0.0" H₂O to a maximum setting of 0.14" H₂O, and CLO.

Adjusting the main set point temperature / pressure level:

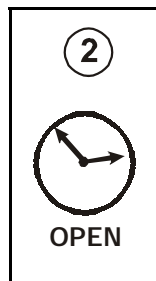
- rotate the Selector dial to position (1),
- rotate the Adjustor dial counterclockwise to decrease the setting, and clockwise to increase it.

The main set point temperature / pressure level is displayed on the CPS-1.

Note:

The actuator motor may be manually controlled by adjusting the main set point to OPN or CLO thereby causing the air inlet to either remain fully open or closed.

OPEN RUN TIMER



The open run timer establishes the period of time that the actuator motor operates when it receives the command to open an air inlet baffle board or air inlet curtain.

The open run timer is adjusted in 1 second increments from a minimum setting of 1 second to a maximum setting of 1 minute 59 seconds.

Adjusting the open run timer:

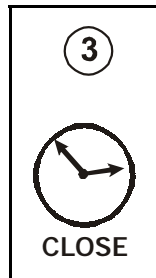
- rotate the Selector dial to position (2),
- rotate the Adjustor dial counterclockwise to decrease the setting, and clockwise to increase it.

The open run timer setting is displayed on the CPS-1.

Example:

The open run timer is set to 30 seconds. When the control determines that the air inlet must open, the command to the motor is sent after the delay set by secondary function (2) has expired. The actuator motor will operate for 30 seconds before stopping.

CLOSE RUN TIMER



The close run timer establishes the period of time that the actuator motor operates when it receives the command to close an air inlet baffle board or air inlet curtain.

The close run timer is adjusted in 1 second increments from a minimum setting of 1 second to a maximum setting of 1 minute 59 seconds.

Adjusting the close run timer:

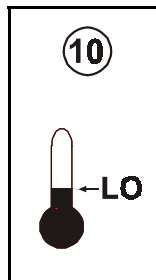
- rotate the Selector dial to position (3),
- rotate the Adjustor dial counterclockwise to decrease the setting, and clockwise to increase it.

The close run timer setting is displayed on the CPS-1.

Example:

The close run timer is set to 30 seconds. When the control determines that the air inlet must close, the command to the motor is sent after the delay set by secondary function (3) has expired. The actuator motor will operate for 30 seconds before stopping.

RECORD LOW TEMPERATURE/PRESSURE



This function displays the lowest recorded temperature / pressure since the last clear.

When a temperature probe is installed, the record low temperature is rounded to the nearest 0.5 degree from a minimum display of 42.0°F (5.5°C) to a maximum display of 111°F (44.0°C). If a temperature lower than 42.0°F is recorded, **Lo** is displayed.

When a pressure probe is installed, the record low pressure is displayed in 0.01" H₂O increments from a minimum display of -0.20" H₂O to a maximum display of 0.20" H₂O. If a pressure level lower than - 0.20" H₂O is recorded, **Lo** is displayed.

Viewing the lowest temperature / pressure recorded:

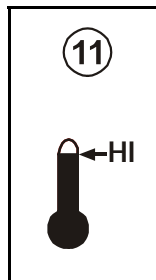
- rotate the Selector dial to position (10)

Clearing the low temperature / pressure value:

- quickly rotate the Adjustor dial counterclockwise, then clockwise.

CLr will be briefly displayed on the CPS-1.

RECORD HIGH TEMPERATURE / PRESSURE



This function displays the highest recorded temperature / pressure since the last clear.

When a temperature probe is installed, the record high temperature is rounded to the nearest 0.5 degree from a minimum display of 42.0°F (5.5°C) to a maximum display of 111°F (44.0°C). If a temperature higher than 111°F is recorded, **Hi** is displayed.

When a pressure probe is installed, the record high pressure is displayed in 0.01" H₂O increments from a minimum display of -0.20" H₂O to a maximum display of 0.20" H₂O. If a pressure level higher than 0.20" H₂O is recorded, **Hi** is displayed.

Displaying the highest temperature / pressure recorded:

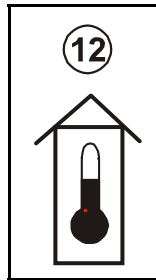
- rotate the Selector dial to position (11)

Clearing the high temperature / pressure value

- quickly rotate the Adjustor dial counterclockwise, then clockwise.

CLr will be briefly displayed on the CPS-1.

TEMPERATURE PRESSURE DISPLAY



This function displays the ambient room temperature or static pressure of the room.

If a temperature probe is installed, the ambient temperature is displayed to the nearest 0.5 degree from a minimum display of 42.0°F (5.5° C) to a maximum display of 111°F (44.0°C). If the temperature is lower than 42.0°F, **Lo** is displayed. If the temperature is higher than 111°F, **Hi** is displayed.

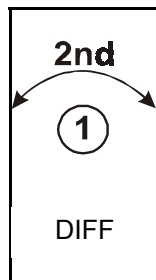
If a static pressure probe is installed, the static pressure is displayed to the nearest 0.01" H₂O from a minimum display of -0.20" H₂O to a maximum display of 0.20" H₂O. If the pressure is lower than -0.20" H₂O, **Lo** is displayed. If the temperature is higher than 0.20" H₂O, **Hi** is displayed.

Viewing the ambient temperature / pressure:

- rotate the Selector dial to position (12)

The ambient temperature / pressure is displayed on the CPS-1.

ACTUATOR MOTOR DIFFERENTIAL



In order to minimize erratic behavior of the actuator motor when the ambient room temperature or static pressure is exactly at the main set point, the differential setting separates this ON / OFF threshold into two: one ON threshold and one OFF. This feature greatly reduces equipment wear.

The temperature / pressure difference between the two thresholds is the differential.

When a temperature probe is installed, the differential is adjusted in 0.5 degree increments from a minimum setting of 0.0°F (0.0°C) to a maximum setting of 16°F (8°C) degrees.

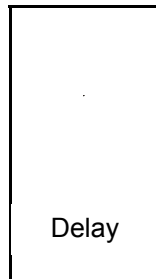
When a pressure probe is installed, the differential is adjusted in 0.01"H₂O increments from a minimum setting of 0.00"H₂O to a maximum setting of 0.05"H₂O.

Adjusting the differential setting:

- rotate the Selector dial to position (12),
- rapidly rotate the Adjustor dial back and forth to enter secondary function mode,
- rotate the Selector dial to position (1),
- rotate the Adjustor dial counterclockwise to decrease the setting, and clockwise to increase it.

The differential setting is displayed on the CPS-1.

OPEN DELAY TIMER



The open delay timer establishes the delay interval between the time the control determines that an actuator motor should open, and the time that the signal is actually sent.

The open delay timer is adjusted in 5 second increments from a minimum setting of 5 seconds, to a maximum setting of 9 minutes 55 seconds.

Adjusting the open delay timer:

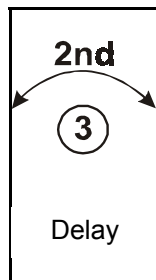
- rotate the Selector dial to position (12),
- rapidly rotate the Adjustor dial back and forth to enter secondary function mode,
- rotate the Selector dial to position (2),
- rotate the Adjustor dial counterclockwise to decrease the delay, and clockwise to increase it.

The delay timer is displayed on the CPS-1.

Example:

The open delay timer is set to 1 minute. The actuator motor, when called upon to open the air inlet, will operate after 1 minute has passed.

CLOSE DELAY TIMER



The close delay timer establishes the delay interval between the time the control determines that an actuator motor should close, and the time that the signal is actually sent.

The close delay timer is adjusted in 5 second increments from a minimum setting of 5 seconds, to a maximum setting of 9 minutes 55 seconds.

Adjusting the close delay timer:

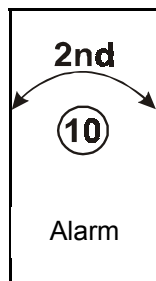
- rotate the Selector dial to position (12),
- rapidly rotate the Adjustor dial back and forth to enter secondary function mode,
- rotate the Selector dial to position (3),
- rotate the Adjustor dial counterclockwise to decrease the delay, and clockwise to increase it.

The delay timer is displayed on the CPS-1.

Example:

The close delay timer is set to 1 minute. The actuator motor, when called upon to close the air inlet, will operate after 1 minute has passed.

LOW TEMPERATURE / PRESSURE ALARM



This function establishes the temperature / pressure **difference** below the main set point that the room can reach before a low temperature alarm is signalled. When a low temperature / pressure alarm occurs the alarm relay is activated and the alarm LED lights on the CPS-1.

When a temperature probe is installed the low temperature alarm is adjusted in 0.5 degree increments from a minimum setting of -30.0°F (-18.0°C) to a maximum setting of 0.0°F (0.0°C)

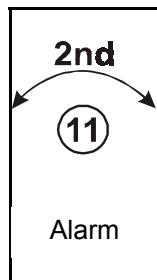
When a pressure probe is installed the low pressure alarm is adjusted in 0.01" H₂O increments from a minimum setting of -0.10" H₂O to a maximum setting of 0.00 " H₂O.

Adjusting the low temperature / pressure alarm setting:

- rotate the Selector dial to position (12),
- rapidly rotate the Adjustor dial back and forth to enter secondary function mode,
- rotate the Selector dial to position (10),
- rotate the Adjustor dial counterclockwise to decrease the setting, and clockwise to increase it.

The low temperature alarm setting is displayed on the CPS-1.

HIGH TEMPERATURE / PRESSURE ALARM



This function establishes the temperature / pressure **difference** above the main set point that the room can reach before a high temperature / pressure alarm is signalled. When a high temperature / pressure alarm occurs the alarm relay is activated and the alarm LED lights on the CPS-1.

When a temperature probe is installed the high temperature / pressure alarm is adjusted in 0.5 degree increments from a minimum setting of 0.0°F (0.0°C) to a maximum setting of 30.0°F (18.0°C).

When a pressure probe is installed the high pressure alarm is adjusted in 0.01" H₂O increments from a minimum setting of 0.0 " H₂O to a maximum setting of 0.10 " H₂O.

Adjusting the high temperature / pressure alarm setting:

- rotate the Selector dial to position (12),
- rapidly rotate the Adjustor dial back and forth to enter secondary function mode,
- rotate the Selector dial to position (11),
- rotate the Adjustor dial counterclockwise to decrease the setting, and clockwise to increase it.

The high temperature alarm setting is displayed on the CPS-1.

TROUBLESHOOTING

SYMPTOM	CAUSE and REMEDY
Lo is continually displayed	<ul style="list-style-type: none">- Temperature or pressure is below minimum.- Probe is disconnected or defective.
Hi is continually displayed	<ul style="list-style-type: none">- Temperature or pressure is above maximum.- Probe is short circuited.
Actuator motor is not operating	<ul style="list-style-type: none">- Verify whether the appropriate stage LED is on yet the actuator motor is not operating. Verify wiring and device
Display is blank	<ul style="list-style-type: none">- Verify that the line voltage selector switch is properly set.- Verify that the 10 pin flat cable between the main board and the faceplate board is properly connected.

SPECIFICATIONS

DESCRIPTION	VALUE
INPUT POWER	<ul style="list-style-type: none">- 6 W- 115/230 VAC- 50 / 60 Hz
STAGE 1 (relay 1 and 2) Not Fused	<ul style="list-style-type: none">- 10 AMP ; 115V/230V- 1/2 HP @ 115V- 1 HP @ 230V- Min. Rating 10mA at 115V*- 20mA at 230V*
ALARM (dry relay contact)	<ul style="list-style-type: none">- 6 AMP; 30V AC/DC

* Relay will not function properly if load is smaller than the min. value.

Storage temperature: 0 to 70°C (32 to 158°F)

Operation temperature: 0 to 50°C (32 to 122°F)

Weight: 1 Kg (2.2 pounds)

Dimension: 97x163x145mm (3.80x6.40x5.70")

RECORD FORM

Dial	Option	Default setting		User setting
1	Main Set Point	77°F	25°C	
		0.02" H ₂ O		
2	Open Run Timer	3 seconds		
3	Close Run Timer	3 seconds		

2nd Function

1	Actuator Motor Differential	2.0°F	1.0°C	
		0.02" H ₂ O		
2	Open Delay Timer	2 minutes		
3	Close Delay Timer	2 minutes		
10	Lo Temperature/Pressure Alarm	-9.0°F	-5.0°C	
		-0.05" H ₂ O		
11	Hi Temperature/Pressure Alarm	20.0°F	12.0°C	
		0.05" H ₂ O		

Limited Warranty

The manufactured equipment and supplied components have gone through rigorous inspection to assure optimal quality of product and reliability. Individual controls are factory tested under load, however the possibility of equipment failure and/or malfunction may still exist.

For service, contact your local retailer or supplier. The warranty period shall be for two years from manufacturing date. Proof of purchase is required for warranty validation.

In all cases, the warranty shall apply only to defects in workmanship and specifically exclude any damage caused by over-voltage, short circuit, misuse, acts of vandalism, fortuitous events, acts of God, flood, fire, hail, lightning or any other natural disaster. Any unauthorized work, modification or repair on this product automatically voids the warranty and disclaims the manufacturer from all responsibility.

The manufacturer assumes only those obligations set forth herein, excluding all other warranties or obligations. This warranty stipulates that in all cases the manufacturer shall be liable only for the supply of replacement parts or goods and shall not be liable for any personal injury, damages, loss of profits, interrupted operations, fine contravention of the law or damages to the production of the PURCHASER and the PURCHASER shall take up the defense and hold the manufacturer faultless regarding any legal or extra legal proceedings, notice, or claim by the customer or by a third party, and regarding any legal and extra legal expenses and fees brought forward on by such damages.

MAV CPS-1 Ver: 3.1
Rev. 04 juin 2001
2-wire DC actuator